

اسئلة سنوات

استاتيكا

Statics



facebook.com/groups/roads.bridges.group



twitter.com/civilteampoly



youtube.com/user/civilteampoly




ask.fm/civilteampoly

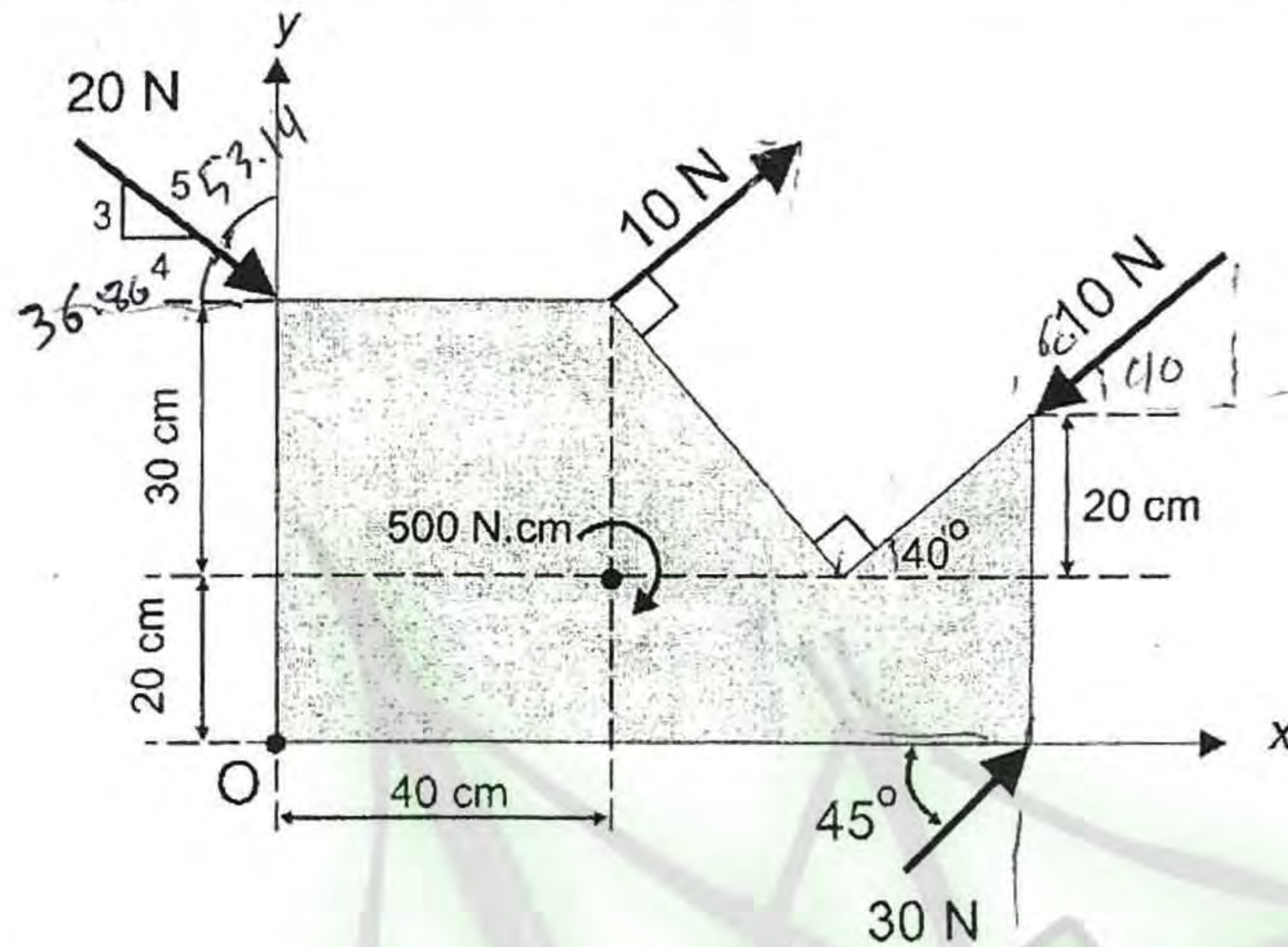


0785705188

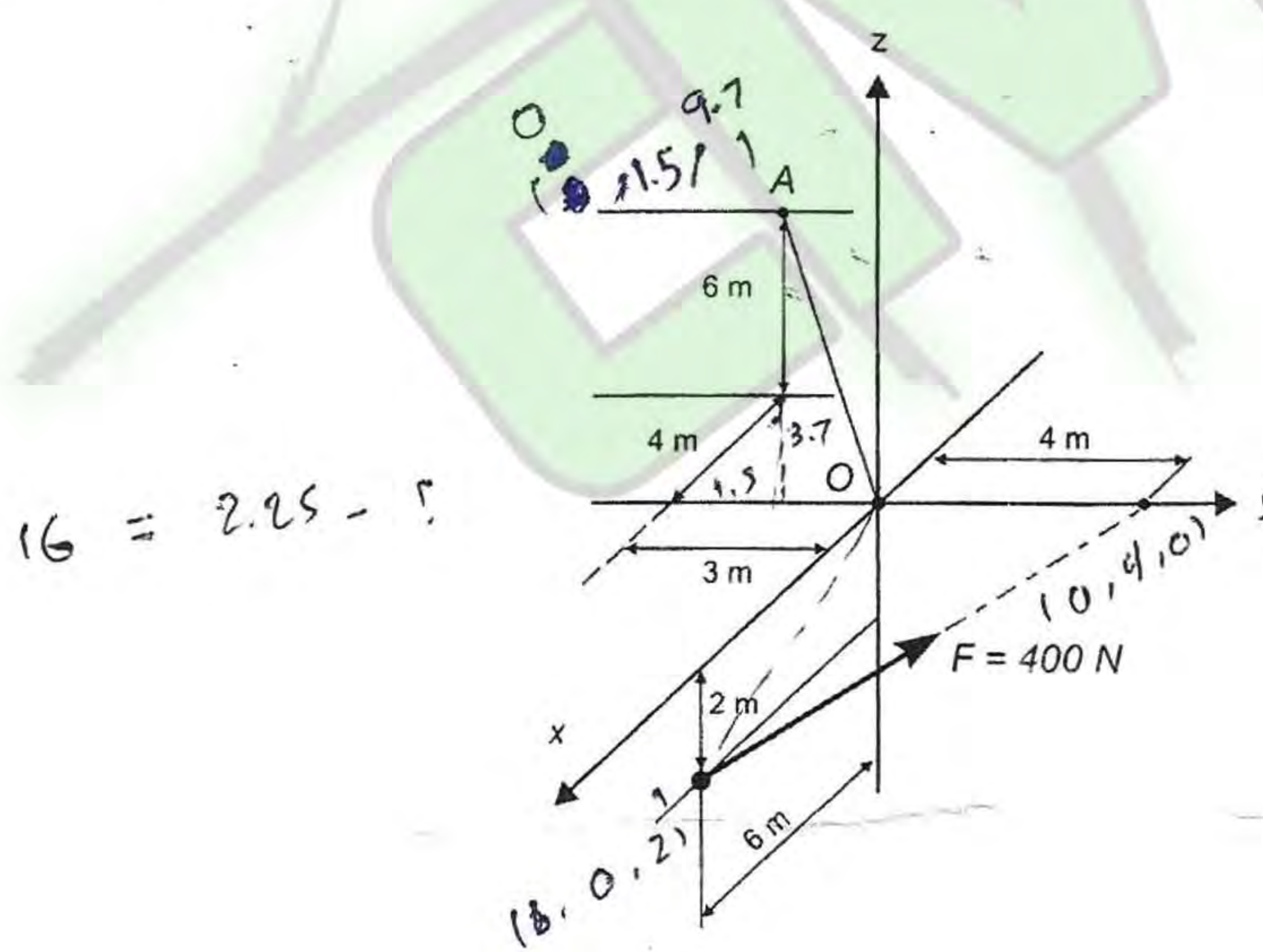


Al-Balqa` Applied University Faculty of Engineering Department of Road and Bridge Engineering	
رقم الطالب :	اسم الطالب :
وقت المحاضرات :	مدرس الشعبة :

Statics
First Exam – 2nd November 2011



- Q 1-** For the forces and couple moment that act on the body above, calculate the following: (10 Marks)
- (a) The magnitude of the resultant force (3 Marks)
 - (b) The direction of the resultant force (3 Marks)
 - (c) The moment of the system about point O (4 Marks)



- Q 2-** Force F is acting along the direction shown above. Determine the following: (10 Marks)
- (a) The force F expressed as a Cartesian vector is (3 Marks)
 - (b) The moment of F about point O , M_O , expressed as a Cartesian vector is (3 Marks)
 - (c) The magnitude of the moment about the axis OA is (4 Marks)