

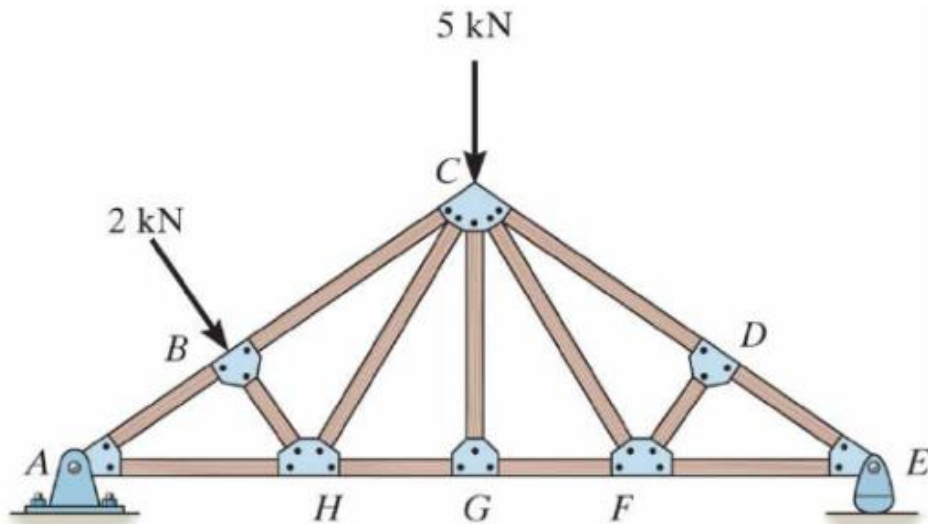
**ENCE 3331, Structural Analysis I**

**Revision Homework assignment**

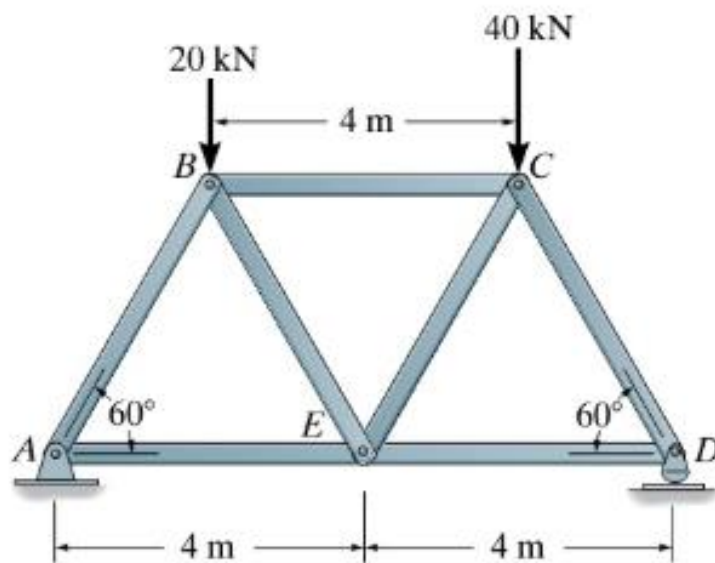
---

**Question 1:** For the truss systems shown below:

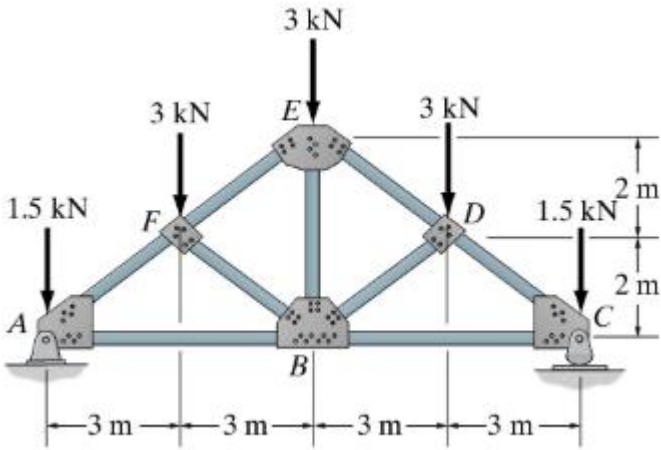
- Identify zero force members.
- Identify members in tension, Identify members in compression.



**Question 2:** Determine the internal forces in all members of the following trusses:



**Question 3:** Determine the internal forces in Members FE, BD, and CD.



**Question 4:** For the following beams:

- Draw shear and moment diagram and indicate key values.
- Determine the shear and moment in the beam as a function of x. (Bonus)

