

Birzeit University
Faculty of Engineering
Department of Civil and Environmental Engineering

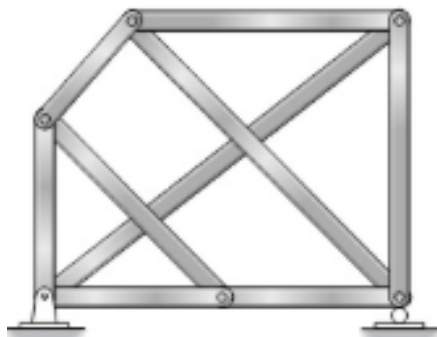
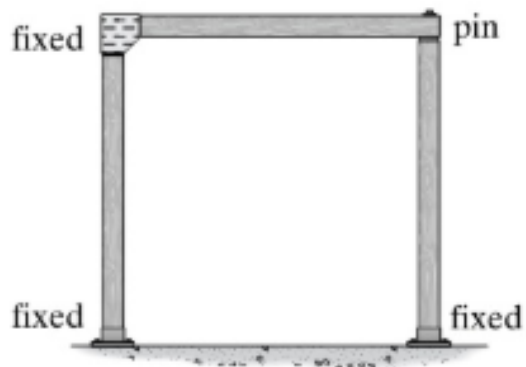
ENCE 3331, Structural Analysis I

Homework assignment #1

Due on Tuesday, March. 3rd, 2020 @ 8:30 AM.

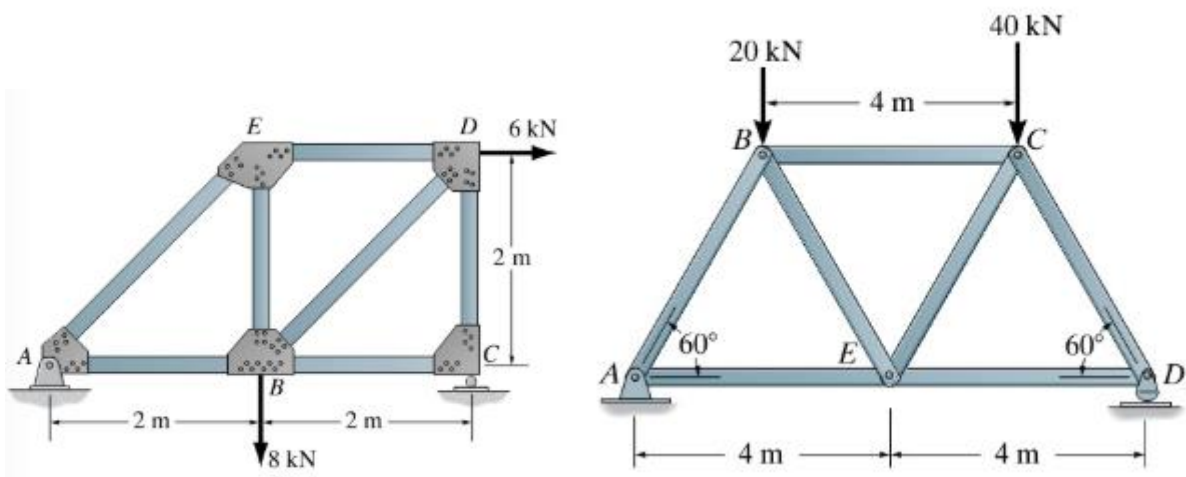
Question 1:

Determine whether the Following Structures are stable/unstable, Determinate/indeterminate?

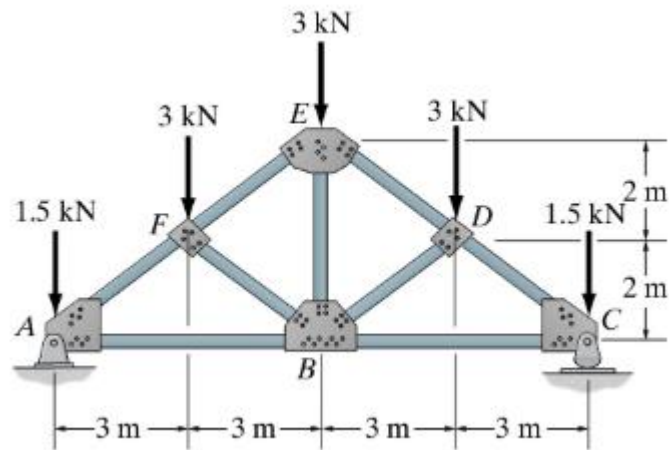


Question 2:

Determine the internal forces in all members of the following trusses:



Determine the internal forces in Members FE, BD, and CD.



Question 3:

For the following beams:

- Sketch the deflected shape
- Draw shear and moment diagram and indicate key values
- Determine the shear and moment in the beam as a function of x .

