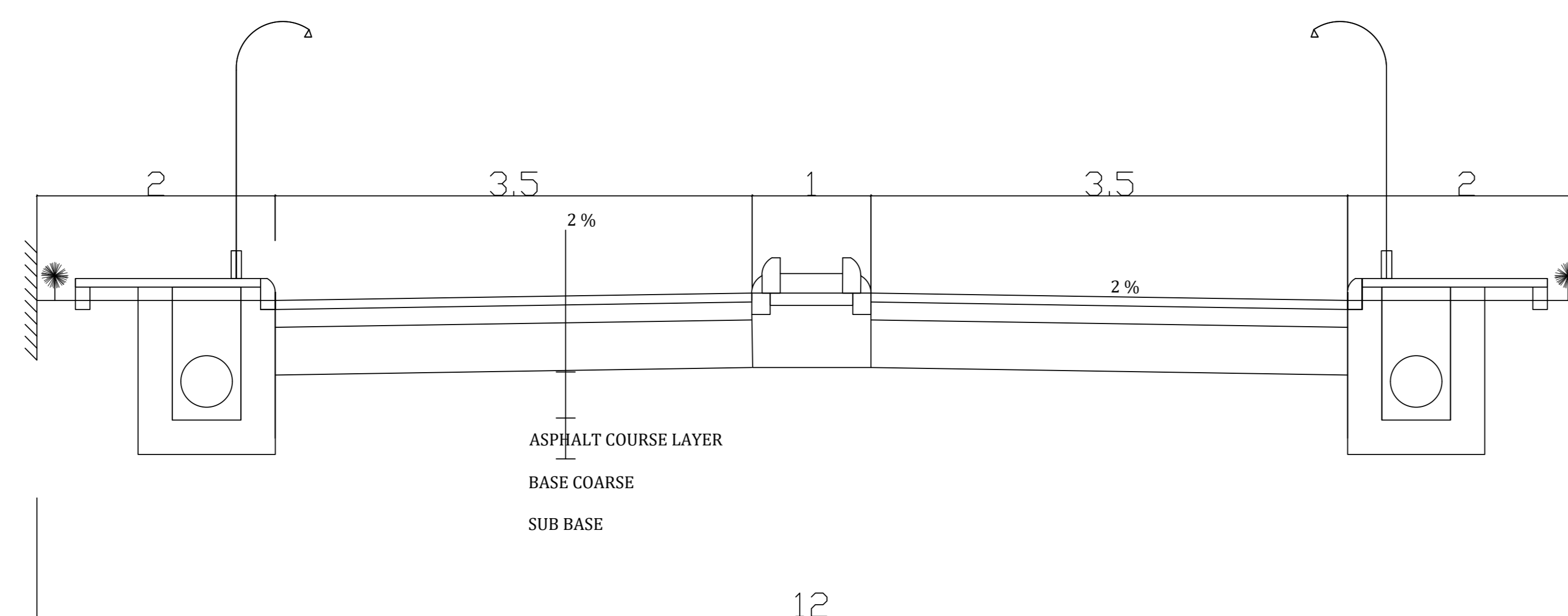


MAIN ROAD VERTICAL PROFILE



TYPICAL CROSS SECTION

