



FACULTY OF INFORMATION TECHNOLOGY

COMPUTER SYSTEMS ENGINEERING DEPARTMENT

DIGITAL ELECTRONICS AND COMPUTER ORGANIZATION LAB (ENCS 211)

Prelab - Experiment IV

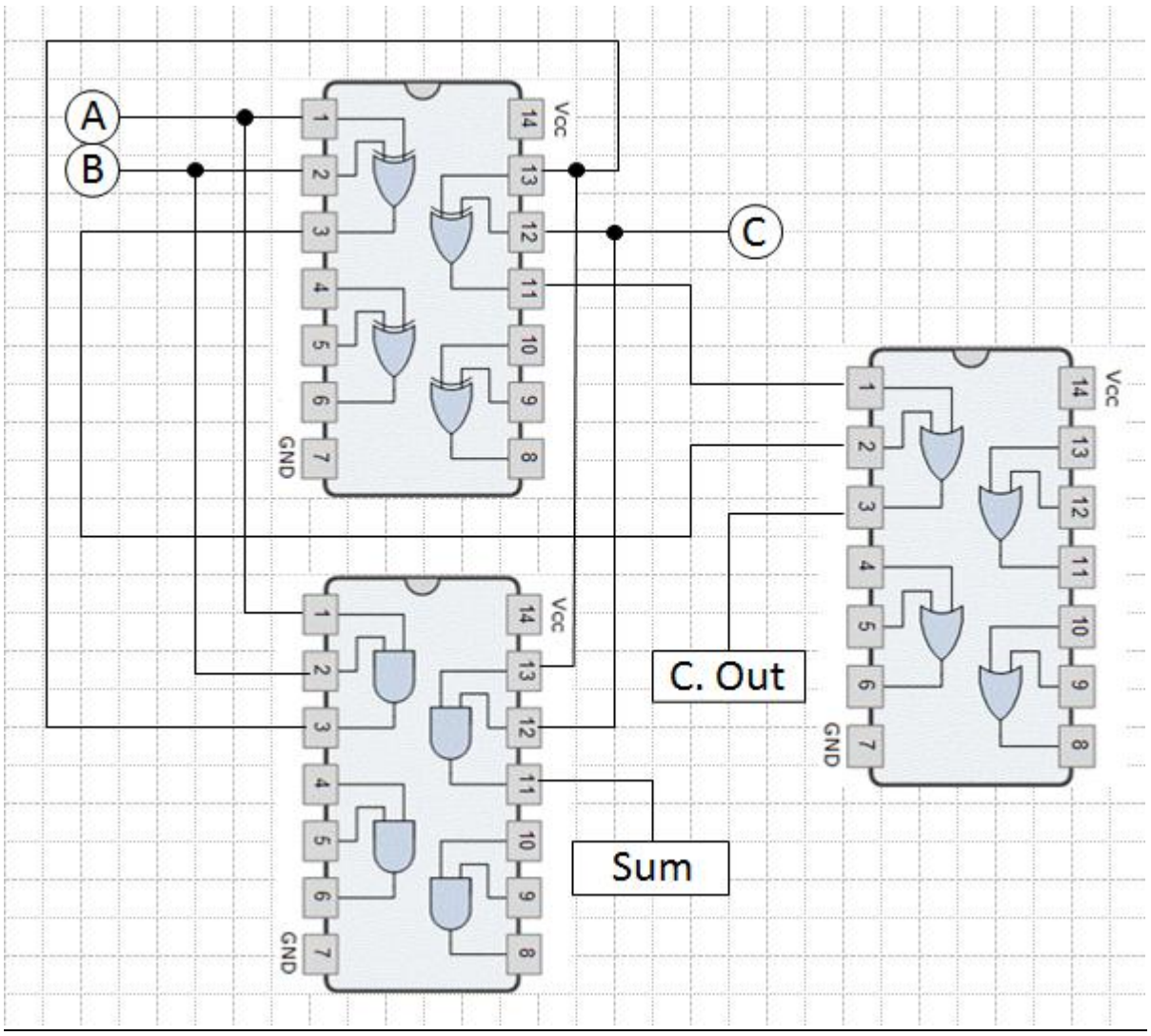
Digital Circuit Implementations Using Breadboard

**Prepared for: Ms. Bayan Nimer
Teaching Assistant: Mus'ab B'airat**

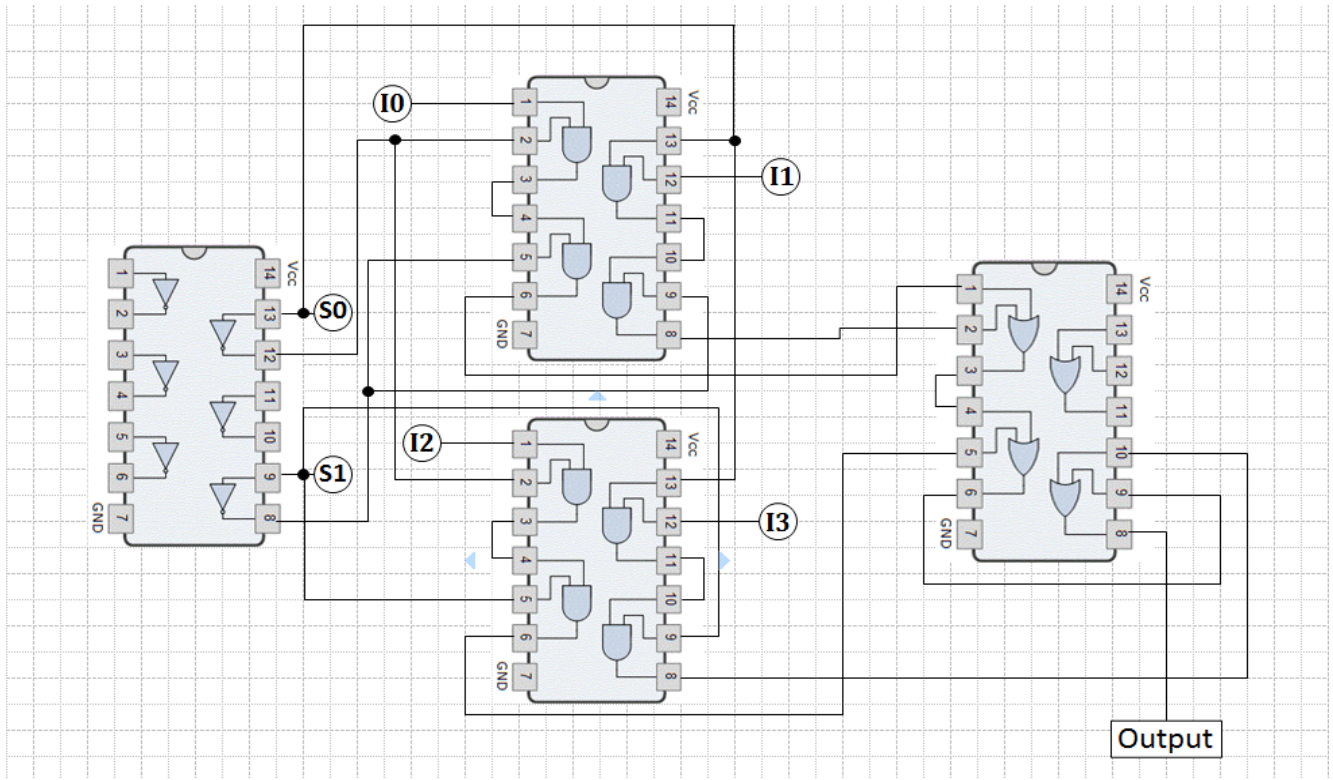
**Student Name: Baibers Qasem
Student Number: 1082092**

Due to: 04-11-2013

1. Full Adder:



2. 4x1 Multiplexer:



3. 2-to-4 Active Low Decoder:

