



**FACULTY OF INFORMATION TECHNOLOGY**

**COMPUTER SYSTEMS ENGINEERING DEPARTMENT**

**DIGITAL ELECTRONICS AND COMPUTER ORGANIZATION LAB (ENCS 211)**

**Report - Experiment VII**

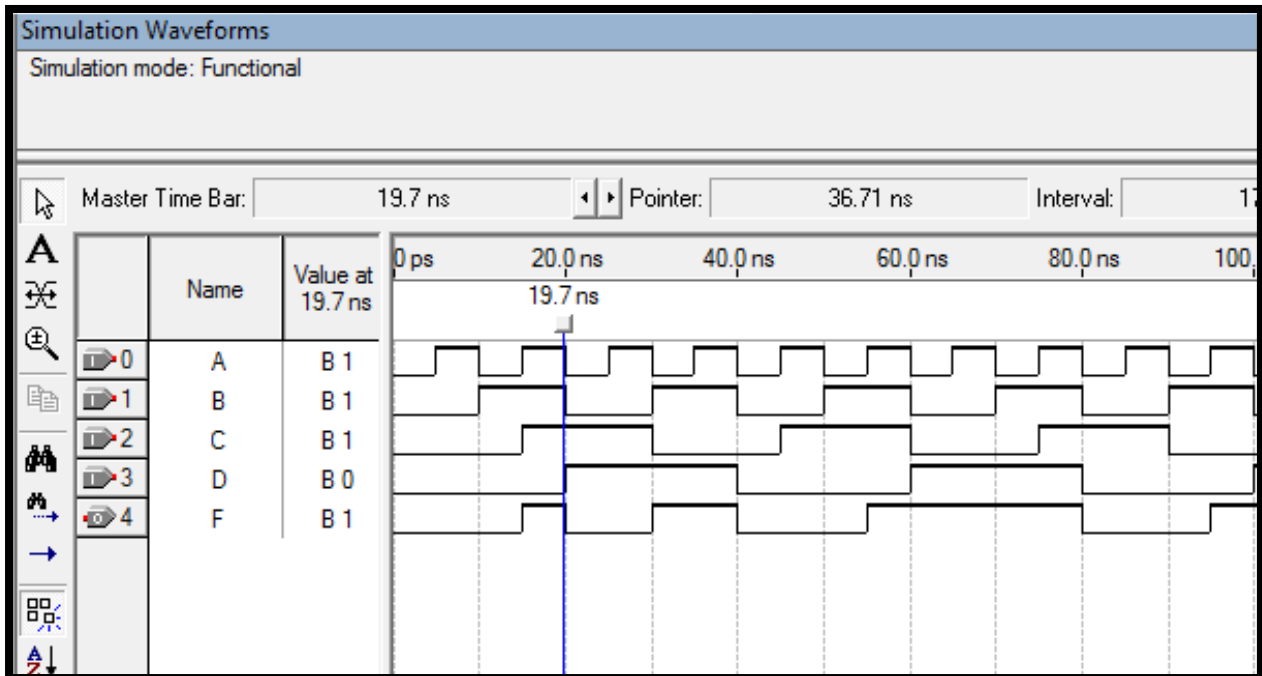
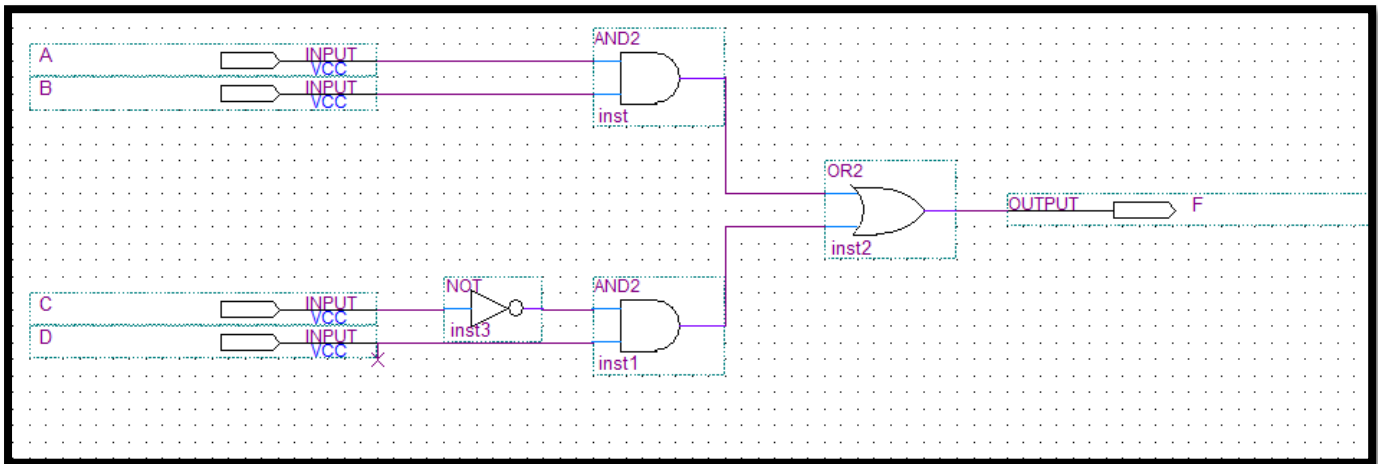
# **Introduction to QUARTUSII Software**

**Prepared for: Ms. Bayan Nimer  
Teaching Assistant: Mus'ab B'airat**

**Student Name: Baibers Qasem  
Student Number: 1082092**

**Due to: 25-11-2013**

1. function  $F=AB+C'D$ :



## 2. Full Adder:

```
1  module Full_Adder (sum,c_out,x,y,c_in);
2
3  input x, y, c_in;
4  output sum, c_out;
5  wire w1,w2,w3;
6
7  xor (w1,x,y);
8  and (w2,x,y);
9  xor (sum,c_in,w1);
10 and (w3,c_in,w1);
11 or (c_out,w2,w3);
12
13 endmodule
```

