

Obada Tahayna 1191319

Fig2.1: Comparator

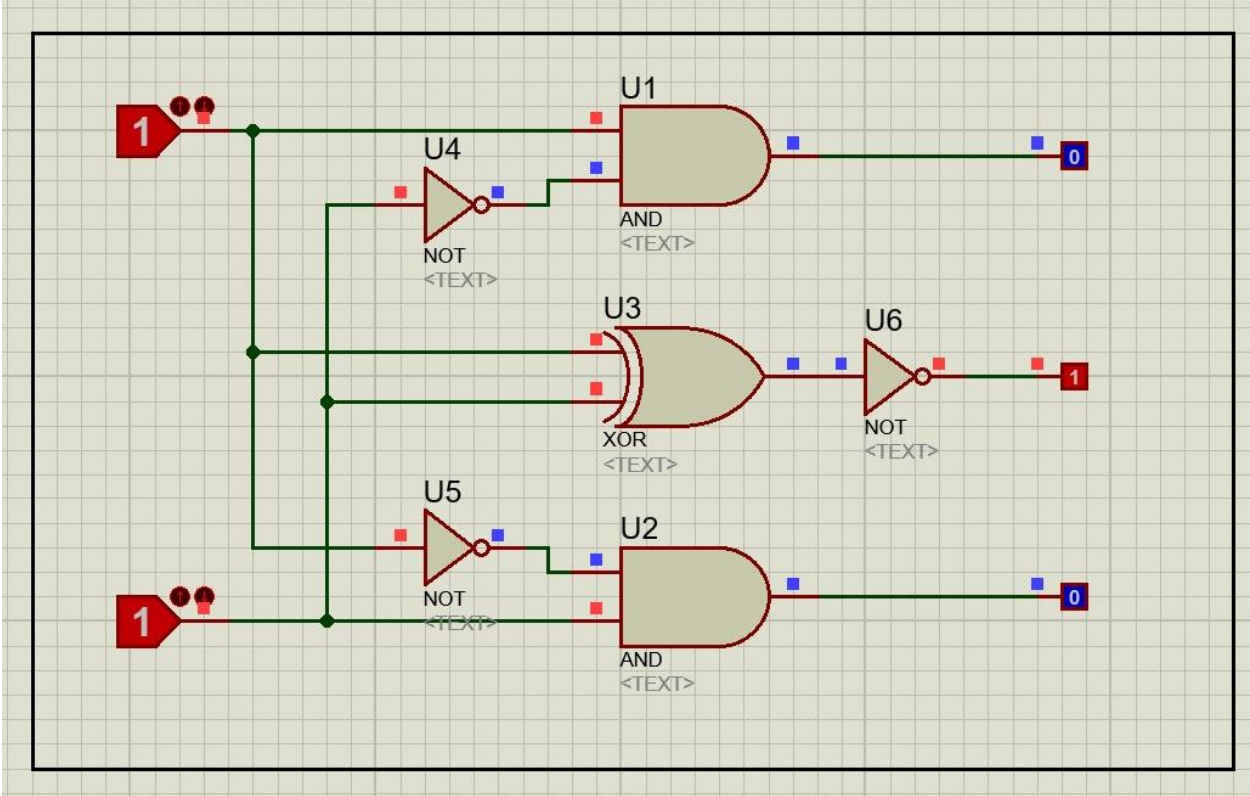


Fig 2.3: Half – and full- adders

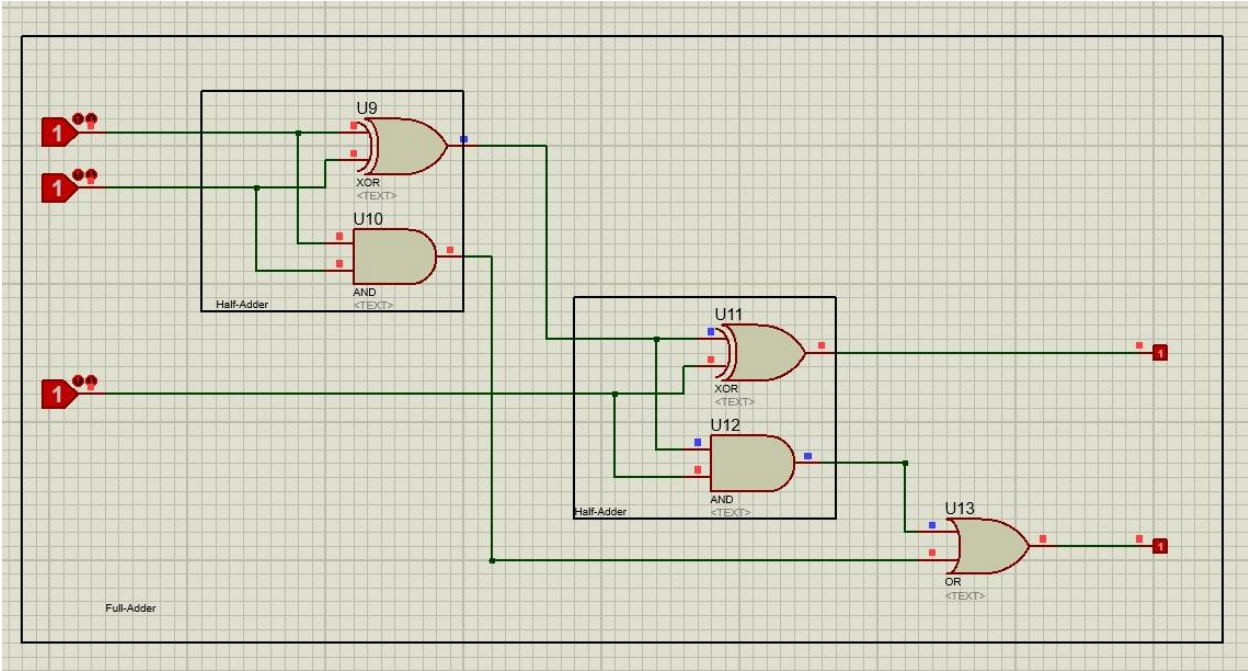
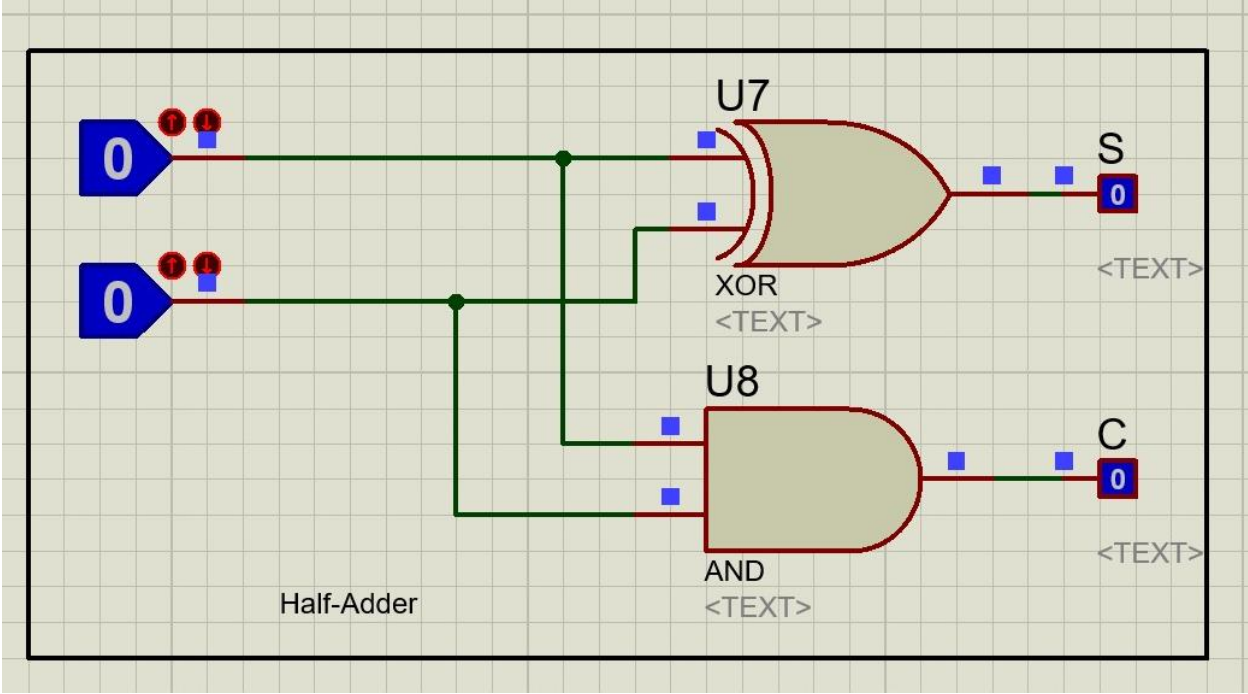


Fig 2.4: Half-Subtractor

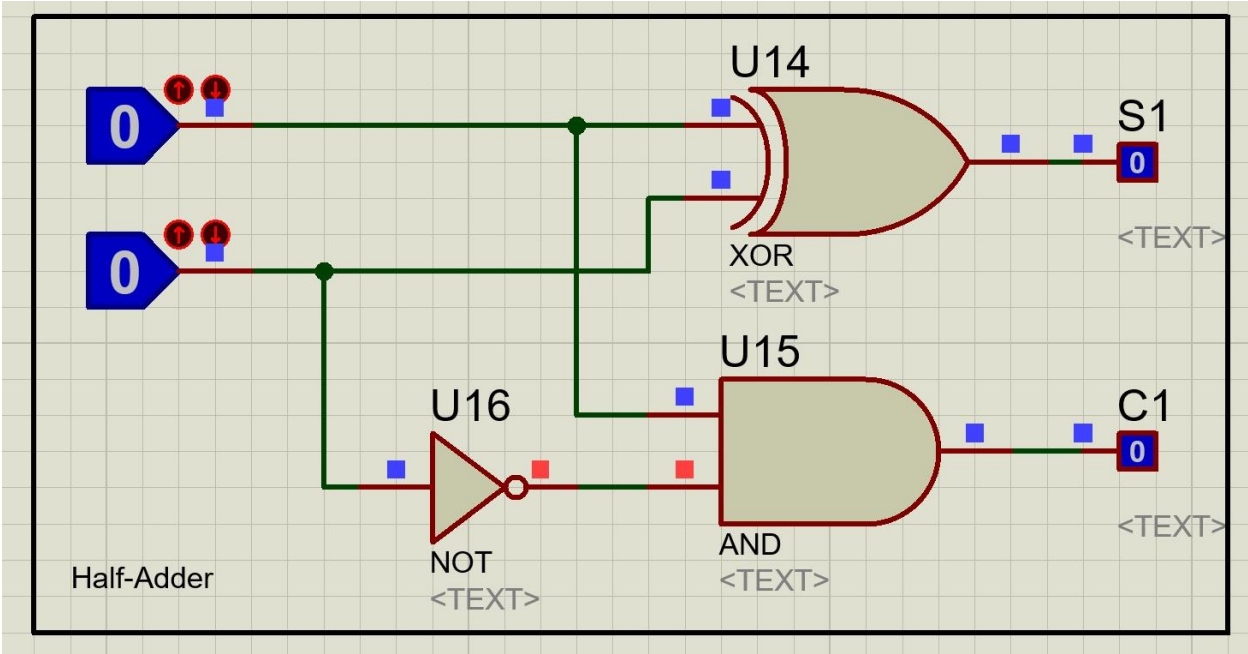


FIG 2.5: Full-Subtractor

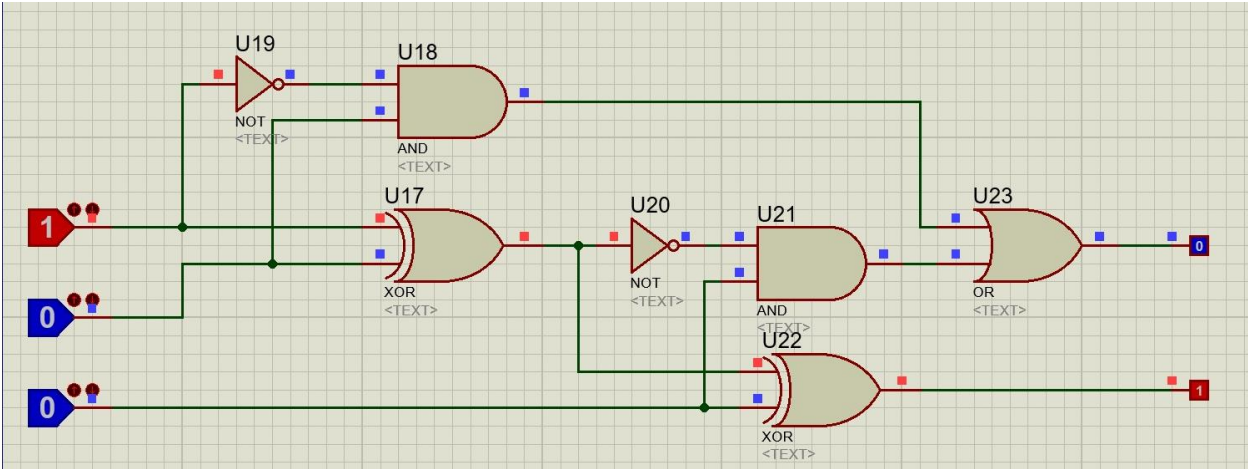


Fig 2.11: Wiring Diagram (IT-3003 Full-Adder block)

