



**Faculty of Engineering and Technology  
Electrical and Computer Engineering  
Department**

**ENEE2102  
CIRCUITS LAB**

**Student's name: Anas abdelhalim tomaizeh**

**Student's number: 1152325**

**Pre lab**

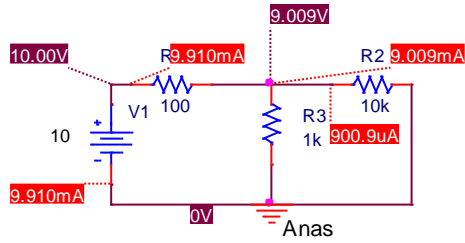
**17/12/2017**

**Eng: Qais samara**

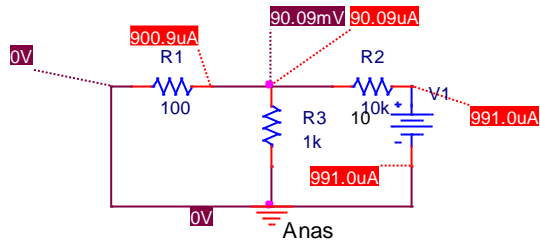
**DR: Hakam shhada**

Q1)

case one:  $V_2=0$

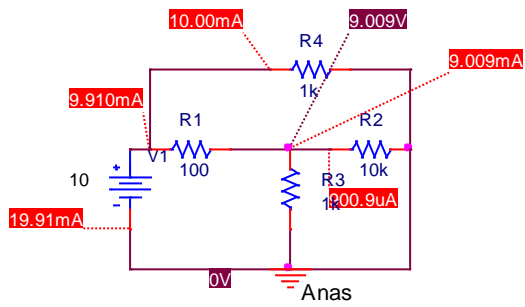


Case two:  $V_1=0$

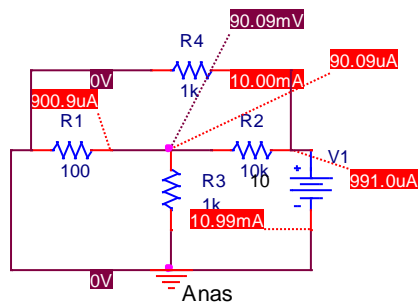


Q2)

Case 1:  $V_2=0$

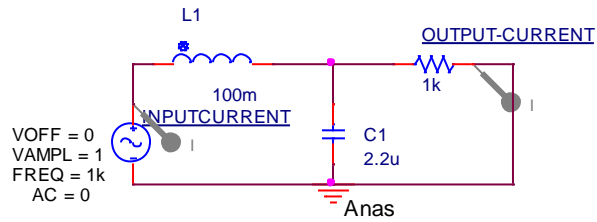


Case2:  $V_1=0$

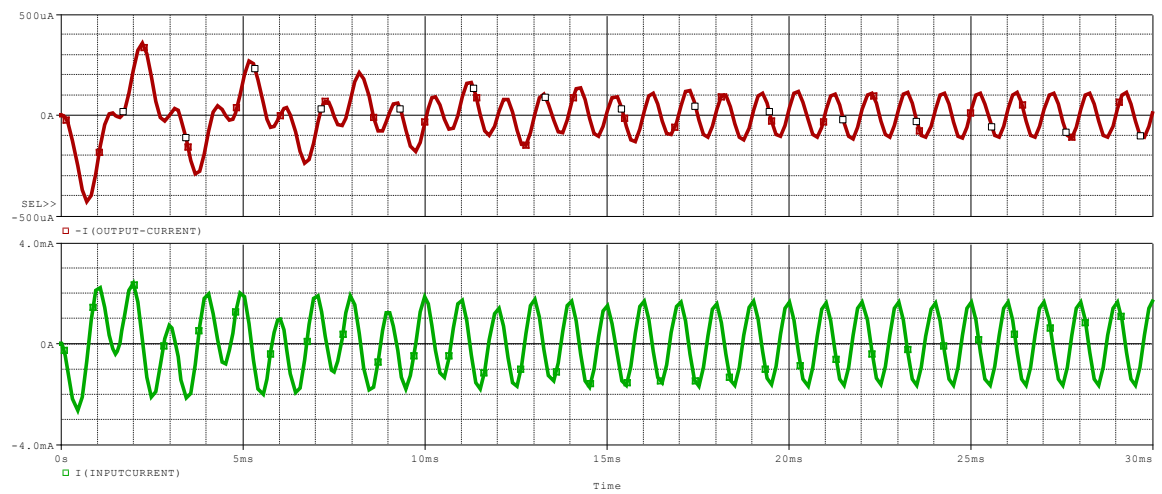


### Q3)

#### Case 1 : $v_2=0$



The result:



Case 2: V1 is open:

