



**Faculty of Engineering and Technology
Electrical and Computer Engineering
Department**

**ENEE2102
CIRCUITS LAB**

Student's name: Anas abdelhalim tomaizeh

Student's number: 1152325

Experiment #3

Pre lab

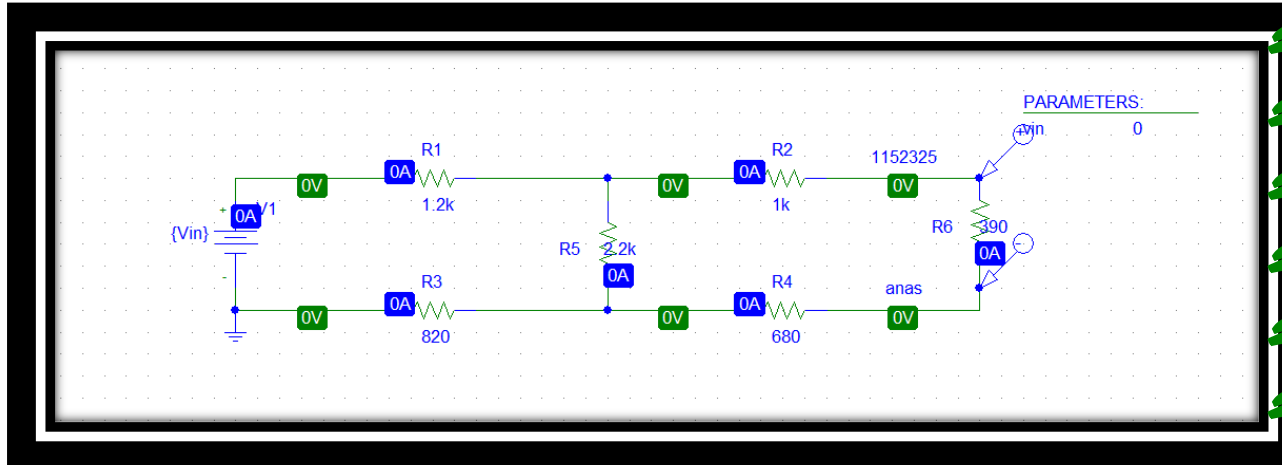
Date: 4/10/2017

Eng. Qais samara

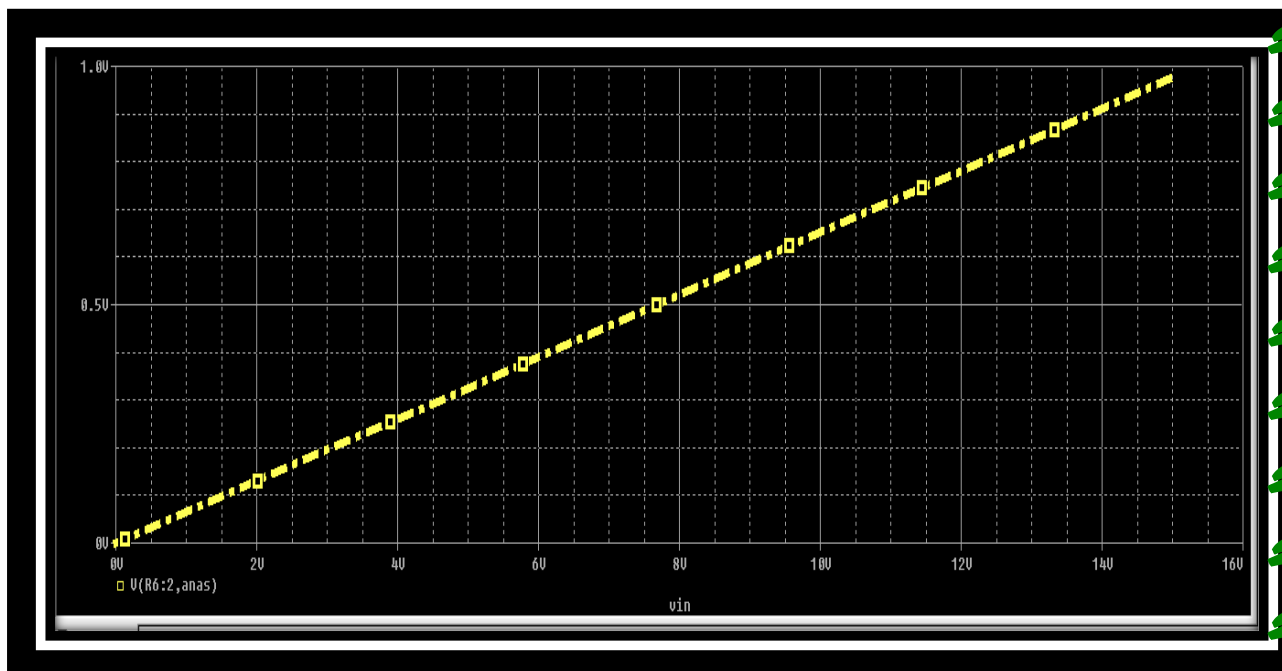
Dr. Hakam shehada

Part A: Proportionality:

Using pcspice:

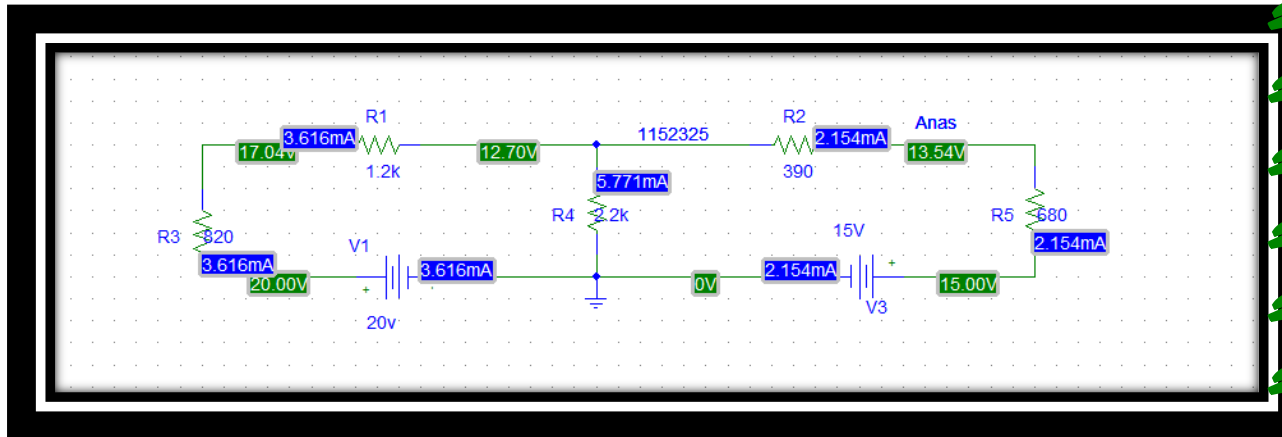


The result:

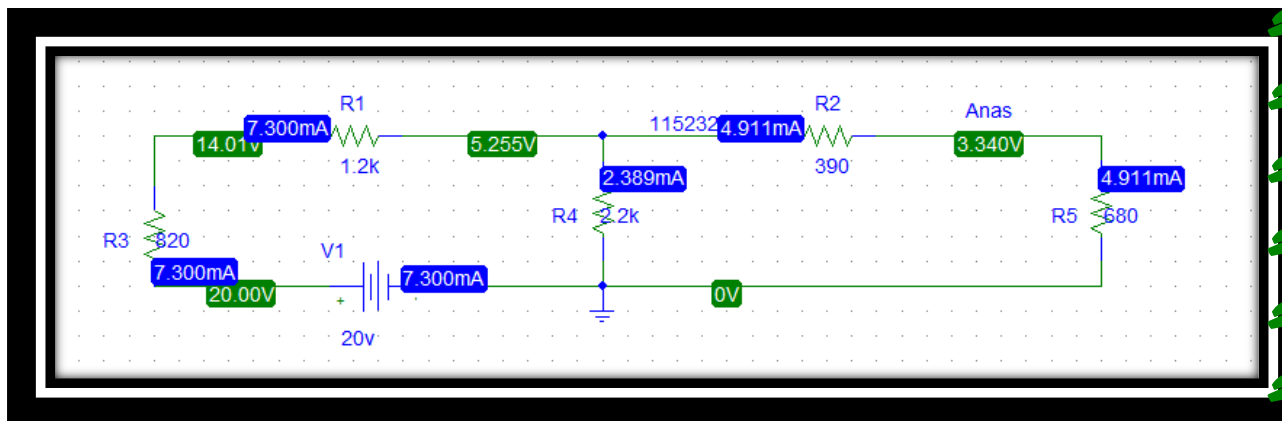


Part 2: Superposition. Using pcspice:

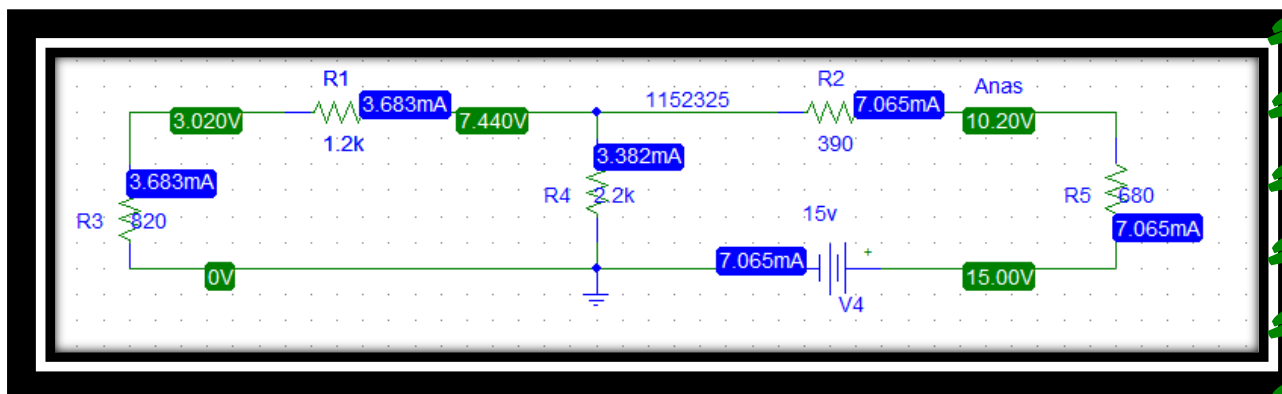
A)



B)

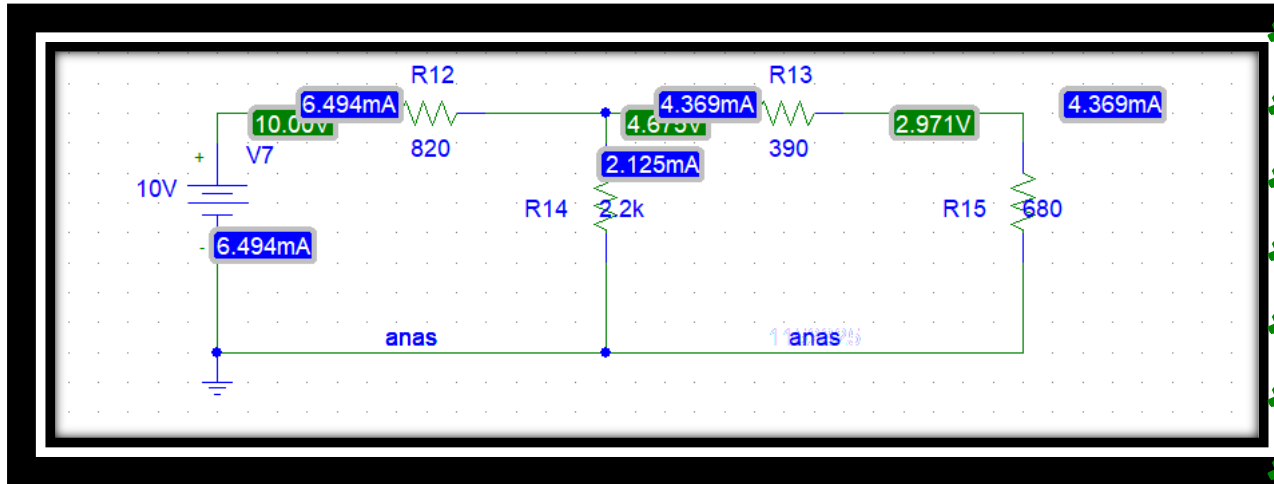


C)

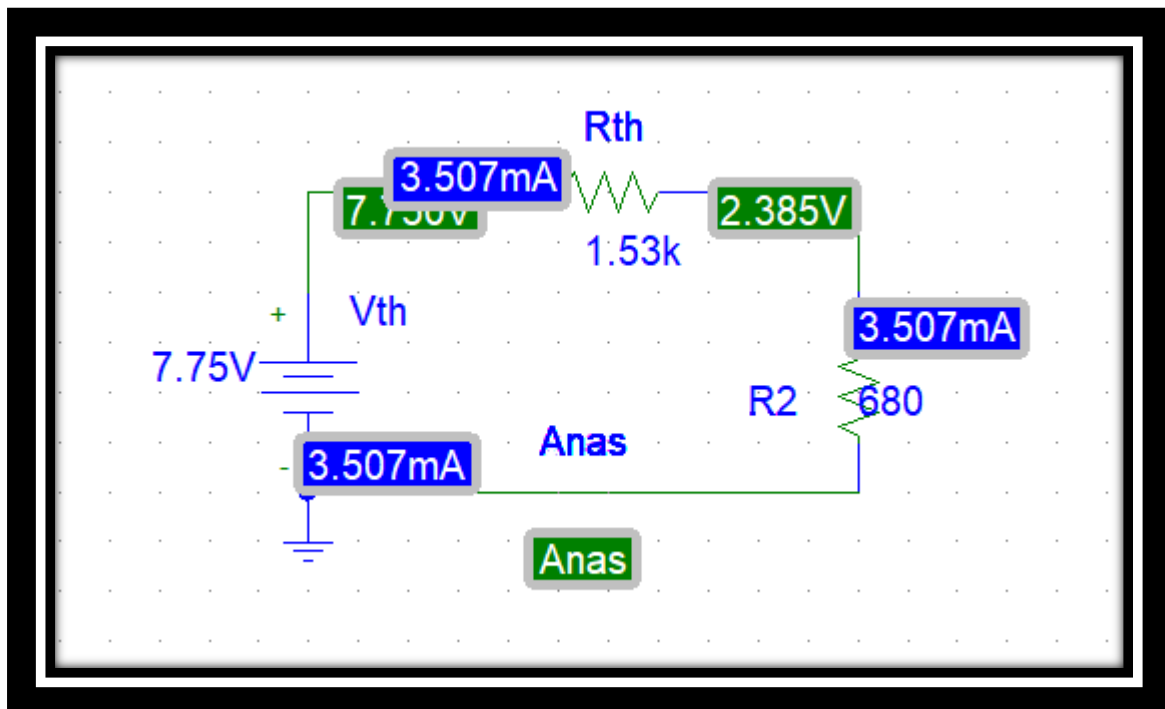


Part C: Thevenin's Theorem. Using pspice :

2)

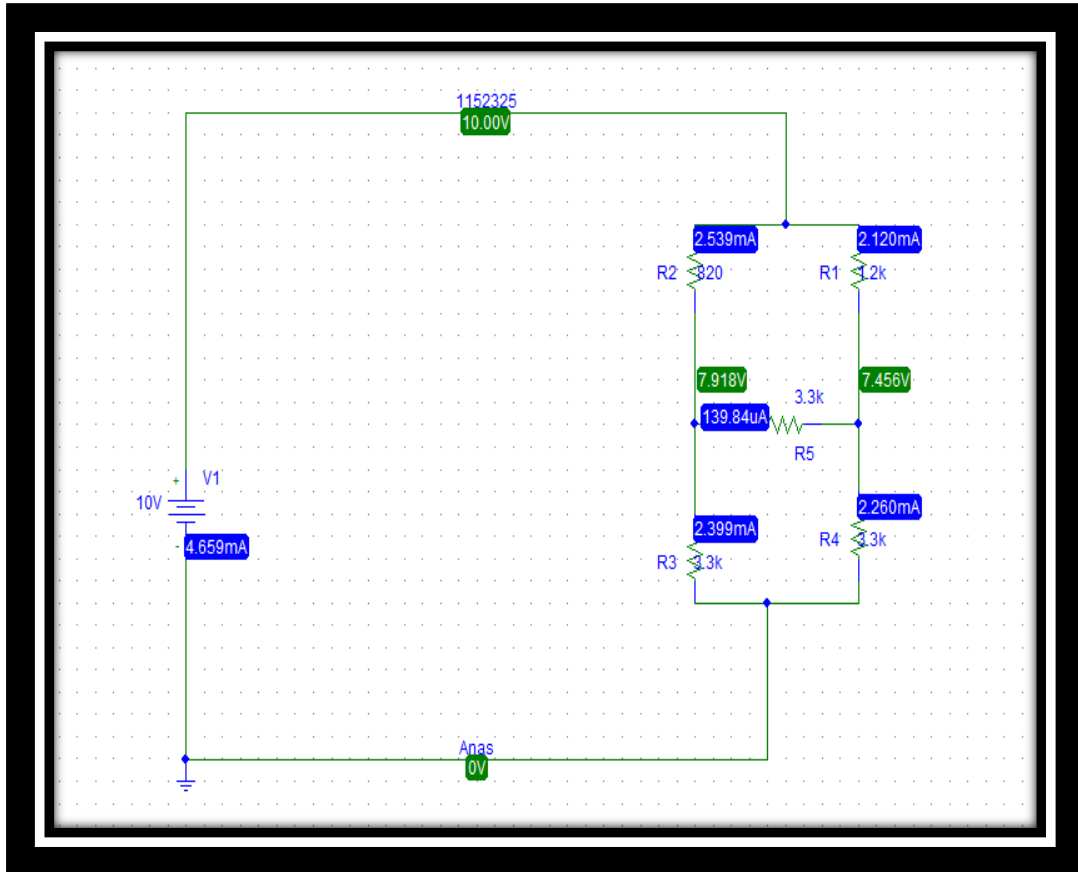


3)

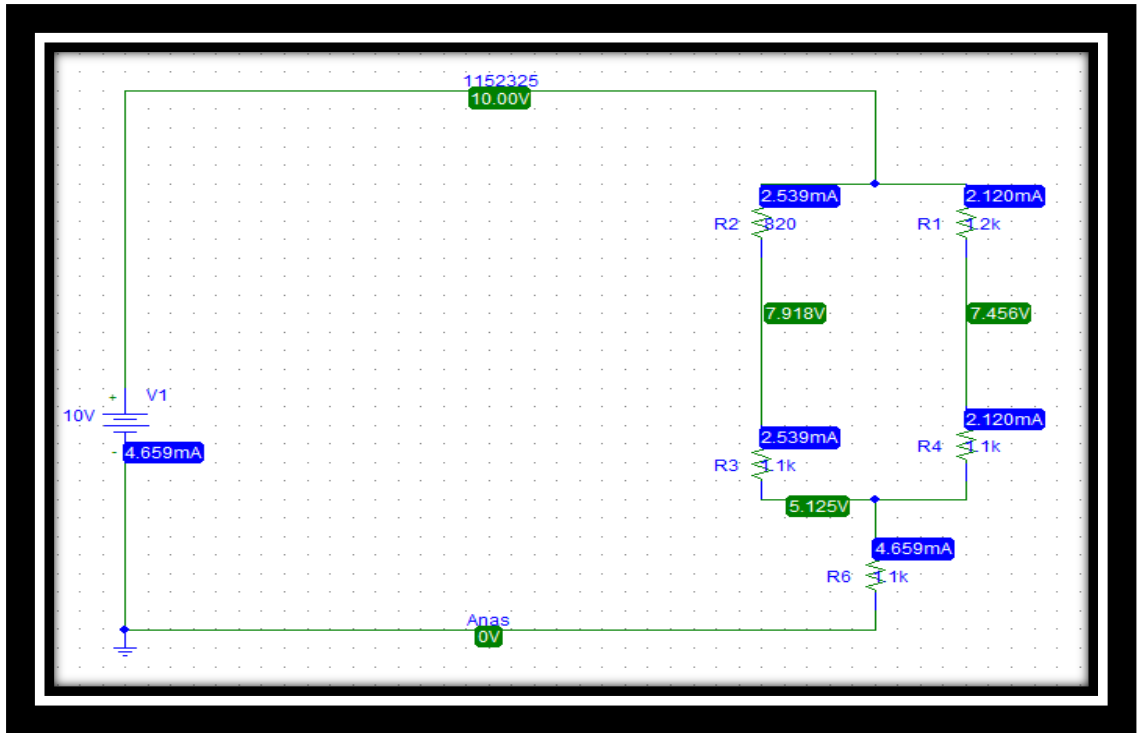


Part D: Δ -Y Transformation. Using pspice:

2)

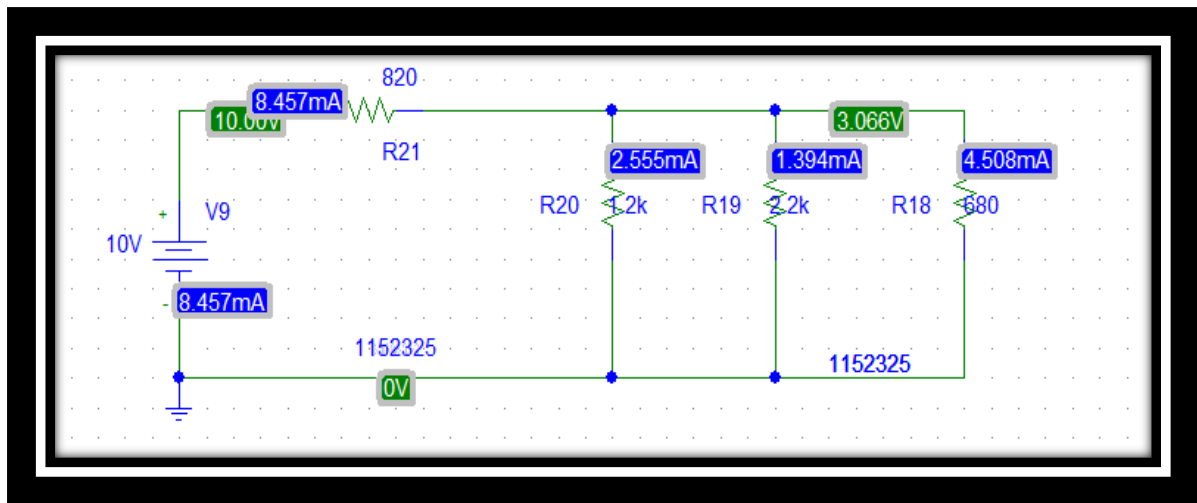


3)



Part E: Reciprocity Theorem. Using pspice :

1)



2)

