



**Faculty of Engineering and Technology
Electrical and Computer Engineering
Department**

**ENEE2102
CIRCUITS LAB**

Student's name: Anas abdelhalim tomaizeh

Student's number: 1152325

Experiment #2

Pre lab

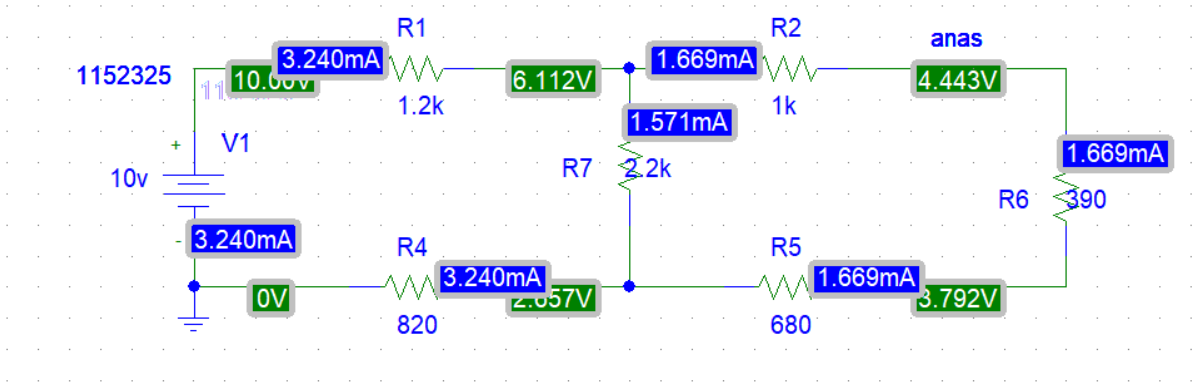
27/9/2017

Eng: Qais samara

DR: Hakam shhada

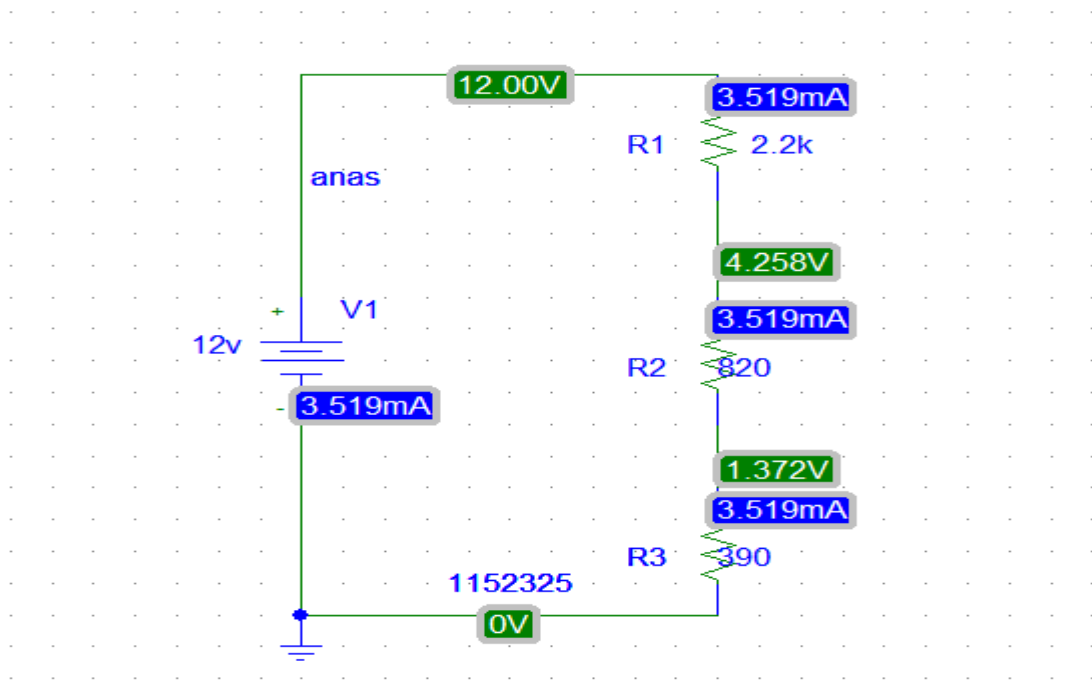
Part a: kirtshhof's law:

By pcprice:

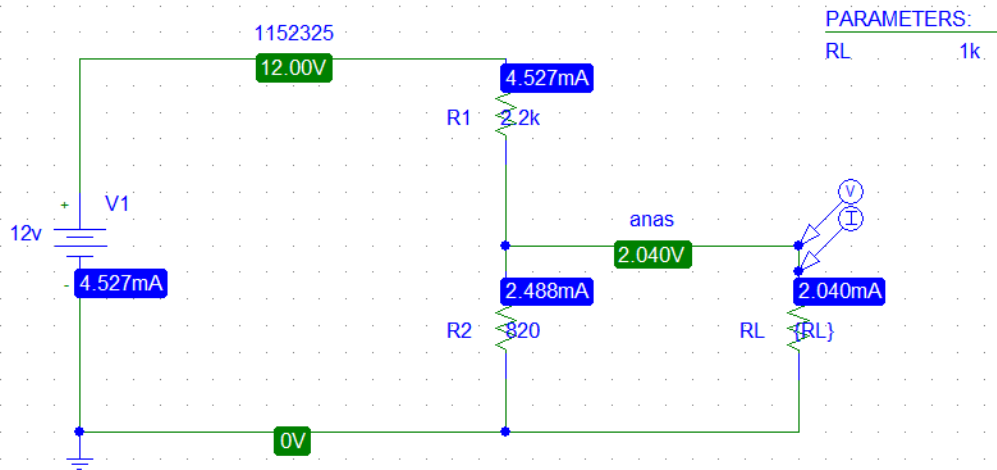


Part b: 1) voltage divider circuit:

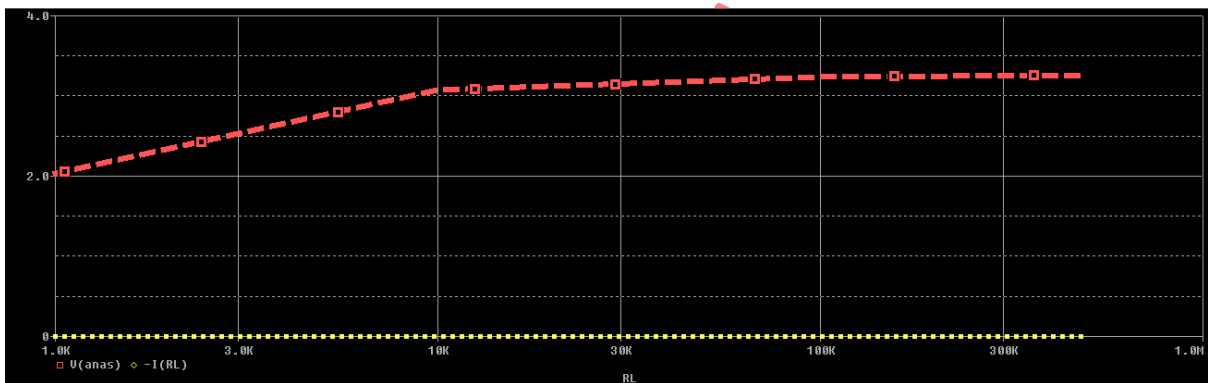
By pcprice:



3):b)



The result:



Part c: current divider:

Using pcspice:

