



Faculty of Engineering & Technology
Electrical & Computer Engineering Department

ENEE2103

PreLab#1

Prepared by : Tareq Shannak

ID Number : 1181404

Instructor : Dr. Alhareth Zyoud

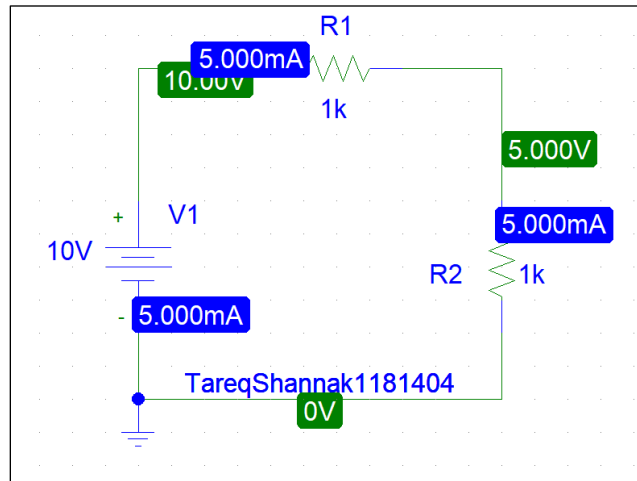
Teaching Assistant : Mahdi Salem

Section : 5

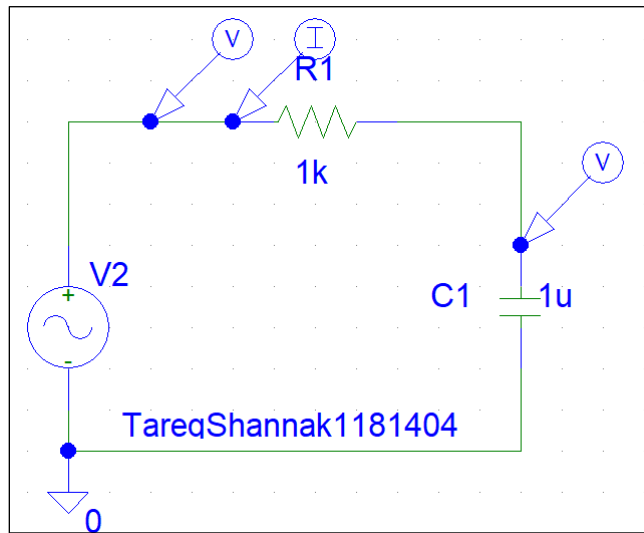
Date : 27/2/2021

Experiment #1

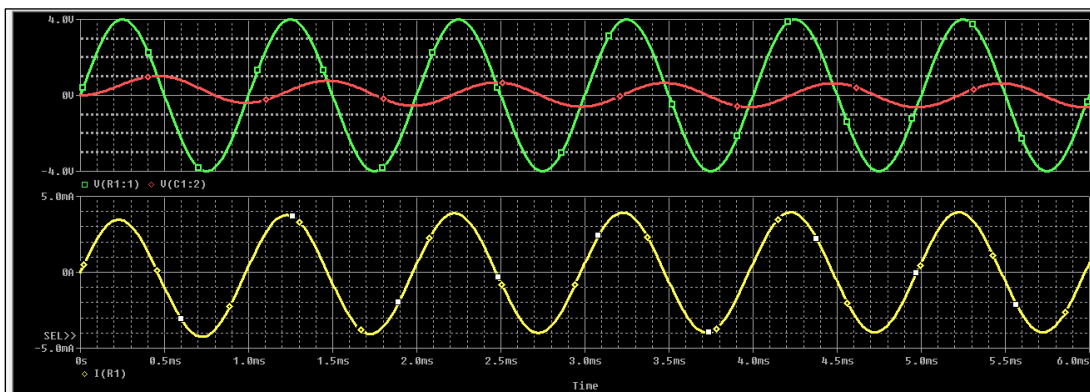
Part One



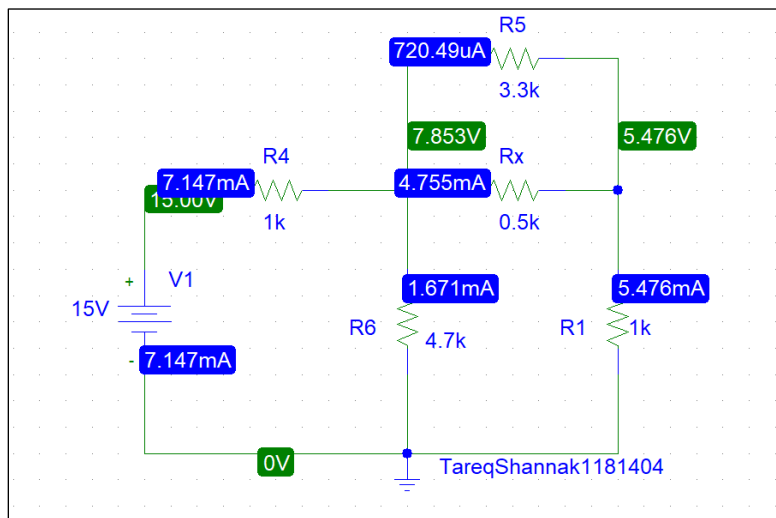
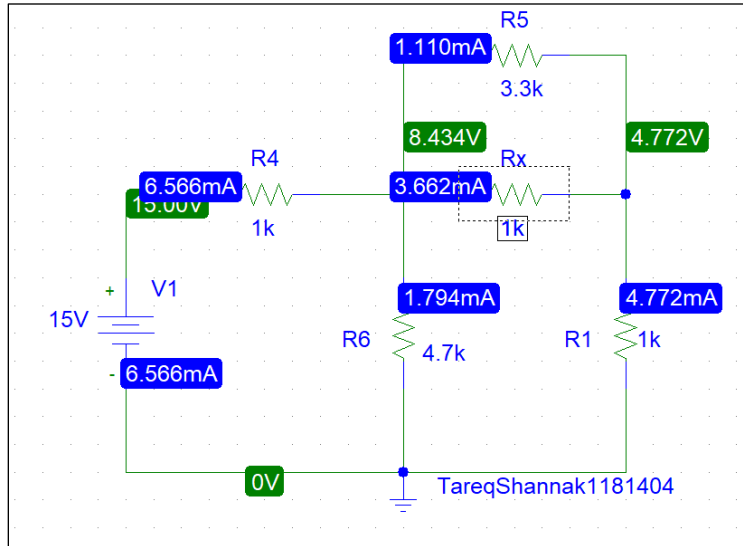
Part Two



Phase Shift = 90

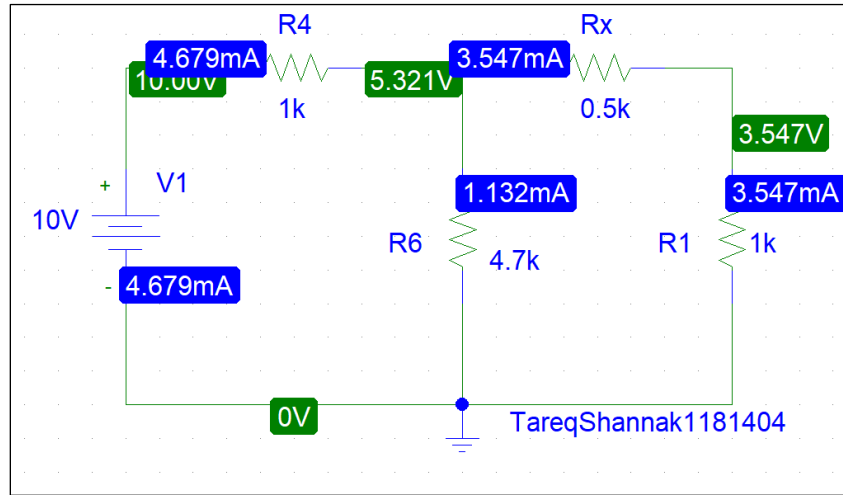
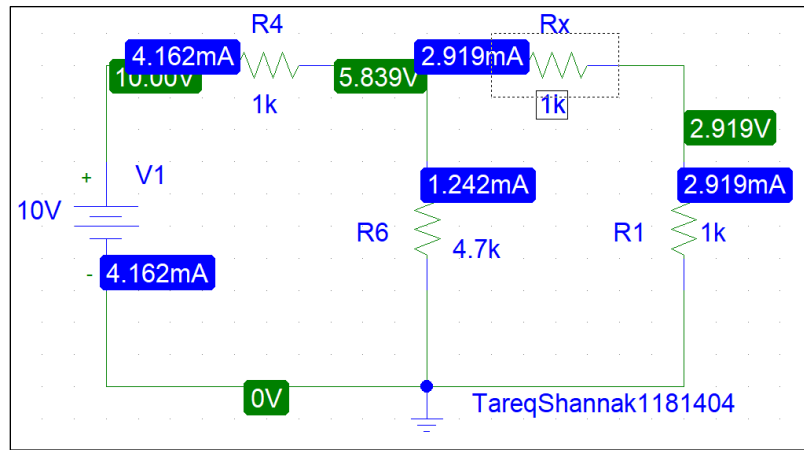


Experiment #2 Part One



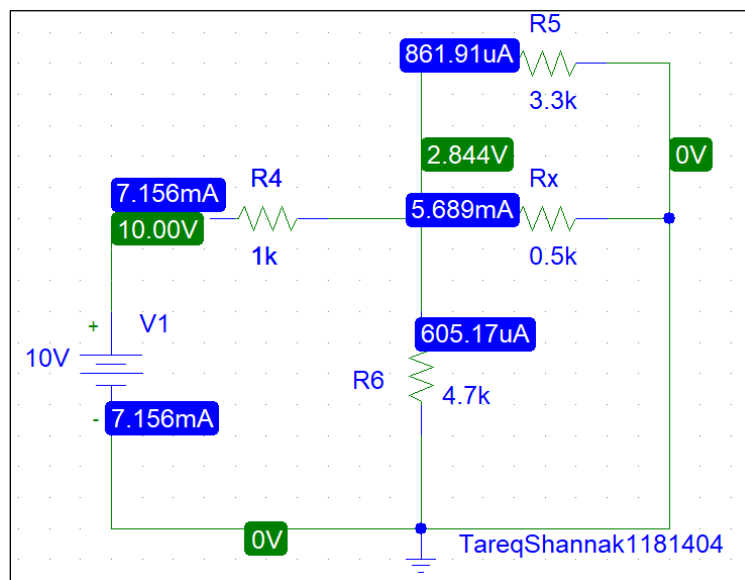
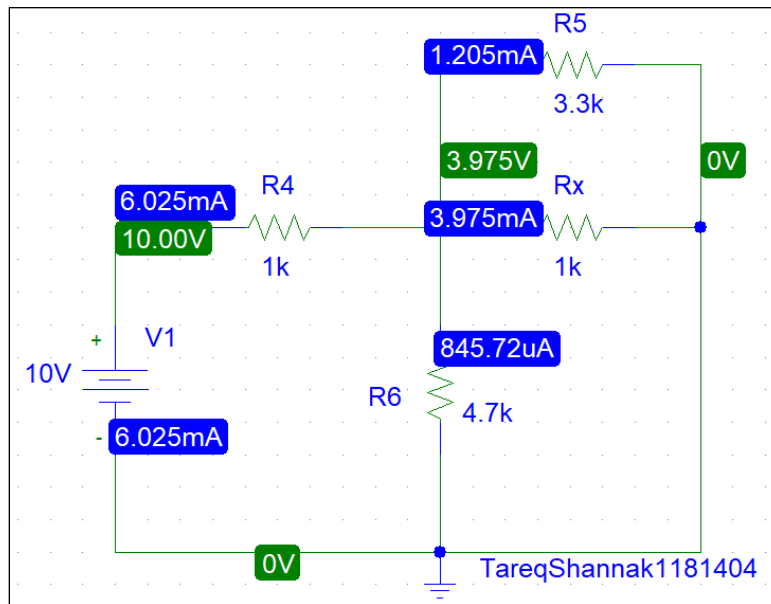
Vs	Pot	R1		R4		R5		R6		Rx	
		V1	I1	V4	I4	V5	I5	V6	I6	Vx	Ix
15V	Rx	4.7	4.7m	6.5	6.5m						
15V	0.5 Rx	5.4	5.4m	7.1	7.1m						

Part Two



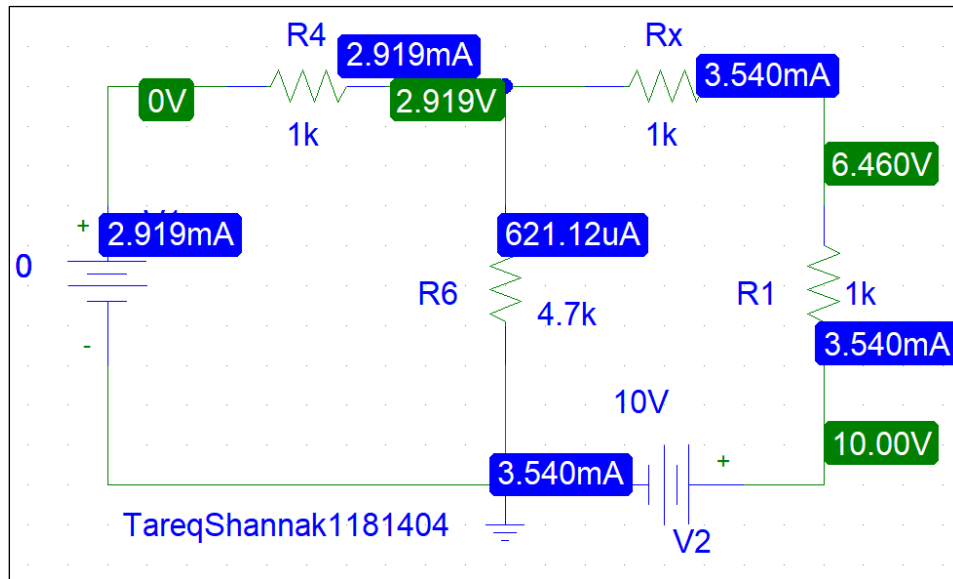
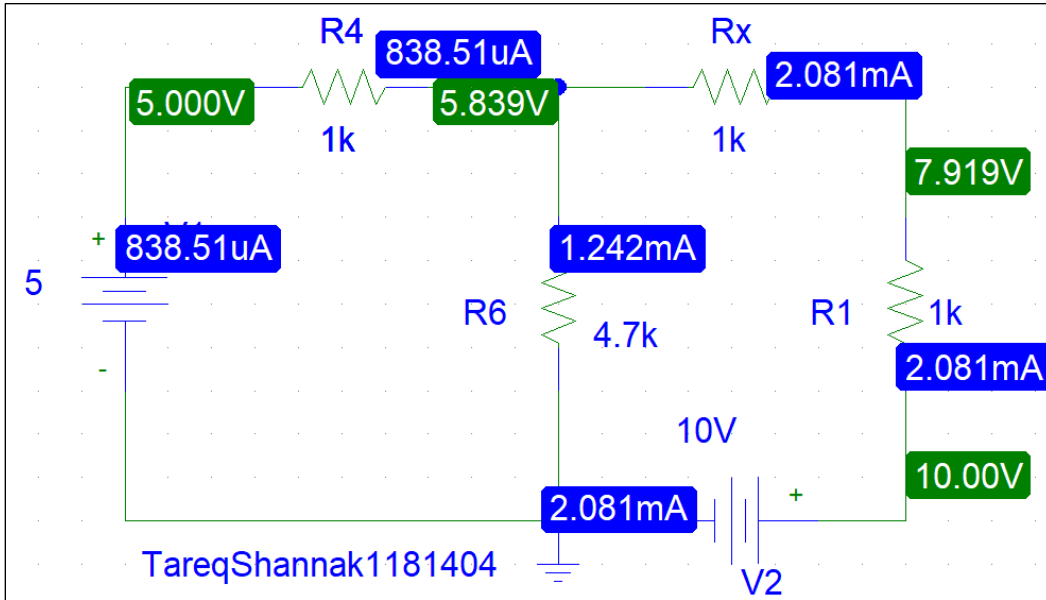
Vs	Pot	V1	V4	V6	Vx
10V	Rx	2.9	4.2	5.8	2.9
10V	0.5 Rx	3.5	4.7	5.3	1.8

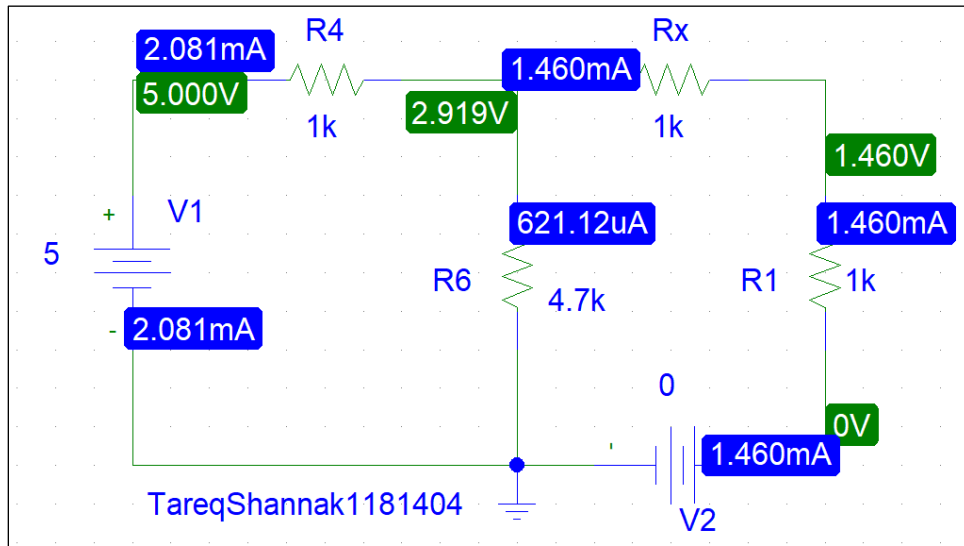
Part Three



Vs	Pot	I4	I5	I6	Ix
10	Rx	6m	1.2m	0.8m	3.9m
10	0.5 * Rx	7.1m	0.9m	0.6m	5.7m

Part Four





Vs1	Vs2	V6	I6
5	10	5.6	1.4m
0	10	2.9	0.6m
5	0	2.9	0.6m