



**Birzeit University**  
**Faculty of Engineering**  
**Electrical Engineering Department**  
**Network Analysis I – ENEE 232**  
*First Hour Exam*

**6 March 2012    Instructors: Hussein Zeitawi & Ashraf Al-Rimawi    Time: 60 min**

---

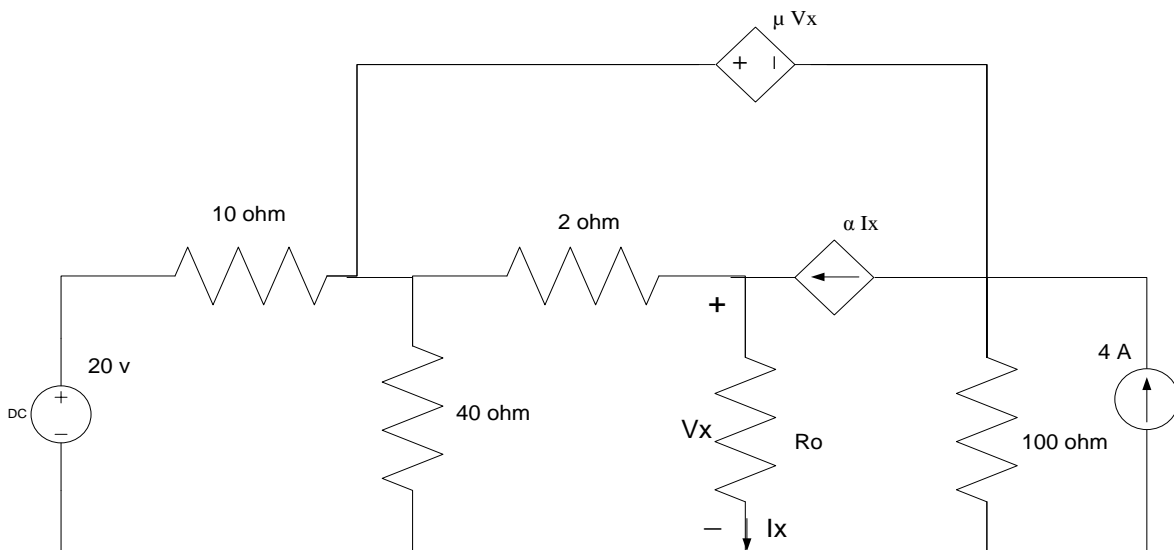
**Student Name: \_\_\_\_\_ ID Number: \_\_\_\_\_**

---

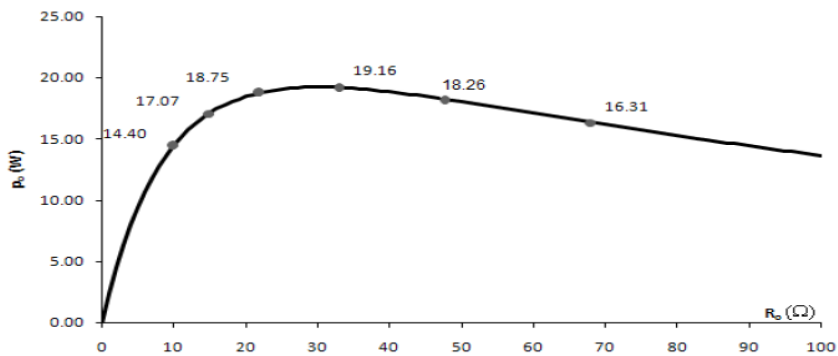
**Question # 1:**

From the circuit shown in figure 1, and Figure 2

- a. The value of  $\alpha$  constant
- b. The value of  $\mu$  constant



*Fig 1*



*Fig 2*

**Question # 2:**

For Circuit shown in figure 3, Use Superposition Technique to find the value of  $V_x$

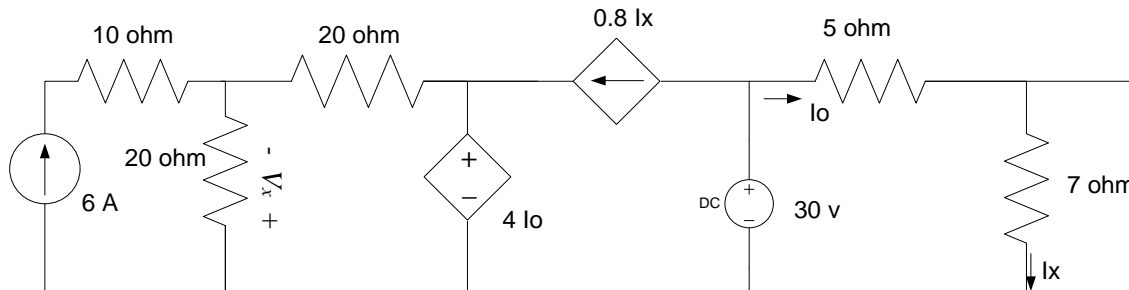


Fig 3

**Question # 4:**

For the circuit shown in Figure 4, Find  $V_o(t)$  for  $t > 0$ .

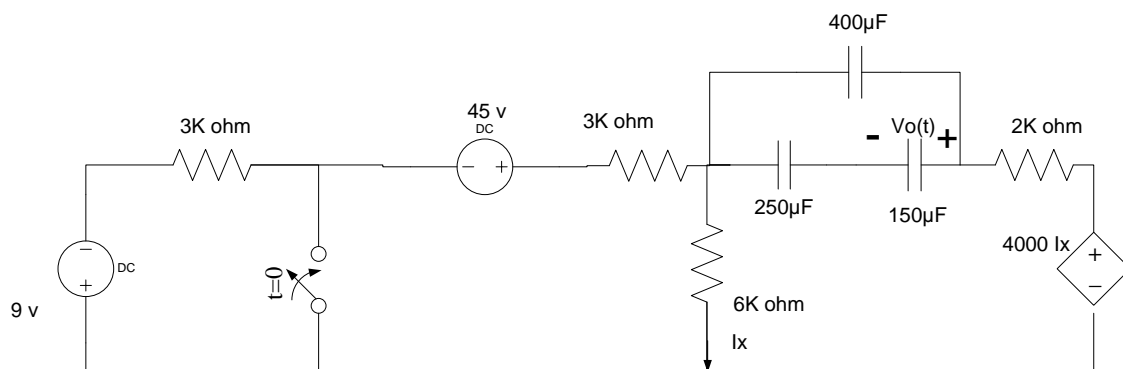


Fig 4

... With Best Wishes ...