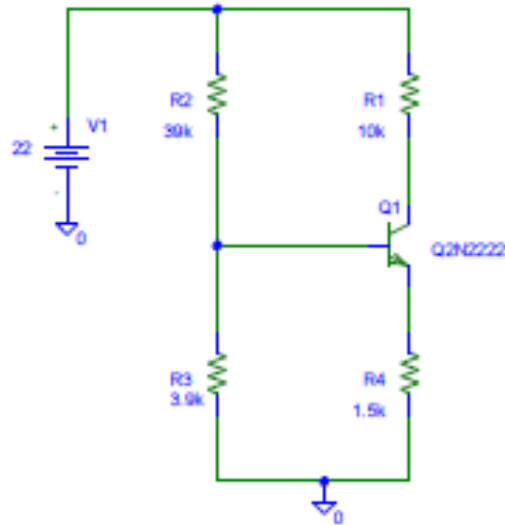


Pspice Simulation Assignment

Given the following Amplifier circuit



1. Enter the following schematics in Pspice
2. Simulate and find bias point I_{BQ} , I_{CQ} , I_{EQ} , V_{BEQ} , V_{CEQ} and V_{BCQ}
3. Simulate the circuit with variable R3 from 1 ohm to 100kohm (use steps of 2.5 kohms) and plot:
 $V_{BE} = f(R3)$
 $V_{CE} = f(R3)$
 $I_B = f(R3)$
 $I_C = f(R3)$
4. From the plots above calculate β , $I_{C(sat)}$, $I_{b(min)}$