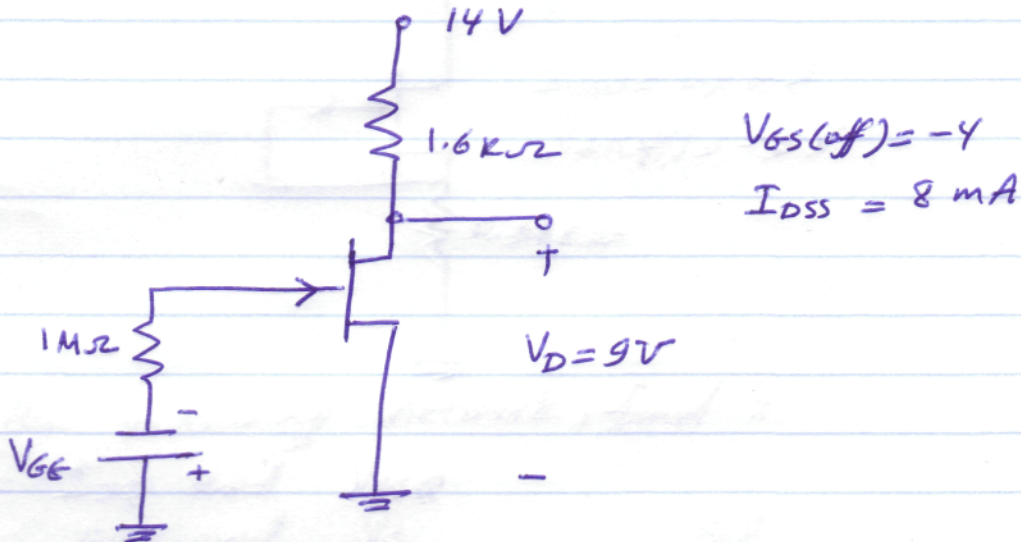


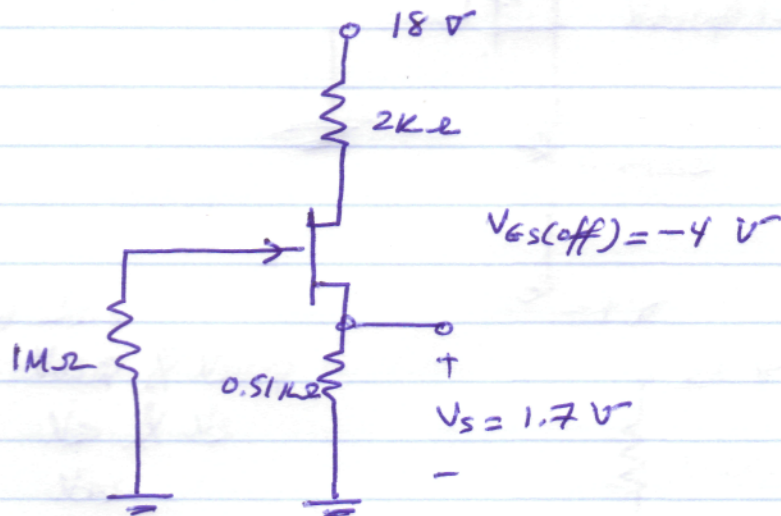
E NEE 236

Homework on FET Bias & DC Analysis

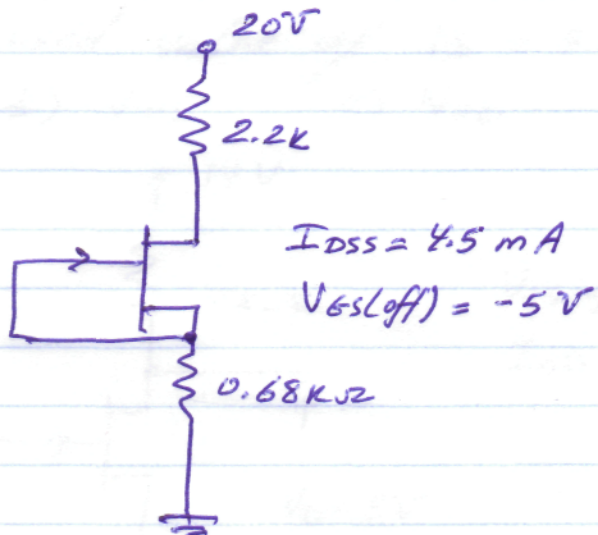
1. Given the measured value of $V_D = 9V$, determine:
(a) I_D b) V_{DS} c) V_{GS}



2. Given the measurement of $V_S = 1.7V$, determine:
(a) I_{DQ} (b) V_{GSQ} (c) I_{DSS} (d) V_D
(e) V_{DS}

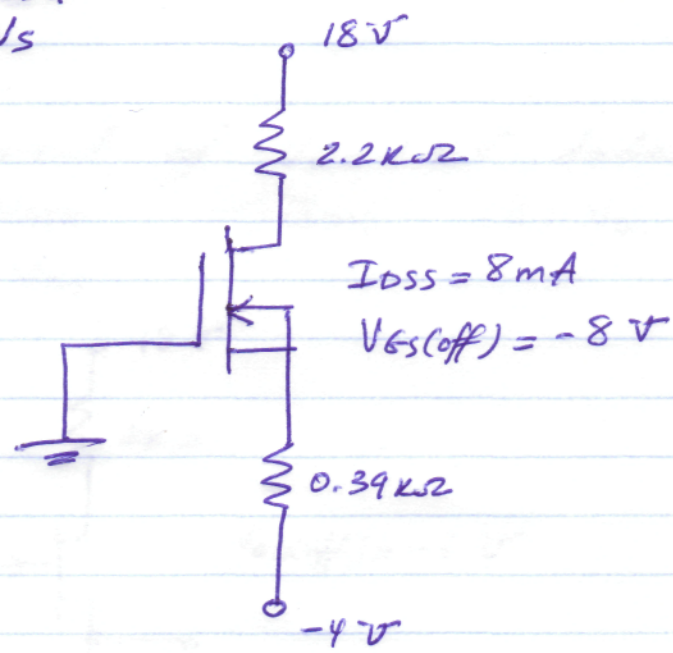


- 3) For the following network, find:
 (a) I_D (b) V_{DS} (c) V_D (d) V_S

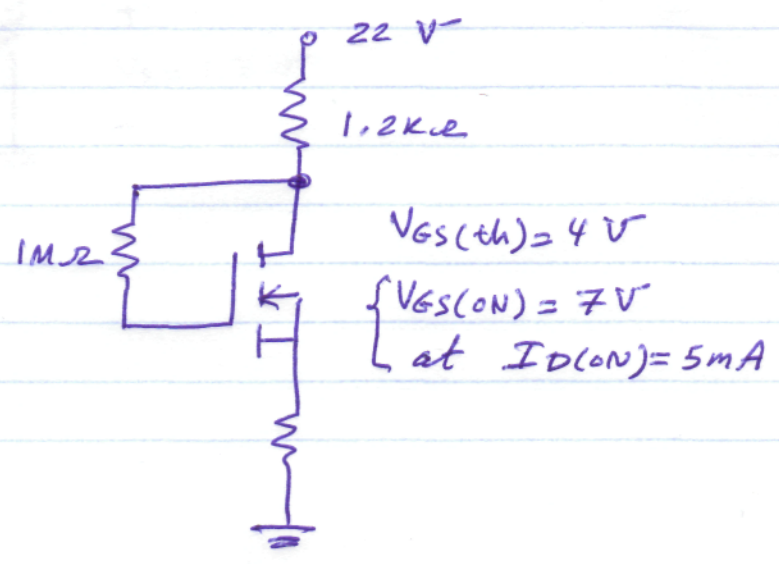


- 4) For the following network, find:

- (a) I_{DQ} and V_{GSQ}
 (b) V_{DS} and V_S



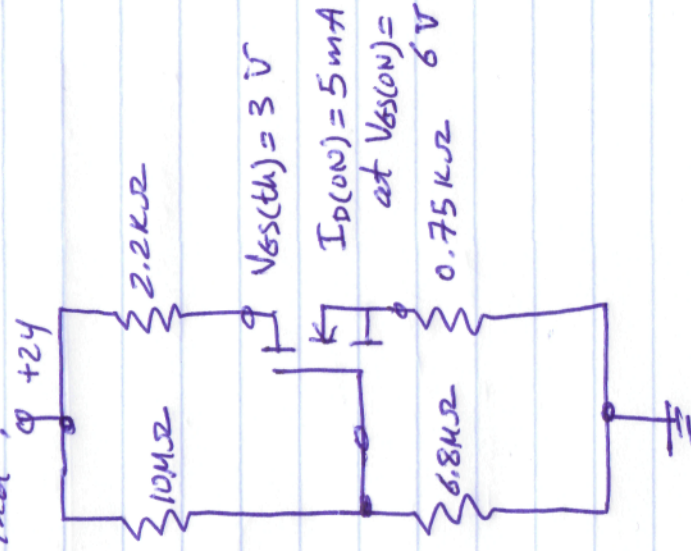
- 5) Find (a) I_{DQ}
 (b) V_{GSQ} & V_{DSQ}
 (c) V_D & V_S
 (d) V_{DS}



6) For the following configuration, find;

(a) I_D & V_{GSQ}

(b) V_D & V_S



7) For the combination network given, find

(a) V_B & V_C & V_E

(b) I_E , I_C & I_D

(c) I_B

(d) V_C , V_S & V_D

(e) V_{CE}

(f) V_{DS}

