

Amplitude Modulation

Table of contents

Modulation theory	3
Amplitude modulation	4
Modulation Index	6
Power in an AM waveform.....	9
Double Side Band – Suppressed Carrier.....	10
Single Sideband Modulation (SSB-AM).....	10
Vestigial Sideband Amplitude Modulation (VSB – AM).....	11
Appendix	12
Practical AM modulators.....	12
The chopper modulator.....	12
Non linear devices	15
SSB generation.....	16
Integrated circuit modulators.....	17
AM Demodulation techniques.....	20
The diode detector.....	20
Synchronous AM detection	22
Double Sideband Suppressed Carrier.....	24

Modulation theory

A sine wave is represented as follows

$$v_c(t) = A \cos(2\pi f_c t + \phi(t))$$

The symbols A , f_c and $\Phi(t)$ all represent parameters that can be modulated in the carrier waveform in order to carry information. The modulation schemes are known as:

A – Amplitude Modulation

f_c – Frequency Modulation

$\Phi(t)$ – Phase Modulation

Modulation is important since it lets any portion of the radio frequency spectrum used to transmit data. Here we are talking about analog modulation i.e. the transmission of analog signals, mostly audio and video signals. Also the method of transmission will vary according to the portion of the radio frequency spectrum used.

The type of modulation used depends on the part of radio frequency spectrum used and the bandwidth needed for the particular application.

Analogue modulation continuously varies the carrier with the modulating signal. Digital Modulation switches the carrier on/off with the digital signal applied to the input.

Amplitude modulation

Amplitude Modulation known as AM is one of the oldest and simplest forms of analogue modulation. Here the amplitude of the carrier waveform is changed in sympathy with the information being transmitted. The amplitude of the carrier is made proportional to the instantaneous amplitude of the information signal. The following symbols are used throughout the text

f_c, ω_c – Carrier frequency and angular velocity respectively
 f_m, ω_m – Modulating frequency and angular velocity respectively
 v_c – Output voltage
 v_m – Modulating Voltage

Let A be $K + v_m(t)$ where K is the un modulated carrier amplitude and $v_m(t)$ is the modulating signal. The modulating signal is expressed as $v_m(t) = a\cos(2\pi f_m t)$. Therefore the modulated signal becomes

$$v_c(t) = [K + a\cos(2\pi f_m t)]\cos(2\pi f_c t)$$
$$v_c(t) = K[1 + m\cos(2\pi f_m t)]\cos(2\pi f_c t)$$

m is the depth of modulated and represents how much the AM waveform has been modulated. m is defined as

$$m = \frac{\text{modulating signal amplitude}}{\text{unmodulated carrier amplitude}} = \frac{a}{K}$$

For the AM waveform not to be distorted, $m < 1$

Expanding equation $v_c(t)$ trigonometrically

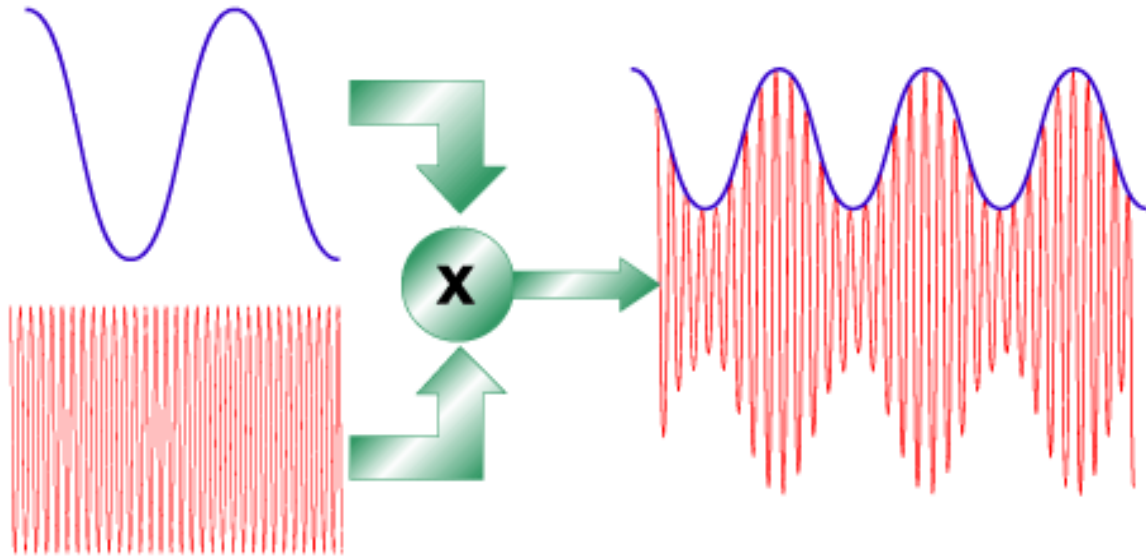
$$v_c(t) = K[1 + m\cos(2\pi f_m t)]\cos(2\pi f_c t)$$
$$v_c(t) = K[\cos(2\pi f_c t) + m\cos(2\pi f_m t)\cos(2\pi f_c t)]$$

Expanding

$$\text{Using } \cos A \cos B = \frac{1}{2} [\cos(A+B) + \cos(A-B)]$$

$$v_c(t) = K \left[\cos(2\pi f_c t) + \frac{m}{2} \cos(2\pi(f_c - f_m)t) + \frac{m}{2} \cos(2\pi(f_c + f_m)t) \right]$$

An AM wave looks as follows



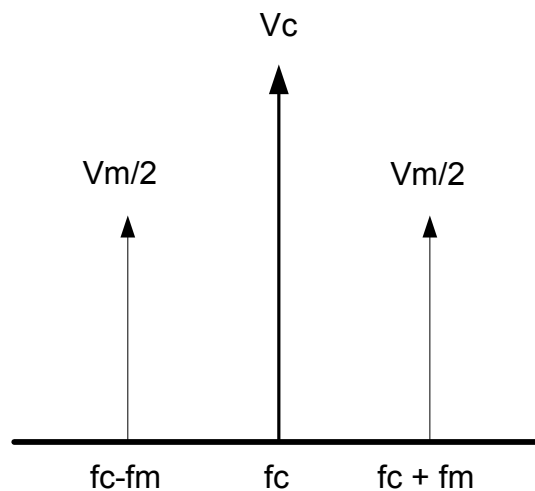
Thus an amplitude modulated waveform contains the following components

f_c – The carrier frequency

$f_c + f_m$ – A frequency component f_m higher than the carrier

$f_c - f_m$ – A frequency component f_m lower than the carrier

This is shown graphically below



The amplitude of the sidebands is half the amplitude of the modulating waveform

If $v_m(t)$ is replaced by a series of tones such as speech then the modulating waveform becomes

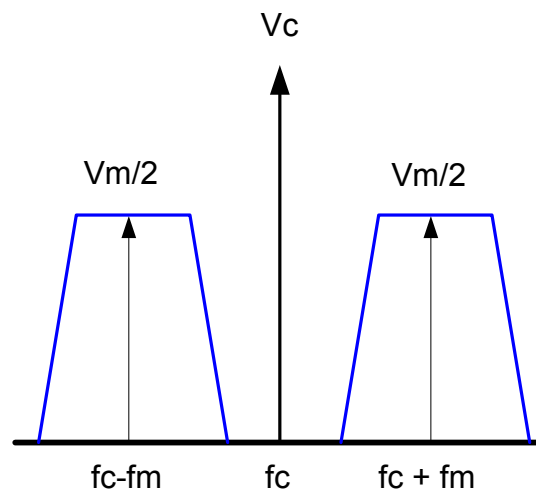
$$v_m(t) = a_1 \cos(2\pi f_1 t) + a_2 \cos(2\pi f_2 t) + a_3 \cos(2\pi f_3 t)$$

$$v_m(t) = \sum_{n=1}^{\infty} a_n \cos(2\pi f_n t)$$

Then the modulated carrier becomes

$$v_c(t) = K \left[1 + m \sum_{n=1}^{\infty} a_n \cos(2\pi f_n t) \right] \cos(2\pi f_c t)$$

The frequency spectrum now becomes



The total bandwidth is twice the bandwidth of the modulating signal

This is also called Double Side Band Amplitude Modulation (DSB-AM)

Modulation Index

The modulation factor is the ratio between the modulated and unmodulated carrier waveform. It can be expressed in various ways

$$m = \frac{\text{r.m.s value of } V_m(t)}{\text{r.m.s value of unmodulated carrier } V_c(t)}$$

$$m = \frac{V_m}{V_c} = \frac{(V_c + V_m) - (V_c - V_m)}{(V_c + V_m) + (V_c - V_m)}$$

$$m = \frac{\text{Maximum voltage} - \text{Minimum voltage}}{\text{Maximum voltage} + \text{Minimum voltage}}$$

Example

A carrier waveform $v_c = 5\sin(8 \times 10^6)V$ is amplitude modulated by the signal $v_m = 2\sin(3 \times 10^3)V$. Calculate the depth of modulation.

The modulation index can be calculated as

$$m = \frac{V_m}{V_c} = \frac{2}{5} = 0.4 = 40\%$$

For a general complex waveform of a modulating signal $v_m(t)$

$$m = \frac{\sqrt{\sum_{n=1}^{\infty} a_n^2}}{\frac{v_c}{\sqrt{2}}}$$

Example

A carrier waveform $v_c = 12\sin(5 \times 10^6)$ is amplitude modulated by the signal $v_m = 5\sin(3 \times 10^3) + 3\sin(1 \times 10^3)V$. Calculate the depth of modulation.

The r.m.s of the modulating signal is

$$\sqrt{\frac{5^2 + 3^2}{2}} = 4.123$$

$$m = \frac{4.123}{\frac{12}{\sqrt{2}}} = 0.485 = 48.5\%$$

If the waveform is modulated by a rectangular waveform than the number of sinusoidal components in the waveform will be extremely large. Thus the r.m.s. value of the modulated waveform becomes

$$V = \sqrt{\frac{1}{T} \int_0^T v^2 dt} = \frac{V_c}{\sqrt{2}} \sqrt{1 + \frac{m_T^2}{2}}$$

$$m_T^2 = m_1^2 + m_2^2 + m_3^2$$

The sum of the individual modulation indexes in the complex waveforms

Example

An 8V peak carrier wave is amplitude modulated by a square waveform of peak value 5V. Calculate

- a) the r.m.s. of the unmodulated waveform
- b) Depth of modulation

a) The maximum value of the modulated waveform is 13V and the minimum value is 3V.

Therefore for half the periodic time the amplitude is 13V and for the other half it is 3V. Hence

$$V = \sqrt{\frac{1}{T} \left(\int_0^{T/2} 13^2 \sin^2 w_c t dt + \int_{T/2}^T 3^2 \sin^2 w_c t dt \right)}$$

Using the Identity $2\sin^2 \theta = 1 - \cos 2\theta$

$$V = \sqrt{\frac{1}{T} \left(\int_0^{T/2} \frac{169}{2} (1 - \cos 2w_c t) dt + \int_{T/2}^T \frac{9}{2} (1 - \cos 2w_c t) dt \right)}$$

The integration of $\cos 2w_c$ over half a period is 0

$$\therefore V = \sqrt{\frac{1}{T} \left(\int_0^{T/2} 84.5 dt + \int_{T/2}^T 4.5 dt \right)}$$

$$V = \sqrt{\left\{ \frac{1}{T} \left[84.5T + 4.5 \left(T - \frac{T}{2} \right) \right] \right\}}$$

$$V = \sqrt{44.5}$$

$$V = 6.67V$$

b) To find the modulation index

$$6.67 = \frac{8}{\sqrt{2}} \sqrt{1 + \frac{m_T^2}{2}}$$

$$\therefore m_T = 0.884 \text{ or } 88.4\%$$

Power in an AM waveform

The total power in an AM waveform is the power in the carrier and the total power in the sidebands. The total power developed over a resistance R is

$$P_T = \frac{V^2}{R} = \frac{V_c^2}{2R} \left(1 + \frac{m_T^2}{2} \right) W$$

Carrier Power
Side Band Power

The transmission efficiency is the ratio of Sideband power (which conveys useful information) and the total transmitted power. It is given by

$$\eta = \frac{m_T^2}{2 + m_T^2} \times 100\%$$

The maximum efficiency of η is 33.3% when m_T has a value of 1. Thus DSB-SC is very inefficient.

Example

A 10kW carrier wave is amplitude modulated to at depth of 70%. Calculate the total sideband power and express it as a percentage of the total radiated power.

From the power equation the total radiated power is

$$P_T = 10 \times 10^3 \left(1 + \frac{0.7^2}{2} \right) = 12.45 \text{ kW}$$

Hence Sideband power is $12.45 - 10 = 2.45 \text{ kW}$

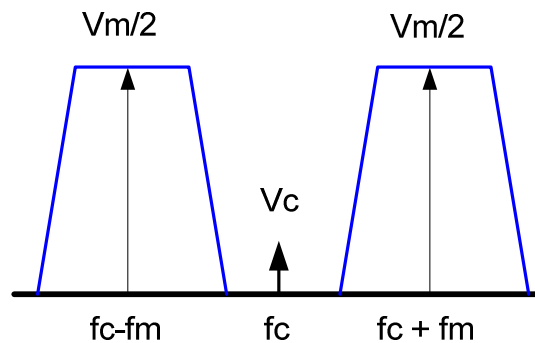
Expressed as a percentage of the total sideband power this is 19.68%

Double Side Band – Suppressed Carrier

As seen in the section above a lot of the AM's waveform power is used in the carrier. Actually the carrier carries no information at all relevant to the signal being transmitted. Also in the presence of noise carrier power will add to the total noise received by the system. If the carrier is removed or suppressed in amplitude than the overall efficiency is increased.

The disadvantage of such a system is the increased complexity in the detector. This is known as DSB-SC (Double Side Band – Suppressed Carrier). The modulated signal is represented as :

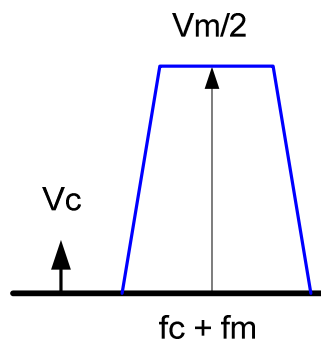
$$v_c(t) = \frac{m}{2} \text{Cos}[2\pi(f_c - f_m)t] + \frac{m}{2} \text{Cos}[2\pi(f_c + f_m)t]$$



Representation of DSB-SC

Single Sideband Modulation (SSB-AM)

In DSB-SC the carrier was suppressed as it was carrying no useful information. It can be noticed as well that the information transmitted in the lower sideband is the same as the signal in the upper sideband. Thus if one of the sidebands is to be suppressed there will be no loss of information.



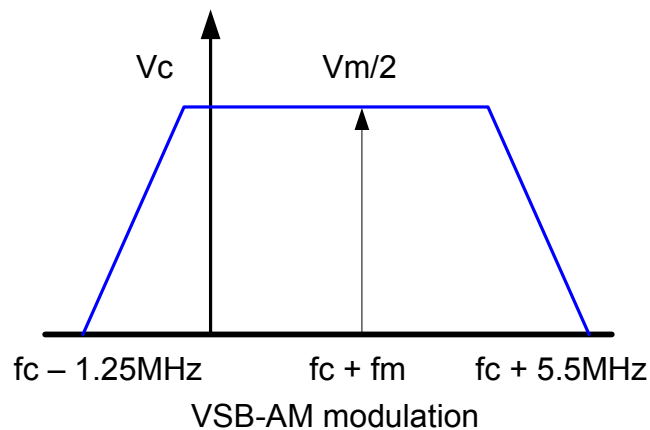
Single Sideband modulation

This is also known as SSB-AM. With SSB the bandwidth required for an AM system has been halved and therefore more information can be carried. The receiver complexity has now been increased as it is harder to demodulate the signal. It is very popular with radio amateurs.

Vestigial Sideband Amplitude Modulation (VSB – AM)

This is used for wideband modulating signals and signals that have a DC component that cannot be eliminated. The bandwidth of a VSB-AM system can extend up to 5.5MHz in a television system. Applying a conventional DSB-AM system the bandwidth will extend to 11MHz which is inefficient. This is excessive in regard of transmission bandwidth and cost.

Thus VSB-AM is a compromise between DSB-AM and SSB-AM. The receiver is much simple than an SSB receiver.



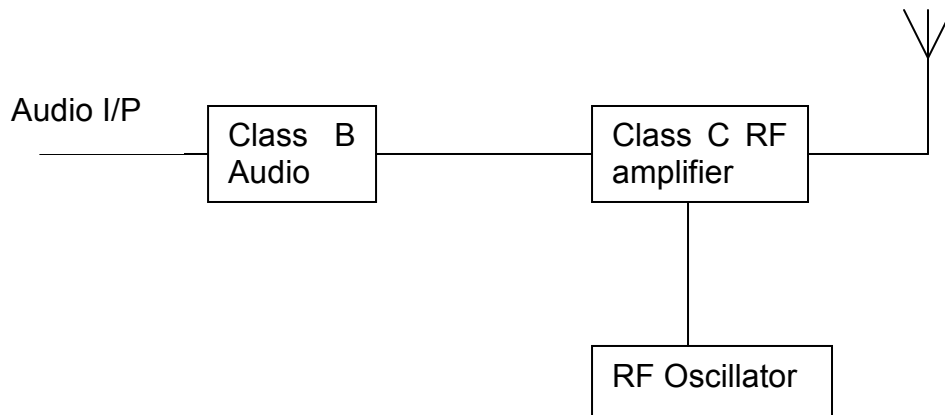
Appendix

Practical AM modulators

It is difficult to implement an AM modulator without giving the rise to unwanted sidebands which must be filtered off before the AM signal being transmitted.

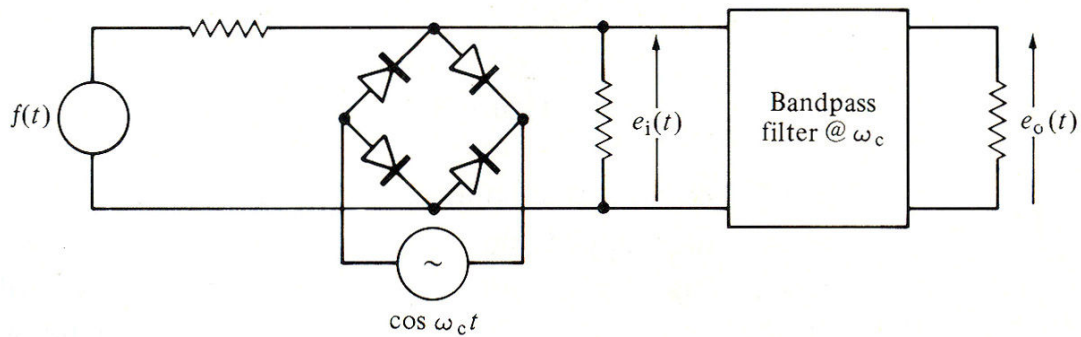
For large power transmitters requiring good linearity, output stage modulation is employed. The modulator comprises of a class B audio amplifier which drives a class C radio frequency amplifier. The output is rich in harmonics and by using a tuned filter a fairly undistorted amplitude modulated signal may be obtained with an efficiency of about 80%.

The RF carrier wave is obtained from a very stable crystal oscillator and for high stability it is separated by a buffer amplifier. A suitable d.c. power supply is also required to provide energy for the transmitter. A typical medium wave transmitter operates at a power level of about 50-100kW for broadcast speech and music

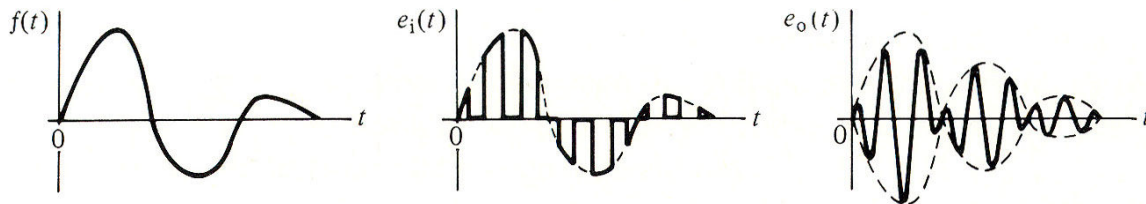


The chopper modulator

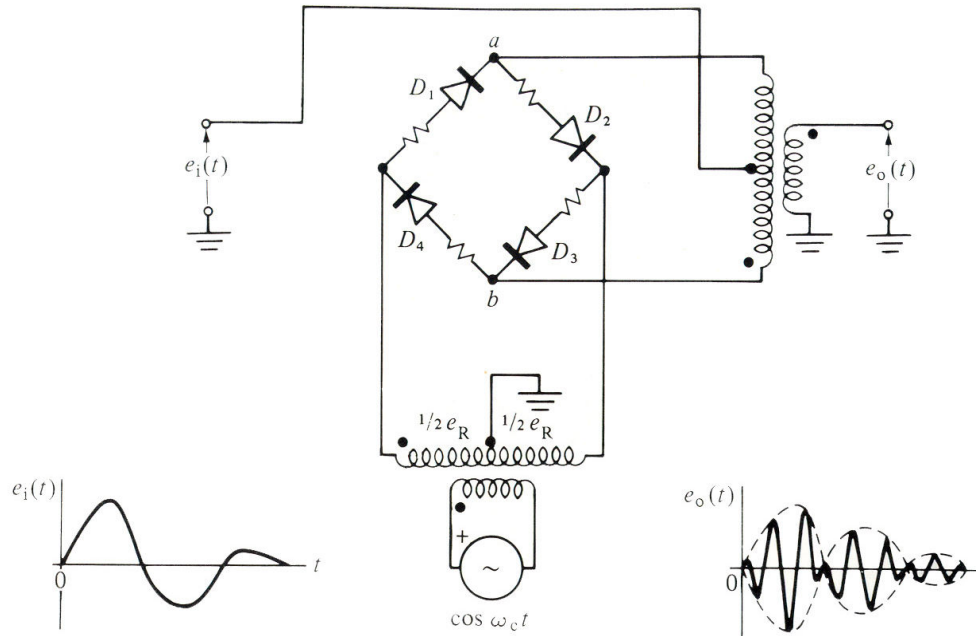
The chopper modulator or ring modulator is a common type of modulator. A diagram is shown below



$\cos(\omega_c t)$ is a square wave. During the positive half cycle $f(t)$ is switched on to the other side. When $\cos(\omega_c t)$ is 0 the waveform is switched off. The bandpass filter will remove higher frequency components which are not needed. The corresponding waveforms are shown below



This is a theoretical model of a chopper modulator. A popular configuration is the double-balanced ring modulator. The modulator is popular as it does not require ideal components, provided that they have matched characteristics (i.e. use the same part numbers).



Assuming that $e_i(t)$ is 0. During the positive half cycles diodes D_1 and D_2 will conduct and the point a is connected to the out put transformer secondary. If the secondary of the reference transformer is accurately centre tapped and if the impedances of D_1 and D_2 are identical than no current will flow through the output transformer and no voltage will be developed at the output. During the next half cycle D_3 and D_4 conduct and point b is connected to the input through the opposite half cycle of the output transformer secondary. Again no current will flow and no output will result. Thus we see that the carrier is suppressed.

Now let $e_i(t)$ have the modulating input. Let us apply a positive polarity input signal whose peak amplitude is much smaller than that of the reference e_R . On the positive half-cycles of $\text{Cos}\omega_c t$, point a is essentially at ground potential and a current will flow upward through half of the output transformer secondary, inducing a positive output voltage. On the negative half-cycles of $\text{Cos}\omega_c t$, point b is essentially at ground potential and a current will flow downward through the opposite half of the output transformer secondary, inducing a negative output voltage.

The peak positive and negative output voltages will be identical for a given fixed signal amplitude if the output transformer is accurately centre tapped.

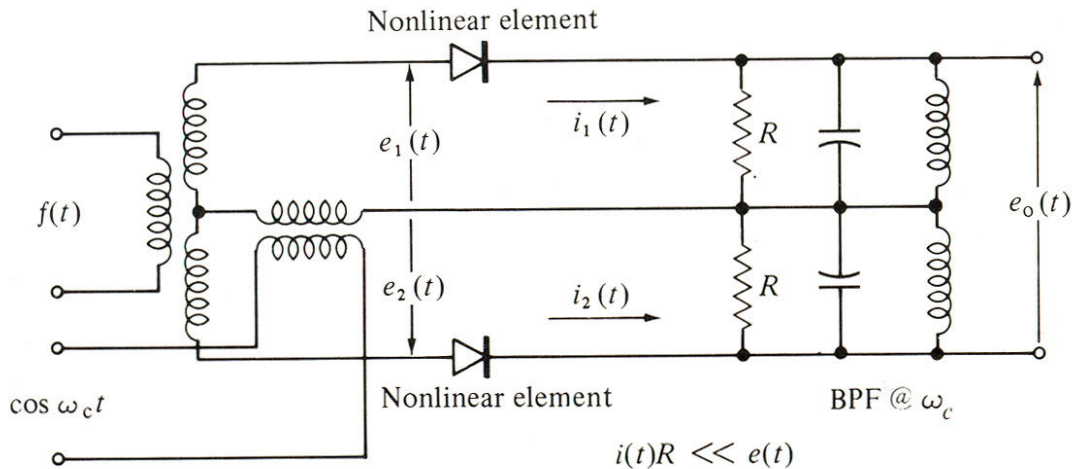
Therefore we have developed a signal that alternates in sign at a rate determined by the carrier frequency and whose amplitude is proportional to the input signal amplitude. For DSB-SC modulation to occur

$$[e_i(t)]_{\max} < \frac{1}{2}[e_R(t)]_{MAX}$$

In practice, an imbalance between diode characteristics and inaccuracies in the transformer centre taps will result in non-ideal performance and carrier leakage. Balancing controls can be added to fully tune out carrier leakage.

Non linear devices

Amplitude modulation can also arise in non linear systems. Diodes are good examples of non linear devices and may be used as a modulator. The following balanced modulator uses non linear devices to generate a DSB-AM.



The non linearity can be approximated by the following power series

$$i(t) = a_1 e(t) + a_2 e^2(t) + a_3 e^3(t) + \dots$$

Referring to the above figure. By the transformer actions

$$e_1(t) = \cos \omega_c t + f(t)$$

$$e_2(t) = \cos \omega_c t - f(t)$$

Retaining up to the power of $e^2(t)$ the current then becomes

$$i_1(t) = a_1 [\cos \omega_c t + f(t)] + a_2 [\cos \omega_c t + f(t)]^2$$

$$i_2(t) = a_1 [\cos \omega_c t - f(t)] + a_2 [\cos \omega_c t - f(t)]^2$$

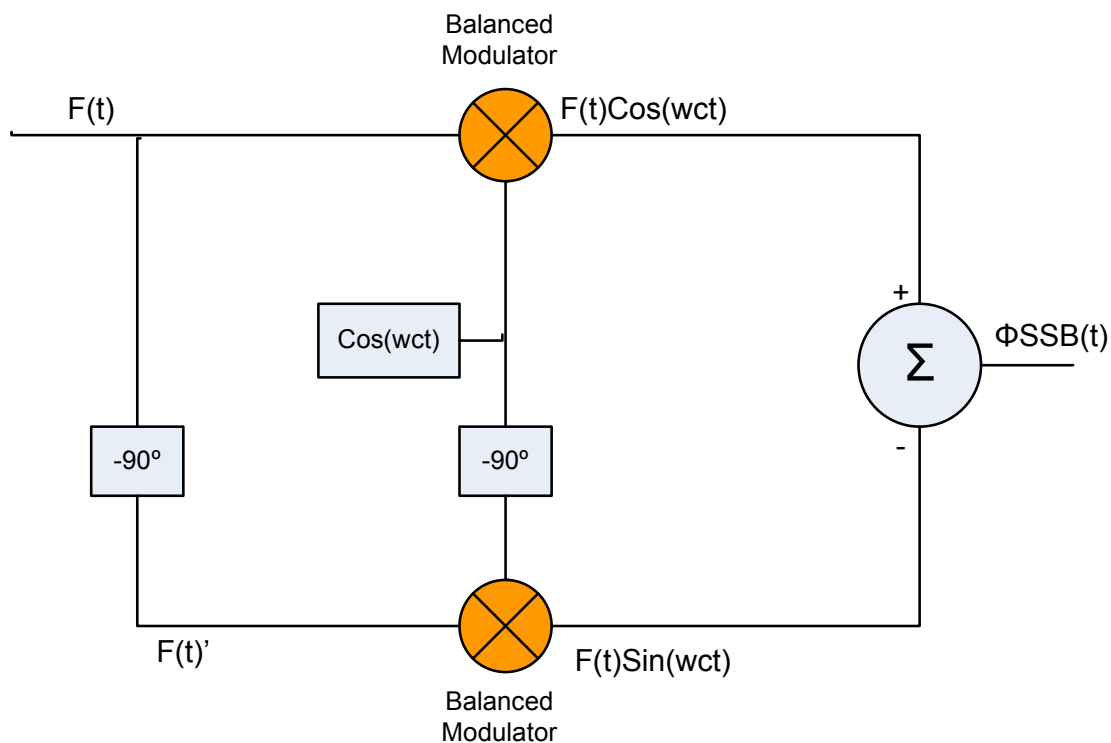
For a resistive load $e_0(t)$ the net voltage is $[i_1(t) - i_2(t)]R$ the output is

$$[i_1(t) - i_2(t)]R = 4a_2R \left[f(t)\cos\omega_c t + \frac{a_1}{2a_2} f(t) \right]$$

Semiconductor diodes may be used as non linear devices such as modulators. The performance of this type of modulator as for the ring modulator is dependant on how close the characteristics of the diodes can be matched. This is from a class of balanced modulators.

SSB generation

The generation of SSB signals is more complex as it requires to filter both the carrier and the lower side band. A system using balanced modulators is shown below

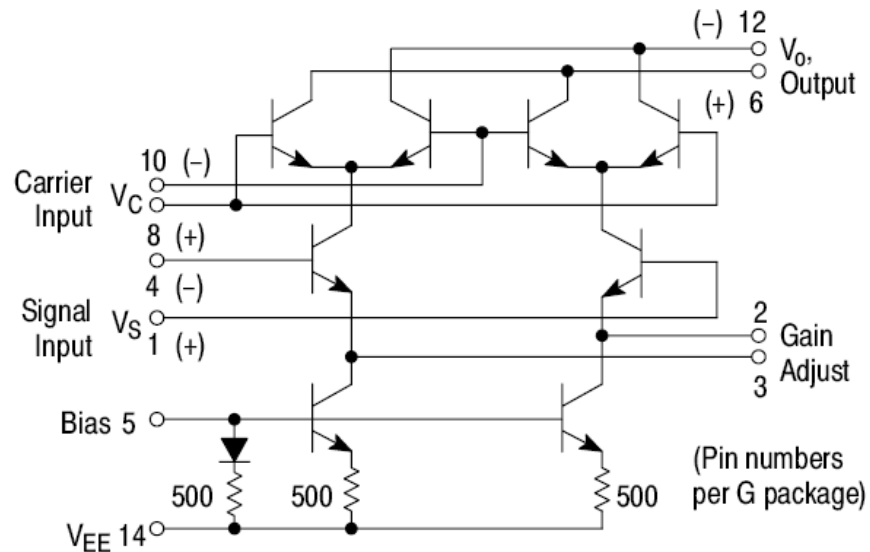


This system is very efficient and used for low frequency generation and digital generation of SSB. Problems arise with the 90° phase shifters as they must provide a constant phase for all the signal bandwidth. Therefore such systems have very restricted bandwidths

Integrated circuit modulators

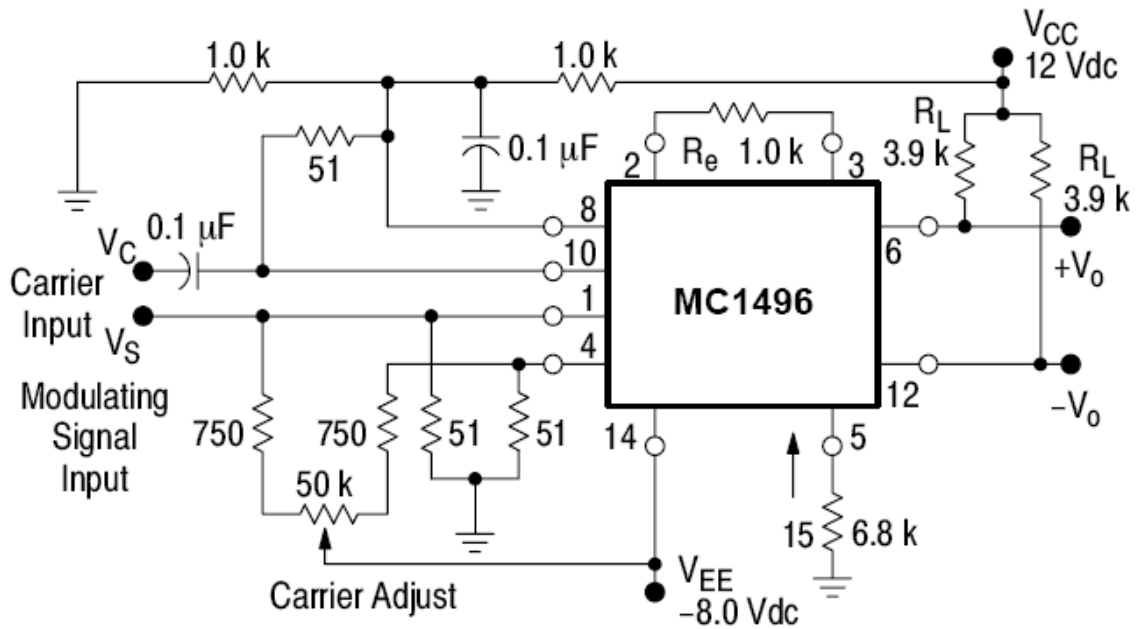
Several semiconductor companies produce Integrated circuit modulators, based on the Gilbert cell a discrete transistor multiplier. Motorola produces an Integrated circuit modulator, the MC1496. This is a very versatile chip that provides modulation and de-modulation functions. A full treatment of the IC is not possible here and the datasheet needs to be consulted.

The heart of the chip is the Gilbert Cell



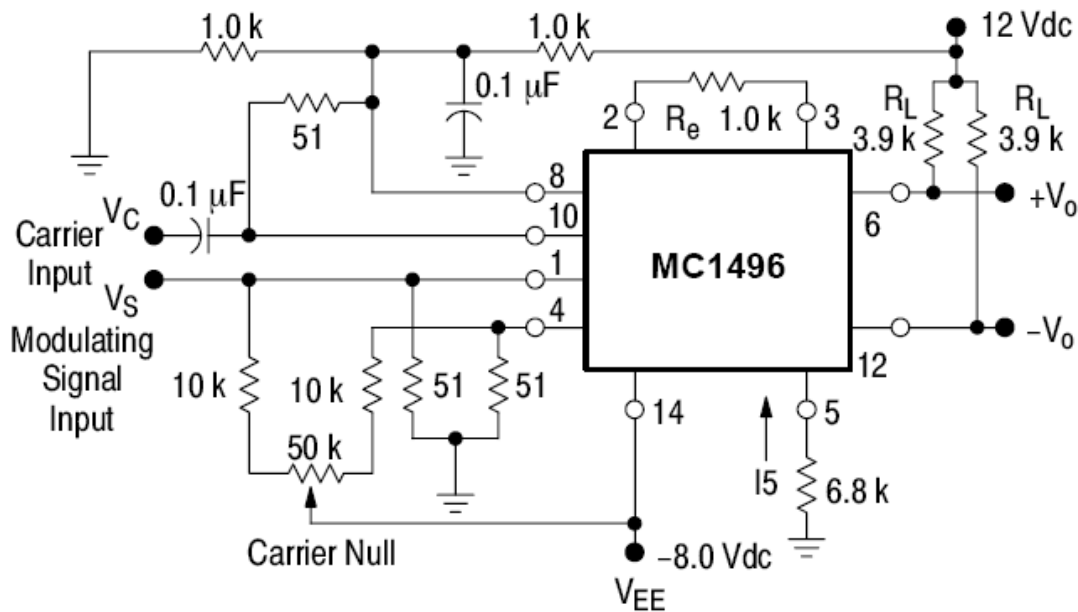
It consists of differential amplifiers that multiply the signal. Motorola Application note AN531/D describes in detail the operation of this Integrated circuit. It has 300MHz operating bandwidth sufficient for most applications.

The following schematic is of an AM modulator

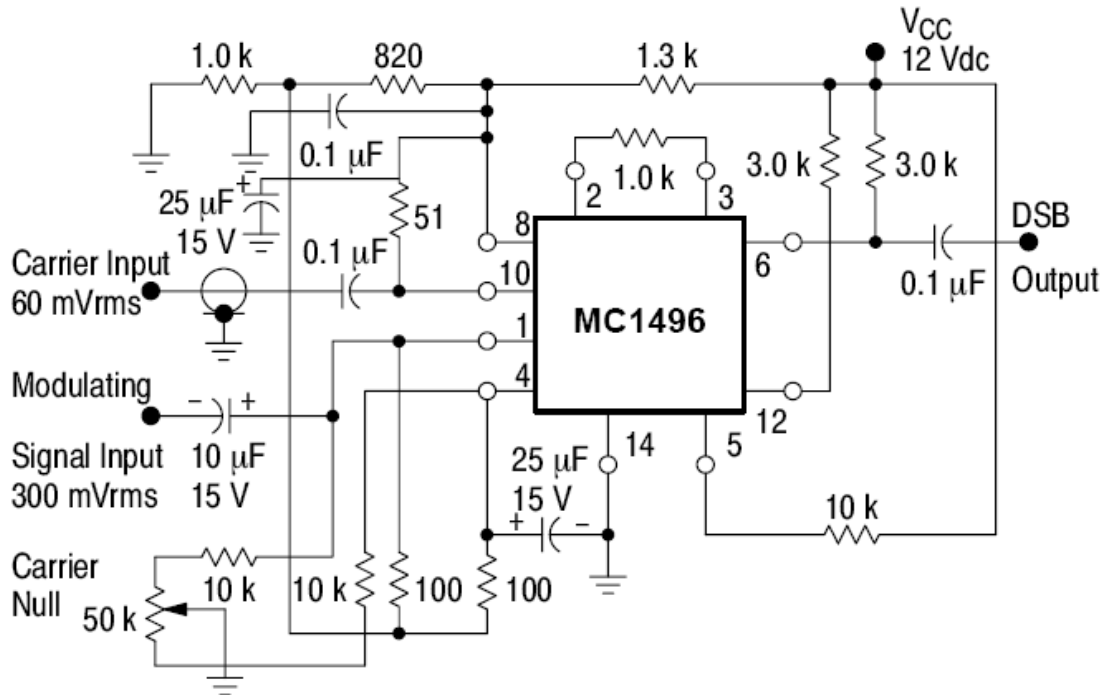


It produces standard Double Sideband Bandwidth modulation. The amount of carrier in the output is adjusted by means of the carrier adjust potentiometer. Both the *carrier input* and the *Modulating Signal Input* have to be in the milli-volt levels for correct operation.

The schematic below is a classical DSB-SC modulator using the MC1496.



The circuit has differential outputs. Only one needs to be used for the final amplification stage. So far all circuits have been using dual supplies. The circuit below uses a single supply for modulation.

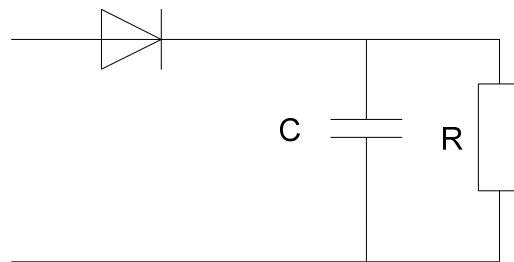


AM Demodulation techniques

Detection or demodulation is the process of recovering the intelligent signals from an amplitude-modulated wave. Most radio receivers employ a diode detector and most SSB systems use one type or other of balanced modulator.

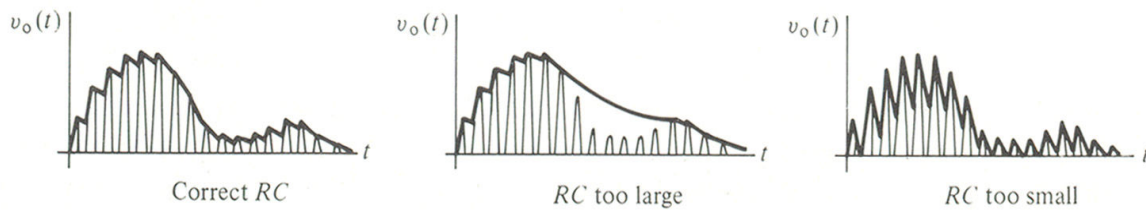
The diode detector

The diode detector circuit consists of a diode in series with a parallel resistor-capacitor network. It is the simplest form of detector found. It forms a class of detectors called non-coherent detectors. A non coherent detector is not synchronized in phase with the transmitter



If an un-modulated carrier wave is applied to the circuit the first positive half-cycle of the wave will cause the diode to conduct. The diode current will charge the capacitor to a voltage slightly less than the peak value of the input signal. At the end of this half-cycle the diode ceases to conduct and the capacitor starts to discharge through the load resistor, R , at a rate determined by the time-constant, CR seconds, of the discharge circuit. This time-constant must be large compared with the periodic time of the carrier wave to ensure that the capacitor does not discharge too much during the following negative half-cycle. The time-constant for the charging of the capacitor is Cr seconds, when r is the forward resistance of the diode.

If the carrier wave is now amplitude modulated, the voltage across the diode load will vary in sympathy with the envelope of the modulated carrier provided that the time constant CR is small enough. The capacitor must be able to discharge rapidly enough for the voltage across it to follow those parts of the modulation cycle where the modulation envelope is decreasing in amplitude. See below for the effects of different CR constants.



The capacitor voltage falls until a positive half-cycle of the input signal makes the diode conduct and recharge the capacitor. When the modulation envelope is decreasing over one positive half-cycle is of lower peak value than the preceding half-cycle and the capacitor is recharged to a smaller voltage, If the time-constant of the discharge path is too long, relative the periodic time of the modulation signal, the capacitor voltage will not be able to follow the troughs of the modulation envelope; that is, the decay curve passes over the top of one or more input voltage peaks, as shown by the dotted line in the above diagram. It can be shown that for this distortion to be negligible the maximum time-constant is given by

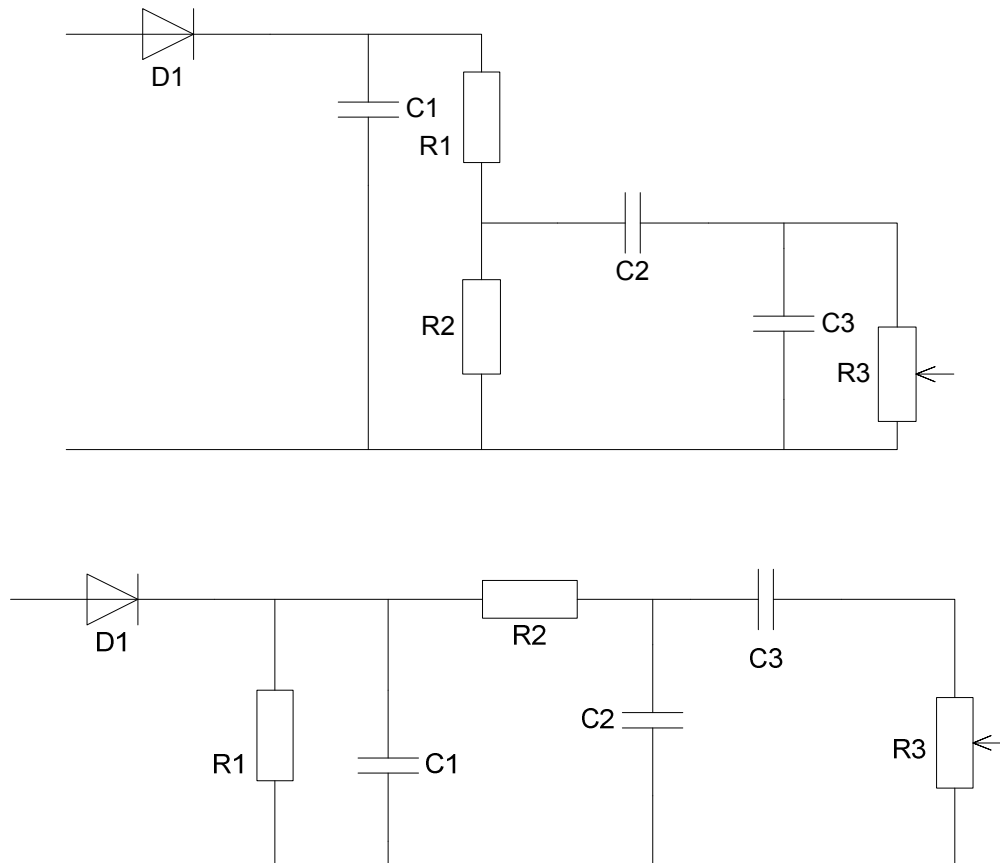
$$CR = \sqrt{\frac{1-m^2}{2\pi fm}}$$

where m is the depth of modulation,
 f is the maximum modulating frequency.

The voltage developed across the diode load resistor had three components

- a) a component at the wanted modulating signal frequency
- b) a d.c component that is proportional to the peak value of the un-modulated wave
- c) components of the carrier frequency and harmonics of the carrier

The basic detector circuit must therefore be modified to prevent components b) and c) reaching the audio amplifier. The d.c. component is removed with a series capacitor and the r.f components by a suitable RC filter. Two possible arrangements are shown below



Diode detection techniques are good but for more demanding reception synchronous techniques must be employed.

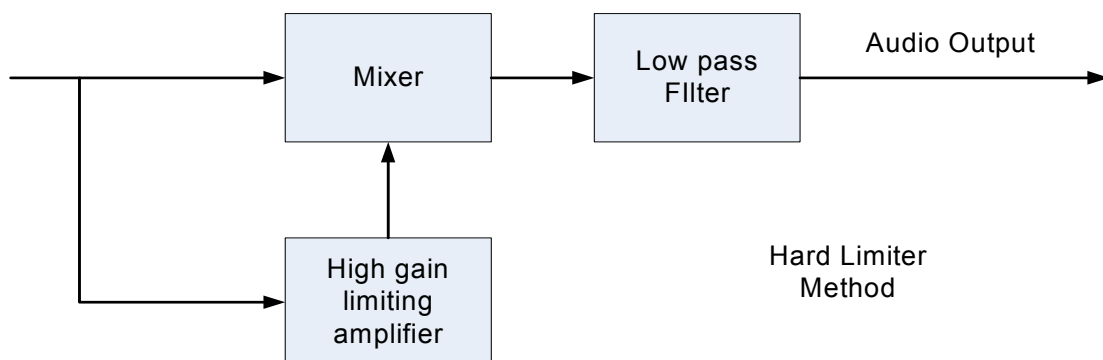
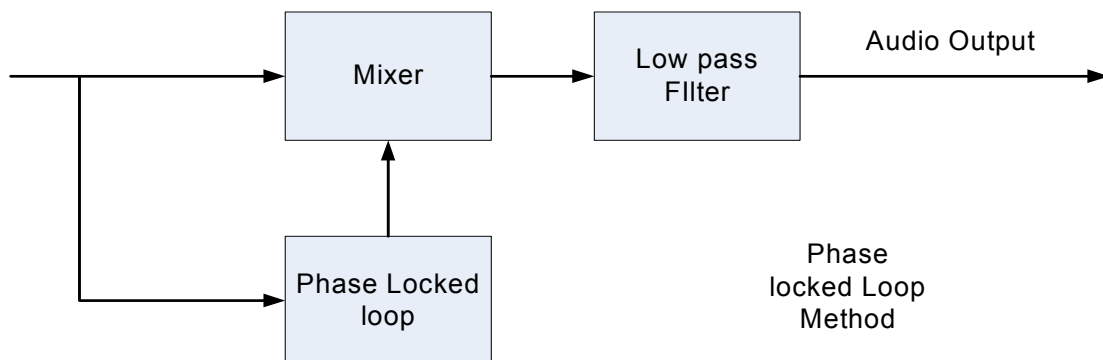
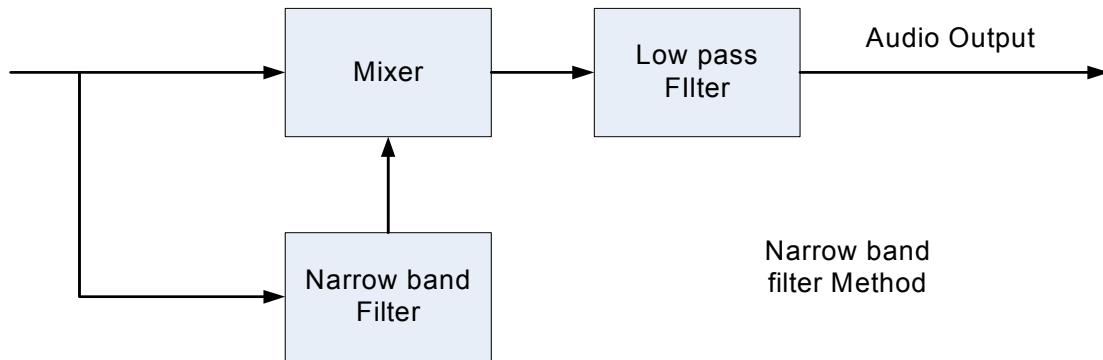
Synchronous AM detection

Ordinary envelope detection for a.m. has several disadvantages. Many of these are overcome by using a form of detection known as synchronous detection. This operates using what is essentially a beat frequency oscillator and mixer in very much the same way as in the detection of s.s.b. and morse. To ensure that the beat frequency oscillator is on exactly the correct frequency it is synchronized to the incoming carrier frequency.

Synchronization of the carrier can be achieved in a number of ways. A narrow band filter can be used to extract the carrier and then this can be mixed with the incoming signal. This is the most obvious method, but it has the drawback that the carrier has to be positioned on exactly the correct frequency for it to operate correctly. Alternatively a phase locked loop can be used. The loop will lock onto the incoming carrier and generate a signal which can be fed into the mixer. A third method feeds the incoming signal into a very high gain amplifier. If the gain is sufficiently high then circuit will limit, removing the modulation and leaving only

the carrier. This is then mixed with the original signal to regenerate the original audio. This last method is the cheapest and it does not have the limitations of a very limited band of operation of the filter method. A low pass filter is used to reproduce the original audio signal

Using a synchronous detector much lower levels of distortion can be achieved. In addition to this the effects of selective fading which are often encountered on the short wave bands can be minimized. As a result this form of detection is used in many high grade communications receivers.



Double Sideband Suppressed Carrier

Although Double Sideband Suppressed Carrier (DSB-SC.) is very seldom used, it is included here for the sake of completeness. Occasionally it is used by radio amateurs because it is simpler and cheaper to make a DSB-SC. transmitter than a full SSB. one, because it does not need the expensive filtering required by SSB.

To demodulate DSB-SC. the most convenient method is simply to use the filter in the receiver to remove one of the sidebands. Then it can be demodulated as if it were SSB. in the normal way.

To demodulate DSB-SC, making full use of both of the sidebands requires more complicated circuitry. Methods of demodulating DSB-SC require the carrier to be re-inserted, but unlike SSB, it has to be on exactly the right frequency. To achieve this it is possible to detect a small amount of carrier if any is transmitted and then amplify this. If no carrier is transmitted then it is still possible to generate it from the two sidebands. One way of doing this is to pass the signal through a square law device such as a diode. This produces a term which is at twice the carrier frequency. This can then be divided and used to demodulate the signal.

Another method is named the Costas loop named after its inventor. This uses the system shown below and is considerably more complicated in its operation.

