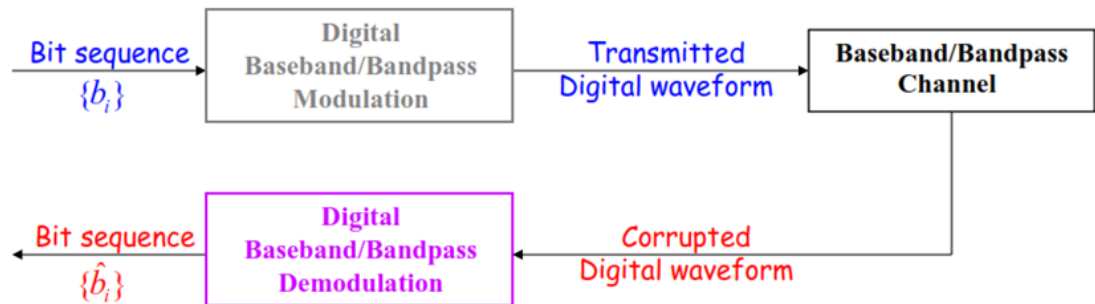


Problem Set 5

Digital Data Transmission

1. An Additive white Gaussian noise (AWGN) $n(t)$ with a power spectral density $N_0/2$ is applied to an ideal low pass filter with bandwidth B Hz. Let $y(t)$ denotes the filter output
 - a. Find and sketch the power spectral density at the filter output.
 - b. Find the total noise power at the filter output.
 - c. Find the probability density function of $y(t_0)$ at some time t_0 .
2. Find the average probability of error P_b of a digital communication system given that $P(b_i) = 0.3$, $P(\hat{b}_i = 1 | b_i = 0) = 0.05$, and $P(\hat{b}_i = 0 | b_i = 1) = 0.01$. Here, b_i refers to the transmitted bit and \hat{b}_i refers to the received bit



3. Consider a digital communication system, corrupted by AWGN with power spectral density $N_0/2$, that uses $s_1(t)$ to represent digit 1 and $s_2(t) = -s_1(t)$ to represent digit 0, where

$$s_1(t) = \begin{cases} A & 0 \leq t \leq \tau/2 \\ -A & \tau/2 \leq t \leq \tau \end{cases}$$

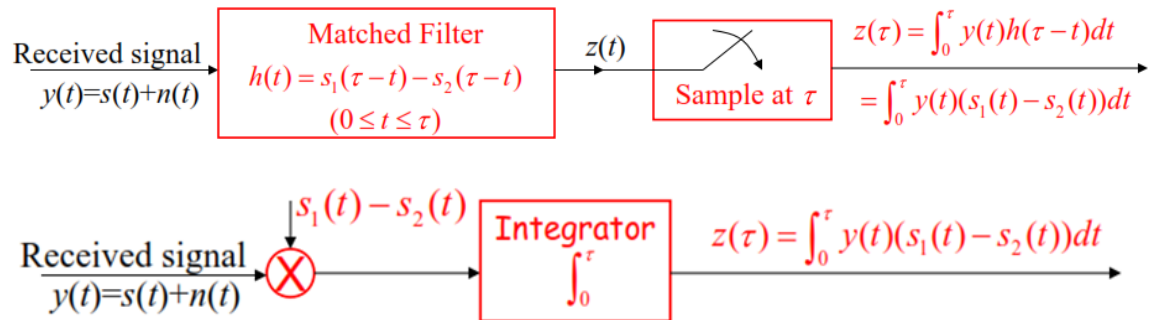
- a. Find and sketch the impulse response of the matched filter
- b. Find the optimum threshold used by the receiver when deciding between digits 0 and 1
- c. Find the system probability of error when the receiver employs the threshold of Part b.

4. Consider a digital communication system, corrupted by AWGN with power spectral density $N_0/2$, that uses $s_1(t)$ to represent digit 1 and $s_2(t)$ to represent digit 0, where

$$\begin{aligned} s_1(t) &= A, & 0 \leq t \leq \tau \\ s_2(t) &= 0, & 0 \leq t \leq \tau \end{aligned}$$

- Find and sketch the impulse response of the matched filter
- Find and sketch the output of the matched filter when $s_1(t)$ is applied at its input. At which time will the output be maximum?
- Find the output of the matched filter at $t = \tau$
- Find the output of the correlator at $t = \tau$

Parts c and d should have the same answer. That is, the following two receiver structures are equivalent in terms of the output at time $t = \tau$.



- Show that the two diagrams given in Problem 4 have the same output at $t = \tau$, for any two arbitrary signals $s_1(t)$ and $s_2(t)$. Consider only the signal part.
- Find the power spectral density of the unipolar non-return to zero waveform where

$$\begin{aligned} s_1(t) &= A, & 0 \leq t \leq \tau \\ s_2(t) &= 0, & 0 \leq t \leq \tau \end{aligned}$$

and $P(1) = P(0) = 0.5$

You can use the following formula, given in the notes

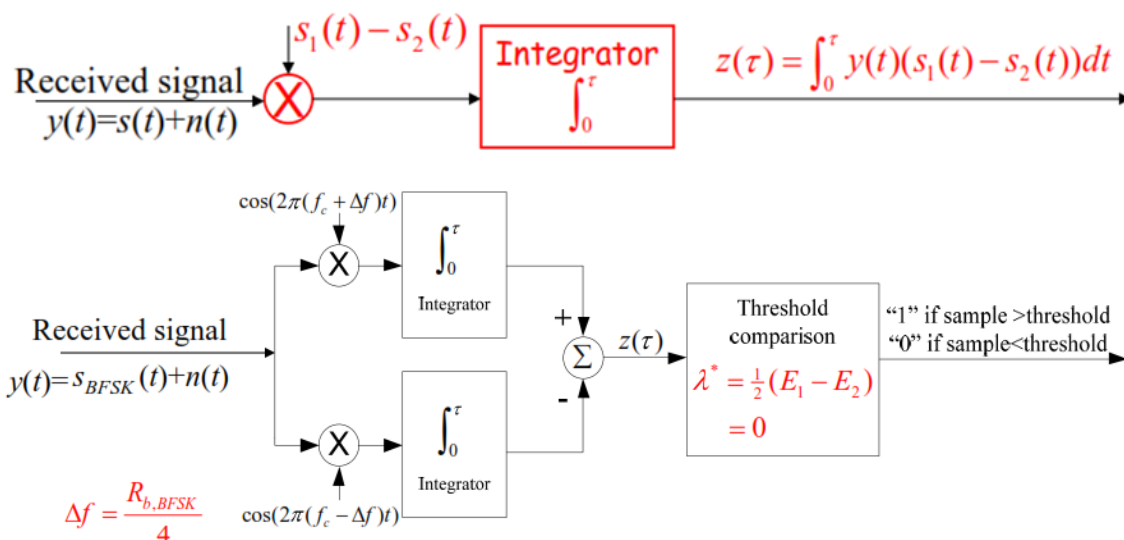
$$G_s(f) = \frac{1}{\tau} |V(f)|^2 \cdot \left(\sigma_z^2 + \frac{\mu_z^2}{\tau} \sum_{m=-\infty}^{\infty} \delta\left(f - \frac{m}{\tau}\right) \right)$$

- The binary sequence 11100101 is applied to an ASK modulator. The bit duration is $1 \mu s$ and the sinusoidal carrier wave used to represent symbol 1 has a frequency equal to 5 MHz.
 - Find the transmission bandwidth of the transmitted signal.

- b. Plot the waveform of the transmitted ASK signal.
8. The binary sequence 11100101 is applied to a PSK modulator. The bit duration is $1 \mu s$ and the sinusoidal carrier wave used to represent symbol 1 has a frequency equal to 5 MHz.
- Find the transmission bandwidth of the transmitted signal.
 - Plot the waveform of the transmitted PSK signal.
9. The binary sequence 11100101 is applied to a QPSK modulator. The bit duration is $1 \mu s$ and the sinusoidal carrier frequency is 6 MHz.
- Calculate the transmission bandwidth of the QPSK signal
 - Plot the waveform of the QPSK signal
10. Consider a binary ASK modulator where the bit duration is $1 \mu s$ and the sinusoidal carrier wave used to represent symbol 1 has a frequency equal to 5 MHz.
- Draw the block diagram of the optimum coherent demodulator.
 - Draw the block diagram of a noncoherent demodulator. Here, the receiver does not know the exact value of the frequency of the received signal
11. Consider an FSK system that uses the signals $s_1(t) = A\cos(2\pi f_1 t)$ and $s_2(t) = A\cos(2\pi f_2 t)$. Show that $s_1(t)$ and $s_2(t)$ are orthogonal when $f_1 = nR_b$ and $f_2 = mR_b$ where n and m are integers, $n \neq m$, i.e., show that

$$\int_0^{1/R_b} s_1(t)s_2(t)dt = 0$$

12. Show that the following two configurations of the optimum FSK receiver are equivalent



where, $s_1(t) = A\cos(2\pi(f_c + \Delta f)t)$ and $s_2(t) = A\cos(2\pi(f_c - \Delta f)t)$.

13. Find the probability of error of an FSK system that uses the signals $s_1(t) = A\cos(2\pi f_1 t)$ and $s_2(t) = A\cos(2\pi f_2 t)$, where $f_1 = nR_b$ and $f_2 = mR_b$ and n and m are integers, $n \neq m$.
14. Find the bandwidth of the FSK system in Problem 13.