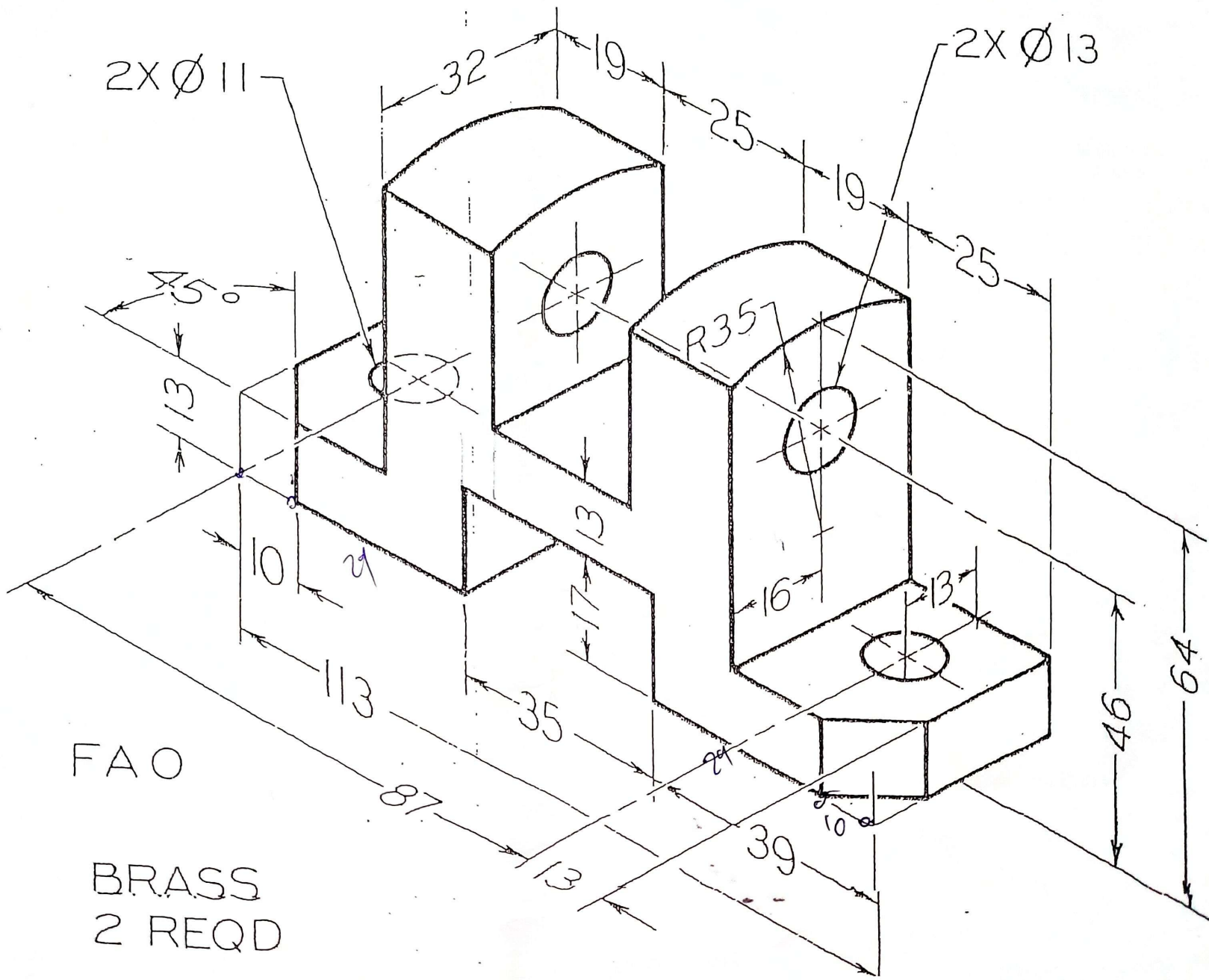
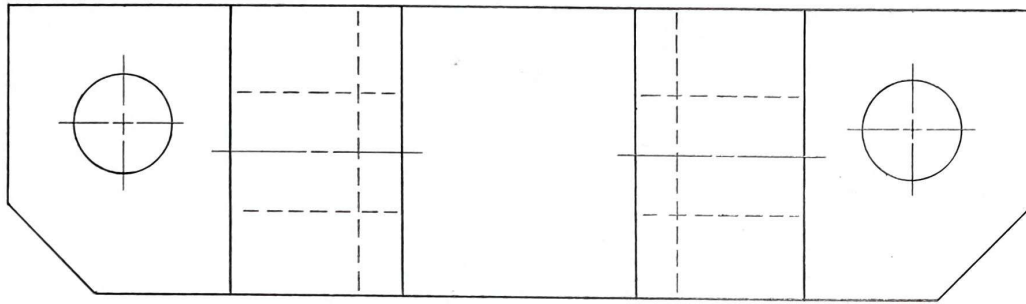


Scale 2:1  
(X,y) = (60,35)



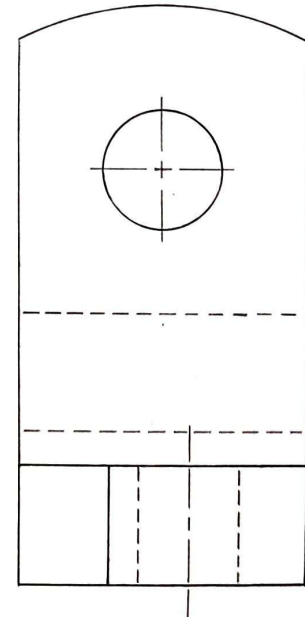
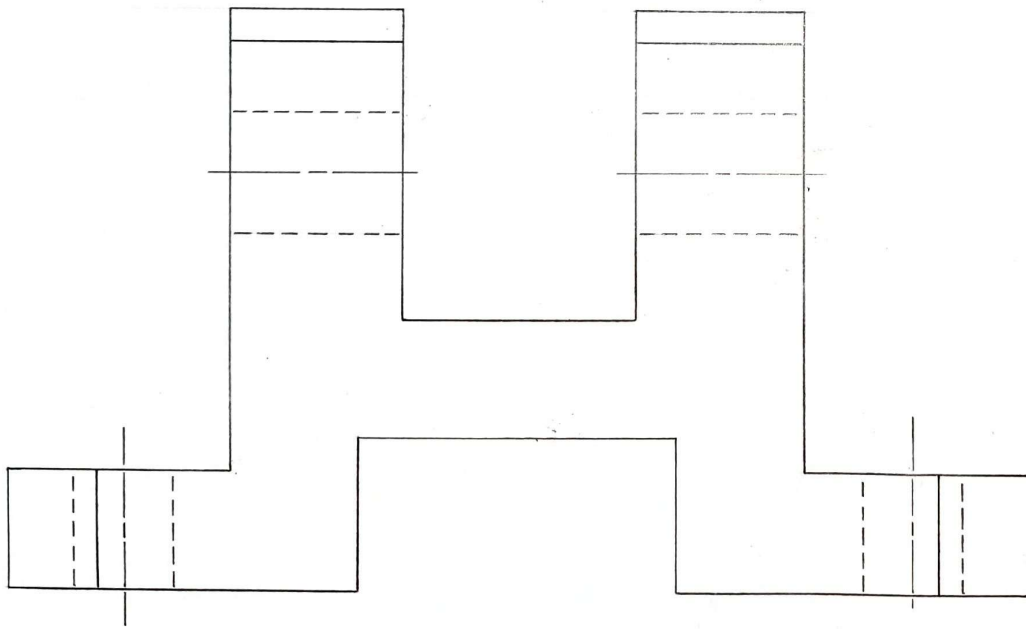
FAO

BRASS  
2 REQD



99/100

done



VIEWS

OBAYDA SARRAJ

1211128

R10

31/10/2021

2:1

Homework:

(x,y) = (65,50)

Scale 2:1

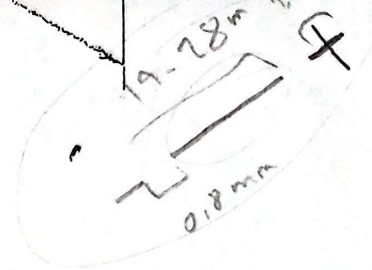
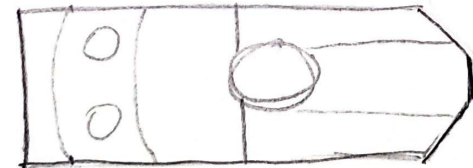
Views  
~~Views~~

METRIC

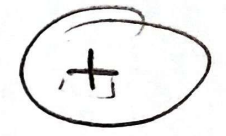
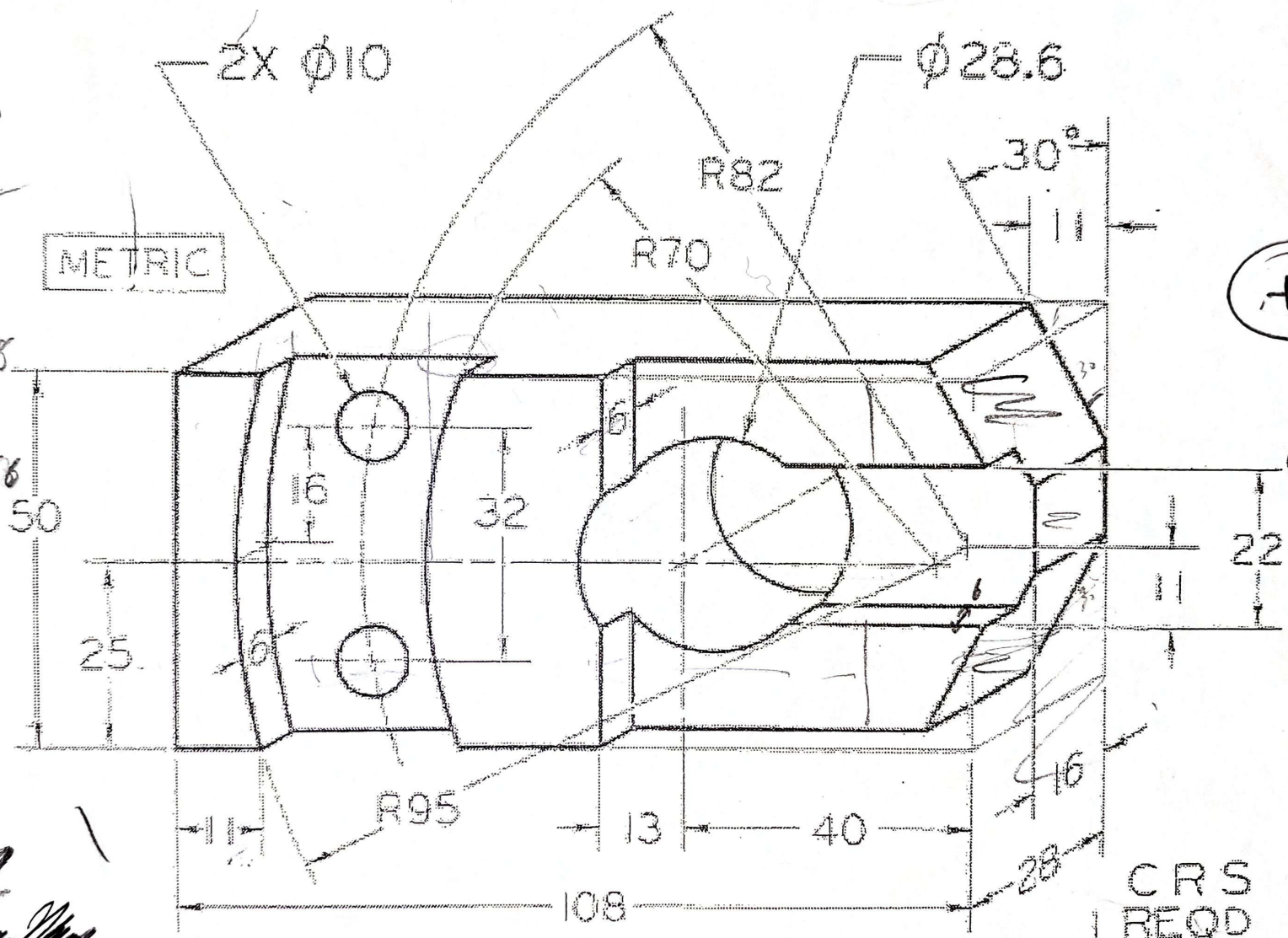
w : 108 x 2 = 216  
h : 50 x 2 = 100  
d : (28 x 2) = 56

View i

~~W~~



(x,y)

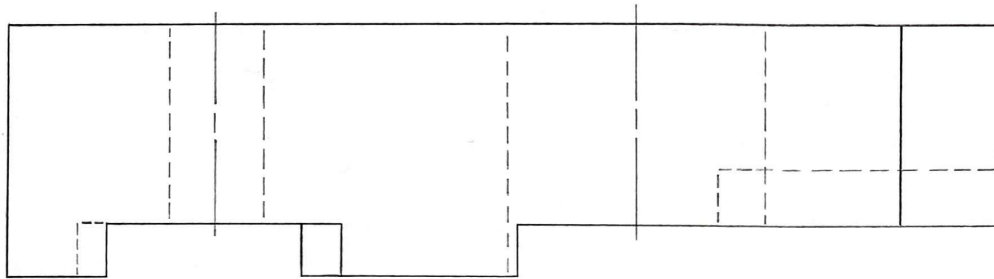


~~22~~

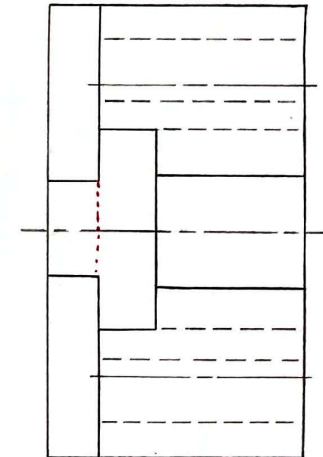
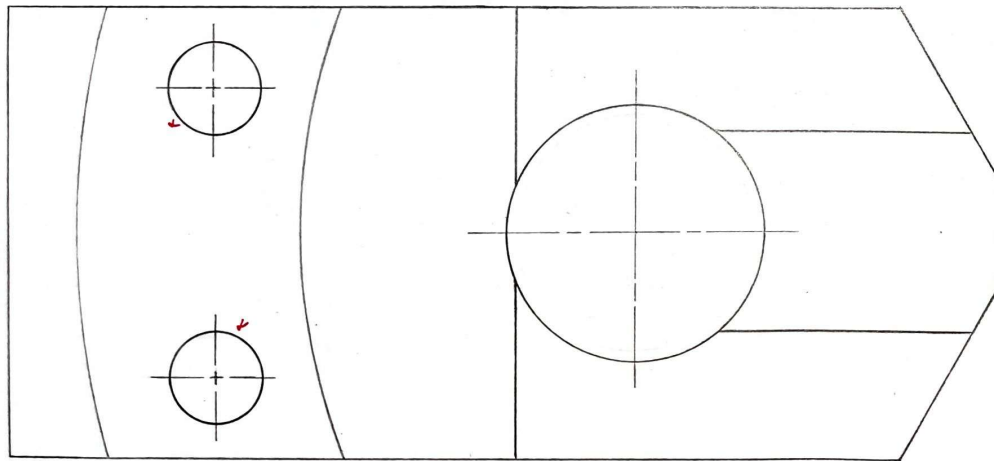
28

$$18 + 74 = 50 + 32 = 82$$

~~W~~



97/100



VIEWS

OBAYDA SARRAJ

121128

R10

10/11/2021

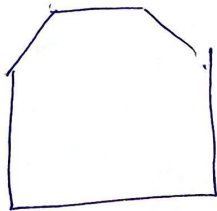
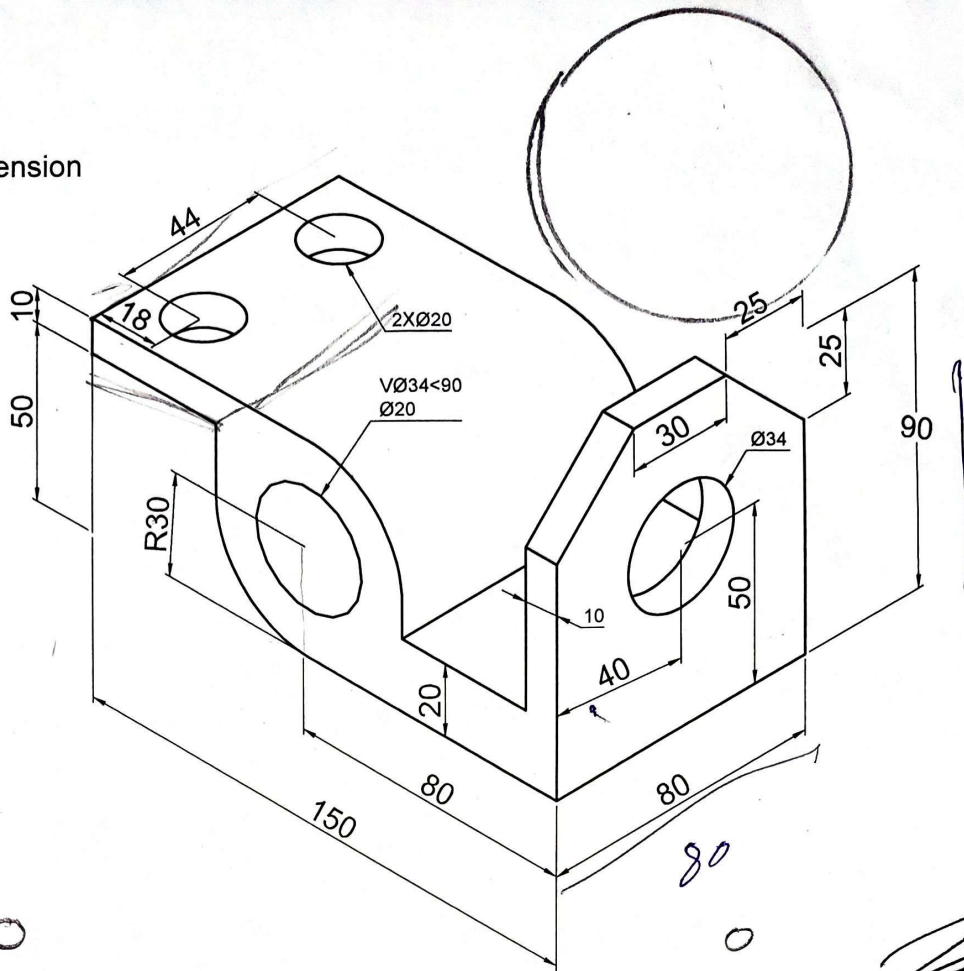
2:1



Draw and add Dimension

- Front View
- Top View
- Right View
- (X,Y)=(83,52)
- Scale 1:1

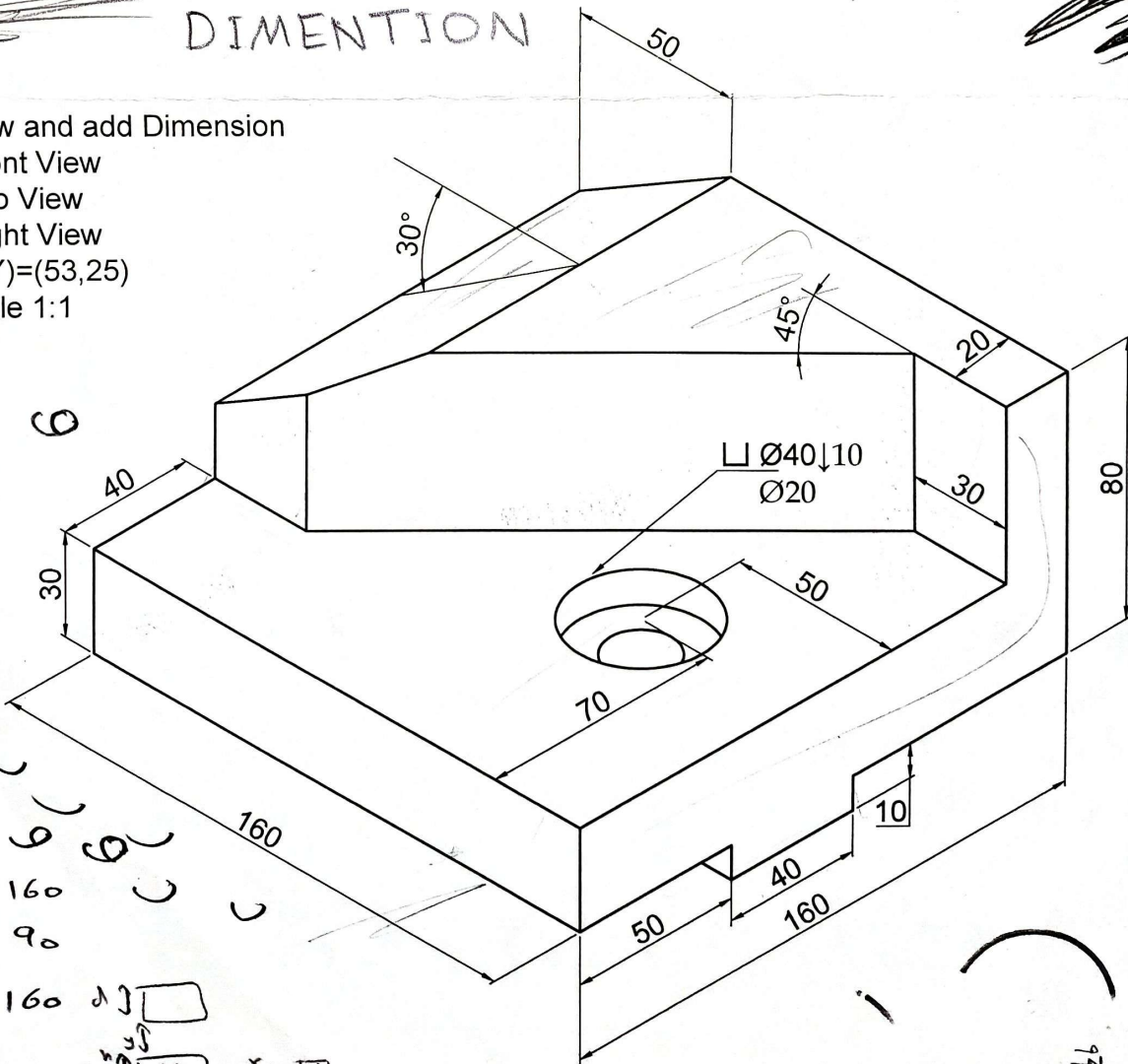
w = 150  
 h = 90  
 d = 80



DIMENTION

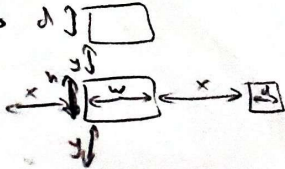
Draw and add Dimension

- Front View
- Top View
- Right View
- (X,Y)=(53,25)
- Scale 1:1

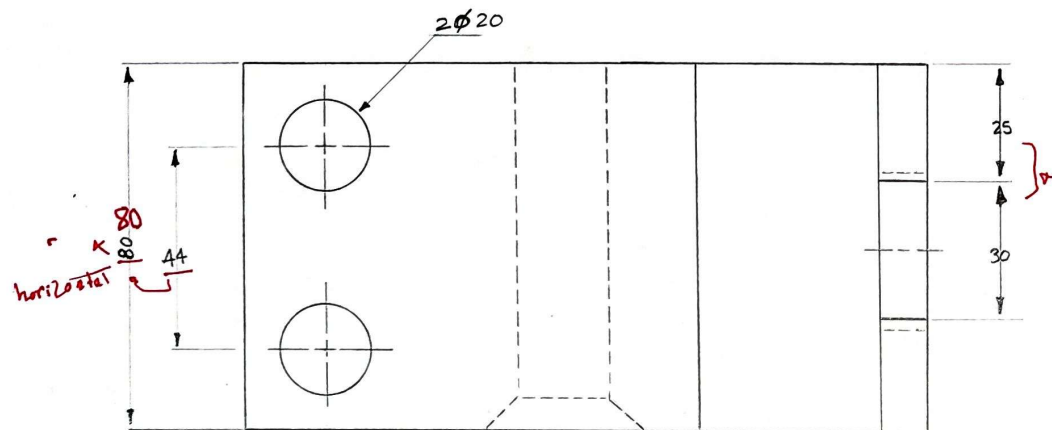


B  
 B  
 B  
 B  
 B

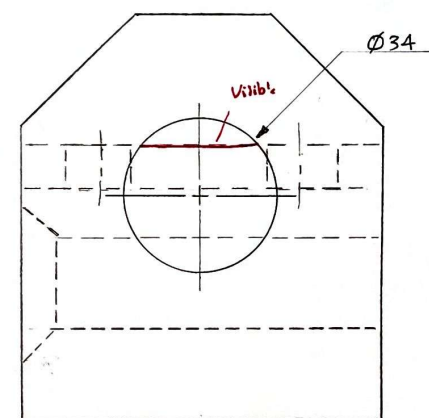
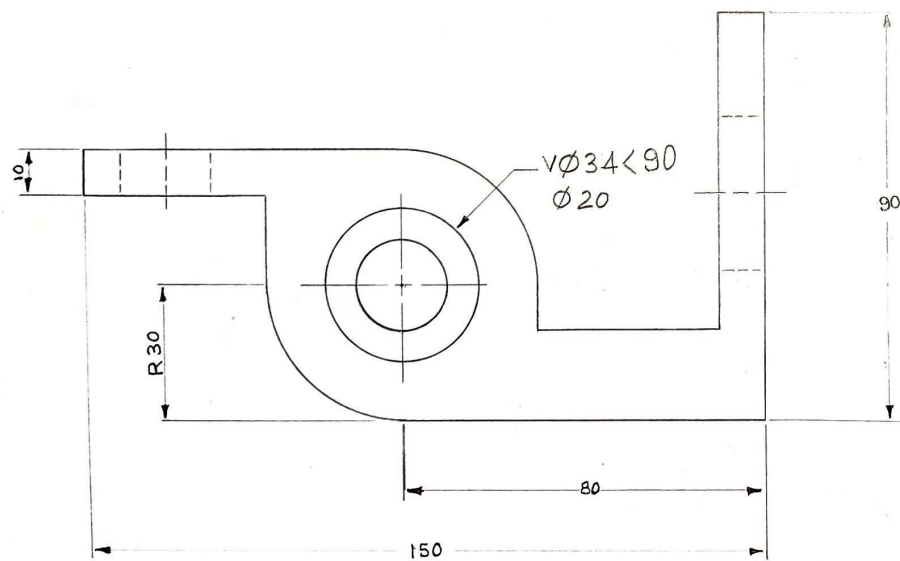
w = 160  
 h = 90  
 d = 160



OBAYDA SARRAJ



95/100



DIMENTION

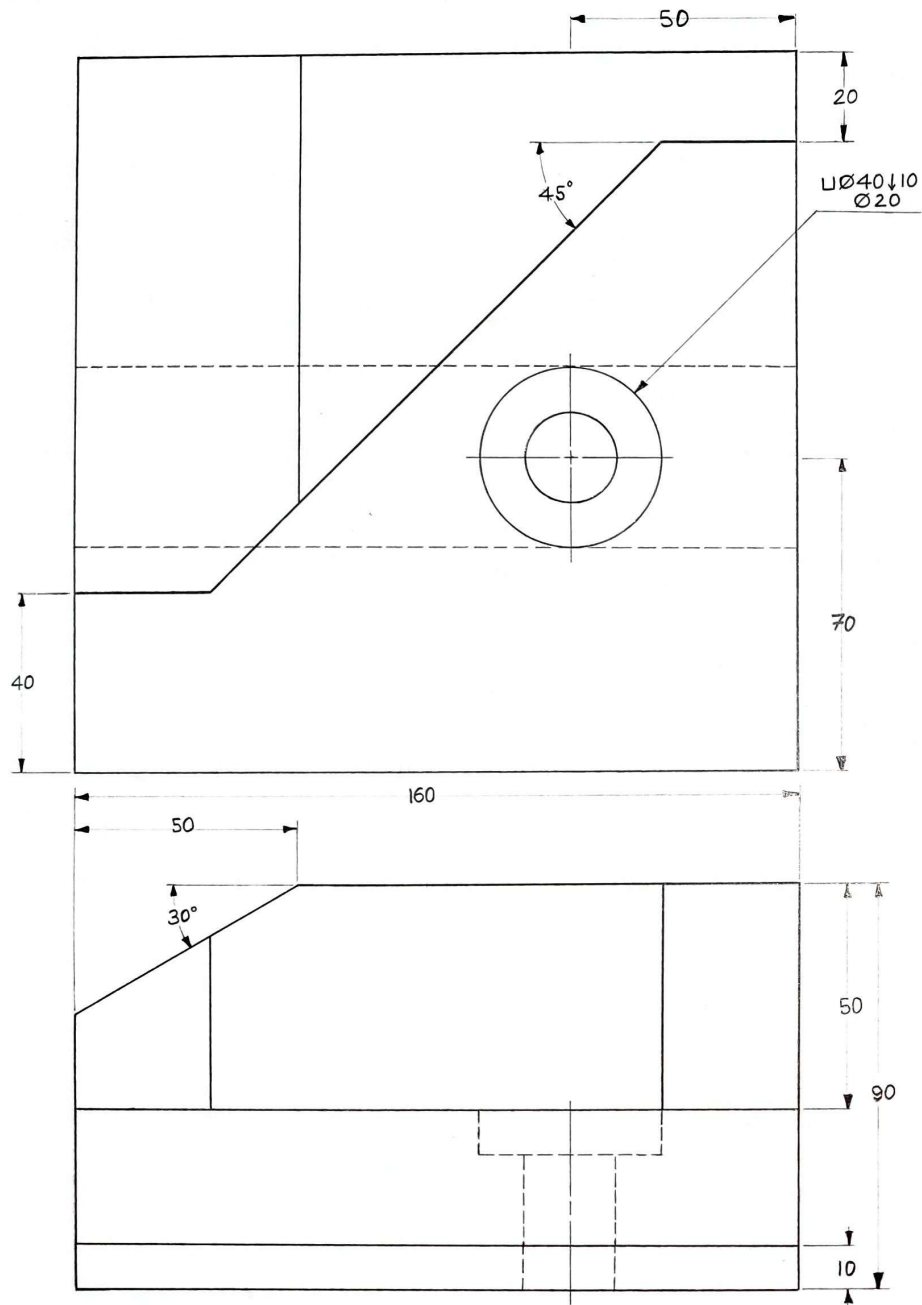
OBAYDA SARRAJ

1211128

R10

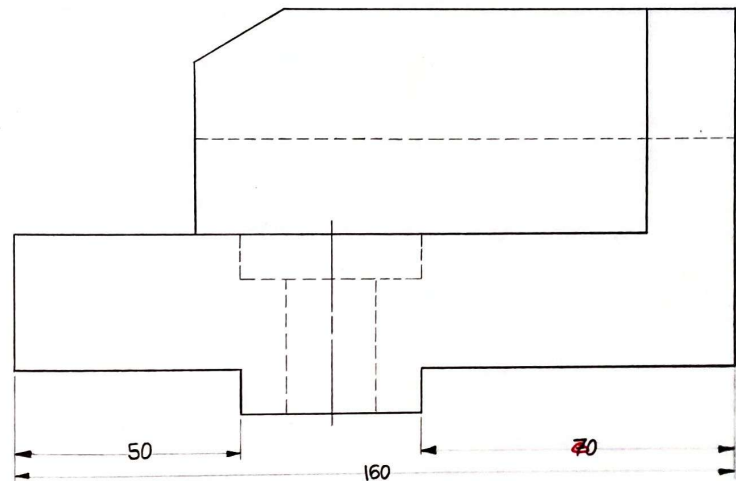
18-11-2021

1:1



UØ40↓10  
Ø20

99/100



DIMENTION

OBAYDA SARRAJ

1211128

RI0

24/11/2021

1:1



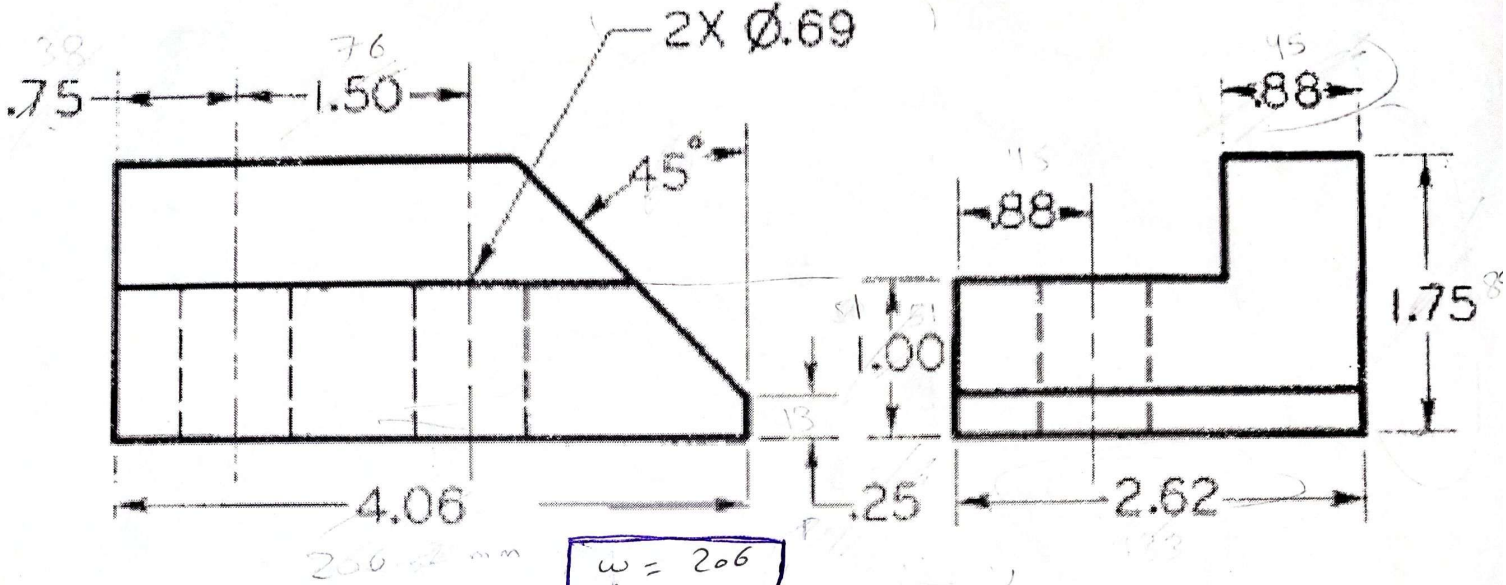
$l_{neck} = 2,54 \text{ cm}$   
 $= (25.4 \text{ mm}) \times 2 (\text{Scale})$   
 $= 50.8$   
 ↑ ب نضرب كل شيء ب

MISSING ~~VIEW~~ VIEW

Classwork:

(x,y) = (40,30)

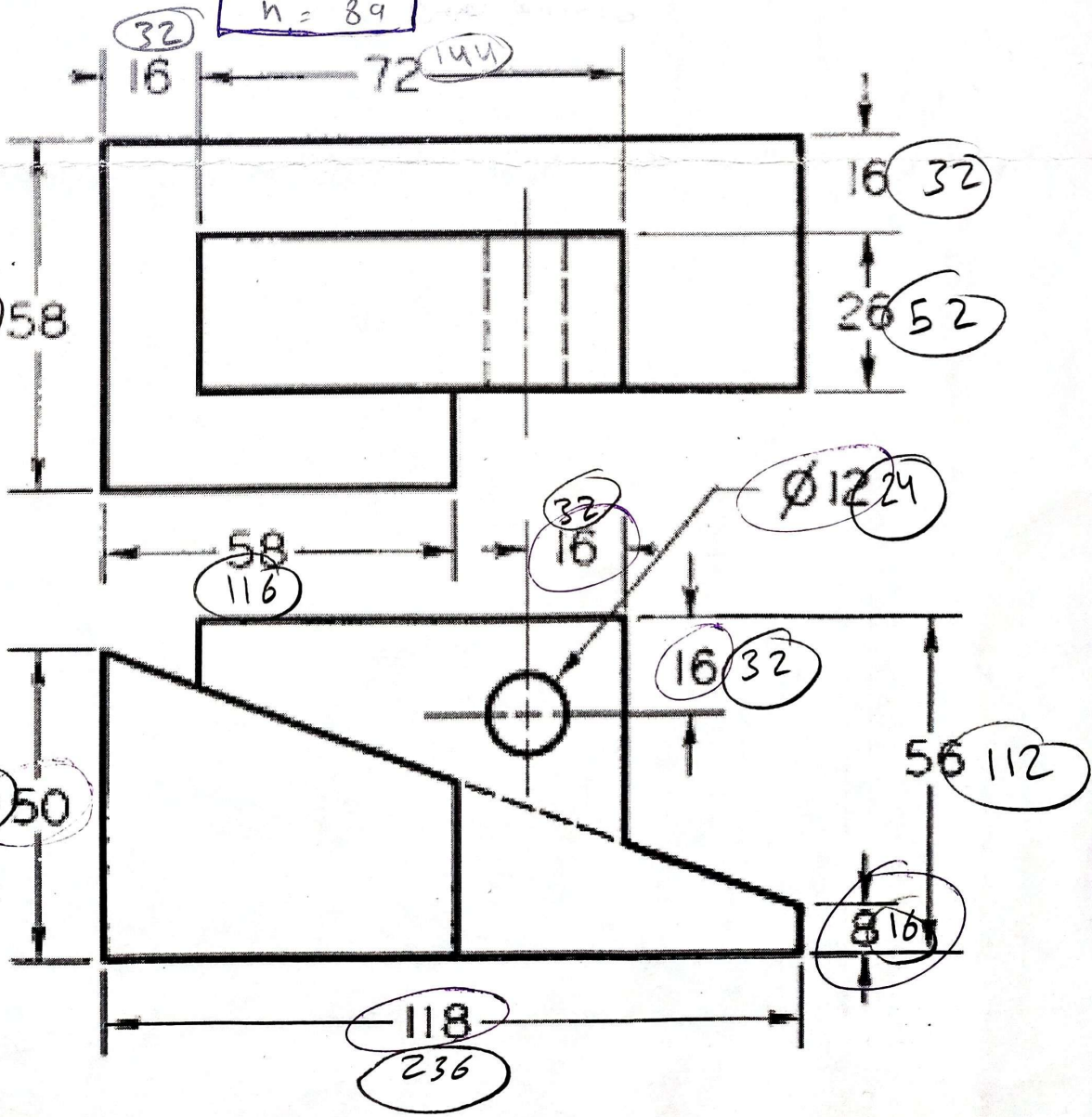
Scale: 2:1



Homework:

(x,y) = (40,30)

Scale: 2:1



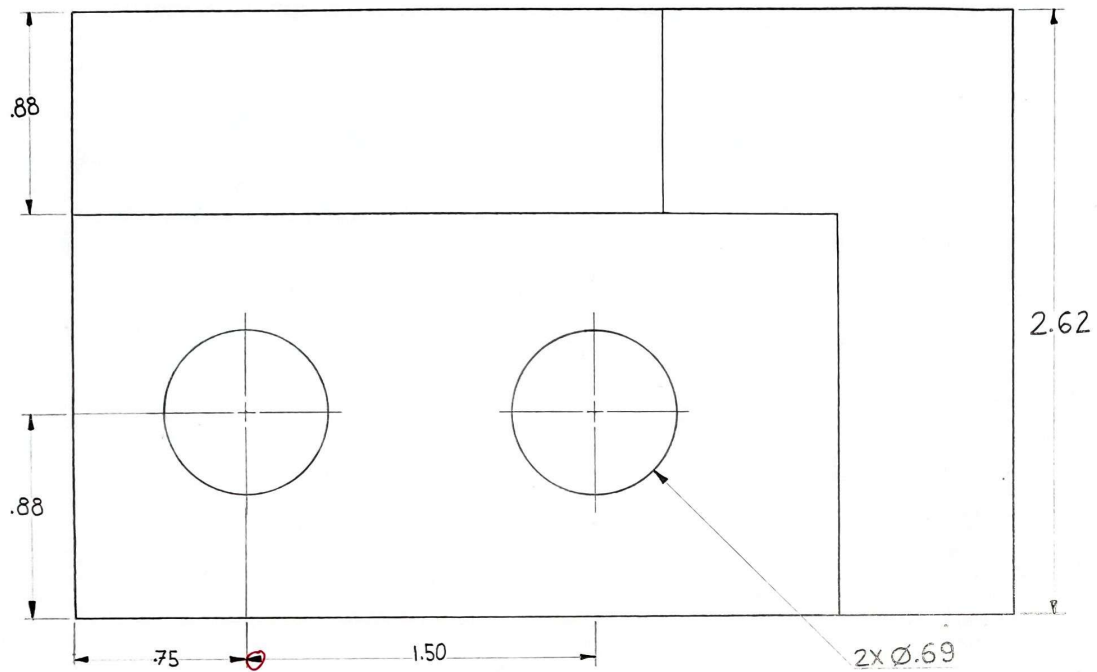
$w = 236$   
 $h = 112$   
 $d = 116$

B 100%

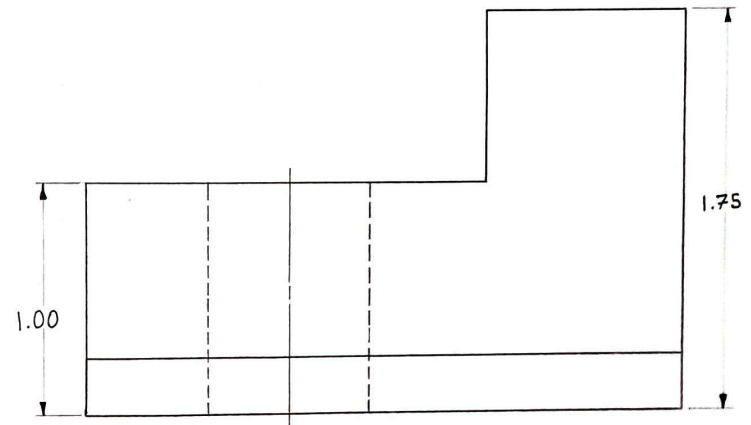
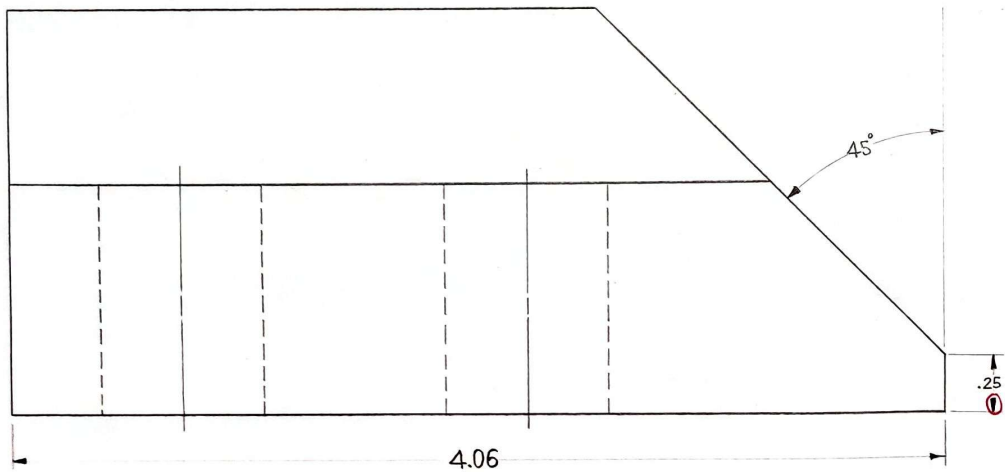
~~D~~

150 386 420 542





98/100



MISSING VIEW

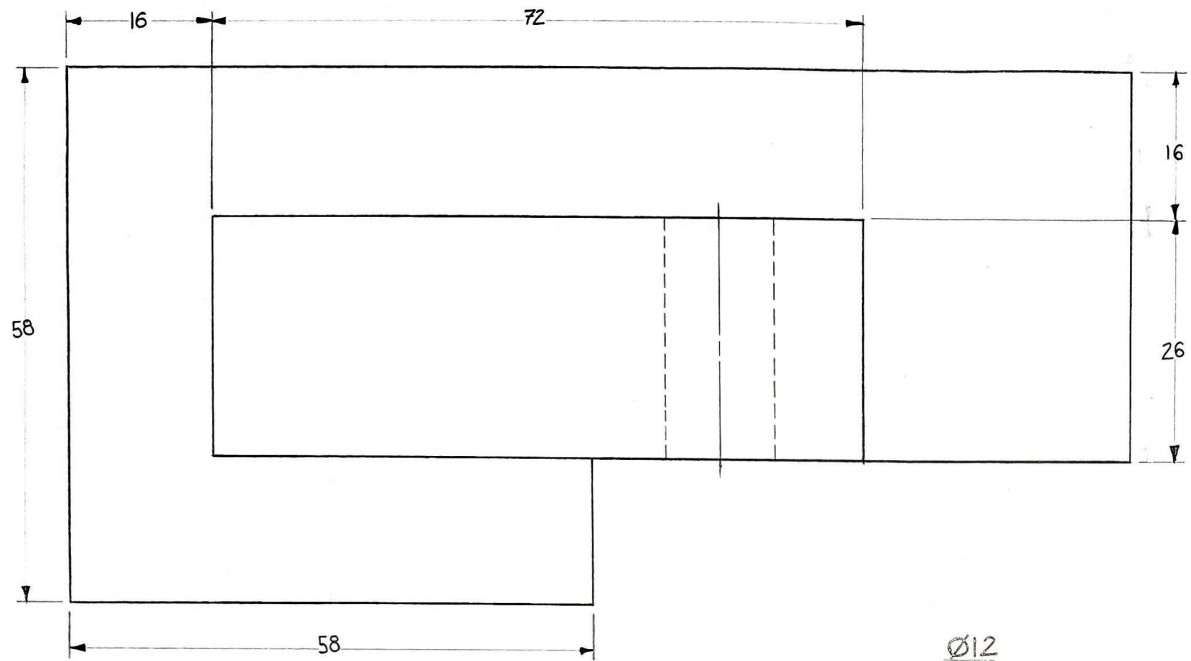
OBAYDA SARRAJ

1211128

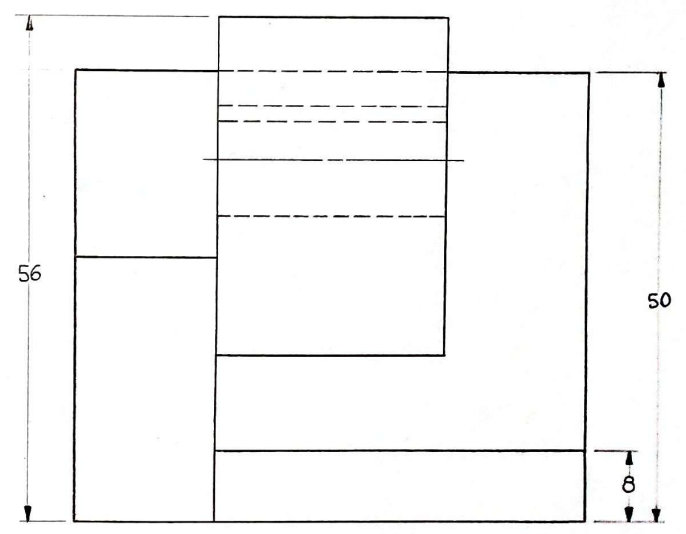
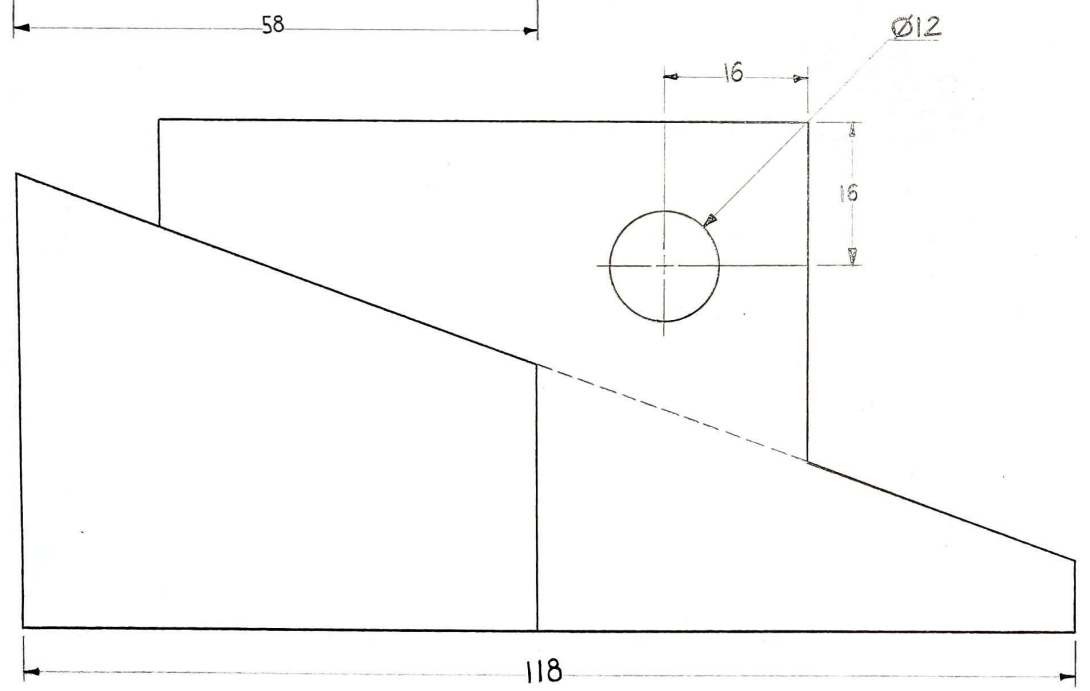
R10

24/11/2021

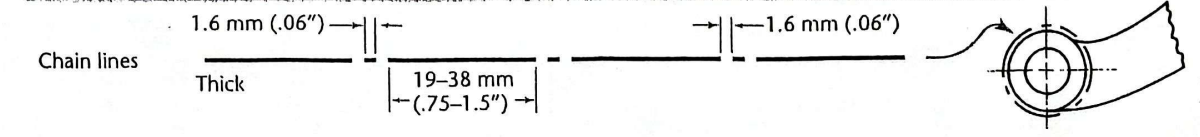
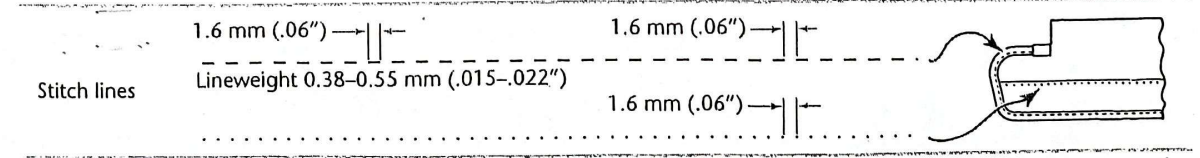
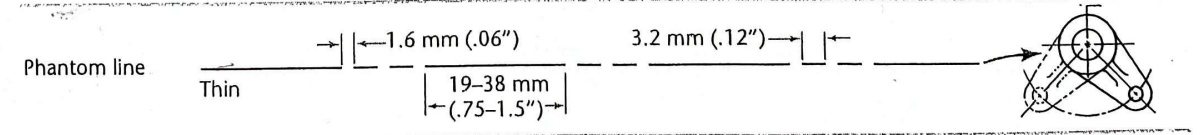
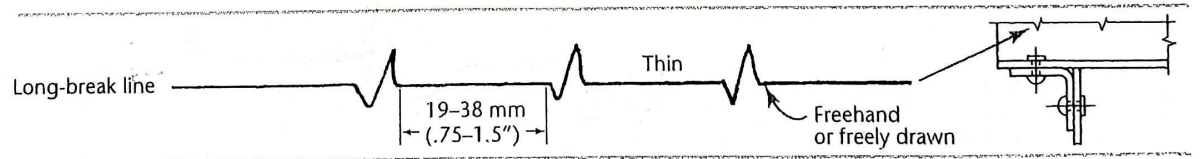
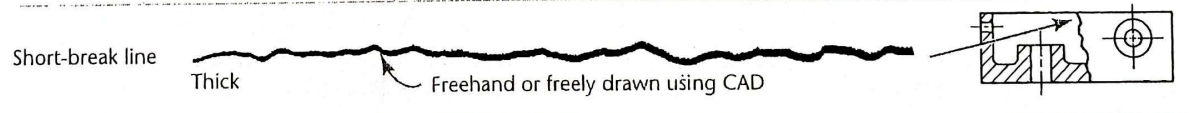
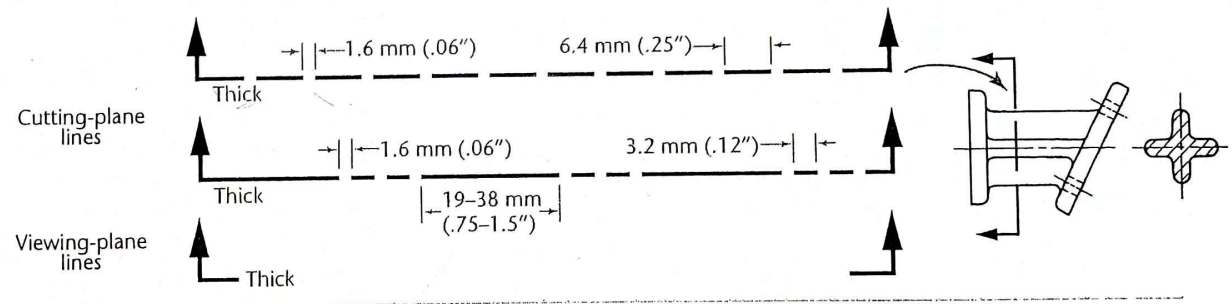
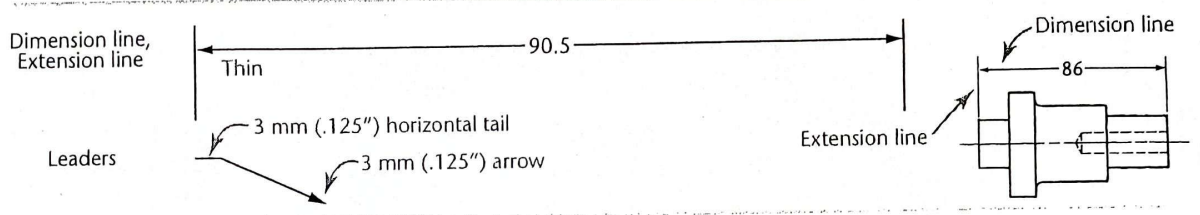
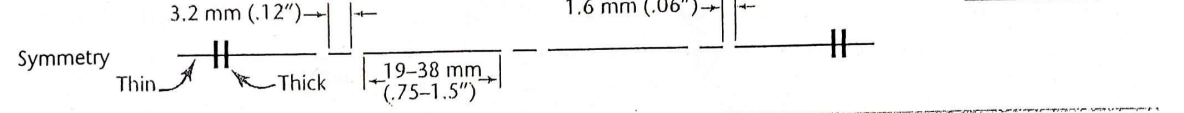
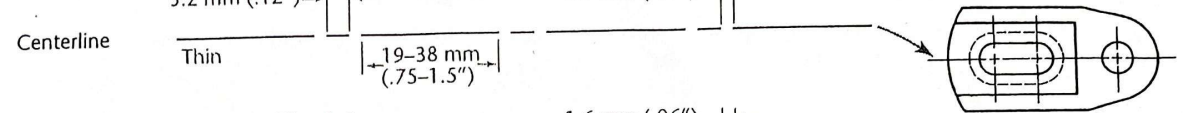
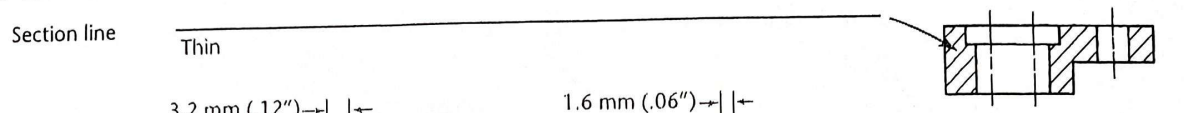
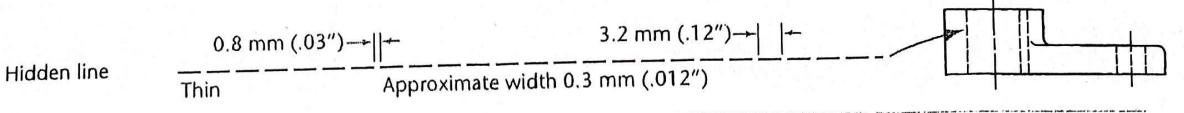
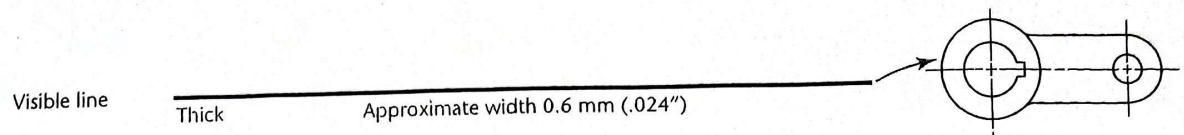
2:1



AS/100  
Arrow !!



MISSING VIEW	OBAYDA SARRAJ	1211128	R10	2/12/2021	2:1
--------------	---------------	---------	-----	-----------	-----





Section 1

Classwork: Full Section

(x,y) = (30,30)

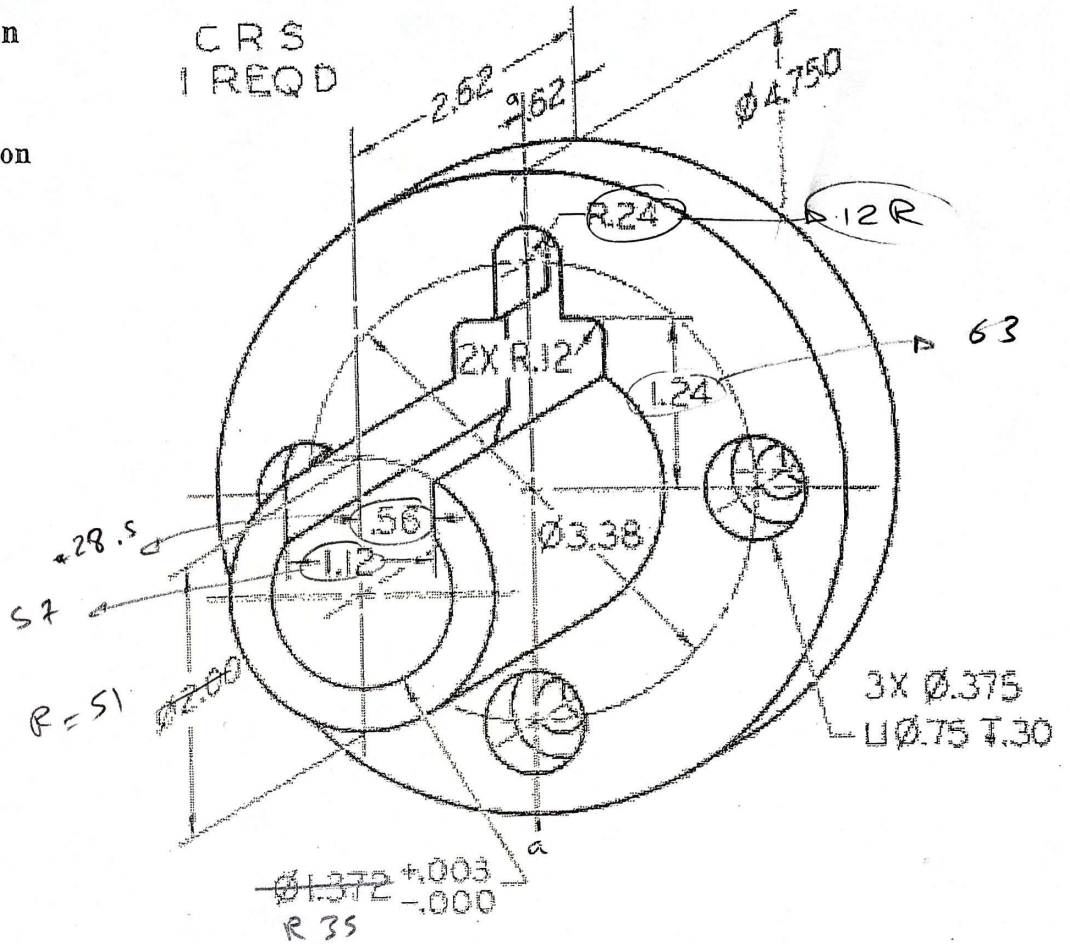
Front + Right in Full section

Scale: 2:1 S. 8

w = 241

h = 241

d = 133

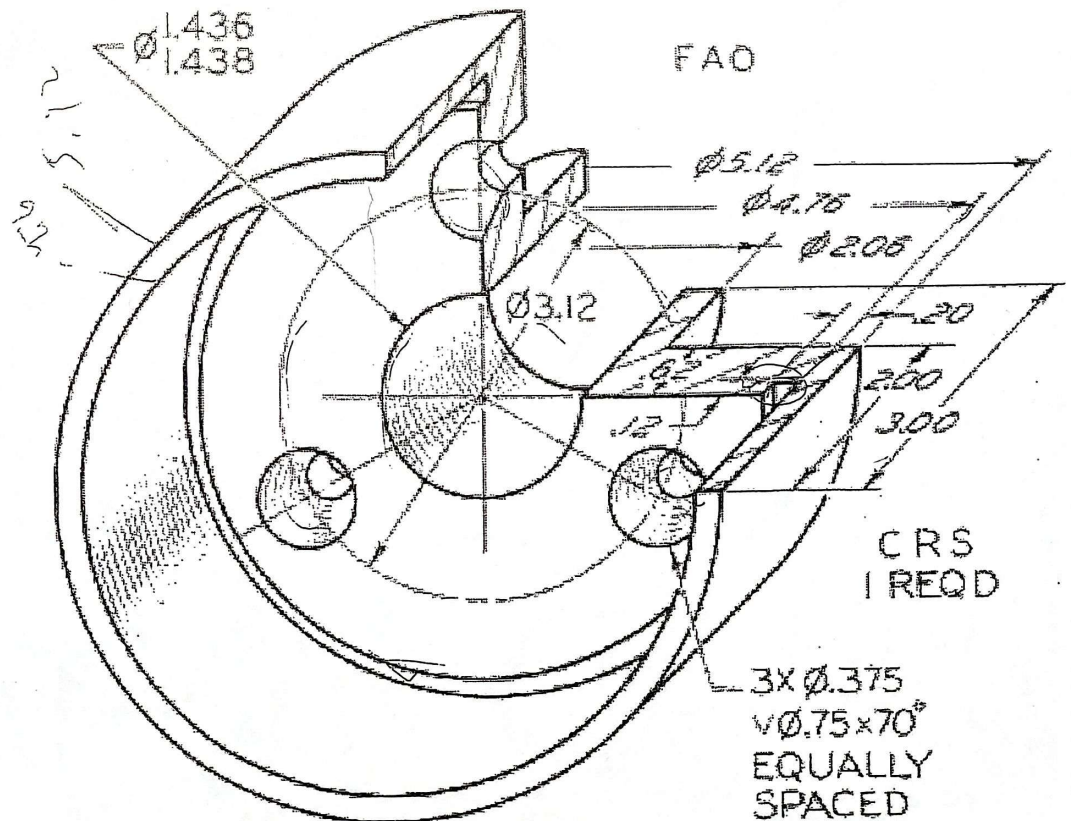


Homework: Half Section

(x,y) = (20,20)

Front + Right in Half section

Scale: 2:1



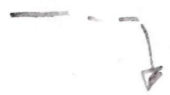
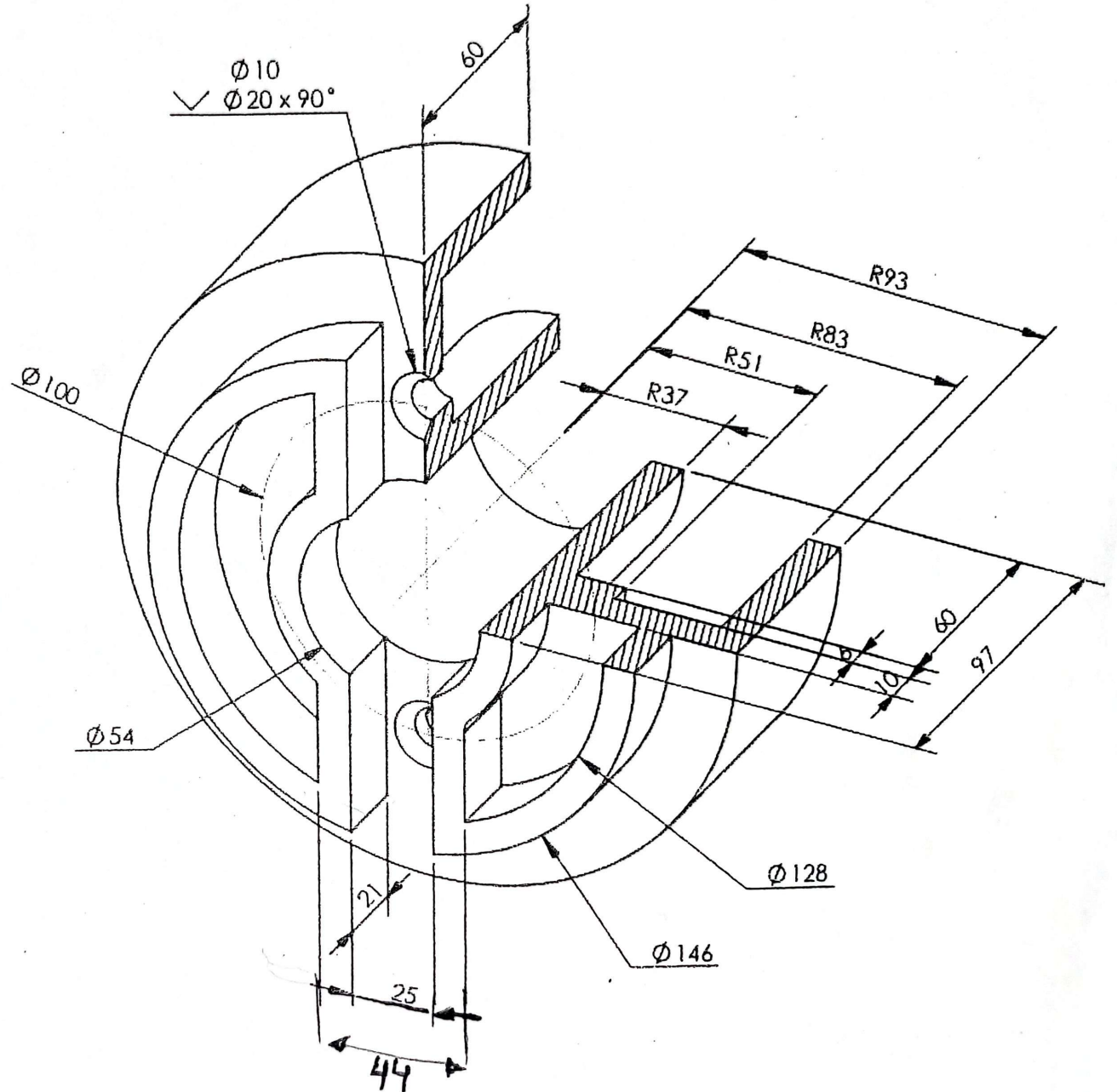


$\phi 1.372^{+0.003}_{-0.000}$   
34.3

**Homework: Half Section**

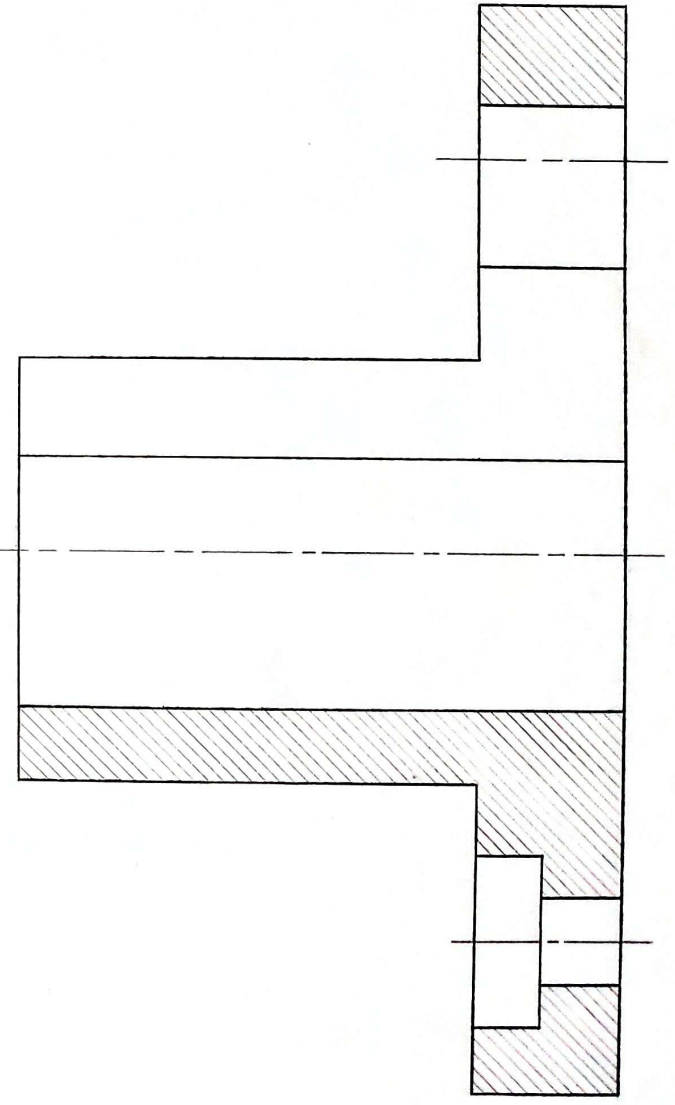
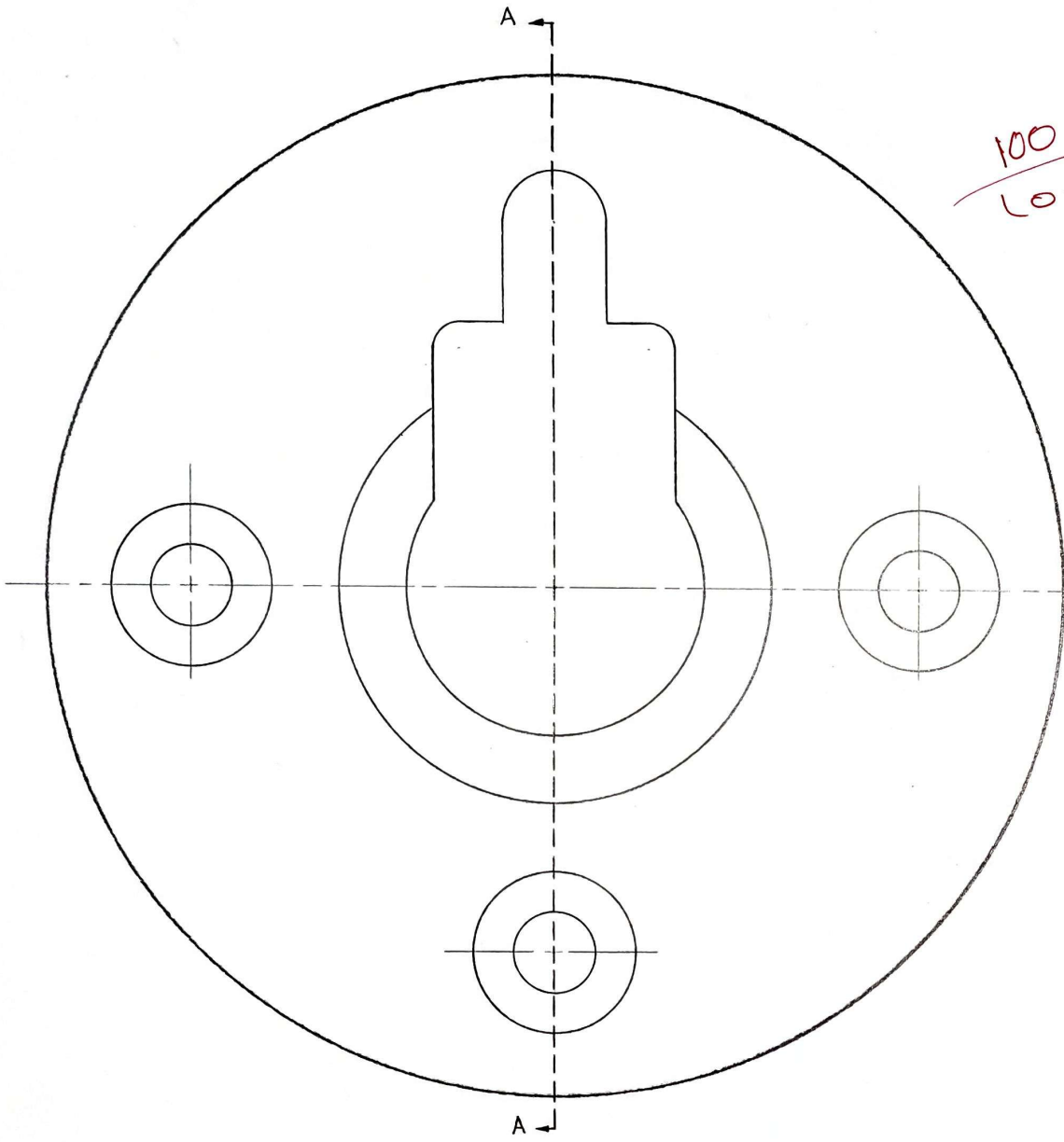
**Front + Right in Half  
Section**

**Scale 1:1**



*[Handwritten signature]*

100  
---  
200



FULL SECTION

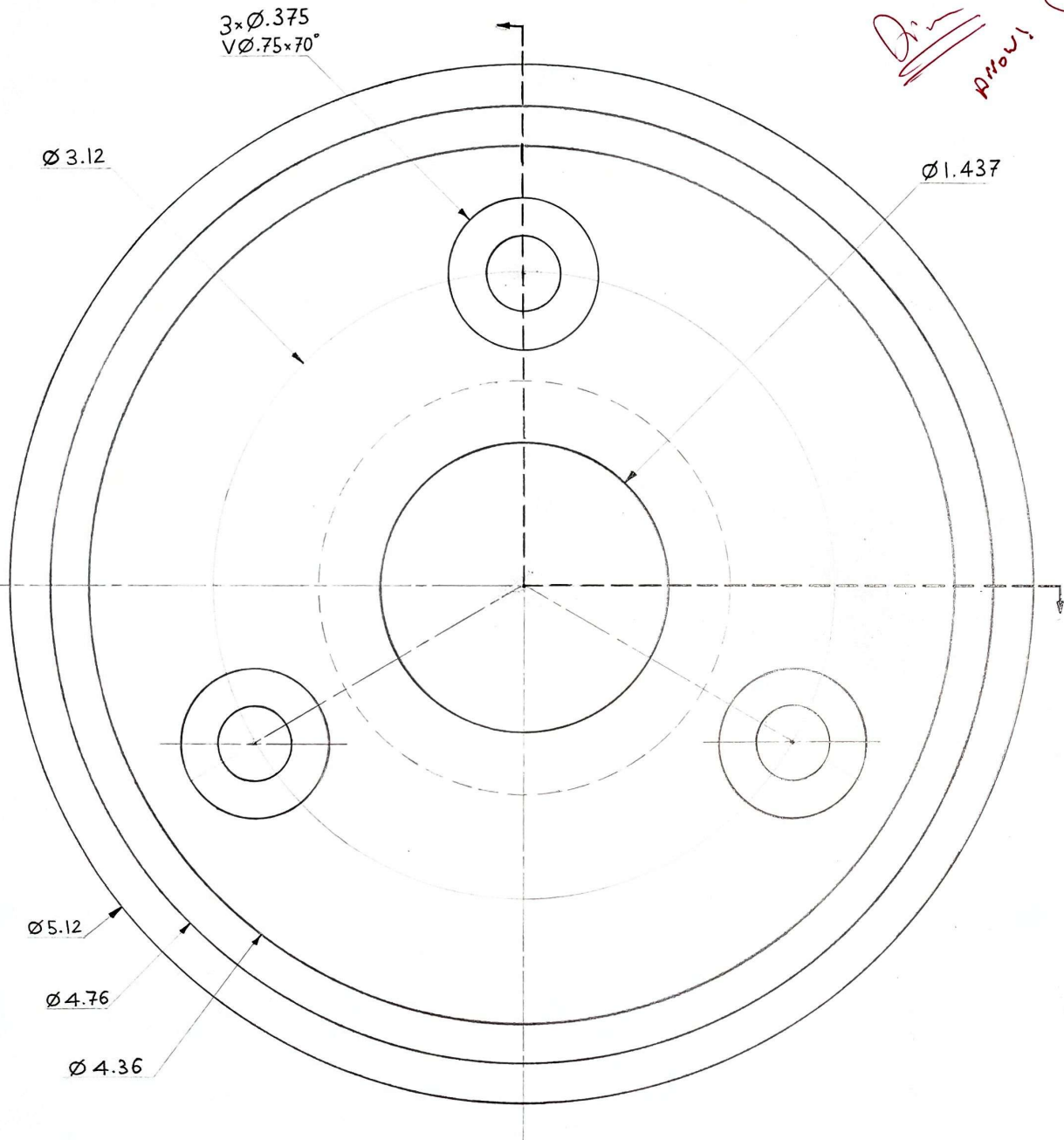
OBAYDA SARRAJ

12/11/28

R10

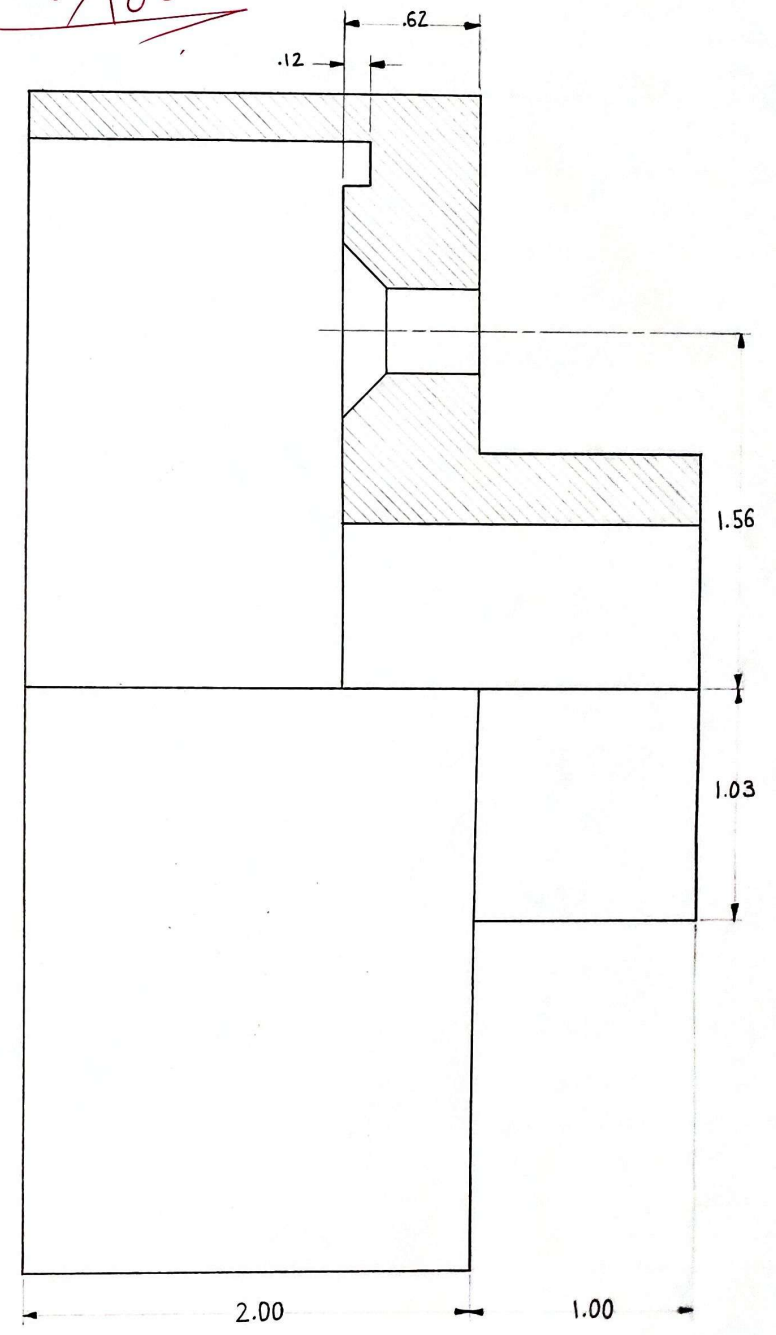
13/12/2021

2:1



*Dim*  
*Arrow!*

*94/100*



HALF SECTION

OBAYDA SARRAJ

1211128

R10

2/12/2020

2:1



Classwork: Aligned Section

(x,y) = (105,26)

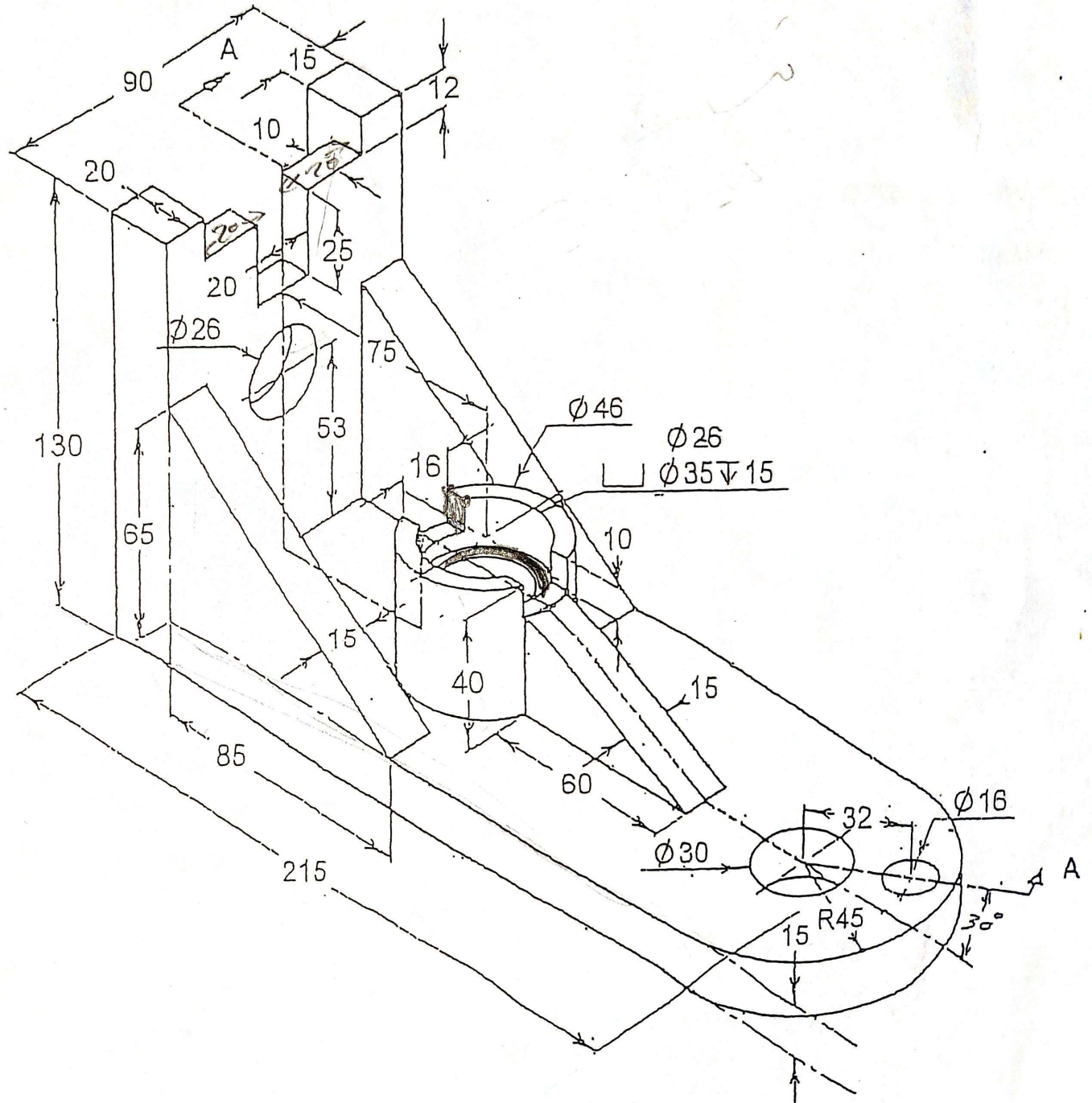
Top + Front in Aligned section

Scale: 1:1

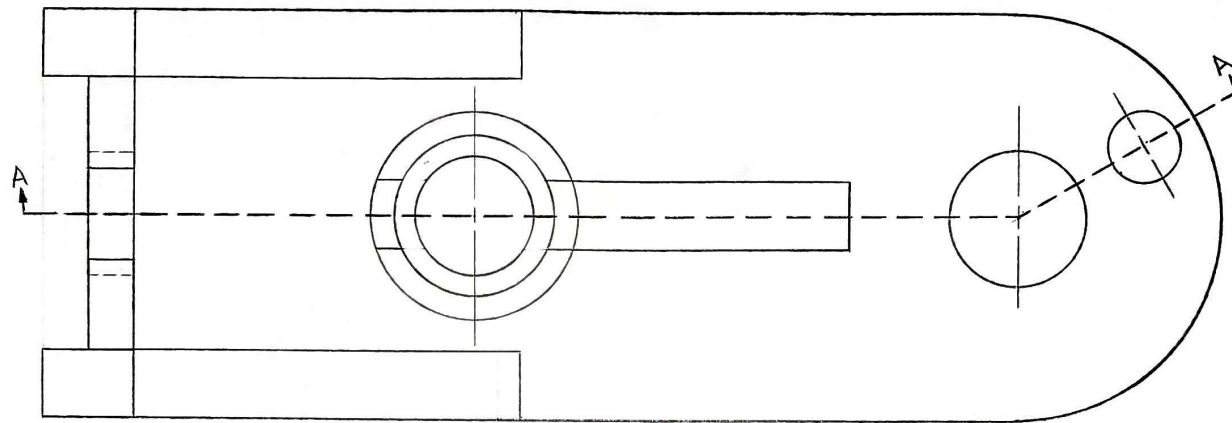
$w = 260$

$h = 130$

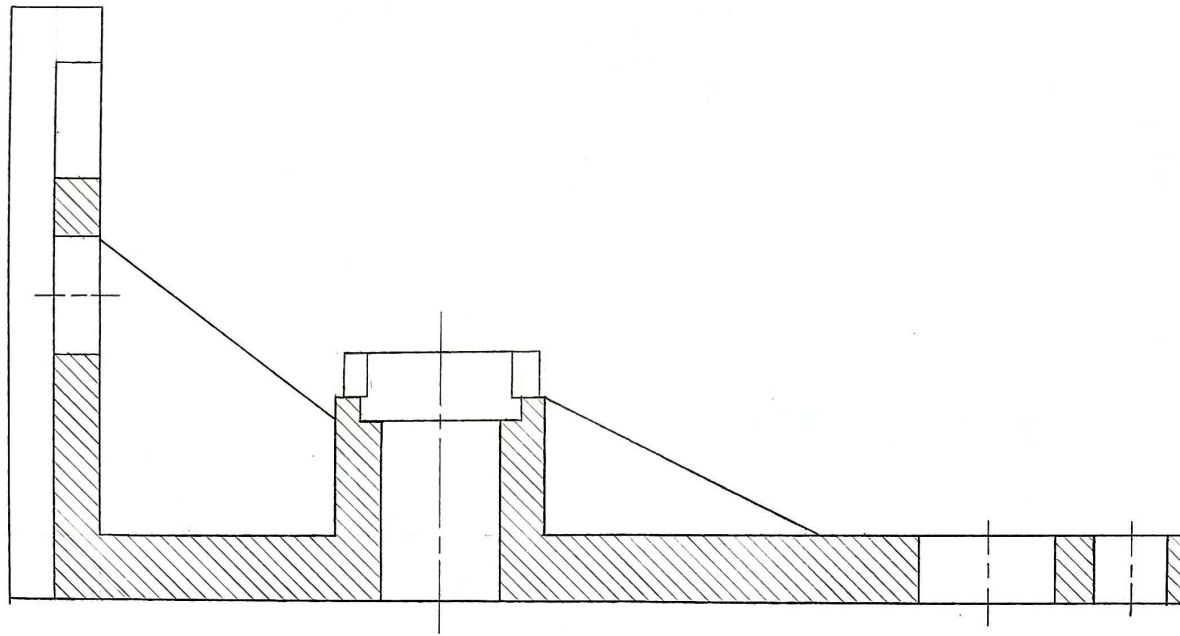
$d = 90$







98/100



VIEWS

OBAYDA SARRAJ

1211128

RTD

10/12/2021

1:1

# Homework: Offset Section

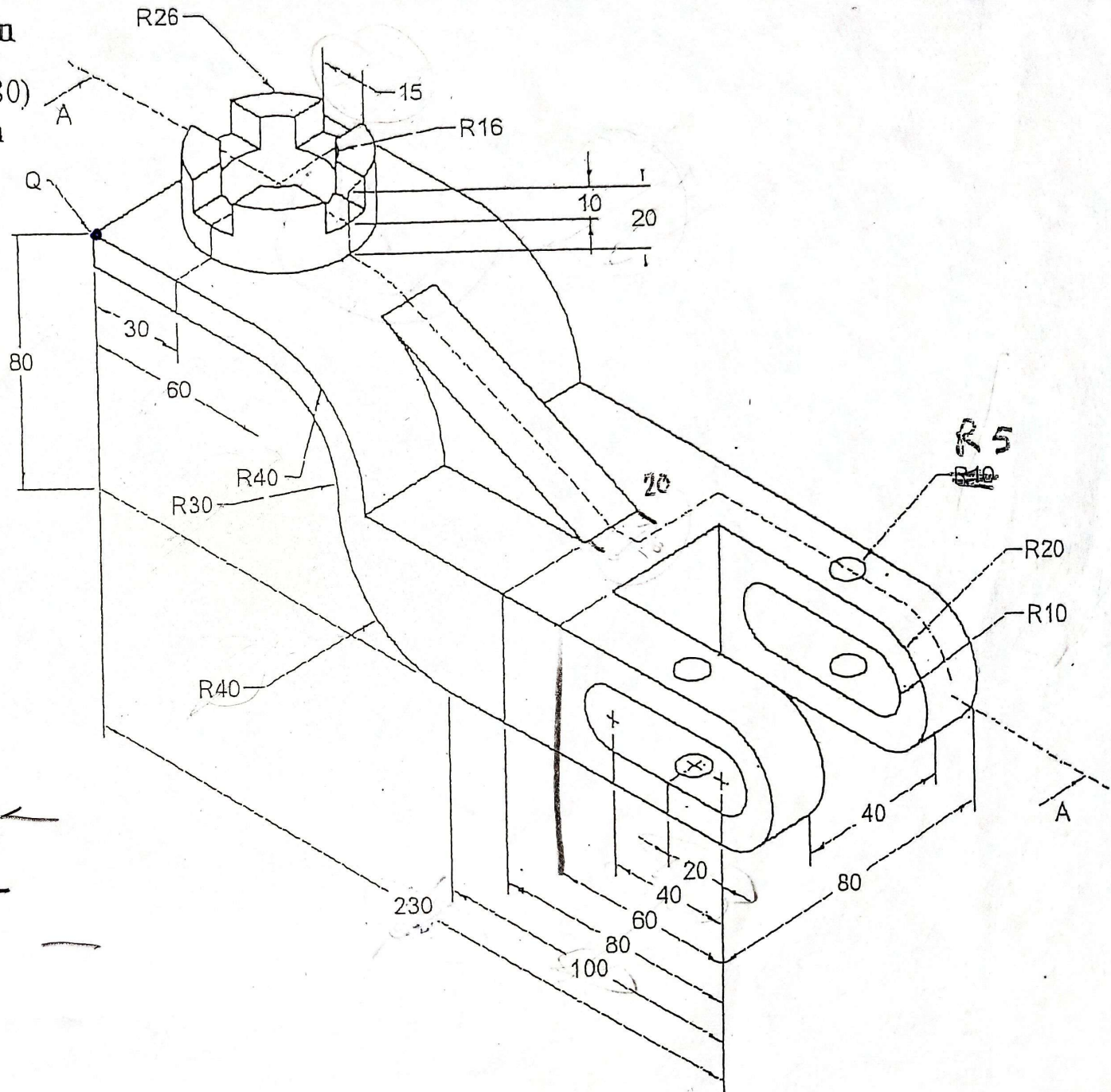
Point Q in top view =  $(110, 180)$   
 Top + Front in Offset section

Scale: 1:1

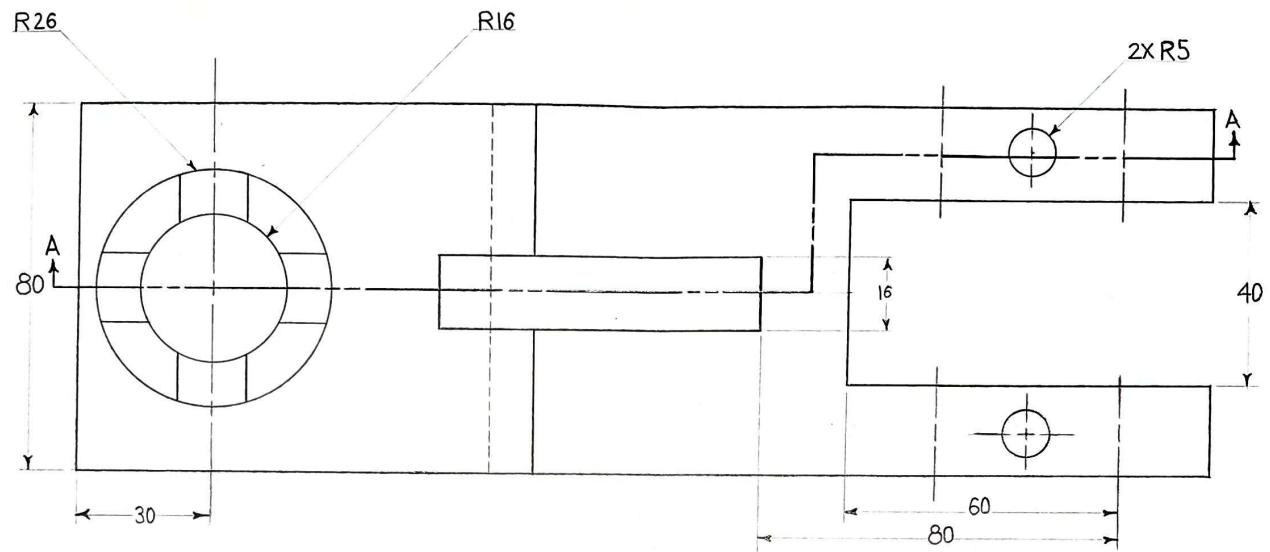
$w = 250$

$h = 100$

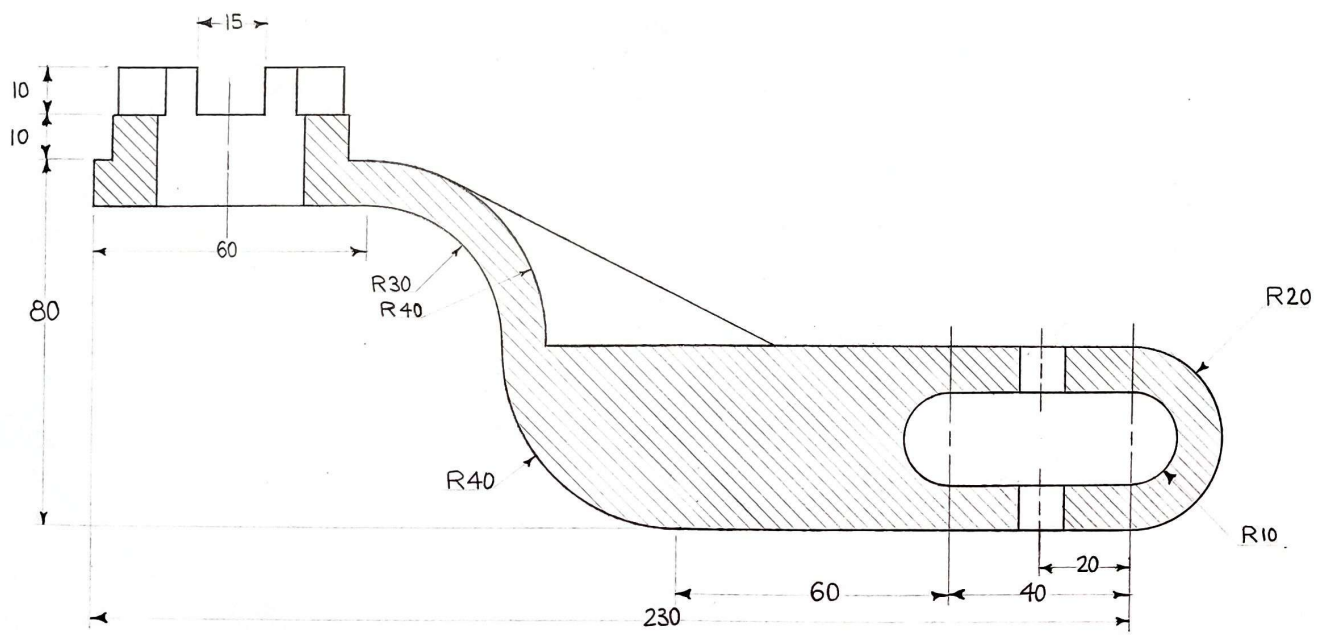
$d = 80$



2.5-3 mr



98/100

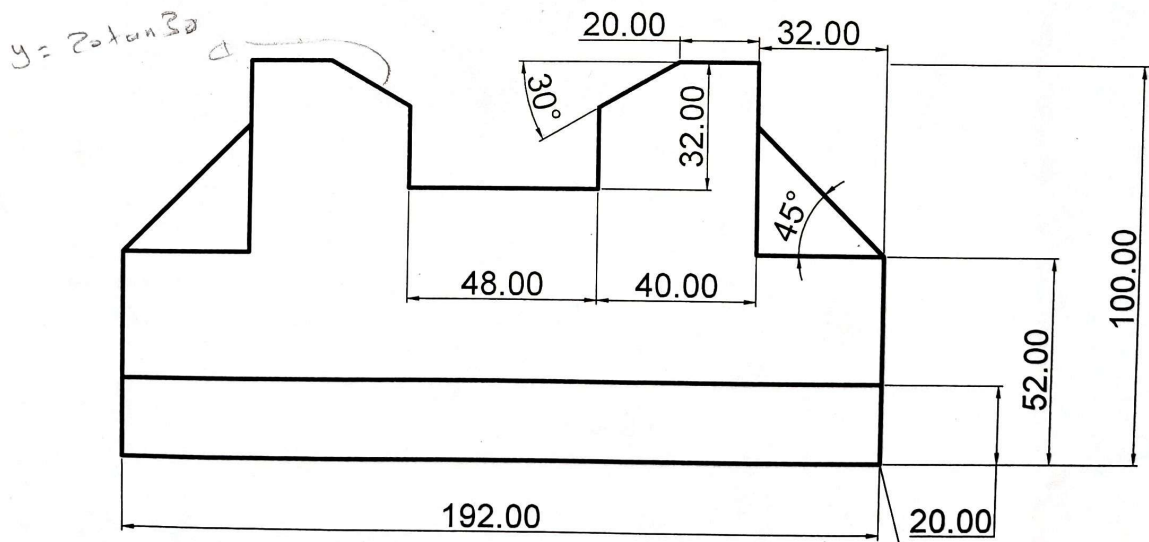
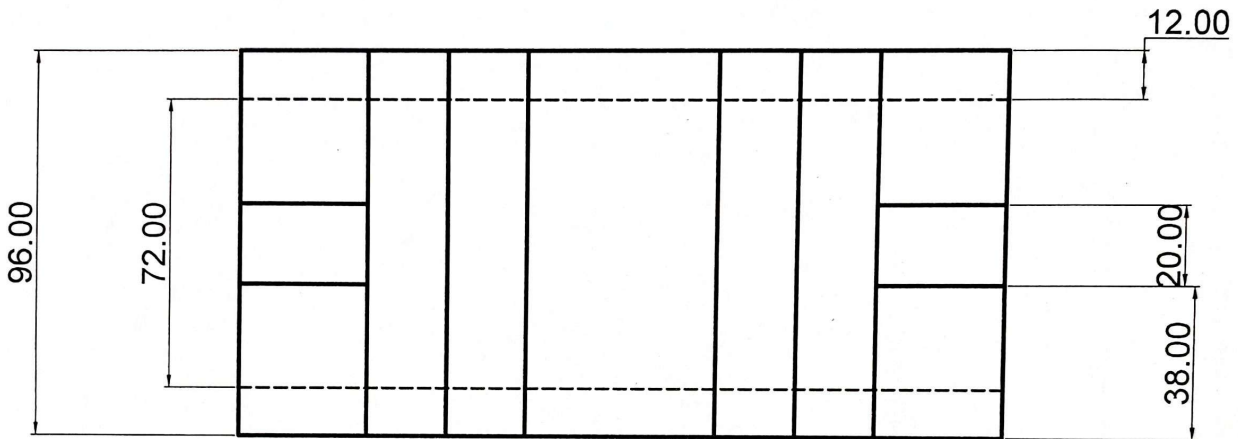


OFFSET SECTION	OBAYDA SARRAJ	1211128	R10	23/12	1:1
----------------	---------------	---------	-----	-------	-----

Given the Front and Top views for an object ,draw the isometric

Note:

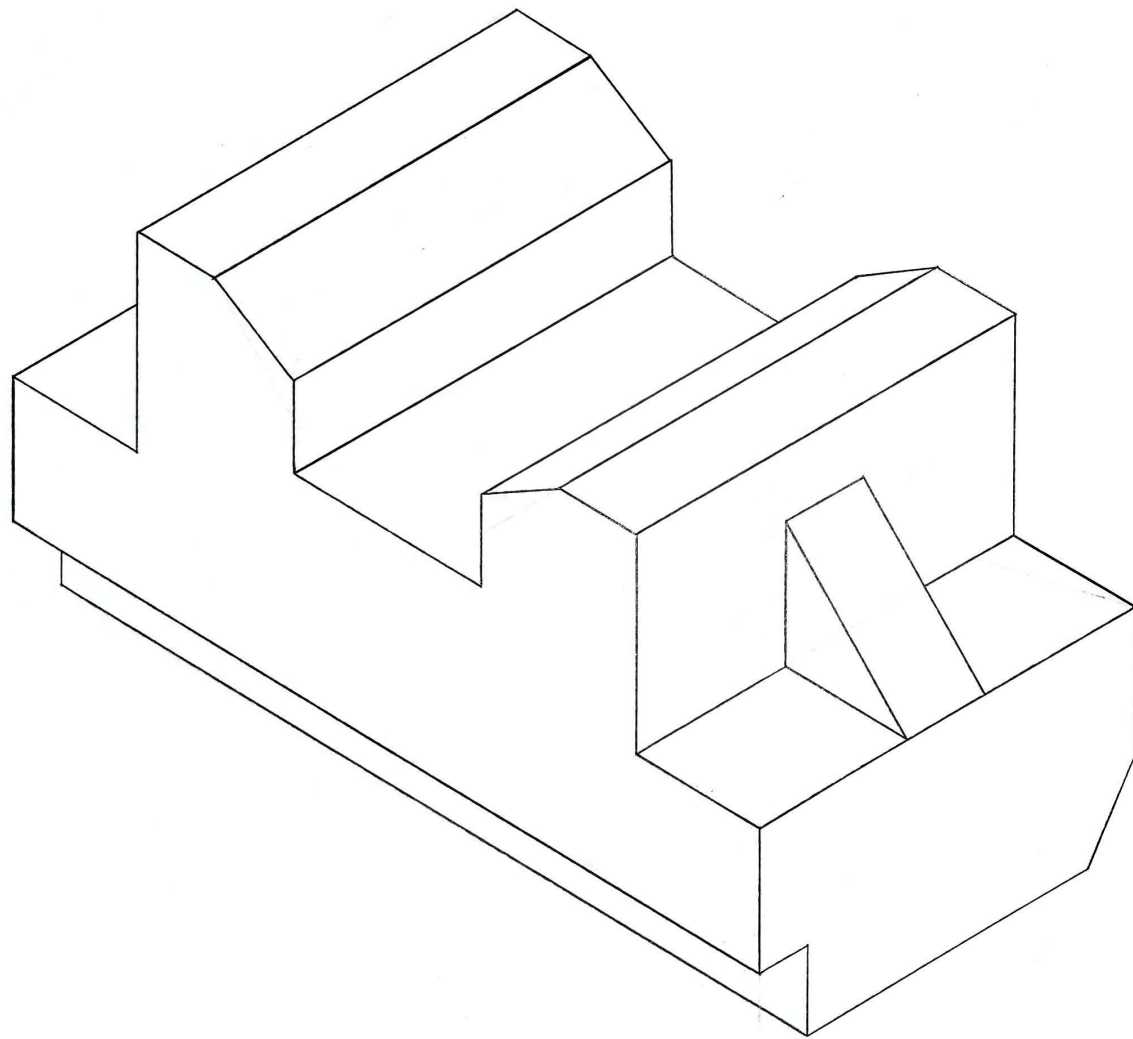
- Dimensions are all in mm.
- Use a scale of 1:1.
- Start drawing the isometric box from point A (235,30)



**A**



96/100



ISOMETRIC

OBAYDA SARRAJ

121128

R10

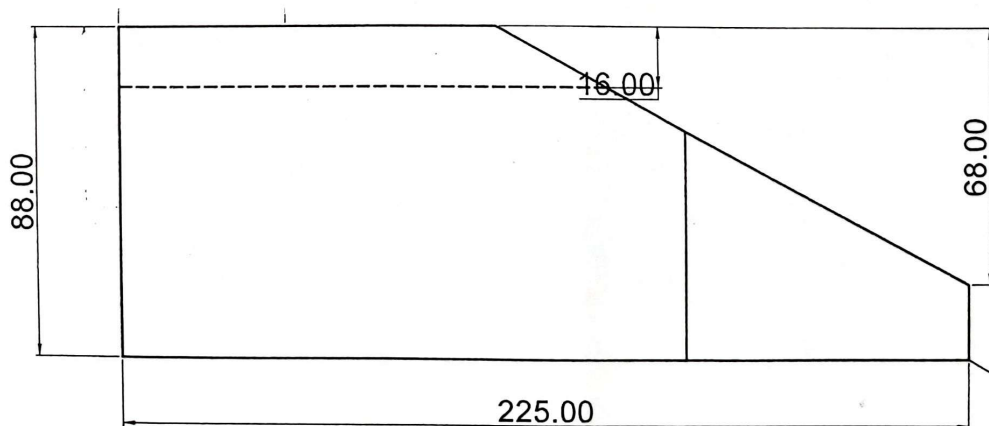
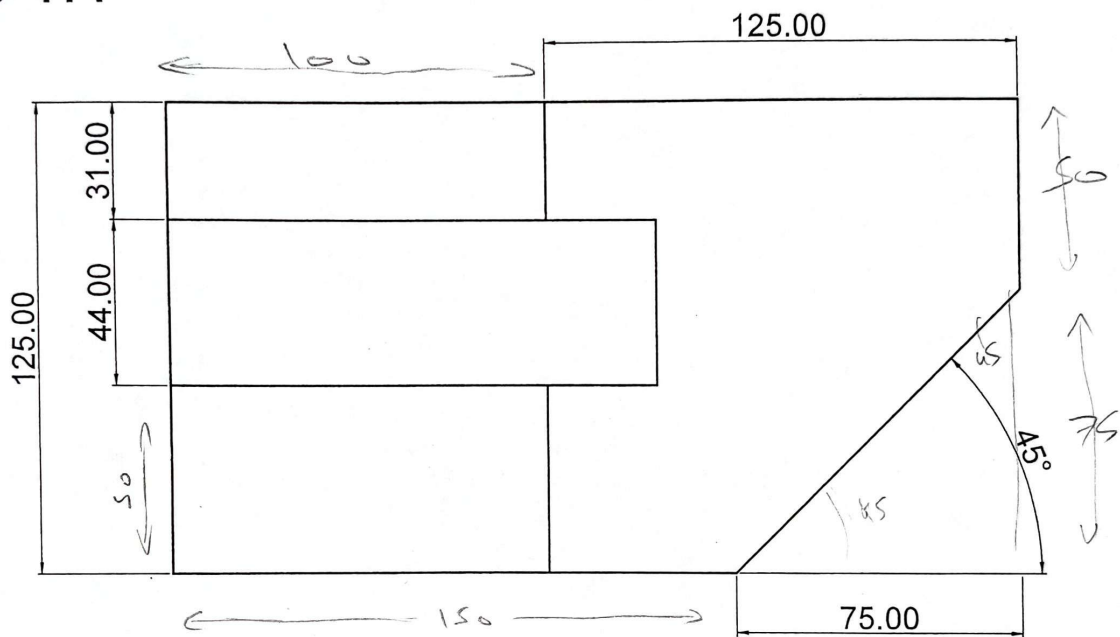
16/12

1:1

Homework:

(X,Y)=(279,19)

Scale 1:1

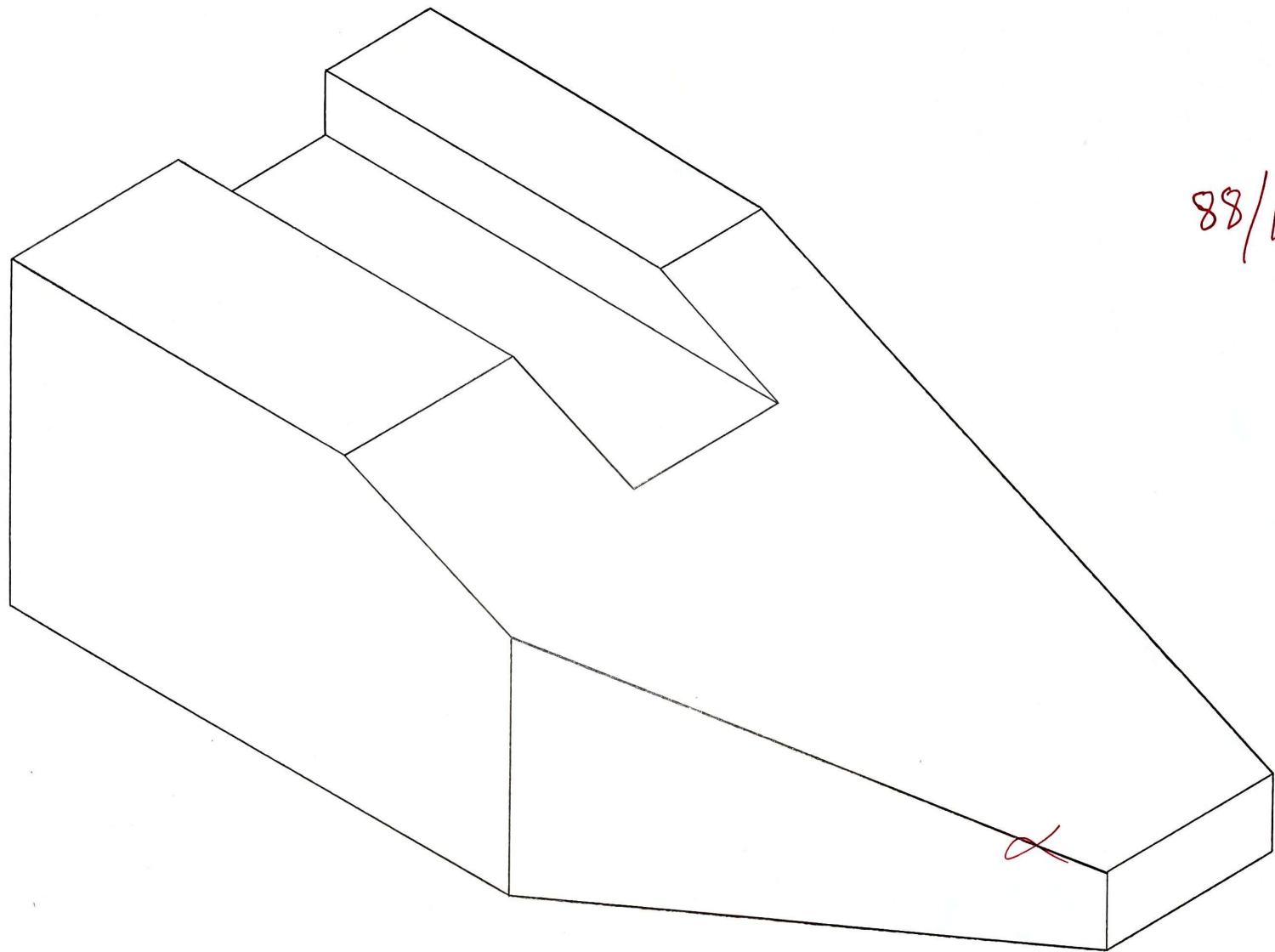


$w = 225$

$h = 88$

$d = 125$

A



88/100

*Handwritten mark*

ISOMETRIC

OBAYDA SARRAJ

12/11/28

R10

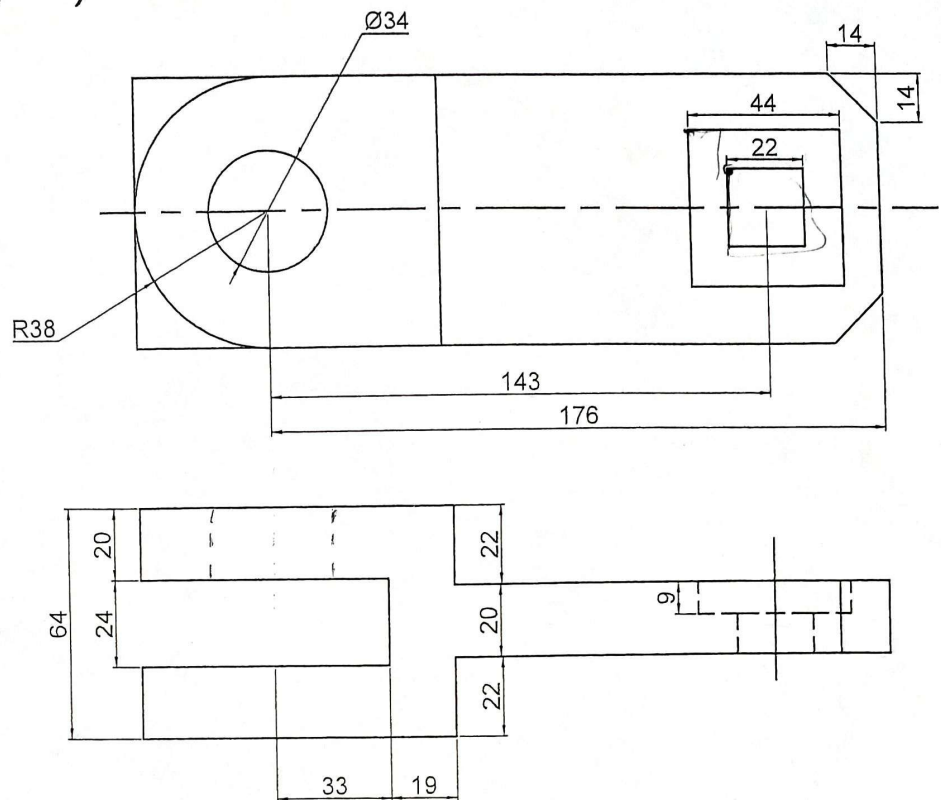
23/12

1:1



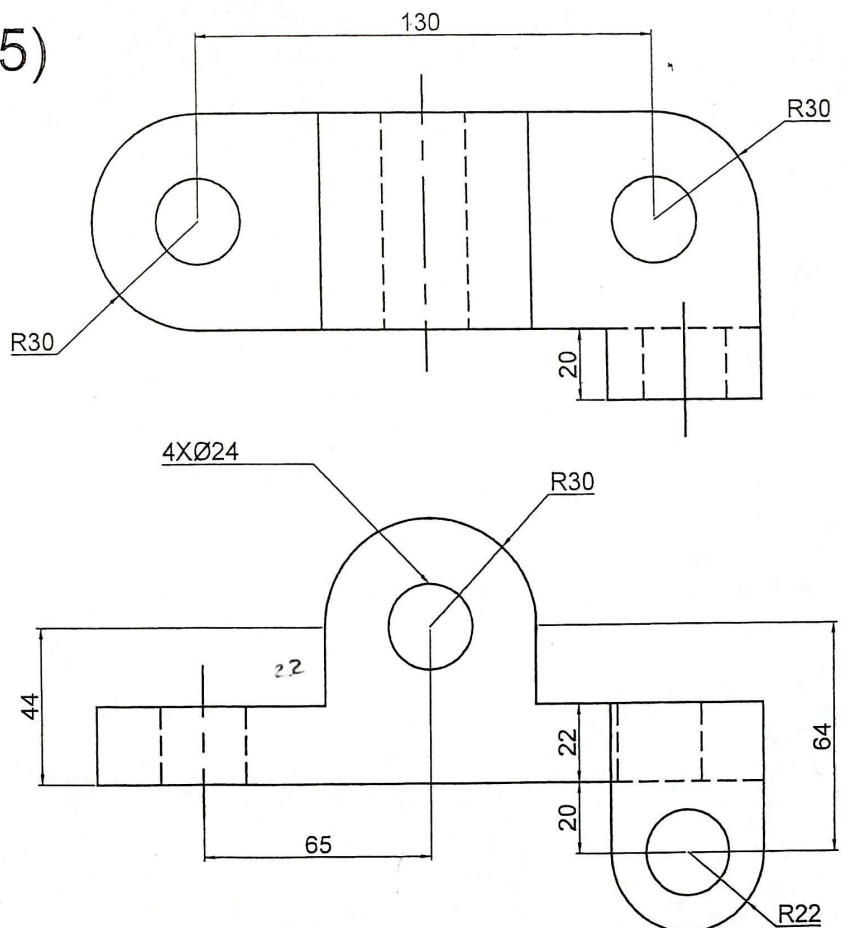
Classwork:  
 (X,Y)=(300,50)  
 Scale 1:1

H = 64  
 w = 214  
 D = 76

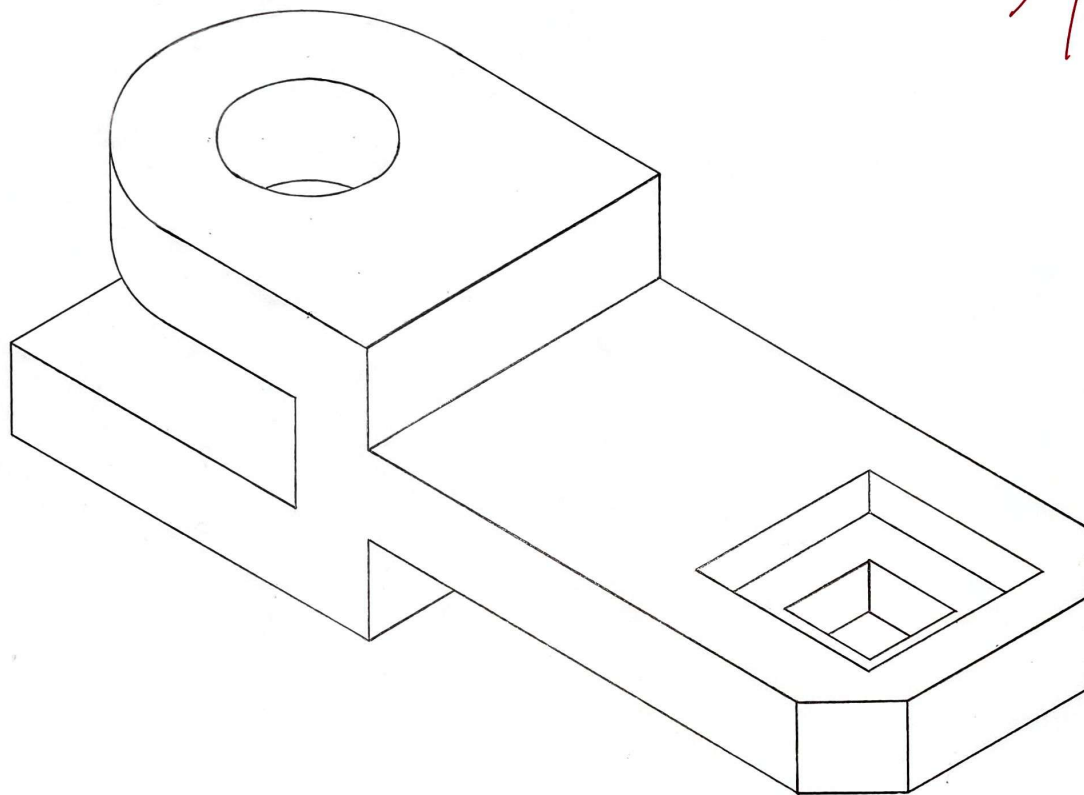


Homework:  
 (X,Y)=(280,25)  
 Scale 1:1

H = 116  
 w = 190  
 d = 80



97/100



ISOMETRIC

OBAYDA SARRAJ

1211128

R10

17/2/2022

1:1

