

Department of Mechanical and Mechatronics Engineering

Engineering Drawing (ENME121)

Final Exam

Exam Duration: 2.45 Hours      1<sup>st</sup> Semester 2022/2023      27 February 2023

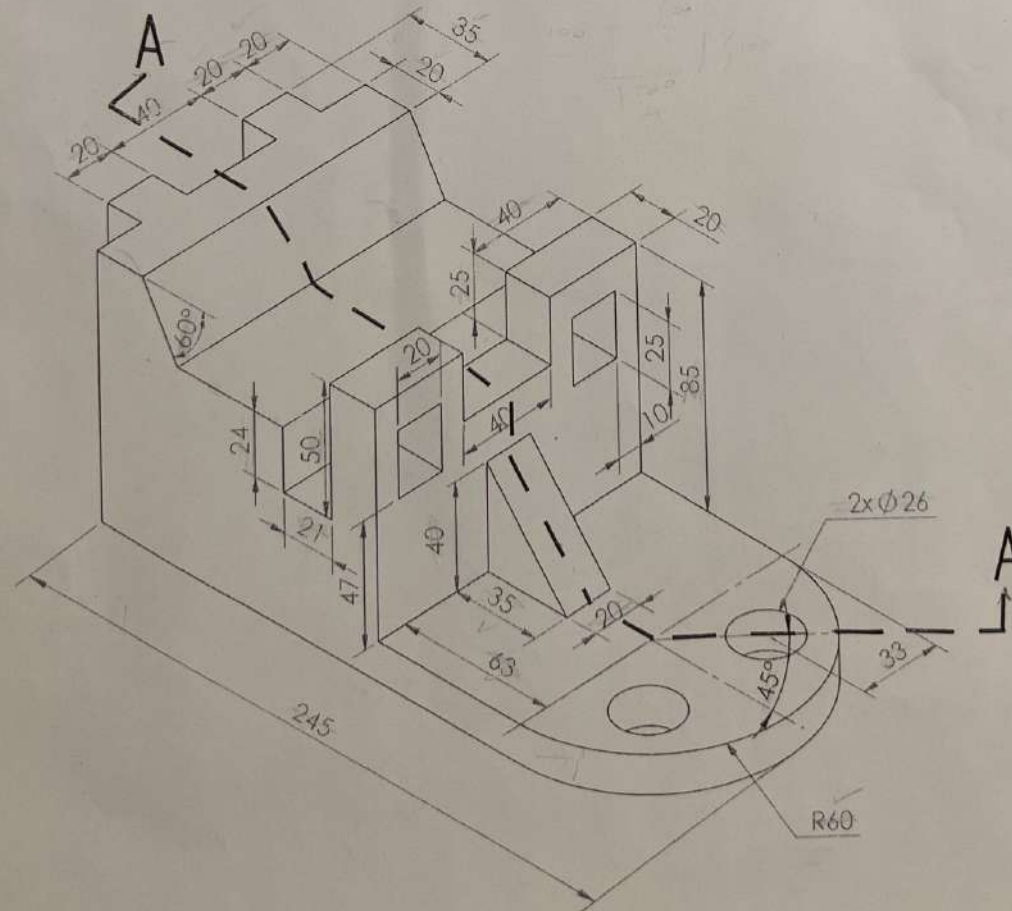
Q2- for the isometric shown in figure draw the following views and add necessary dimensions: a.

a. The Top View.

b. The front view in aligned section.

Notes:

- Use (x,y)=(100,20)
- Dimensions are in mm.
- Use scale 1:1.

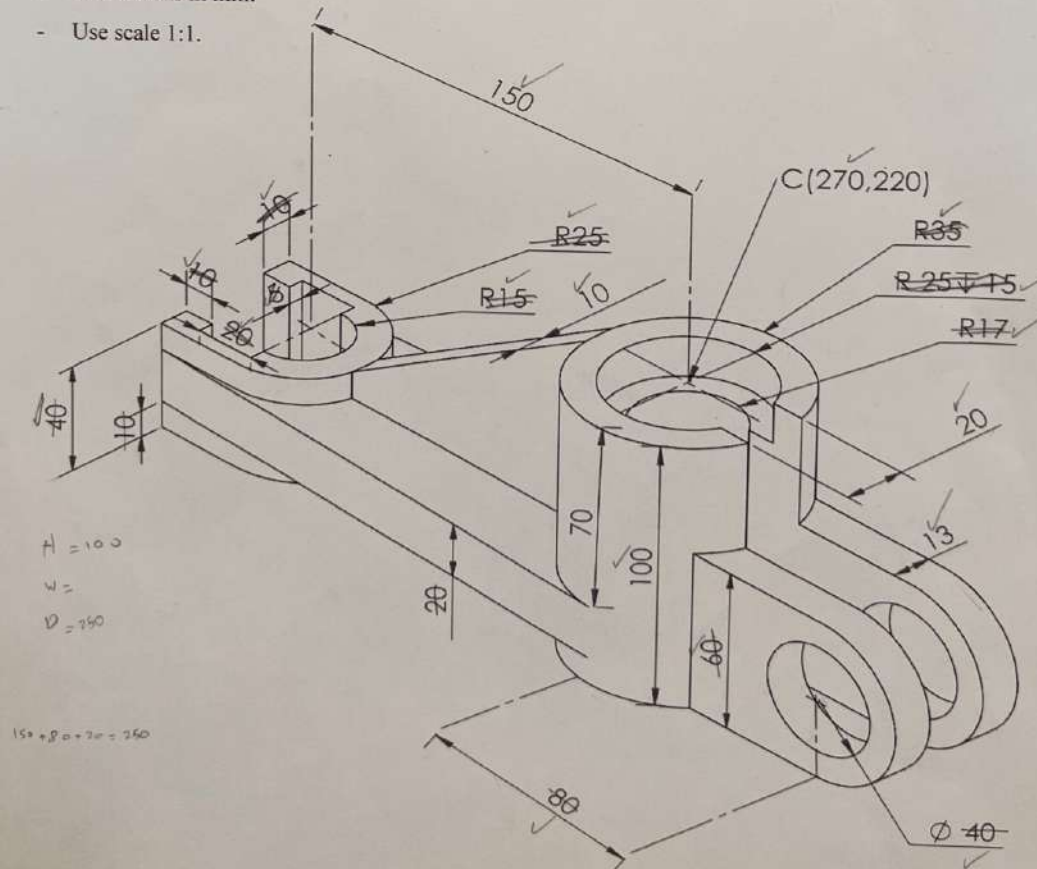


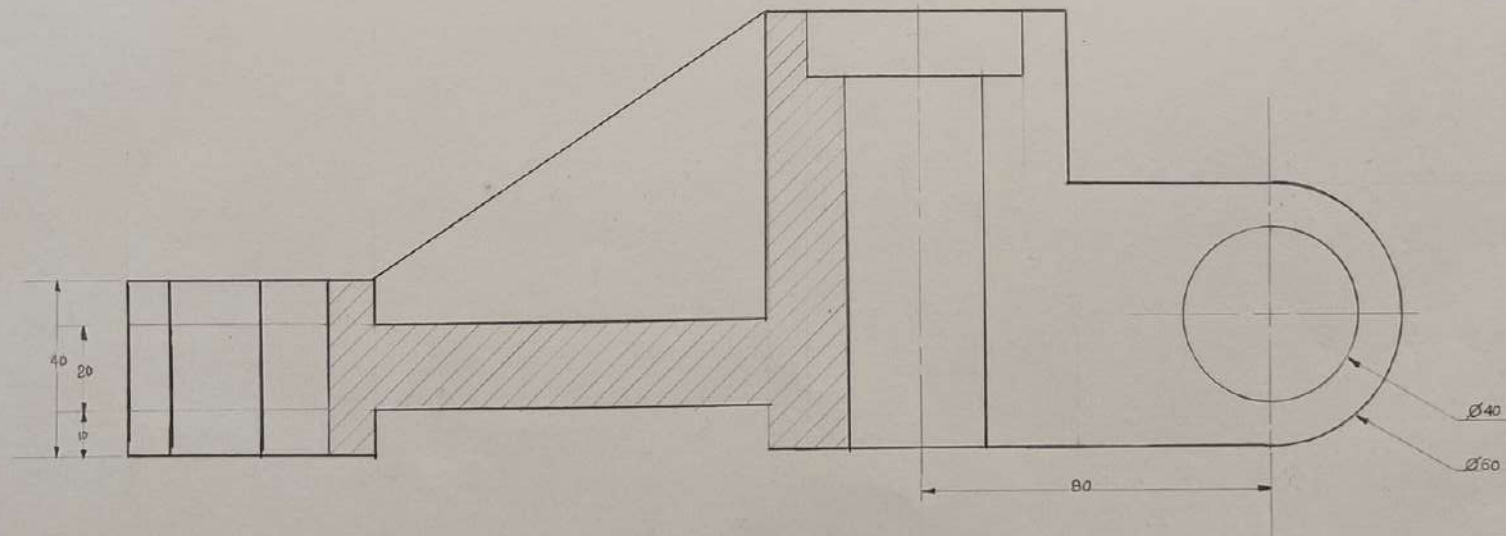
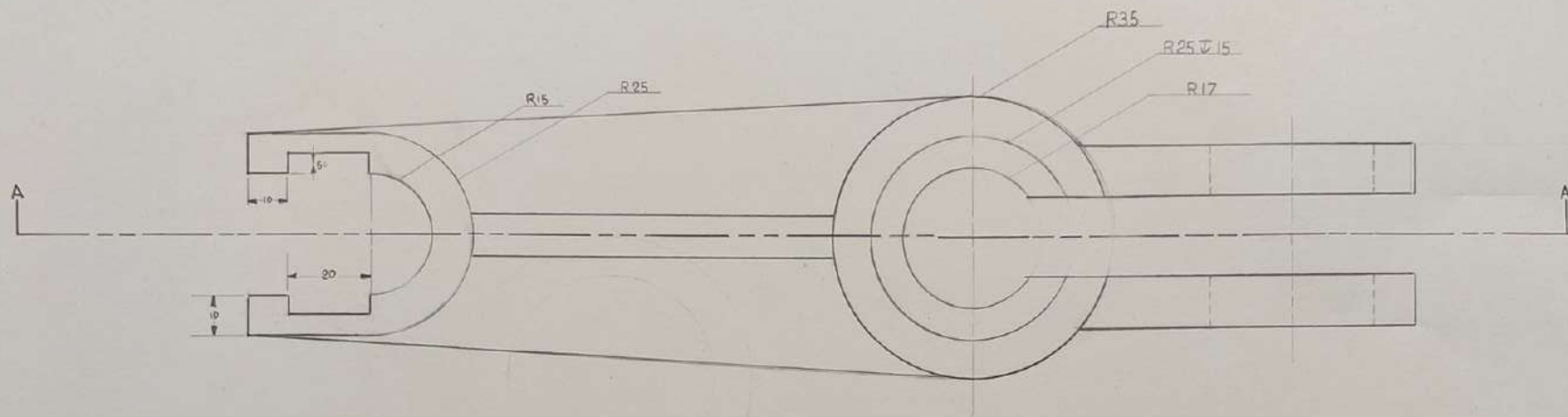
Q2) for the isometric shown in Figure draw the following views:

- a- The Top View.
- b- The front View in full Section.

Notes:

- Start from point C (270,220) in the top view, between Top and front view  $y=43$ .
- Dimensions in mm.
- Use scale 1:1.





View necessary to  
dimensions are all in mm.  
Use a scale of 1:1.  
Start at (70, 20)

