

Homework: Draw and add Dimension

- Front View
- Top View
- Right View

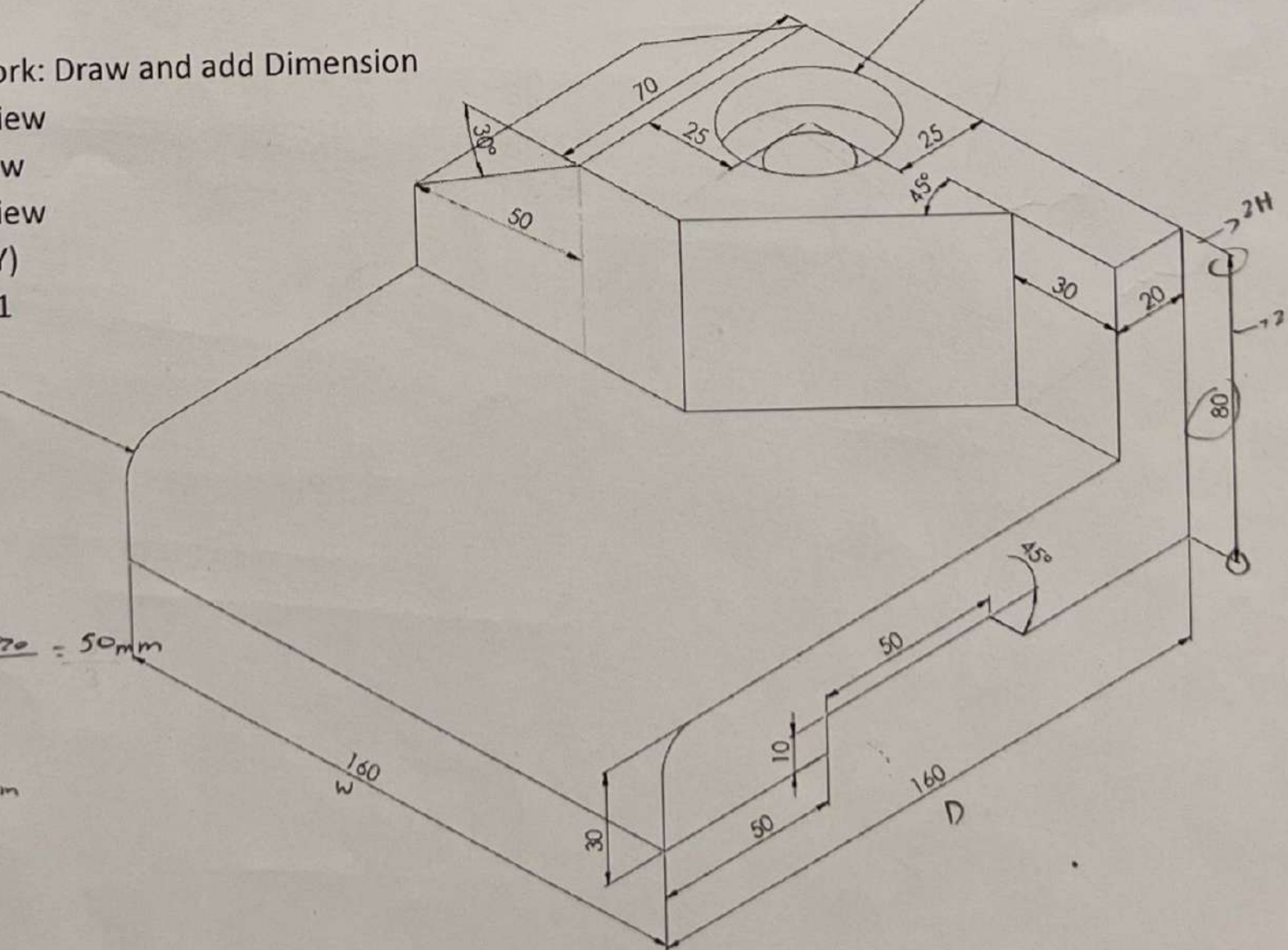
Find (X,Y)
Scale 1:1

D: 160
h: 80
W: 160

$$y = \frac{470(160+160)}{3} = \frac{780-370}{3} = 50\text{mm}$$

$$y = \frac{320 - (80+160)}{3} = 20\text{mm}$$

R10



counter bore
Ø40
Ø20
10

2H
2H
80
HB

160
W

160
D

30
50
50
10

45°

30°

50

70

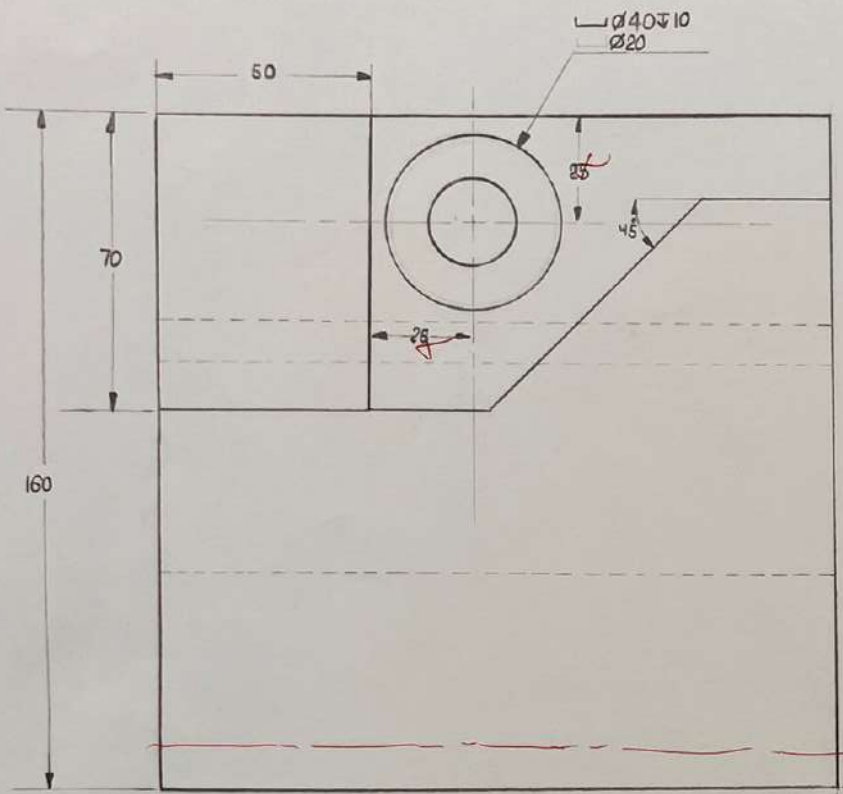
25

25

45°

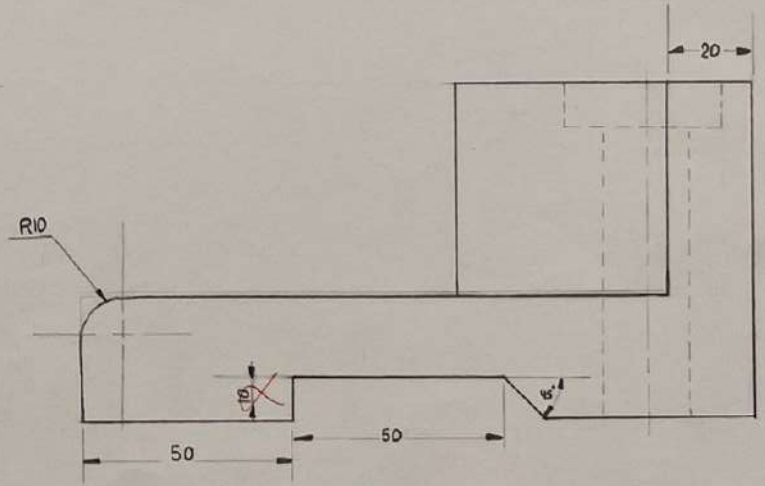
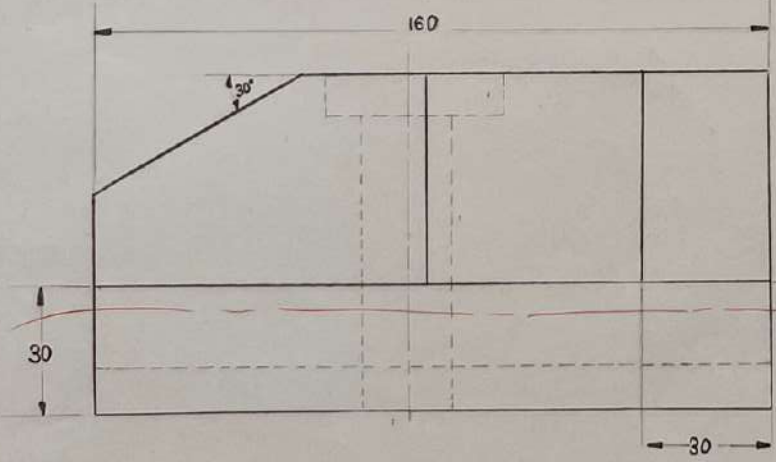
30

20



dim 13/15

AR



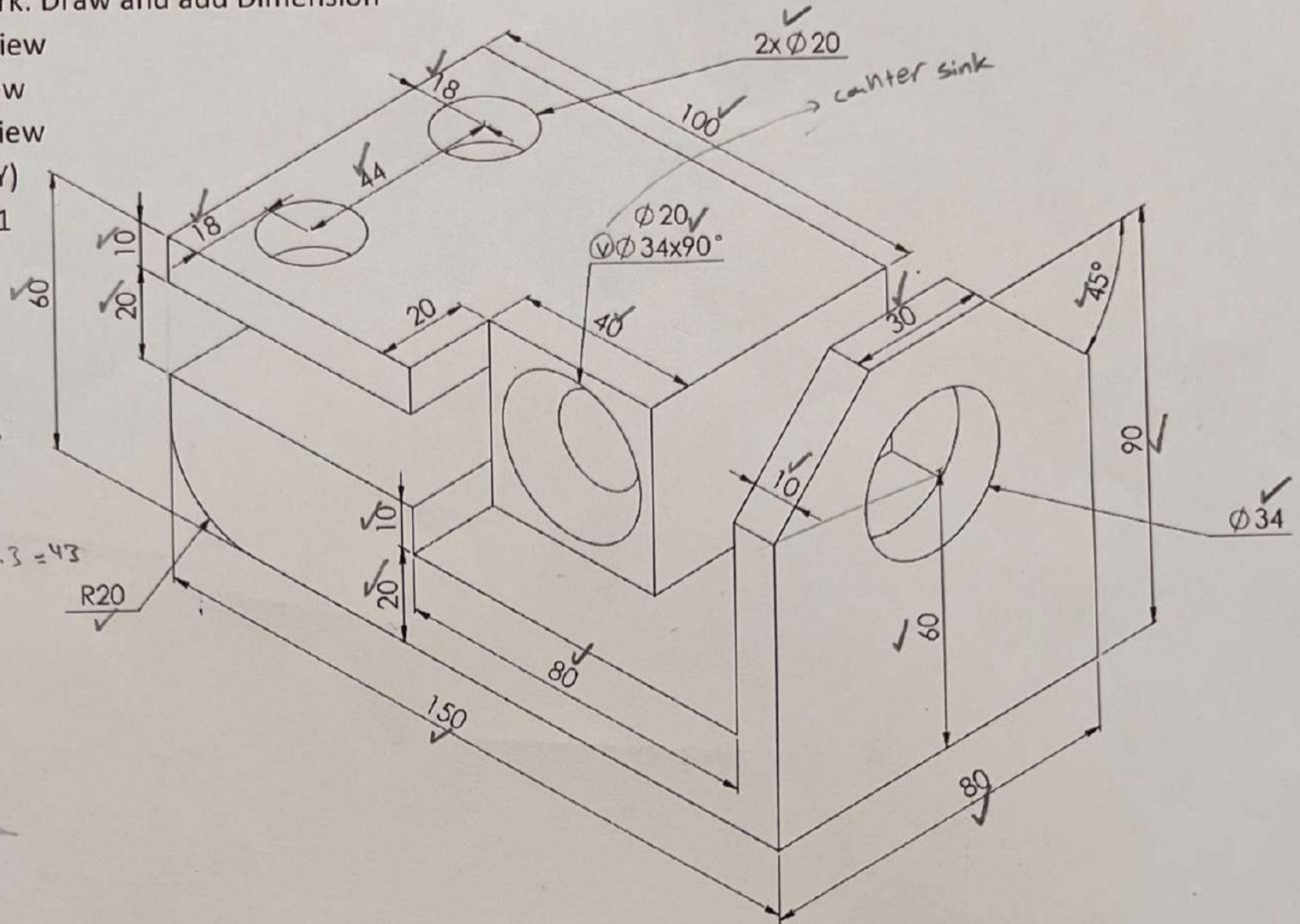
DIMENSION	YASMIN DARAWI	1220848	11M	19-12	11
-----------	---------------	---------	-----	-------	----

Classwork: Draw and add Dimension

- Front View
- Top View
- Right View

Find (X,Y)

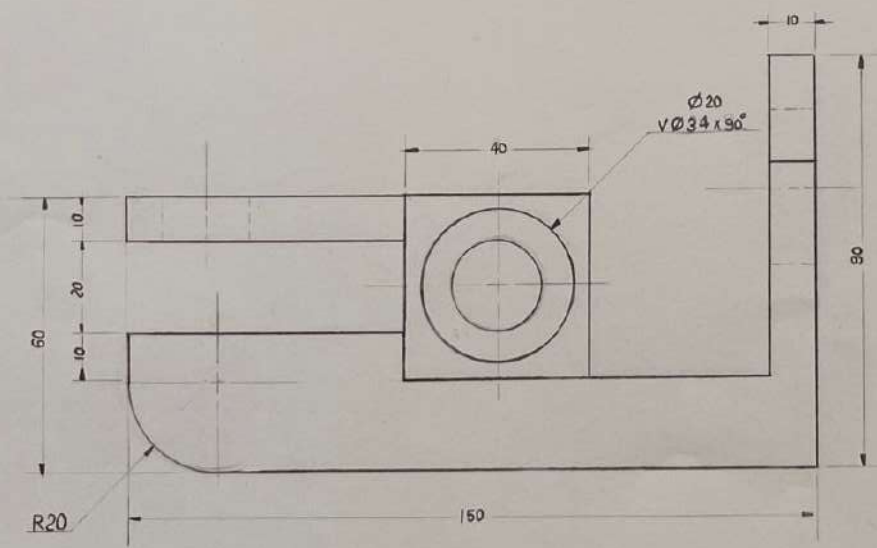
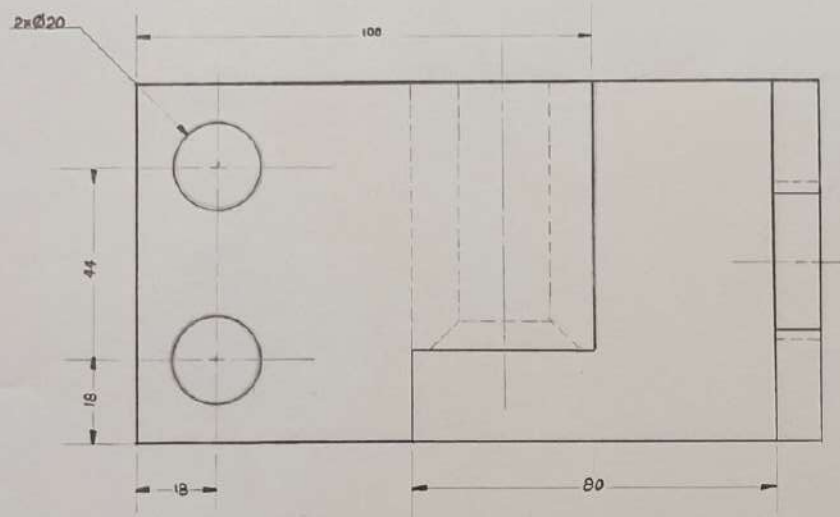
Scale 1:1



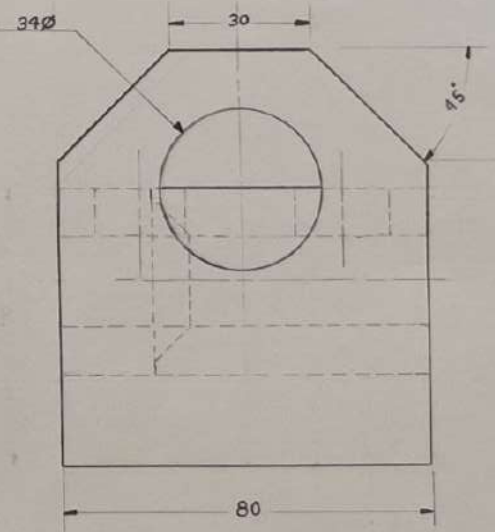
D: 80
h: 90
W: 150

$$x = \frac{450 - (150 + 80)}{3} = 80$$

$$y = \frac{300 - (90 + 80)}{3} = 43.3 = 43$$



98



DIMENSION	YASMIN DARAWI	1220848	11M	9-1	1:1
-----------	---------------	---------	-----	-----	-----