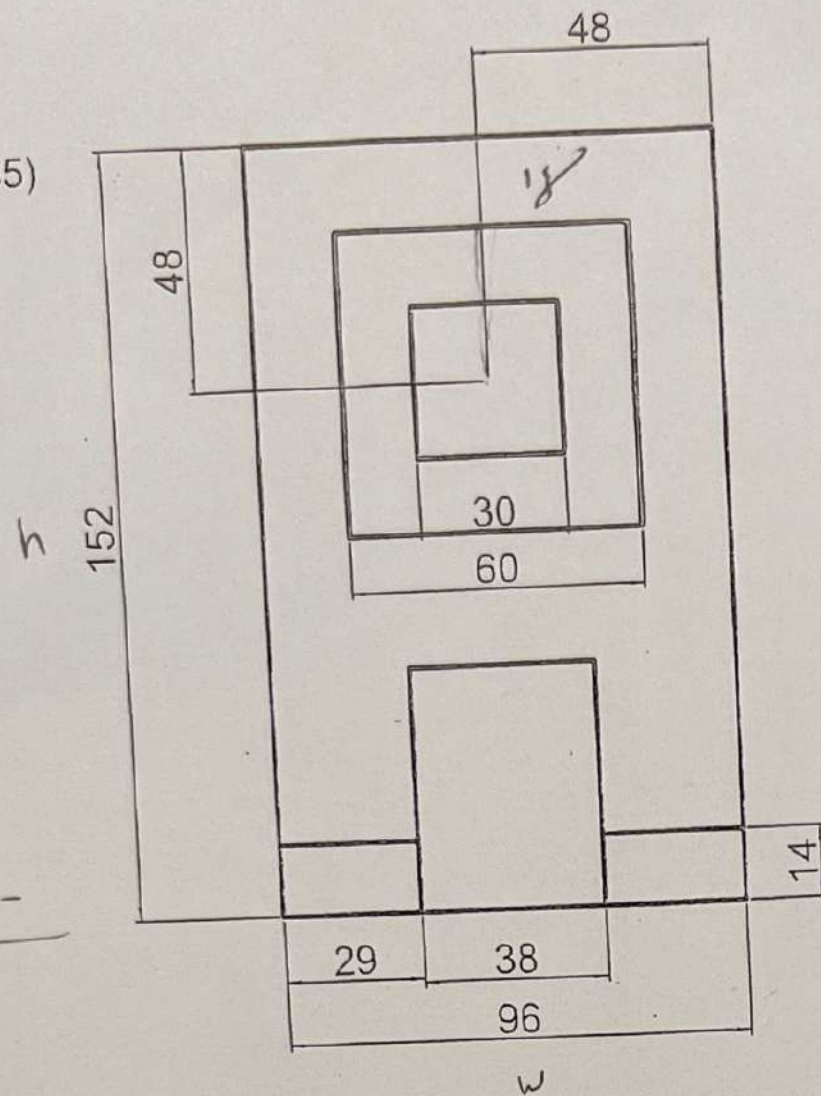
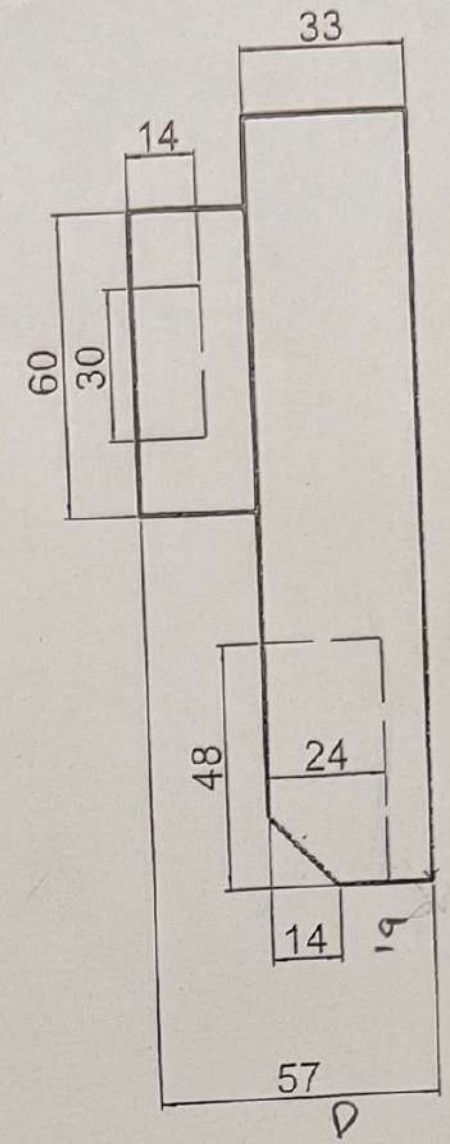


Classwork:  
 (X,Y)=(250,35)  
 Scale 1:1

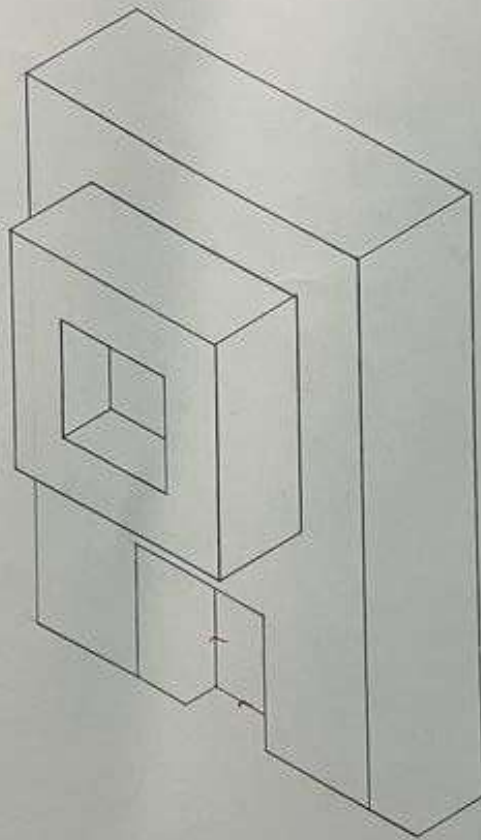


$$\begin{array}{r}
 152 \\
 - 14 \\
 \hline
 138
 \end{array}$$



$$\begin{array}{r}
 57 - 33 \\
 \hline
 24
 \end{array}$$

44/100

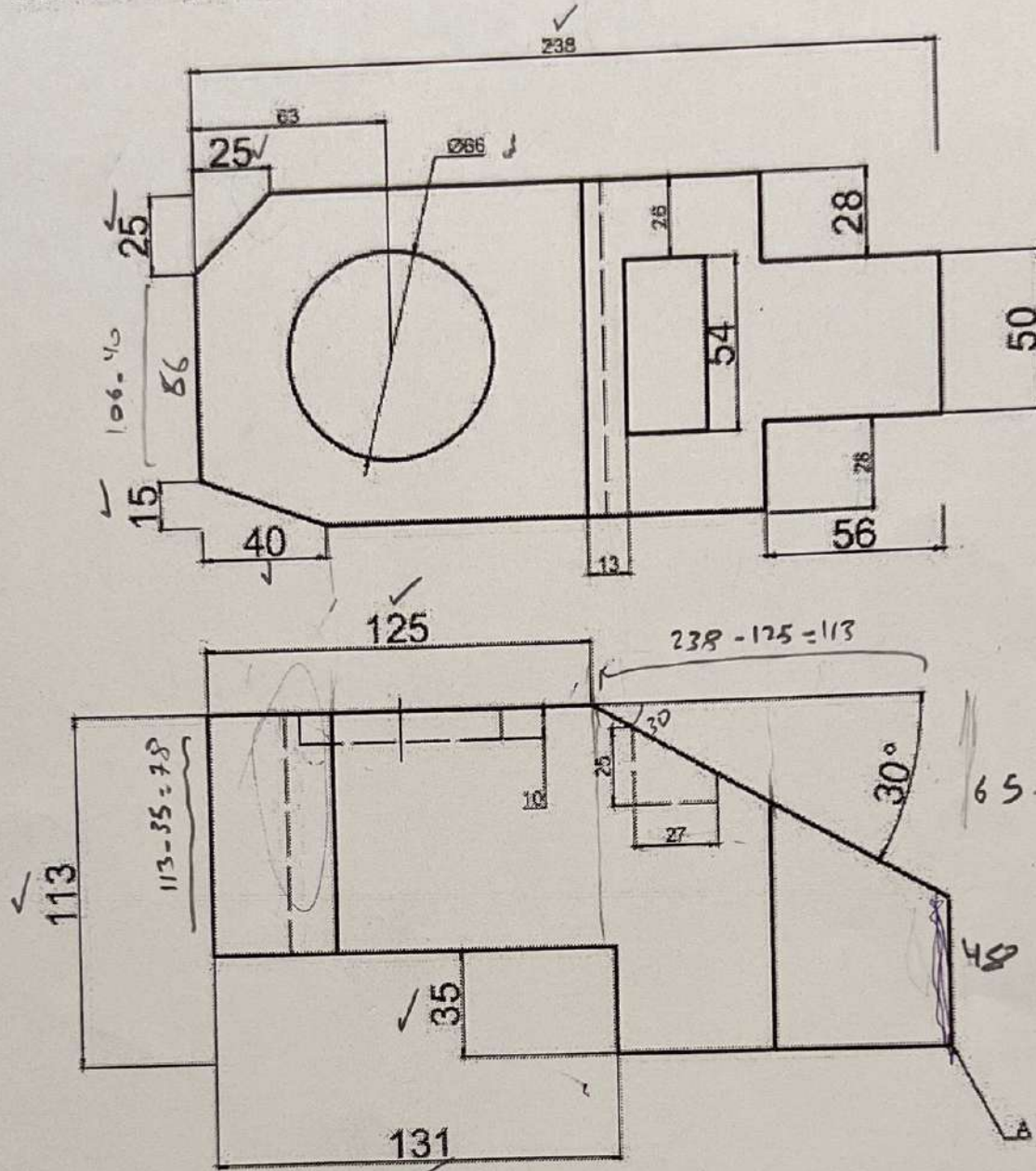


Given the Front and Top views for an object as shown in Figure (2), draw the isometric

Note:

- Dimensions are all in mm.
- Use a scale of 1:1.
- Start drawing the isometric box from point A (292,20) from the lower left corner

$w = 238$   
 $H = 113$   
 $D = 106$



$$\tan 30^\circ = \frac{h}{113}$$

$$65 = \frac{113}{h} = h$$

$$56.5 =$$

$$113 - 56.5 = 56.5$$