

~~10~~
10

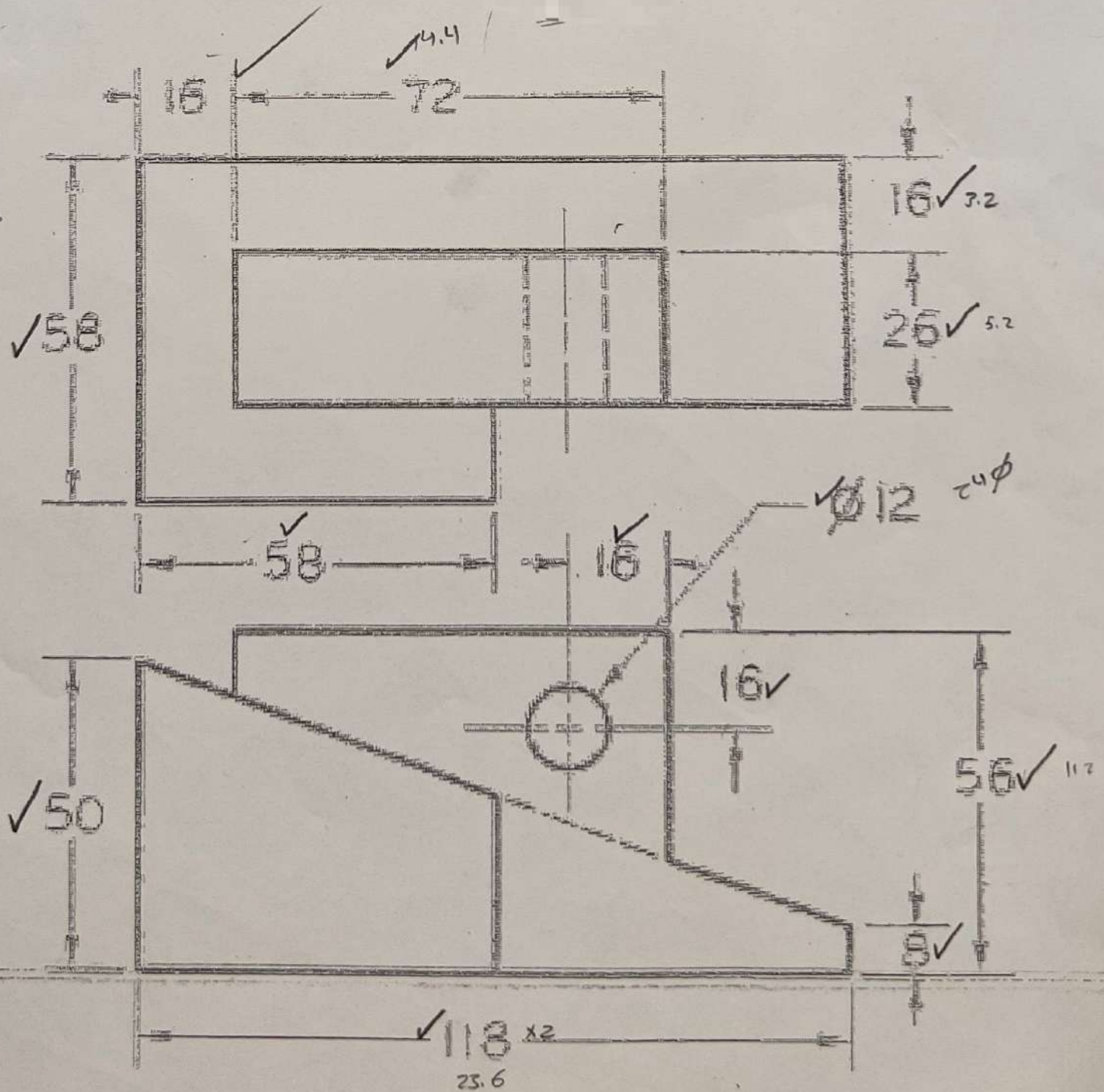
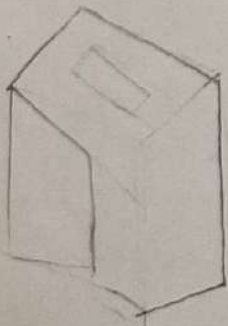
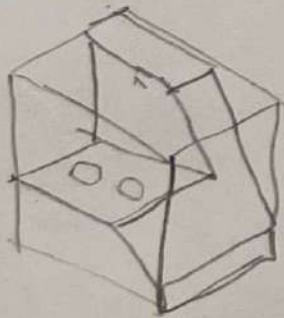
MISSING VIEW	YASMIN DARAWI	1220848	11M	9-1	2:1
--------------	---------------	---------	-----	-----	-----

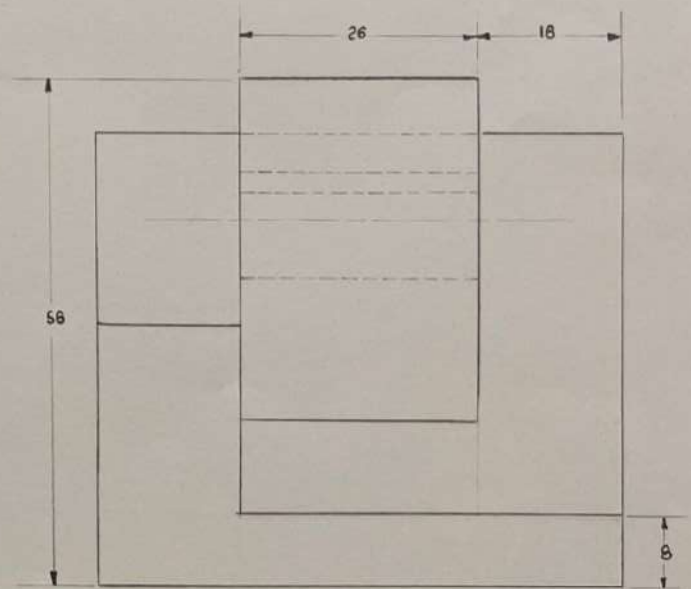
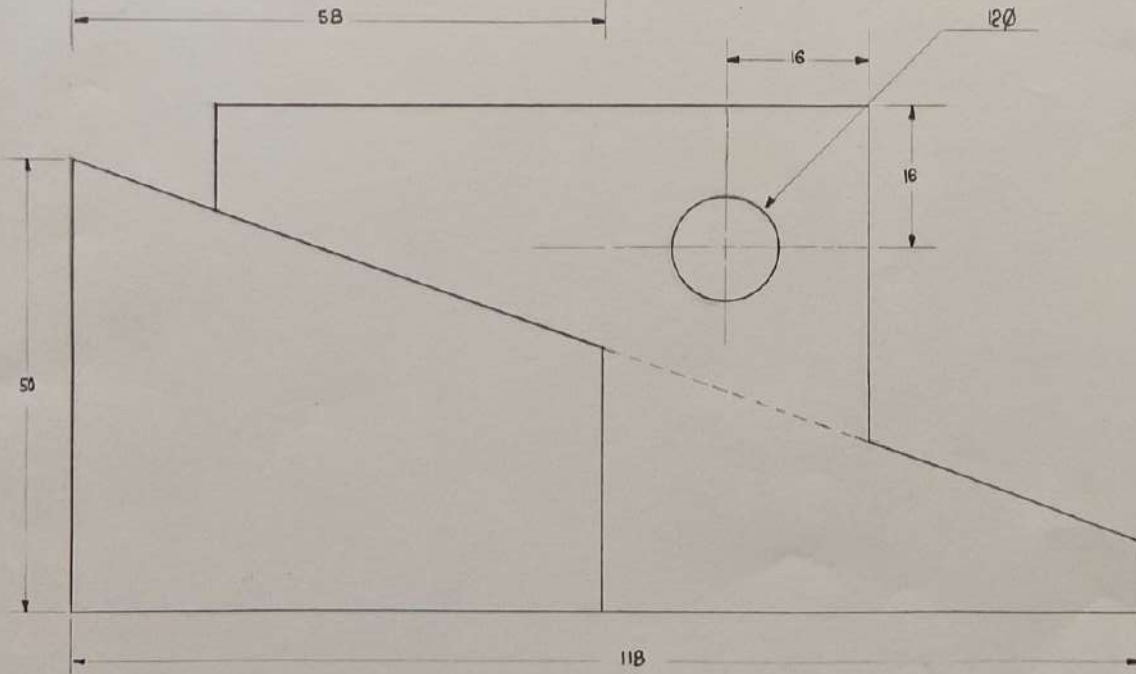
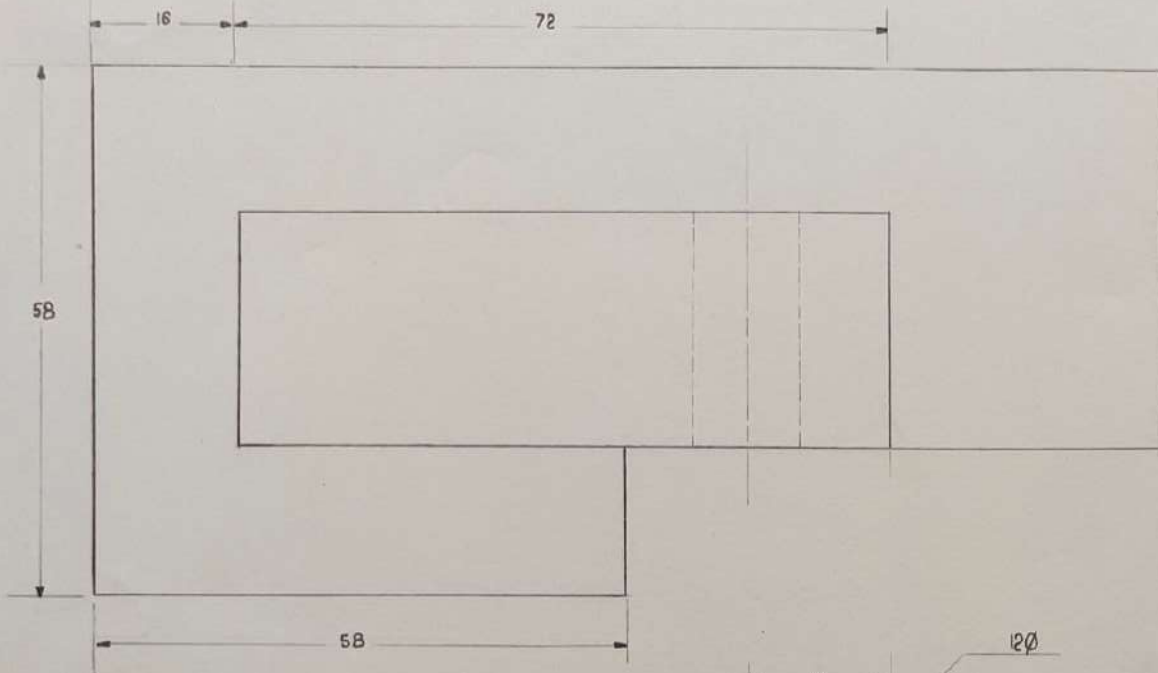
Homework:

$(x,y) = (40,30)$

Scale: 2:1

$$x \frac{15x^2}{116} + x + \frac{58x^2}{116}$$





98

MISSING VIEW

YASMIN DARAWI

12208 48

11 M

15-1

2:1