

Classwork:

Find (X, Y)

Scale 1:1

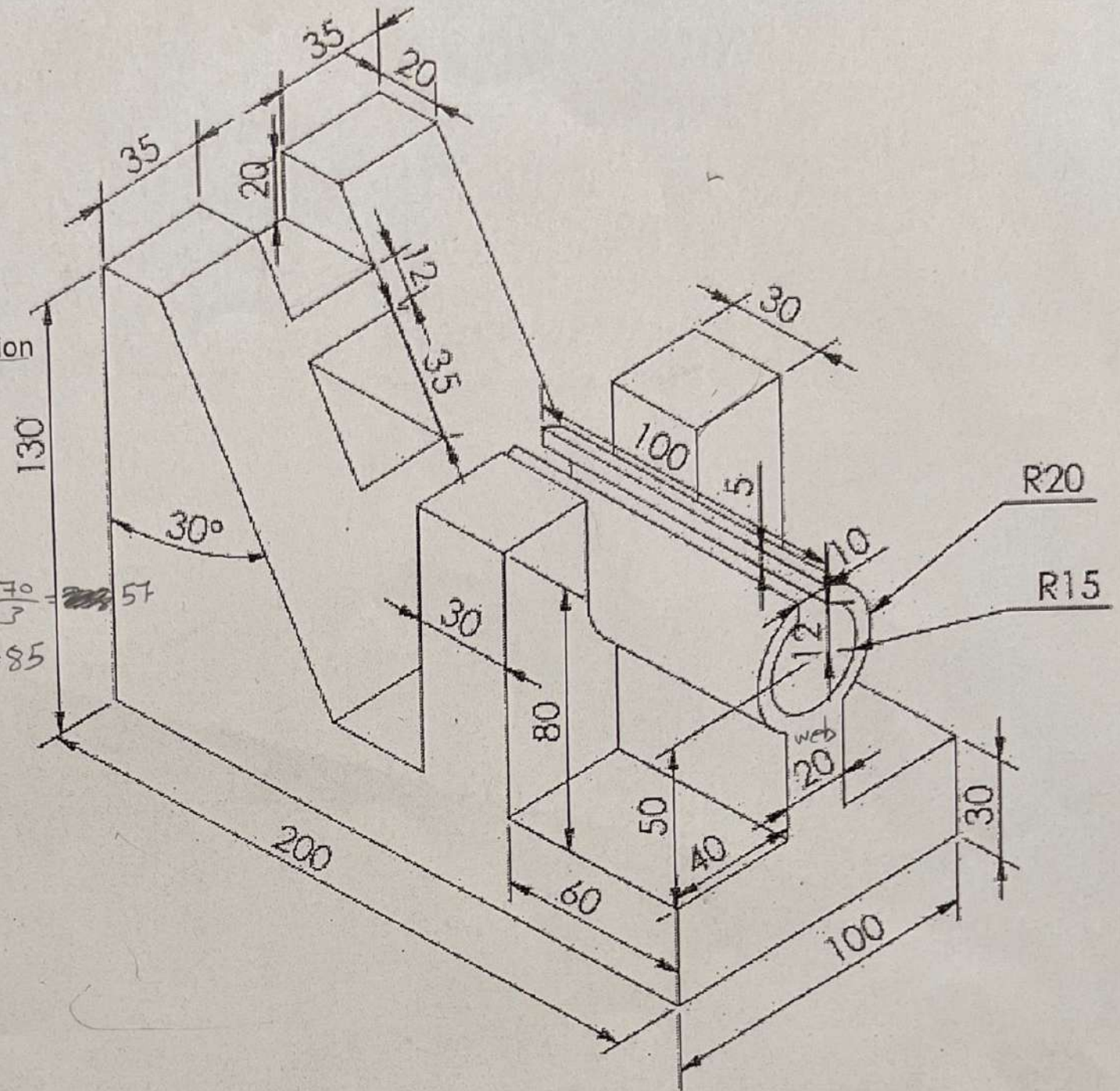
Draw:

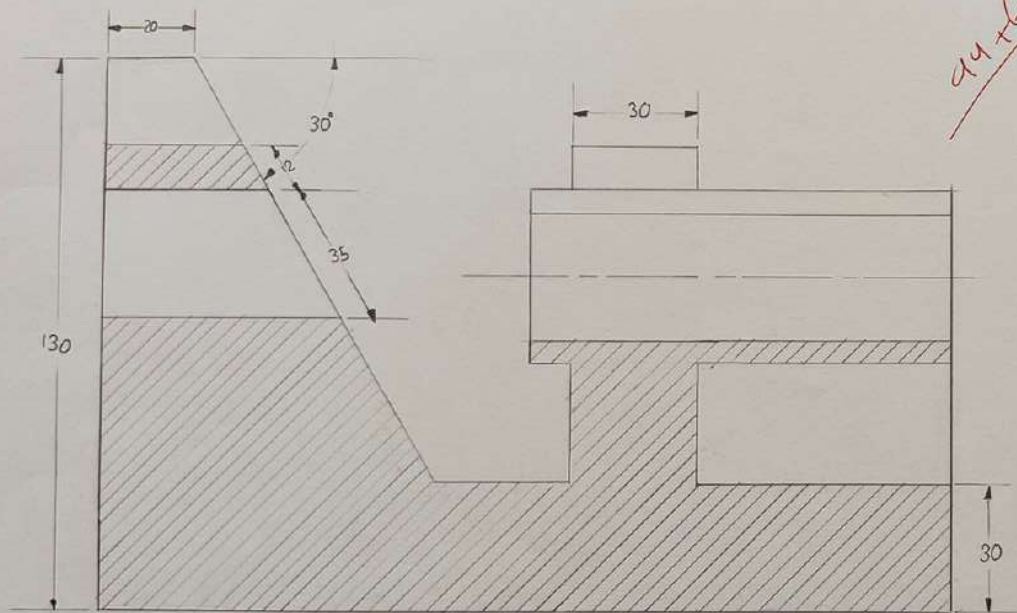
-Right view

-Front in full section

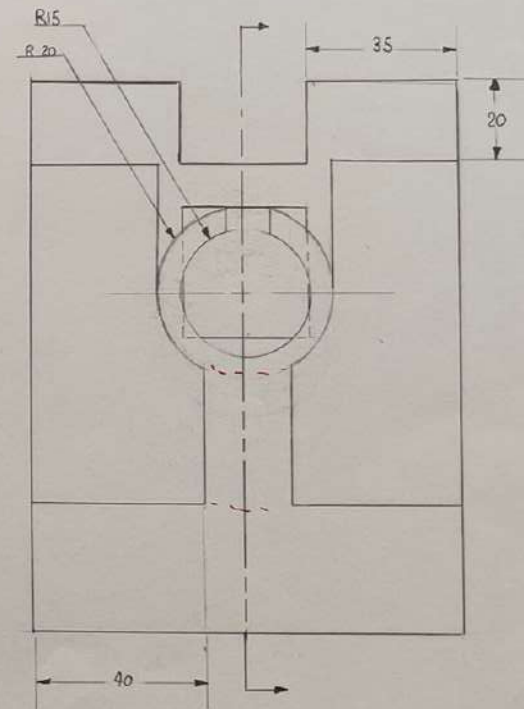
المساحة الكلية

$$x = \frac{470 - (W+D)}{3}$$
$$= \frac{470 - (200+100)}{3} = \frac{170}{3} = 57$$
$$y = \frac{300 \times h}{2} = 300 - 130 = 85$$





*24/16*



SECTION VIEW

YASMIN DARAWI

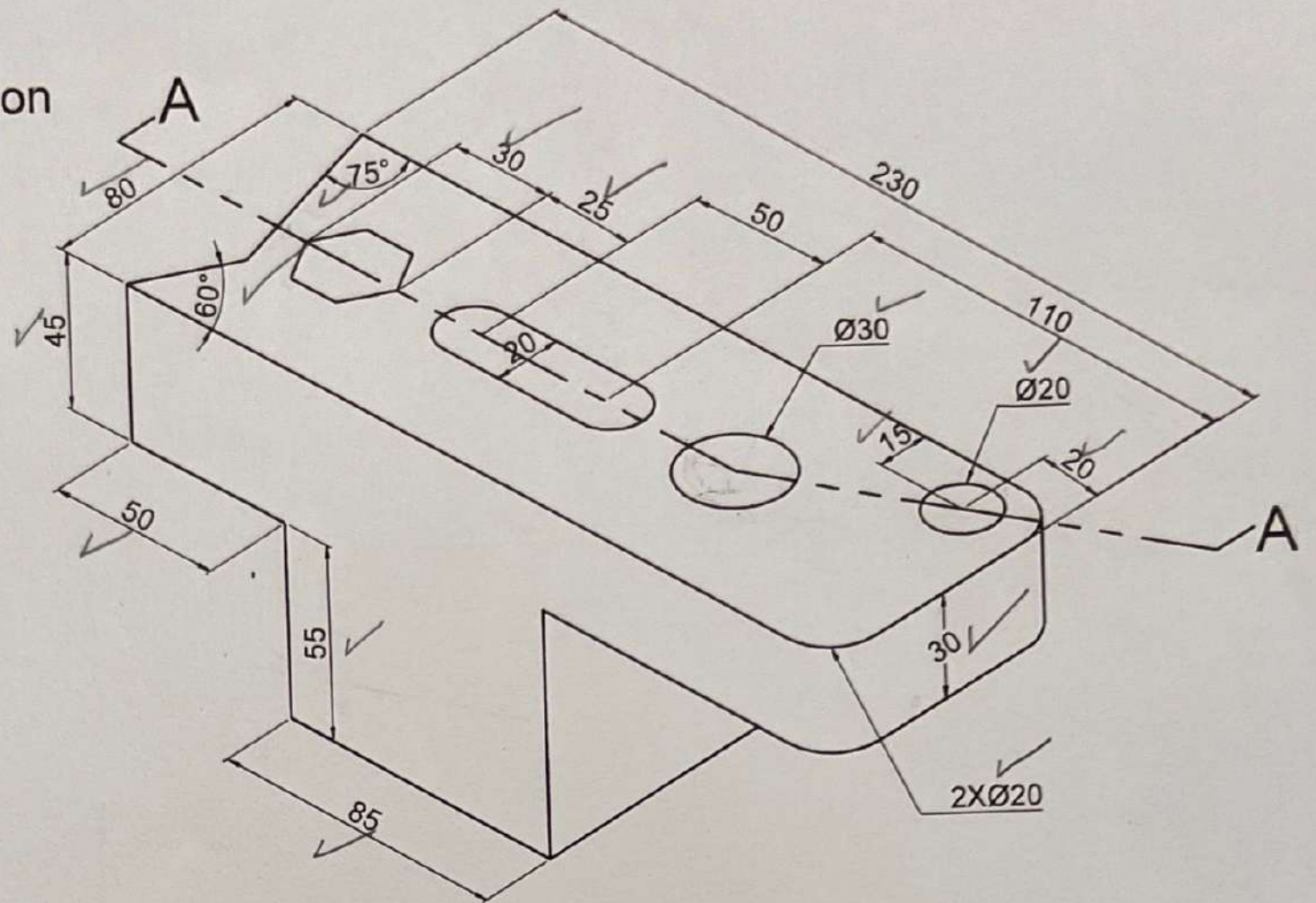
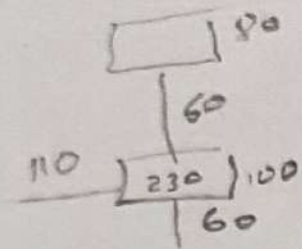
1220848

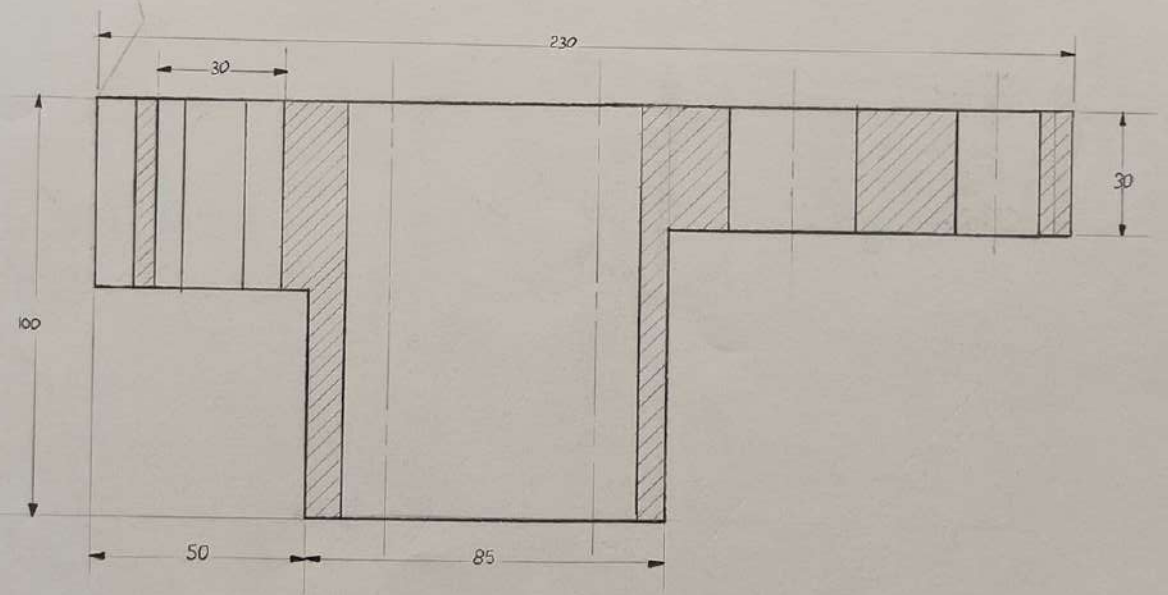
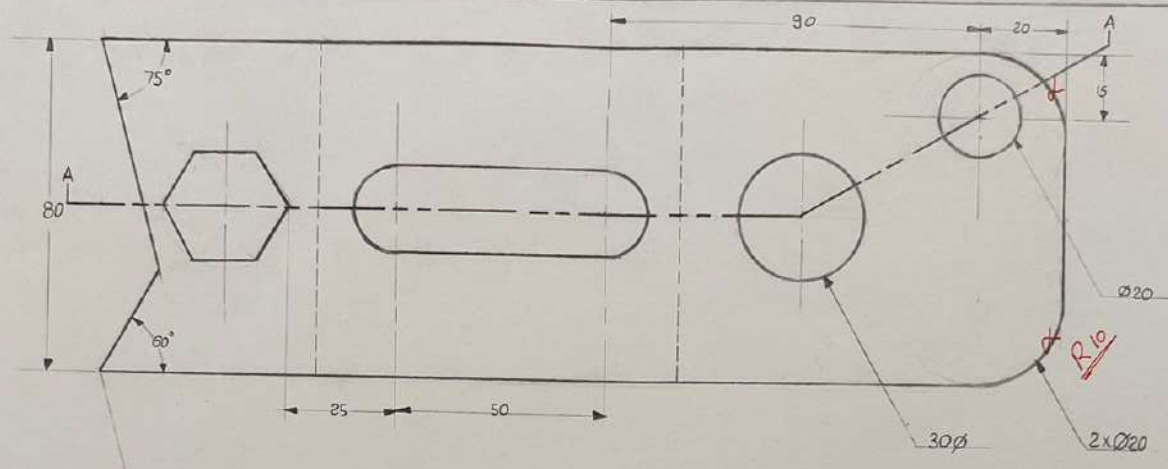
11M

6-

1:1

Classwork: Aligned Section  
(X,Y)=(110,60)  
Scale 1:1





03

OFFSET SECTION	YASMIN DARAWI	1220848	11M	23-1	1 1 1
----------------	---------------	---------	-----	------	-------