

Homework: Half Section

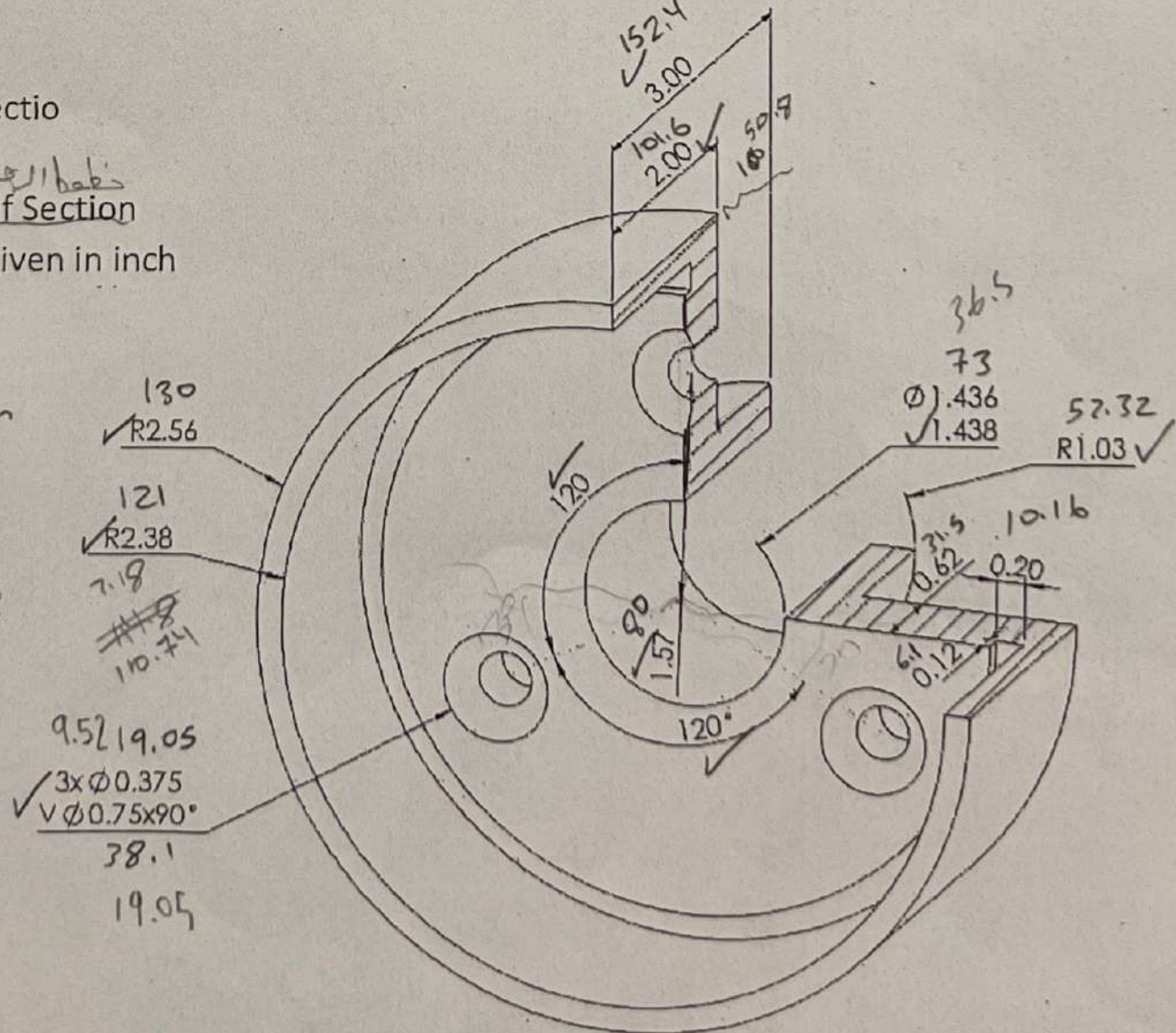
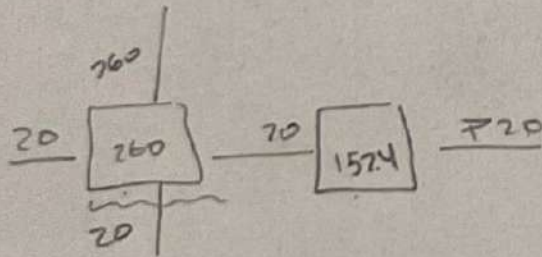
(X.Y)=(20,20)

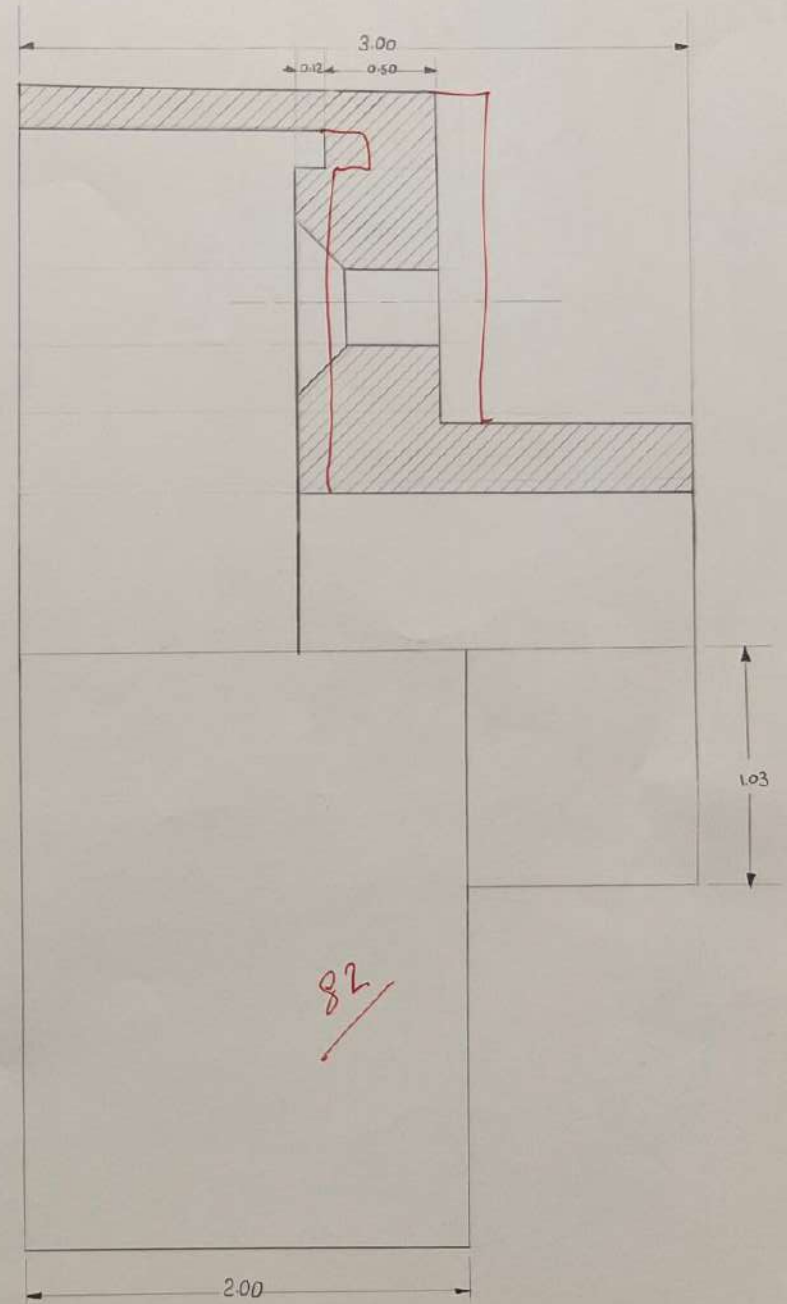
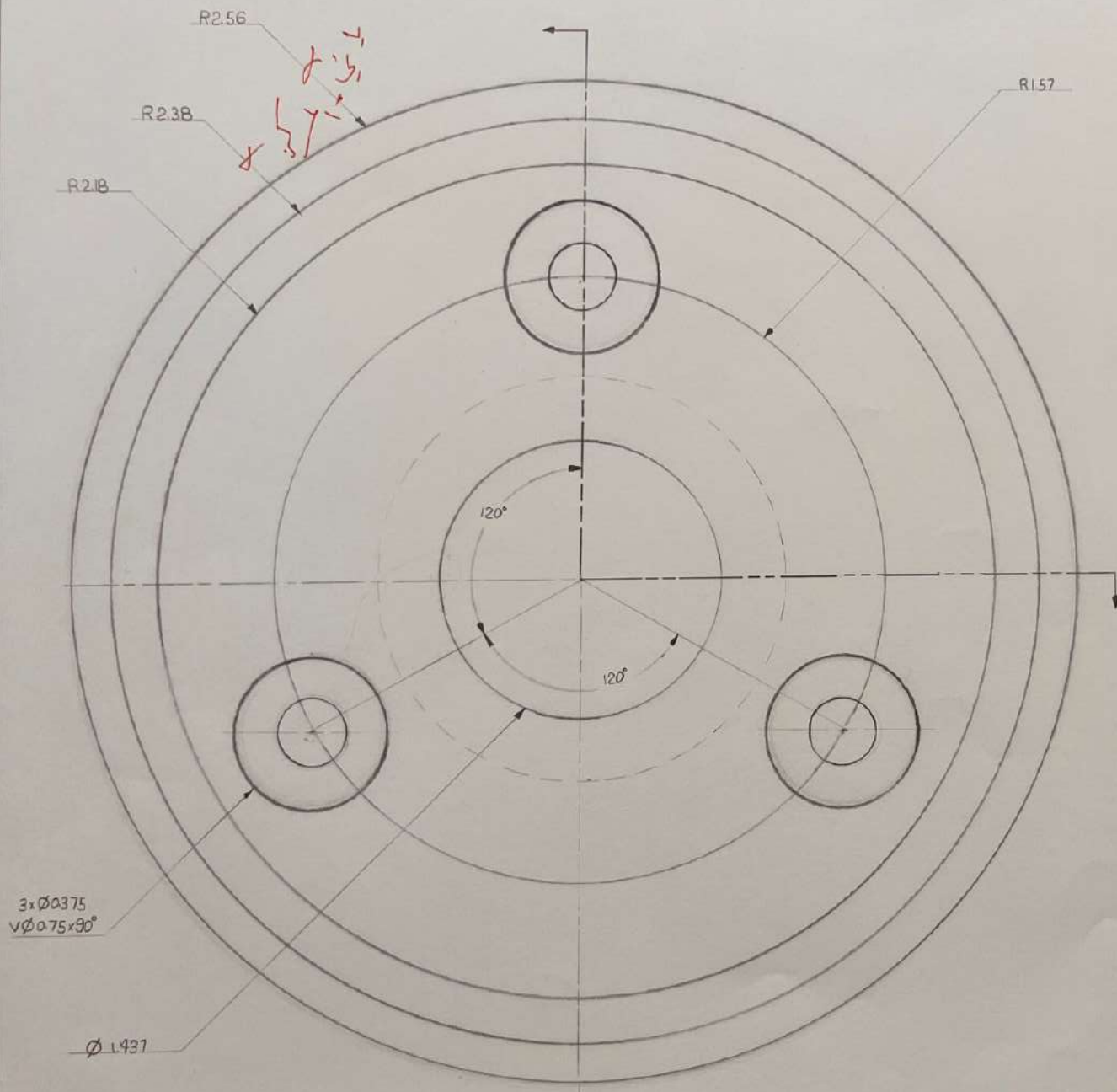
Front + Right in Half Section

All dimension are given in inch

Scale 2:1

1 inch = 25.4 mm
= 50.8 mm





SECTION

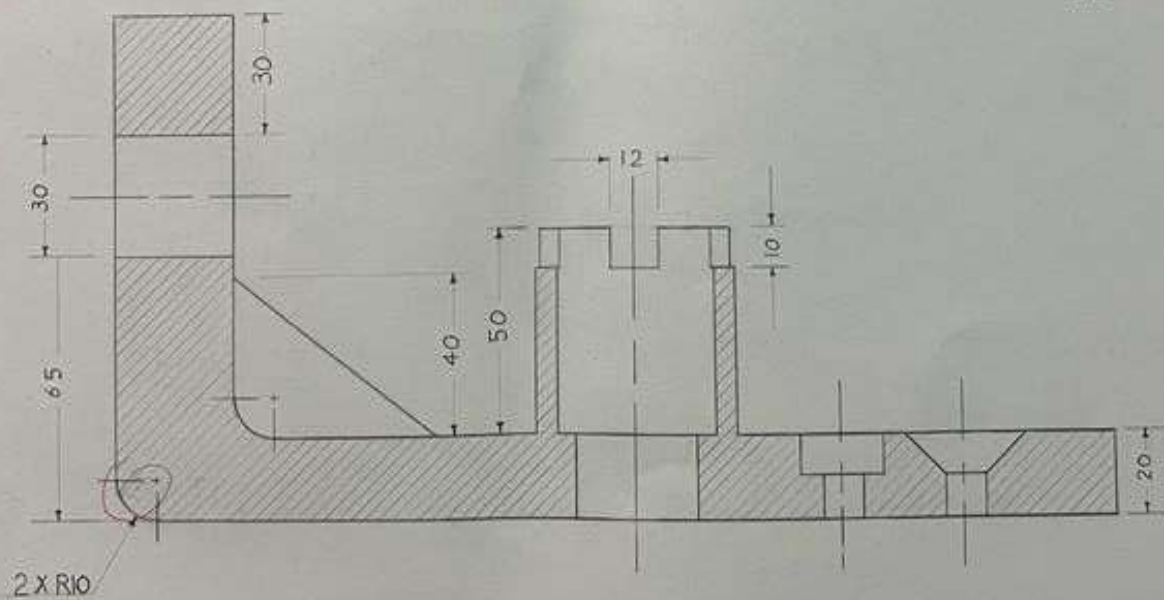
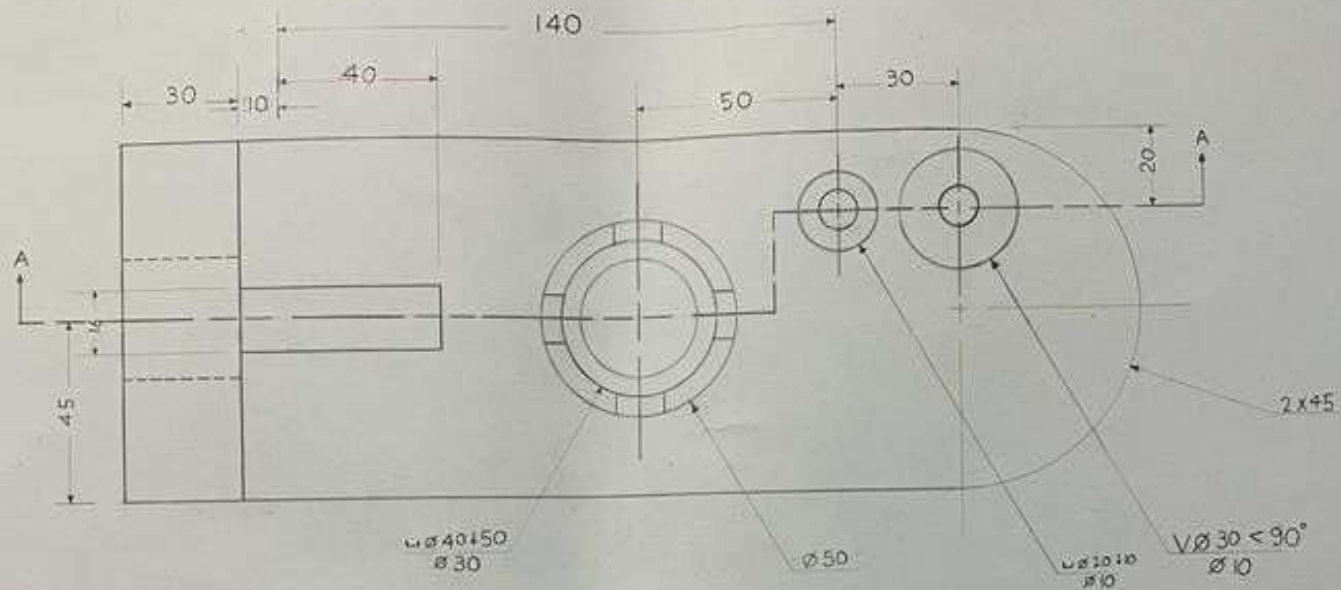
YASMIN DARAWI

120848

11M

23-1

2:1



OFFSET SECTION

OMAR HAMAYEL

1220356

23 / I

W09

1/1