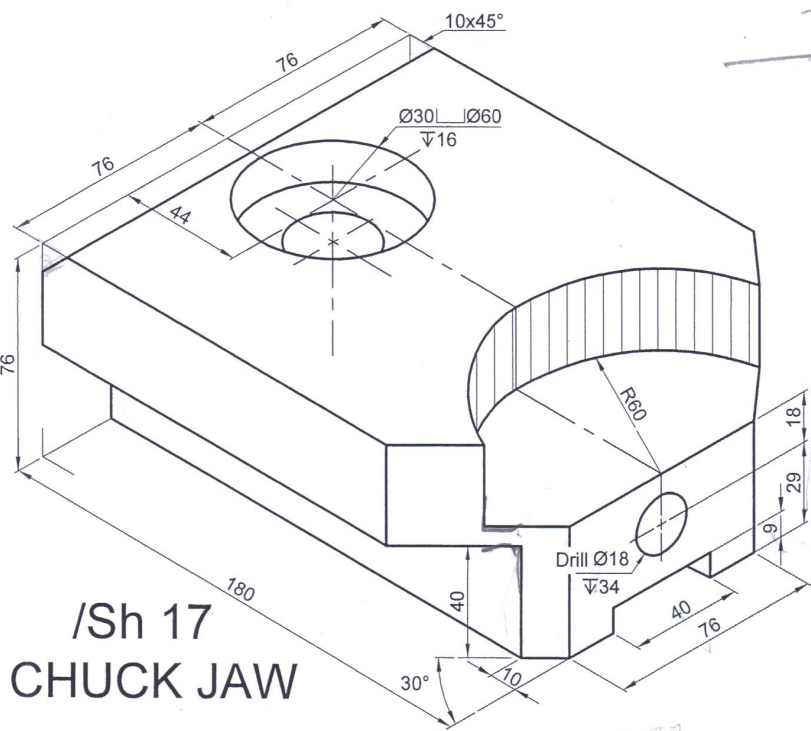
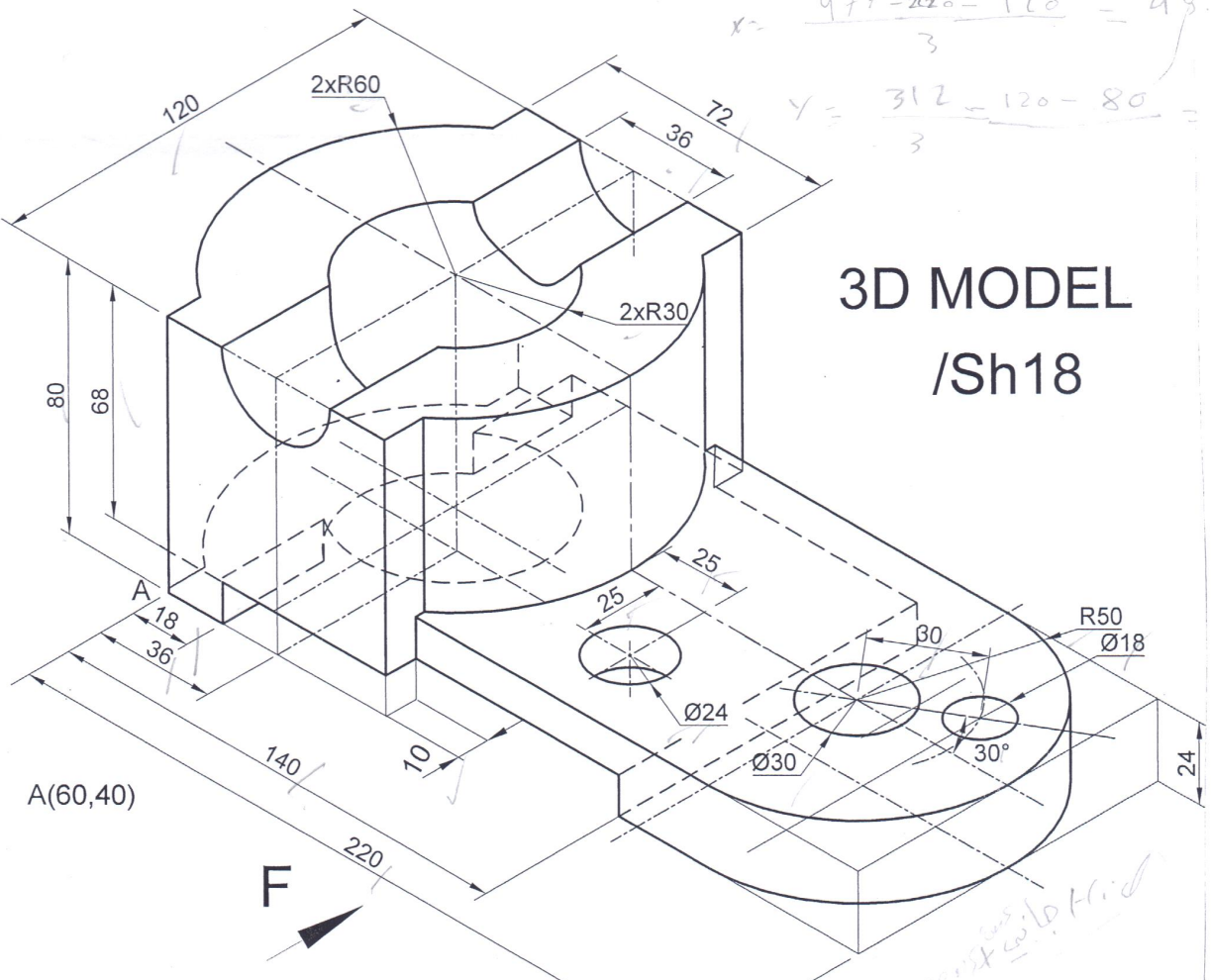


$$\begin{aligned}
 w &= 47.3 \\
 x &= \frac{180 - 180 - 152}{3} \\
 &= \frac{48.33}{3} \\
 &= 16.11 \\
 y &= \frac{310 - 76 - 152}{3} \\
 &= \frac{82}{3} \\
 &= 27.33
 \end{aligned}$$



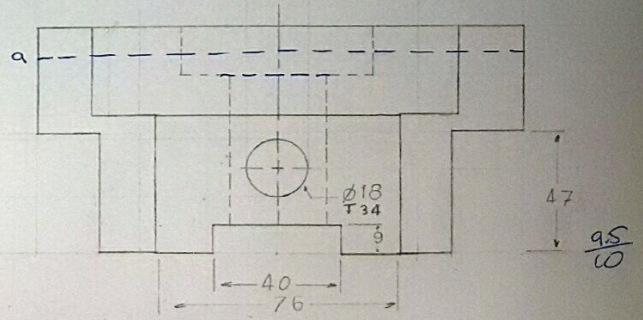
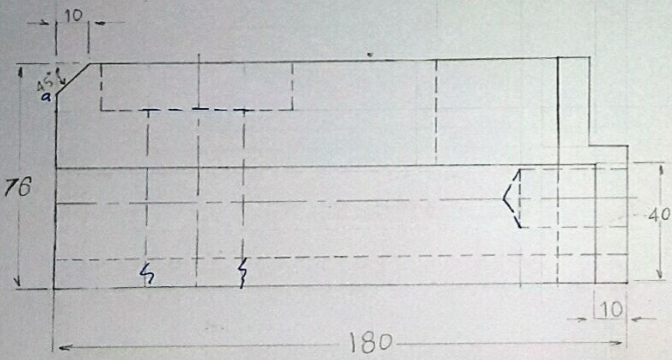
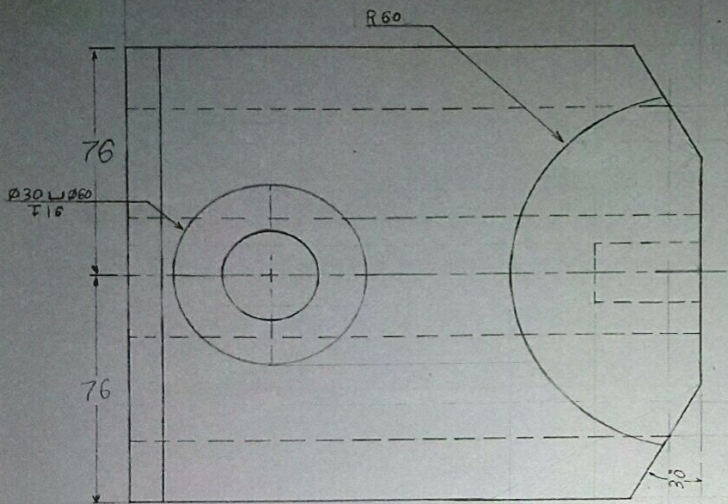
/Sh 17
CHUCK JAW

$$\begin{aligned}
 x &= \frac{477 - 220 - 120}{3} = 49.66 \\
 y &= \frac{312 - 120 - 80}{3} = 37.33
 \end{aligned}$$



3D MODEL
/Sh18

Draw 3 views, Top view, Front view & Right side view.
Add dimensions



CHUCK JAW

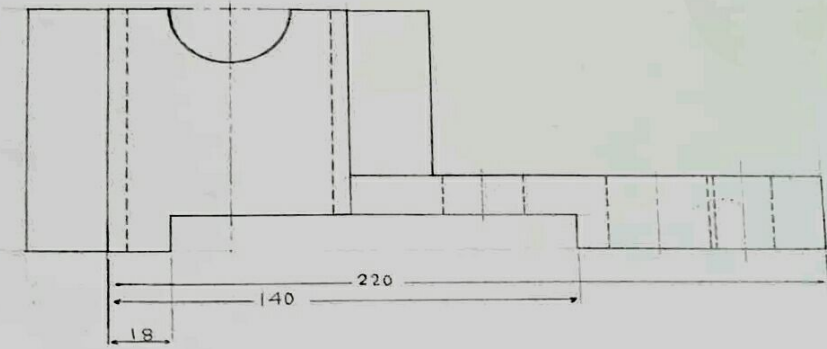
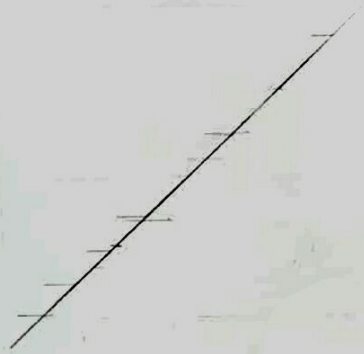
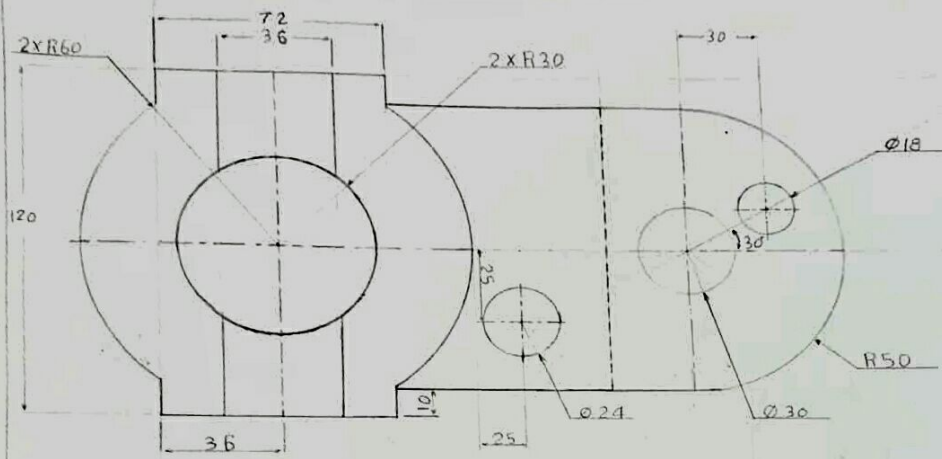
MOHANAD SHANNK

1181401

W01/SL17 20/3/2018

1:1

95/10

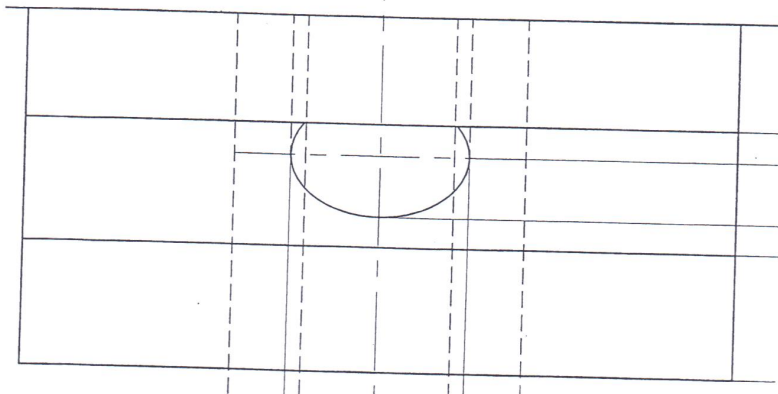


3D MODEL

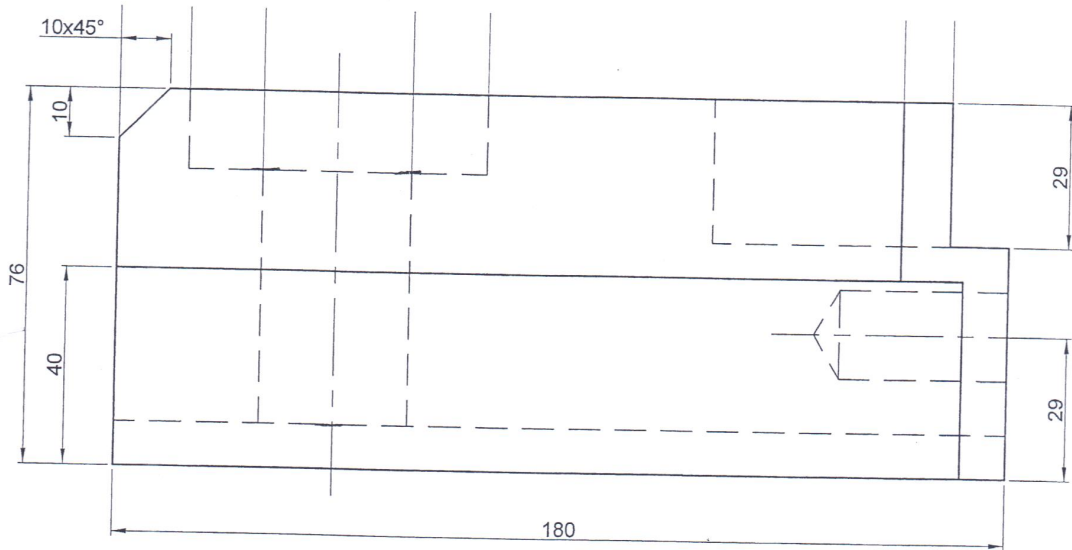
MOHANAD SHANNK

11814-01 W01/SK18 20/3/2018

1:1



SH16 جزء من قطعة لعلوي ل
Guide Piece 2



SH17 Chuck Jaw
 Frontal View مَقَامِي ل