

BIRZEIT UNIVERSITY

Department of Mechanical and Mechatronics

Engineering

Engineering Drawing ENME121

Midterm Exam

Exam duration: 2:30 Hours

2nd Semester March 2019

Problem 1 : (60%) Geomatic Construction

Using A3 Sheet , Draw Figure 1 with the drawing instruments

Note:

- Dimensions are all in mm.
- Use a **scale of 1:1**.
- Start draw from point C (245,185)

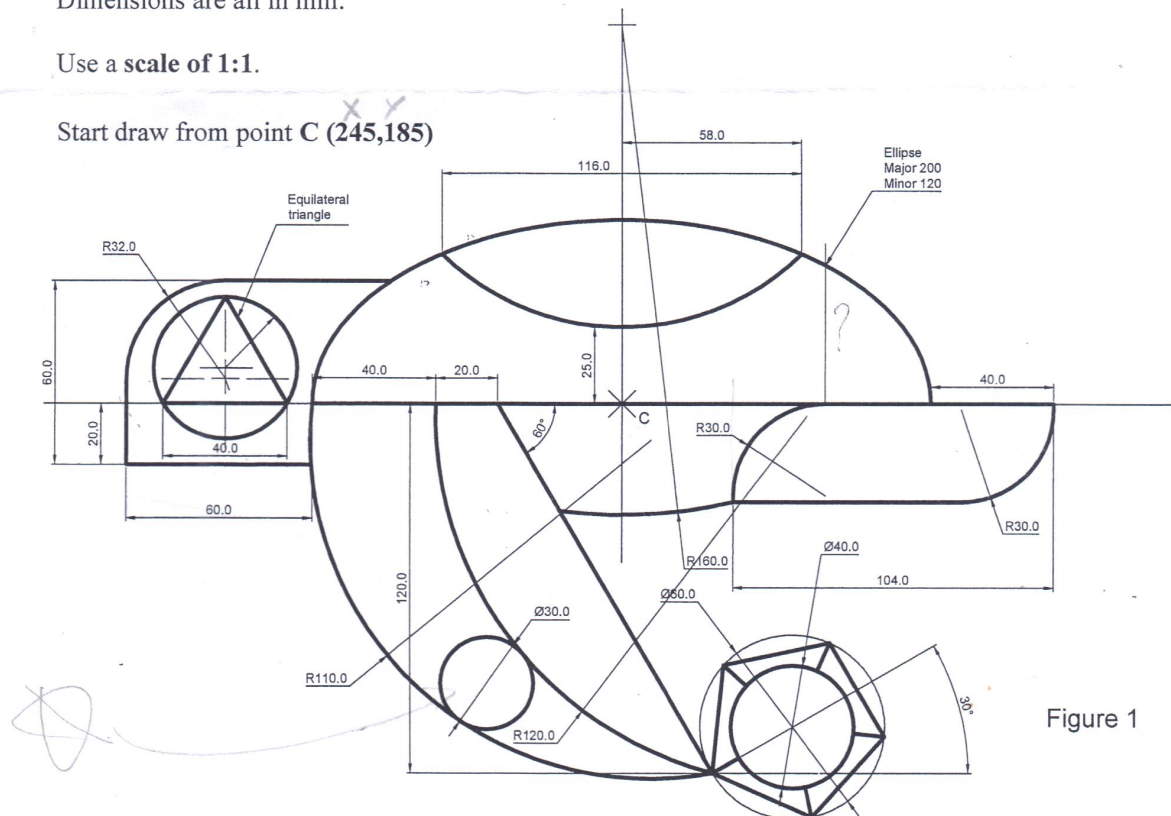


Figure 1

Problem 2 : (40%) Free Hand Sketching

Given an isometric drawing in the next page , sketch with a scale 1:1 the Front, Top and Right side views ,at the space provided

Q1) Draw the Isometric projection for the Front and Top views of the object shown in Figure (2):

Note:

- All dimensions are given in mm.
- Start your drawing at point A(245,30) from the lower left corner of your sheet

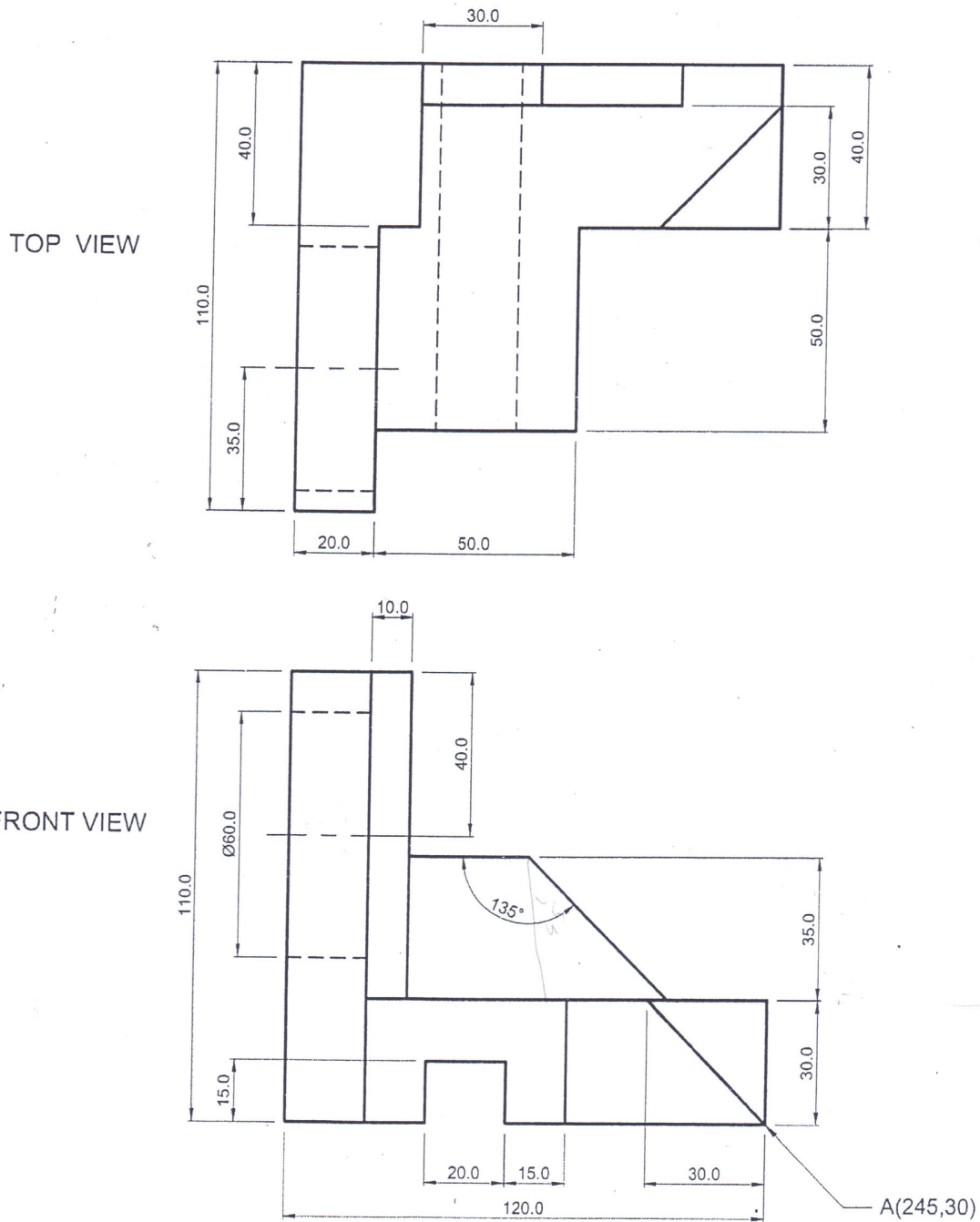


Figure 2, Isometric Question