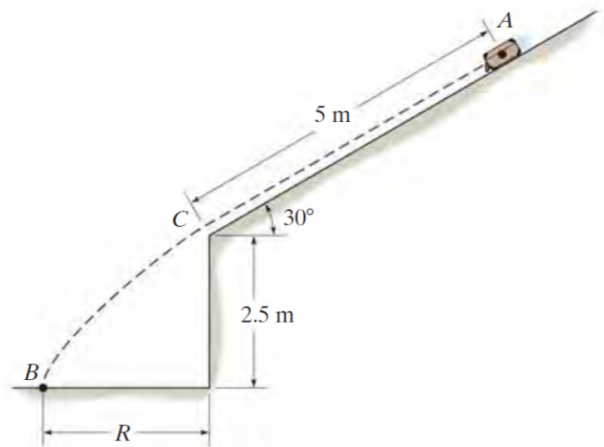


1) **ABET SO (a)**: A 60 kg suitcase slides 5 m down the ramp that has a coefficient of kinetic friction $\mu_k = 0.2$. If the suitcase has an initial velocity of $v_A = 2\text{ m/s}$, determine the distance R where it strikes the ground at B . How long does it take to go from A to B ? ($g = 9.81\text{ m/s}^2$)

Show necessary free body diagram(s), and clearly label coordinate system(s).



30 marks