

SOLUTIONS MANUAL

DIGITAL DESIGN

**WITH AN INTRODUCTION TO THE VERILOG HDL
Fifth Edition**

M. MORRIS MANO

**Professor Emeritus
California State University, Los Angeles**

MICHAEL D. CILETTI

**Professor Emeritus
University of Colorado, Colorado Springs**

rev 02/14/2012

CHAPTER 1

- 1.1** Base-10: 16 17 18 19 20 21 22 23 24 25 26 27 28 29 30 31 32
 Octal: 20 21 22 23 24 25 26 27 30 31 32 33 34 35 36 37 40
 Hex: 10 11 12 13 14 15 16 17 18 19 1A 1B 1C 1D 1E 1F 20
 Base-12: 14 15 16 17 18 19 1A 1B 20 21 22 23 24 25 26 27 28
- 1.2** (a) 32,768 (b) 67,108,864 (c) 6,871,947,674
- 1.3** $(4310)_5 = 4 * 5^3 + 3 * 5^2 + 1 * 5^1 = 580_{10}$
 $(198)_{12} = 1 * 12^2 + 9 * 12^1 + 8 * 12^0 = 260_{10}$
 $(435)_8 = 4 * 8^2 + 3 * 8^1 + 5 * 8^0 = 285_{10}$
 $(345)_6 = 3 * 6^2 + 4 * 6^1 + 5 * 6^0 = 137_{10}$
- 1.4** 16-bit binary: 1111_1111_1111_1111
 Decimal equivalent: $2^{16} - 1 = 65,535_{10}$
 Hexadecimal equivalent: FFFF₁₆
- 1.5** Let b = base
- (a) $14/2 = (b + 4)/2 = 5$, so b = 6
- (b) $54/4 = (5*b + 4)/4 = b + 3$, so $5 * b = 52 - 4$, and b = 8
- (c) $(2 * b + 4) + (b + 7) = 4b$, so b = 11
- 1.6** $(x - 3)(x - 6) = x^2 - (6 + 3)x + 6*3 = x^2 - 11x + 22$
 Therefore: $6 + 3 = b + 1m$, so b = 8
 Also, $6*3 = (18)_{10} = (22)_8$
- 1.7** $64CD_{16} = 0110_0100_1100_1101_2 = 110_010_011_001_101 = (62315)_8$
- 1.8** (a) Results of repeated division by 2 (quotients are followed by remainders):
 $431_{10} = 215(1); 107(1); 53(1); 26(1); 13(0); 6(1) 3(0) 1(1)$
 Answer: $1111_1010_2 = FA_{16}$
- (b) Results of repeated division by 16:
 $431_{10} = 26(15); 1(10)$ (Faster)
 Answer: FA = 1111_1010
- 1.9** (a) $10110.0101_2 = 16 + 4 + 2 + .25 + .0625 = 22.3125$
 (b) $16.5_{16} = 16 + 6 + 5*(.0615) = 22.3125$
 (c) $26.24_8 = 2 * 8 + 6 + 2/8 + 4/64 = 22.3125$
 (d) $DADA.B_{16} = 14*16^3 + 10*16^2 + 14*16 + 10 + 11/16 = 60,138.6875$

$$(e) 1010.1101_2 = 8 + 2 + .5 + .25 + .0625 = 10.8125$$

$$1.10 \quad (a) 1.10010_2 = 0001.1001_2 = 1.9_{16} = 1 + 9/16 = 1.563_{10}$$

$$(b) 110.010_2 = 0110.0100_2 = 6.4_{16} = 6 + 4/16 = 6.25_{10}$$

Reason: 110.010_2 is the same as 1.10010_2 shifted to the left by two places.

$$1.11 \quad \begin{array}{r} \underline{1011.11} \\ 101 \overline{) 111011.0000} \\ \underline{101} \\ 01001 \\ \underline{101} \\ 1001 \\ \underline{101} \\ 1000 \\ \underline{101} \\ 0110 \end{array}$$

The quotient is carried to two decimal places, giving 1011.11

$$\text{Checking: } 111011_2 / 101_2 = 59_{10} / 5_{10} \approx 1011.11_2 = 58.75_{10}$$

$$1.12 \quad (a) 10000 \text{ and } 110111$$

$$\begin{array}{r} 1011 \\ +101 \\ \hline 10000 = 16_{10} \end{array}$$

$$\begin{array}{r} 1011 \\ \times 101 \\ \hline 1011 \\ 1011 \\ \hline 110111 = 55_{10} \end{array}$$

$$(b) 62_h \text{ and } 958_h$$

$$\begin{array}{r} 2E_h \quad 0010_1110 \\ +34_h \quad 0011_0100 \\ \hline 62_h \quad 0110_0010 = 98_{10} \end{array}$$

$$\begin{array}{r} 2E_h \\ \times 34_h \\ \hline B^38 \\ \hline 8^2A \\ 9 \ 5 \ 8_h = 2392_{10} \end{array}$$

$$1.13 \quad (a) \text{ Convert } 27.315 \text{ to binary:}$$

	Integer Quotient		Remainder	Coefficient
$27/2 =$	13	+	$\frac{1}{2}$	$a_0 = 1$
$13/2$	6	+	$\frac{1}{2}$	$a_1 = 1$
$6/2$	3	+	0	$a_2 = 0$
$3/2$	1	+	$\frac{1}{2}$	$a_3 = 1$
$\frac{1}{2}$	0	+	$\frac{1}{2}$	$a_4 = 1$

$$27_{10} = 11011_2$$

	Integer	Fraction	Coefficient
.315 x 2 =	0	+ .630	a ₁ = 0
.630 x 2 =	1	+ .26	a ₂ = 1
.26 x 2 =	0	+ .52	a ₃ = 0
.52 x 2 =	1	+ .04	a ₄ = 1

$$.315_{10} \approx .0101_2 = .25 + .0625 = .3125$$

$$27.315 \approx 11011.0101_2$$

$$(b) \ 2/3 \approx .666666667$$

	Integer	Fraction	Coefficient
.6666_6666_67 x 2 =	1	+ .3333_3333_34	a ₁ = 1
.3333333334 x 2 =	0	+ .6666666668	a ₂ = 0
.6666666668 x 2 =	1	+ .3333333336	a ₃ = 1
.3333333336 x 2 =	0	+ .6666666672	a ₄ = 0
.6666666672 x 2 =	1	+ .3333333344	a ₅ = 1
.3333333344 x 2 =	0	+ .6666666688	a ₆ = 0
.6666666688 x 2 =	1	+ .3333333376	a ₇ = 1
.3333333376 x 2 =	0	+ .6666666752	a ₈ = 0

$$.666666667_{10} \approx .10101010_2 = .5 + .125 + .0313 + .0078 = .6641_{10}$$

$$.10101010_2 = .1010_{10} = .AA_{16} = 10/16 + 10/256 = .6641_{10} \text{ (Same as (b))}$$

1.14 (a) 0001_0000 1s comp: 1110_1111 2s comp: 1111_0000 (b) 0000_0000 1s comp: 1111_1111 2s comp: 0000_0000 (c) 1101_1010 1s comp: 0010_0101 2s comp: 0010_0110

(d) 1010_1010 1s comp: 0101_0101 2s comp: 0101_0110 (e) 1000_0101 1s comp: 0111_1010 2s comp: 0111_1011 (f) 1111_1111 1s comp: 0000_0000 2s comp: 0000_0001

1.15 (a) 25,478,036 9s comp: 74,521,963 10s comp: 74,521,964 (b) 63,325,600 9s comp: 36,674,399 10s comp: 36,674,400

(c) 25,000,000 9s comp: 74,999,999 10s comp: 75,000,000 (d) 00000000 9s comp: 99999999 10s comp: 100000000

1.16 C3DF 15s comp: 3C20 16s comp: 3C21 C3DF: 1100_0011_1101_1111 1s comp: 0011_1100_0010_0000 2s comp: 0011_1100_0010_0001 = 3C21

1.17 (a) 2,579 → 02,579 → 97,420 (9s comp) → 97,421 (10s comp) 4637 - 2,579 = 2,579 + 97,421 = 2058₁₀

(b) 1800 → 01800 → 98199 (9s comp) → 98200 (10 comp) 125 - 1800 = 00125 + 98200 = 98325 (negative) Magnitude: 1675 Result: 125 - 1800 = 1675

(c) $4,361 \rightarrow 04361 \rightarrow 95638$ (9s comp) $\rightarrow 95639$ (10s comp)
 $2043 - 4361 = 02043 + 95639 = 97682$ (Negative)
 Magnitude: 2318
 Result: $2043 - 6152 = -2318$

(d) $745 \rightarrow 00745 \rightarrow 99254$ (9s comp) $\rightarrow 99255$ (10s comp)
 $1631 - 745 = 01631 + 99255 = 0886$ (Positive)
 Result: $1631 - 745 = 886$

1.18 Note: Consider sign extension with 2s complement arithmetic.

<p>(a) 0_10010 1s comp: 1_01101 2s comp: 1_01110 0_10011 Diff: 0_00001 (Positive) Check: $19 - 18 = +1$</p>	<p>(b) 0_100110 1s comp: 1_011001 with sign extension 2s comp: 1_011010 0_100010 1_111100 sign bit indicates that the result is negative 0_000011 1s complement 0_000100 2s complement 000100 magnitude Result: -4 Check: $34 - 38 = -4$</p>
--	--

<p>(c) 0_110101 1s comp: 1_001010 2s comp: 1_001011 0_001001 Diff: 1_010100 (negative) 0_101011 (1s comp) 0_101100 (2s complement) 101100 (magnitude) -44_{10} (result)</p>	<p>(d) 0_010101 1s comp: 1_101010 with sign extension 2s comp: 1_101011 0_101000 0_010011 sign bit indicates that the result is positive Result: 19_{10} Check: $40 - 21 = 19_{10}$</p>
--	--

1.19 $+9286 \rightarrow 009286$; $+801 \rightarrow 000801$; $-9286 \rightarrow 990714$; $-801 \rightarrow 999199$

(a) $(+9286) + (801) = 009286 + 000801 = 010087$

(b) $(+9286) + (-801) = 009286 + 999199 = 008485$

(c) $(-9286) + (+801) = 990714 + 000801 = 991515$

(d) $(-9286) + (-801) = 990714 + 999199 = 989913$

1.20 $+49 \rightarrow 0_110001$ (Needs leading zero extension to indicate + value);
 $+29 \rightarrow 0_011101$ (Leading 0 indicates + value)
 $-49 \rightarrow 1_001110 + 0_000001 \rightarrow 1_001111$
 $-29 \rightarrow 1_100011$ (sign extension indicates negative value)

(a) $(+29) + (-49) = 0_011101 + 1_001111 = 1_101100$ (1 indicates negative value.)
 Magnitude = $0_010011 + 0_000001 = 0_010100 = 20$; Result $(+29) + (-49) = -20$

(b) $(-29) + (+49) = 1_100011 + 0_110001 = 0_010100$ (0 indicates positive value)
 $(-29) + (+49) = +20$

- (c) Must increase word size by 1 (sign extension) to accommodate overflow of values:
 $(-29) + (-49) = 11_100011 + 11_001111 = 10_110010$ (1 indicates negative result)
 Magnitude: $01_001110 = 78_{10}$
 Result: $(-29) + (-49) = -78_{10}$

1.21 $+9742 \rightarrow 009742 \rightarrow 990257$ (9's comp) $\rightarrow 990258$ (10s) comp
 $+641 \rightarrow 000641 \rightarrow 999358$ (9's comp) $\rightarrow 999359$ (10s) comp

(a) $(+9742) + (+641) \rightarrow 010383$

(b) $(+9742) + (-641) \rightarrow 009742 + 999359 = 009102$
 Result: $(+9742) + (-641) = 9102$

(c) $(-9742) + (+641) = 990258 + 000641 = 990899$ (negative)
 Magnitude: 009101
 Result: $(-9742) + (641) = -9101$

(d) $(-9742) + (-641) = 990258 + 999359 = 989617$ (Negative)
 Magnitude: 10383
 Result: $(-9742) + (-641) = -10383$

1.22 6,514
 BCD: 0110_0101_0001_0100
 ASCII: 0_011_0110_0_011_0101_1_011_0001_1_011_0100
 ASCII: 0011_0110_0011_0101_1011_0001_1011_0100

1.23

0111	1001	0001	(791)
<u>0110</u>	<u>0101</u>	<u>1000</u>	(+658)
1101	1110	1001	
<u>0110</u>	<u>0110</u>		
0001	0011	0100	
0001	0001		
0001	0100	0100	1001 (1,449)

1.24	(a)	(b)
	6 3 1 1 Decimal	6 4 2 1 Decimal
	0 0 0 0 0	0 0 0 0 0
	0 0 0 1 1	0 0 0 1 1
	0 0 1 0 2	0 0 1 0 2
	0 1 0 0 3	0 0 1 1 3
	0 1 1 0 4 (or 0101)	0 1 0 0 4
	0 1 1 1 5	0 1 0 1 5
	1 0 0 0 6	1 0 0 0 6 (or 0110)
	1 0 1 0 7 (or 1001)	1 0 0 1 7
	1 0 1 1 8	1 0 1 0 8
	1 1 0 0 9	1 0 1 1 9

1.25

(a)	6,248 ₁₀	BCD:	0110_0010_0100_1000
(b)		Excess-3:	1001_0101_0111_1011
(c)	2421:		0110_0010_0100_1110
(d)	6311:		1000_0010_0110_1011

1.26 6,248 9s Comp: 3,751
 2421 code: 0011_0111_0101_0001
 1s comp c: 1001_1101_1011_0001 (2421 code alternative #1)

 6,248₂₄₂₁ 0110_0010_0100_1110 (2421 code alternative #2)
 1s comp c 1001_1101_1011_0001 Match

1.27 For a deck with 52 cards, we need 6 bits ($2^5 = 32 < 52 < 64 = 2^6$). Let the msb's select the suit (e.g., diamonds, hearts, clubs, spades are encoded respectively as 00, 01, 10, and 11. The remaining four bits select the "number" of the card. Example: 0001 (ace) through 1011 (9), plus 101 through 1100 (jack, queen, king). This a jack of spades might be coded as 11_1010. (Note: only 52 out of 64 patterns are used.)

1.28 G (dot) (space) B o o l e
11000111_11101111_01101000_01101110_00100000_11000100_11101111_11100101

1.29 Steve Jobs

1.30 73 F4 E5 76 E5 4A EF 62 73

73: 0_111_0011 s
F4: 1_111_0100 t
E5: 1_110_0101 e
76: 0_111_0110 v
E5: 1_110_0101 e
4A: 0_100_1010 j
EF: 1_110_1111 o
62: 0_110_0010 b
73: 0_111_0011 s

1.31 $62 + 32 = 94$ printing characters

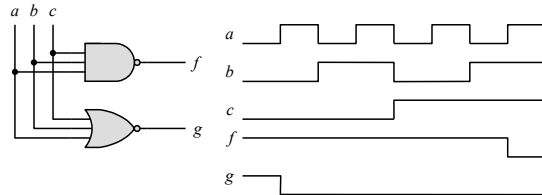
1.32 bit 6 from the right

1.33 (a) 897 (b) 564 (c) 871 (d) 2,199

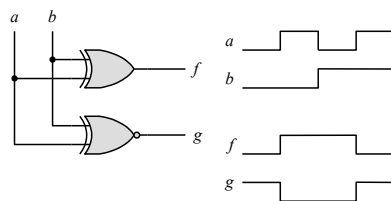
1.34 ASCII for decimal digits with even parity:

(0): 00110000 (1): 10110001 (2): 10110010 (3): 00110011
(4): 10110100 (5): 00110101 (6): 00110110 (7): 10110111
(8): 10111000 (9): 00111001

1.35 (a)



1.36



CHAPTER 2

2.1 (a)

xyz	$x+y+z$	$(x+y+z)'$	x'	y'	z'	$x'y'z'$	xyz	(xyz)	$(xyz)'$	x'	y'	z'	$x'+y'+z'$
000	0	1	1	1	1	1	000	0	1	1	1	1	1
001	1	0	1	1	0	0	001	0	1	1	1	0	1
010	1	0	1	0	1	0	010	0	1	1	0	1	1
011	1	0	1	0	0	0	011	0	1	1	0	0	1
100	1	0	0	1	1	0	100	0	1	0	1	1	1
101	1	0	0	1	0	0	101	0	1	0	1	0	1
110	1	0	0	0	1	0	110	0	1	0	0	1	1
111	1	0	0	0	0	0	111	1	0	0	0	0	0

(b)

xyz	$x+yz$	$(x+y)$	$(x+z)$	$(x+y)(x+z)$
000	0	0	0	0
001	0	0	1	0
010	0	1	0	0
011	1	1	1	1
100	1	1	1	1
101	1	1	1	1
110	1	1	1	1
111	1	1	1	1

(c)

xyz	$x(y+z)$	xy	xz	$xy+xz$
000	0	0	0	0
001	0	0	0	0
010	0	0	0	0
011	0	0	0	0
100	0	0	0	0
101	1	0	1	1
110	1	1	0	1
111	1	1	1	1

(e)

xyz	x	$y+z$	$x+(y+z)$	$(x+y)$	$(x+y)+z$
000	0	0	0	0	0
001	0	1	1	0	1
010	0	1	1	1	1
011	0	1	1	1	1
100	1	0	1	1	1
101	1	1	1	1	1
110	1	1	1	1	1
111	1	1	1	1	1

(d)

xyz	yz	$x(yz)$	xy	$(xy)z$
000	0	0	0	0
001	0	0	0	0
010	0	0	0	0
011	1	0	0	0
100	0	0	0	0
101	0	0	0	0
110	0	0	1	0
111	1	1	1	1

2.2 (a) $xy + xy' = x(y + y') = x$

(b) $(x+y)(x+y') = x + yy' = x(x+y') + y(x+y') = xx + xy' + xy + yy' = x$

(c) $xyz + x'y + xyz' = xy(z+z') + x'y = xy + x'y = y$

(d) $(A+B)(A'+B') = (A'B')(AB) = (A'B')(BA) = A'(B'B)A = 0$

(e) $(a+b+c)(a'b'+c) = aa'b' + ac + ba'b' + bc + c'a'b' + c'c = ac + bc + a'b'c'$

(f) $a'bc + abc' + abc + a'bc' = a'b(c+c') + ab(c+c') = a'b + ab = (a'+a)b = b$

2.3 (a) $ABC + A'B + ABC' = AB + A'B = B$

(b) $x'yz + xz = (x'y + x)z = z(x + x')(x + y) = z(x + y)$

(c) $(x + y)'(x' + y') = x'y'(x' + y') = x'y'$

(d) $xy + x(wz + wz') = x(y + wz + wz') = x(w + y)$

(e) $(BC' + A'D)(AB' + CD') = BC'AB' + BC'CD' + A'DAB' + A'DCD' = 0$

(f) $(a' + c')(a + b' + c') = a'a + a'b' + a'c' + c'a + c'b' + c'c' = a'b' + a'c' + ac' + b'c' = c' + b'(a' + c')$
 $= c' + b'c' + a'b' = c' + a'b'$

2.4 (a) $A'C' + ABC + AC' = C' + ABC = (C + C')(C' + AB) = AB + C'$

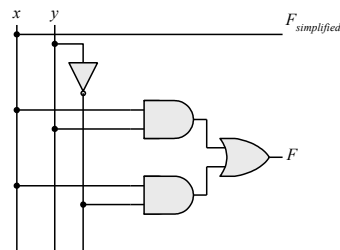
(b) $(x'y' + z)' + z + xy + wz = (x'y')z' + z + xy + wz = [(x + y)z' + z] + xy + wz =$
 $= (z + z')(z + x + y) + xy + wz = z + wz + x + xy + y = z(1 + w) + x(1 + y) + y = x + y + z$

(c) $A'B(D' + C'D) + B(A + A'CD) = B(A'D' + A'C'D + A + A'CD)$
 $= B(A'D' + A + A'D(C + C')) = B(A + A'(D' + D)) = B(A + A') = B$

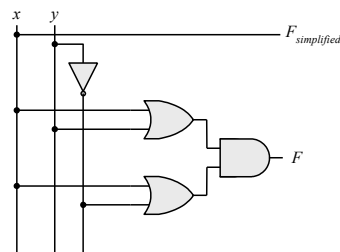
(d) $(A' + C)(A' + C')(A + B + C'D) = (A' + CC')(A + B + C'D) = A'(A + B + C'D)$
 $= AA' + A'B + A'C'D = A'(B + C'D)$

(e) $ABC'D + A'BD + ABCD = AB(C + C')D + A'BD = ABD + A'BD = BD$

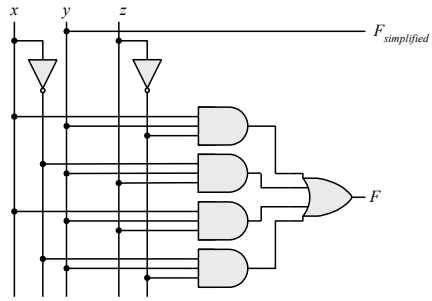
2.5 (a)



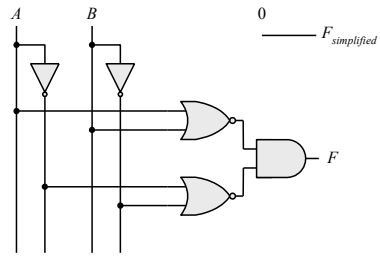
(b)



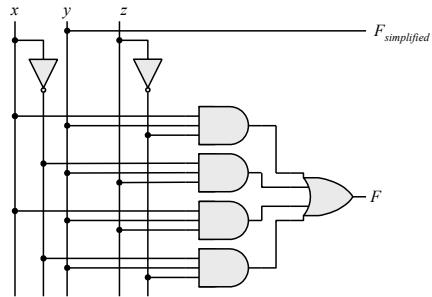
(c)



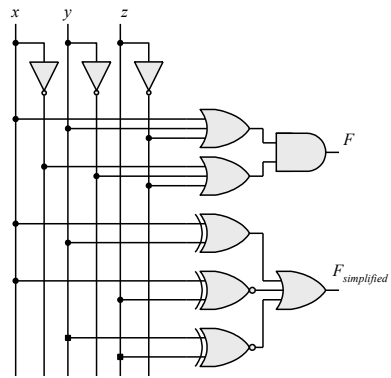
(d)



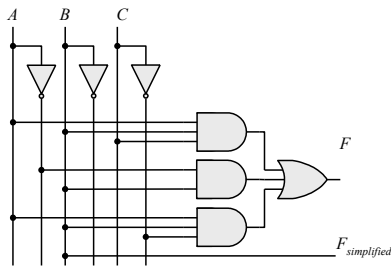
(e)



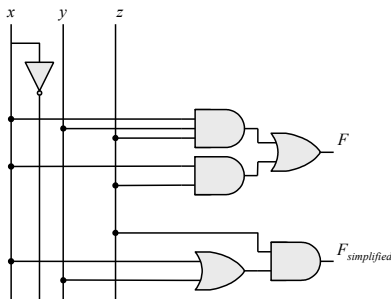
(f)



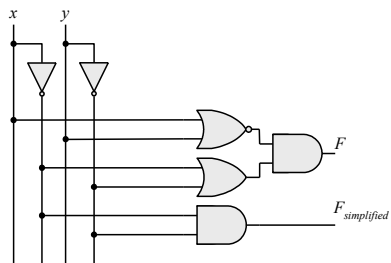
2.6 (a)

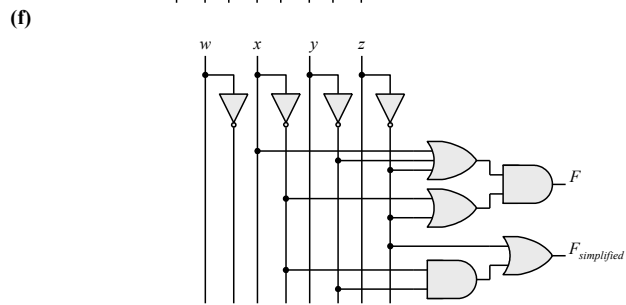
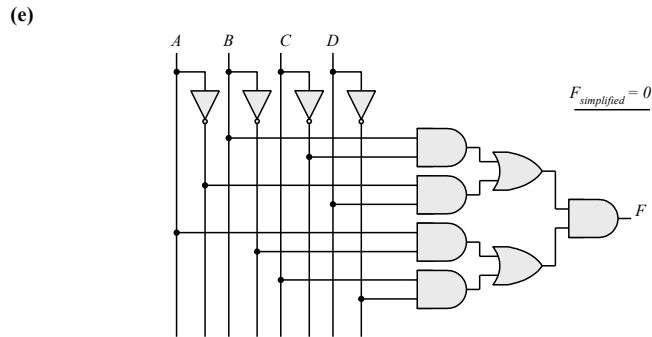
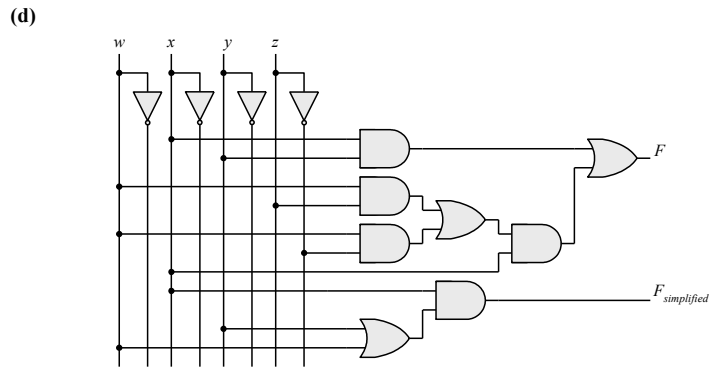


(b)

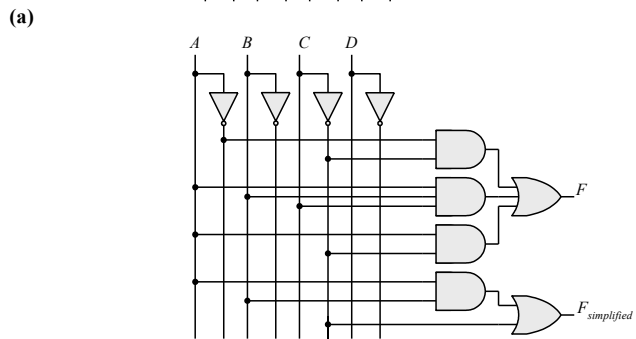


(c)

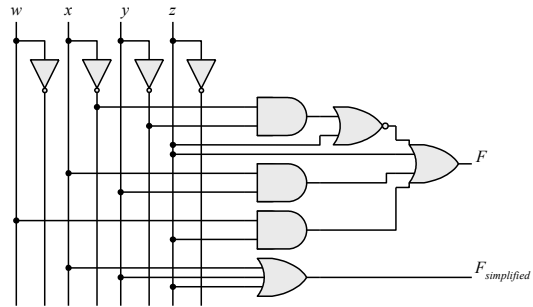




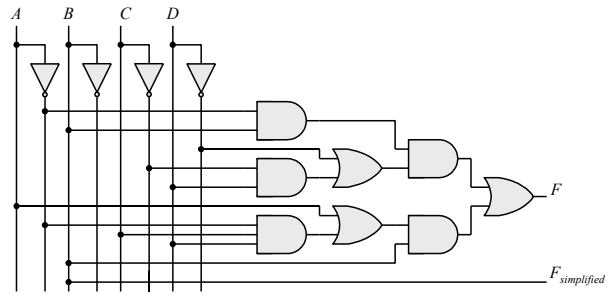
2.7



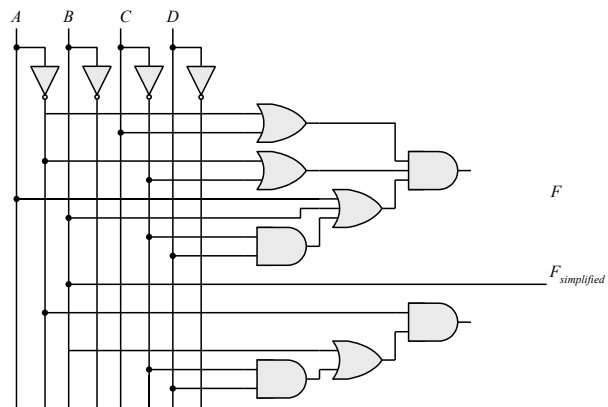
(b)



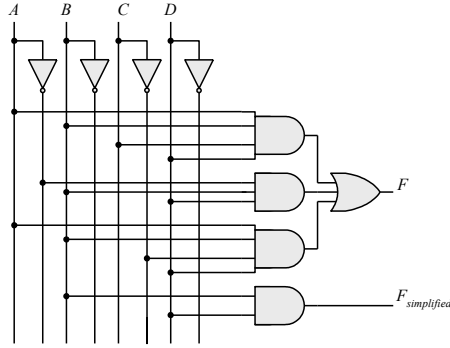
(c)



(d)



(e)



2.8 $F' = (wx + yz)' = (wx)'(yz)' = (w' + x')(y' + z')$

$FF' = wx(w' + x')(y' + z') + yz(w' + x')(y' + z') = 0$
 $F + F' = wx + yz + (wx + yz)' = A + A' = 1$ with $A = wx + yz$

2.9 (a) $F' = (xy' + x'y)' = (xy)'(x'y)' = (x' + y)(x + y') = xy + x'y'$

(b) $F' = [(a + c)(a + b')(a' + b + c')] = (a + c)' + (a + b')' + (a' + b + c)'$
 $= a'c' + a'b + ab'c$

(c) $F' = [z + z'(v'w + xy)]' = z'[z'(v'w + xy)]' = z'[z'v'w + xyz]'$
 $= z'[(z'v'w)'(xyz)'] = z'[(z + v + w)' + (x' + y' + z)']$
 $= z'z + z'v + z'w' + z'x' + z'y' + z'z = z'(v + w' + x' + y')$

2.10 (a) $F_1 + F_2 = \sum m_{1i} + \sum m_{2i} = \sum (m_{1i} + m_{2i})$

(b) $F_1 F_2 = \sum m_i \sum m_j$ where $m_i m_j = 0$ if $i \neq j$ and $m_i m_j = 1$ if $i = j$

2.11 (a) $F(x, y, z) = \sum(1, 4, 5, 6, 7)$

(b) $F(a, b, c) = \sum(0, 2, 3, 7)$

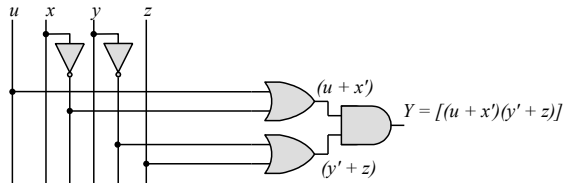
$F = xy + xy' + y'z$		$F = bc + a'c'$	
x y z	F	a b c	F
0 0 0	0	0 0 0	1
0 0 1	1	0 0 1	0
0 1 0	0	0 1 0	1
0 1 1	0	0 1 1	1
1 0 0	1	1 0 0	0
1 0 1	1	1 0 1	0
1 1 0	1	1 1 0	0
1 1 1	1	1 1 1	1

2.12 $A = 1011_0001$
 $B = 1010_1100$

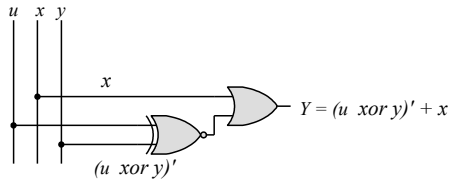
- (a) $A \text{ AND } B = 1010_0000$
- (b) $A \text{ OR } B = 1011_1101$
- (c) $A \text{ XOR } B = 0001_1101$
- (d) $\text{NOT } A = 0100_1110$
- (e) $\text{NOT } B = 0101_0011$

2.13

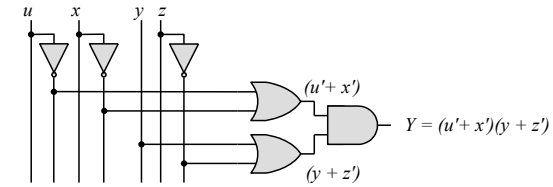
(a)



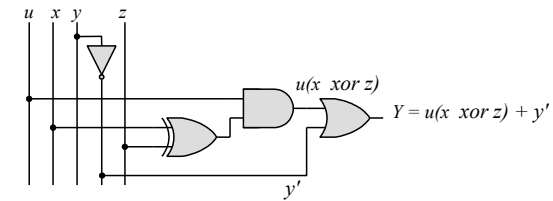
(b)



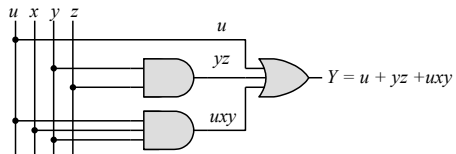
(c)



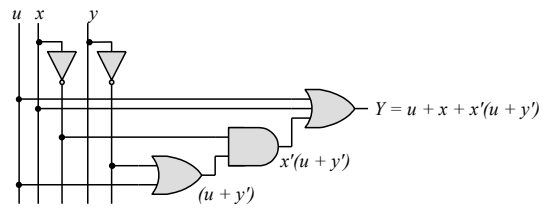
(d)



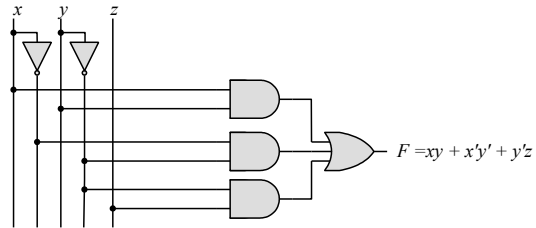
(e)



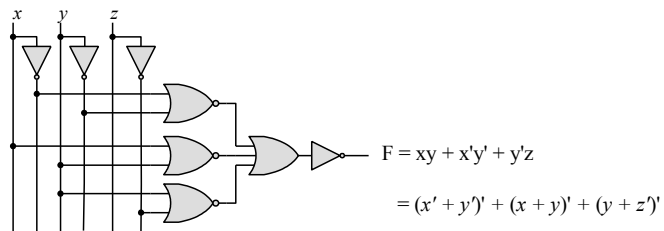
(f)



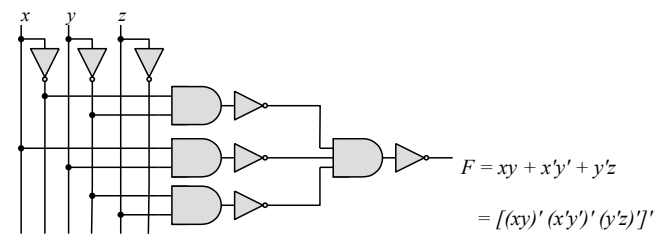
2.14 (a)



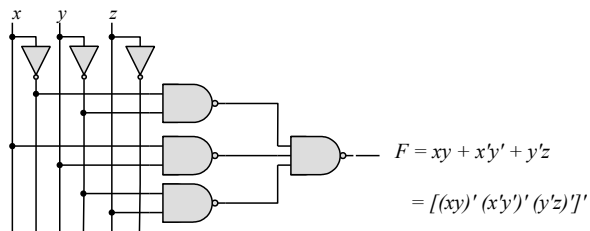
(b)



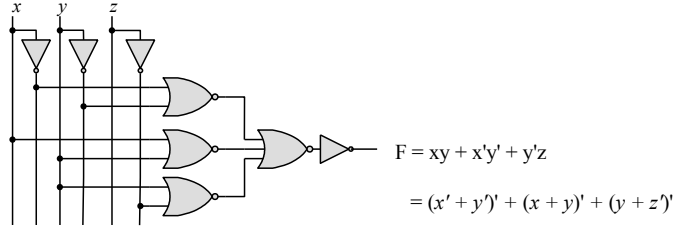
(c)



(d)



(e)



2.15 (a) $T_1 = A'B'C' + A'B'C + A'BC' = A'B'(C' + C) + A'C'(B' + B) = A'B' + A'C' = A'(B' + C')$

(b) $T_2 = T_1' = A'BC + AB'C' + AB'C + ABC' + ABC$
 $= BC(A' + A) + AB'(C' + C) + AB(C' + C)$
 $= BC + AB' + AB = BC + A(B' + B) = A + BC$

$$\Sigma(3, 5, 6, 7) = \Pi(0, 1, 2, 4)$$

$$T_1 = A'B'C' + A'B'C + A'BC'$$

$$\begin{array}{c} \swarrow \quad \searrow \\ A'B' \quad A'C' \\ \swarrow \quad \searrow \\ T_1 = A'B' A'C' = A'(B' + C') \end{array}$$

$$T_1 = A'B' A'C' = A'(B' + C')$$

$$T_2 = A'BC + AB'C' + AB'C + ABC' + ABC$$

$$\begin{array}{c} \swarrow \quad \searrow \\ AC' \quad AC \\ \swarrow \quad \searrow \\ BC \end{array}$$

$$T_2 = AC' + BC + AC = A + BC$$

2.16 (a) $F(A, B, C) = A'B'C' + A'B'C + A'BC' + A'BC + AB'C' + AB'C + ABC' + ABC$
 $= A'(B'C' + B'C + BC' + BC) + A((B'C' + B'C + BC' + BC)$
 $= (A' + A)(B'C' + B'C + BC' + BC) = B'C' + B'C + BC' + BC$
 $= B'(C' + C) + B(C' + C) = B' + B = 1$

(b) $F(x_1, x_2, x_3, \dots, x_n) = \Sigma m_i$ has $2^{n-1}/2$ minterms with x_1 and $2^{n-1}/2$ minterms with x_1' , which can be factored and removed as in (a). The remaining 2^{n-1} product terms will have $2^{n-2}/2$ minterms with x_2 and $2^{n-2}/2$ minterms with x_2' , which can be factored to remove x_2 and x_2' . Continue this process until the last term is left and $x_n + x_n' = 1$. Alternatively, by induction, F can be written as $F = x_n G + x_n' G$ with $G = 1$. So $F = (x_n + x_n')G = 1$.

- 2.17 (a) $F = (b + cd)(c + bd) = bc + bd + cd + bcd = \Sigma(3, 5, 6, 7, 11, 14, 15)$
 $F' = \Sigma(0, 1, 2, 4, 8, 9, 10, 12, 13)$
 $F = \Pi(0, 1, 2, 4, 8, 9, 10, 12, 13)$

a	b	c	d	F
0	0	0	0	0
0	0	0	1	0
0	0	1	0	0
0	0	1	1	1
0	1	0	0	0
0	1	0	1	1
0	1	1	0	1
0	1	1	1	1
1	0	0	0	0
1	0	0	1	0
1	0	1	0	0
1	0	1	1	1
1	1	0	0	0
1	1	0	1	0
1	1	1	0	1
1	1	1	1	1

- (b) $(cd + b'c + bd')(b + d) = bcd + bd' + cd + b'cd = cd + bd'$
 $= \Sigma(3, 4, 7, 11, 12, 14, 15)$
 $= \Pi(0, 1, 2, 5, 6, 8, 9, 10, 13)$

a	b	c	d	F
0	0	0	0	0
0	0	0	1	0
0	0	1	0	0
0	0	1	1	1
0	1	0	0	1
0	1	0	1	0
0	1	1	0	0
0	1	1	1	1
1	0	0	0	0
1	0	0	1	0
1	0	1	0	0
1	0	1	1	1
1	1	0	0	1
1	1	0	1	0
1	1	1	0	1
1	1	1	1	1

- (c) $(c' + d)(b + c') = bc' + c' + bd + c'd = (c' + bd)$
 $= \Sigma(0, 1, 4, 5, 7, 8, 12, 13, 15)$
 $F = \Pi(2, 3, 6, 9, 10, 11, 14)$

(d) $bd' + acd' + ab'c + a'c' = \Sigma(0, 1, 4, 5, 10, 11, 14)$

$$F' = \Sigma(2, 3, 6, 7, 8, 9, 12, 13, 15)$$

$$F = \Pi(0, 2, 3, 6, 7, 8, 12, 13, 15)$$

a	b	c	d	F
0	0	0	0	1
0	0	0	1	1
0	0	1	0	0
0	0	1	1	0
0	1	0	0	1
0	1	0	1	1
0	1	1	0	0
0	1	1	1	0
1	0	0	0	0
1	0	0	1	0
1	0	1	0	1
1	0	1	1	1
1	1	0	0	1
1	1	0	1	0
1	1	1	0	1
1	1	1	1	0

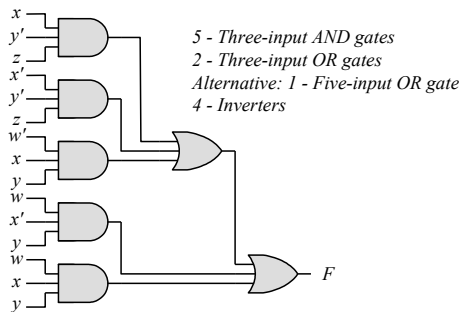
2.18 (a)

wx y z	F
00 0 0	0
00 0 1	1
00 1 0	0
00 1 1	0
01 0 0	0
01 0 1	1
01 1 0	1
01 1 1	1
10 0 0	0
10 0 1	1
10 1 0	1
10 1 1	1
11 0 0	0
11 0 1	1
11 1 0	1
11 1 1	1

$$F = xy'z + x'y'z + w'xy + wx'y + wxy$$

$$F = \Sigma(1, 5, 6, 7, 9, 10, 11, 13, 14, 15)$$

(b)

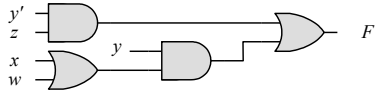


(c)
$$F = xy'z + x'y'z + w'xy + wx'y + wxy = y'z + xy + wy = y'z + y(w + x)$$

(d)
$$F = y'z + yw + yx = \Sigma(1, 5, 9, 13, 10, 11, 13, 15, 6, 7, 14, 15)$$

$$= \Sigma(1, 5, 6, 7, 9, 10, 11, 13, 14, 15)$$

(e)



1 - Inverter, 2 - Two-input AND gates, 2 - Two-input OR gates

2.19 $F = B'D + A'D + BD$

<i>ABCD</i>	<i>ABCD</i>	<i>ABCD</i>
$\neg B \neg D$	$A \neg D$	$\neg B D$
0001 = 1	0001 = 1	0101 = 5
0011 = 3	0011 = 3	0111 = 7
1001 = 9	0101 = 5	1101 = 13
1011 = 11	0111 = 7	1111 = 15

$$F = \Sigma(1, 3, 5, 7, 9, 11, 13, 15) = \Pi(0, 2, 4, 6, 8, 10, 12, 14)$$

2.20 (a) $F(A, B, C, D) = \Sigma(2, 4, 7, 10, 12, 14)$
 $F'(A, B, C, D) = \Sigma(0, 1, 3, 5, 6, 8, 9, 11, 13, 15)$

(b) $F(x, y, z) = \Pi(3, 5, 7)$
 $F' = \Sigma(3, 5, 7)$

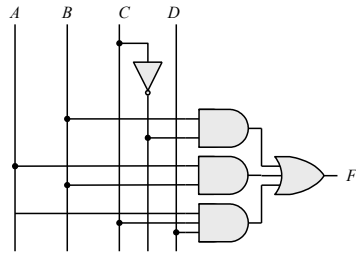
2.21 (a) $F(x, y, z) = \Sigma(1, 3, 5) = \Pi(0, 2, 4, 6, 7)$

(b) $F(A, B, C, D) = \Pi(3, 5, 8, 11) = \Sigma(0, 1, 2, 4, 6, 7, 9, 10, 12, 13, 14, 15)$

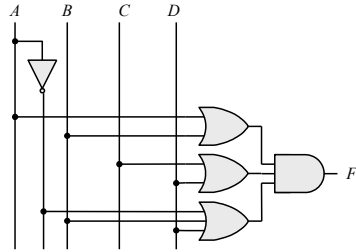
2.22 (a) $(u + xw)(x + u'v) = ux + uu'v + xxw + xwu'v = ux + xw + xwu'v$
 $= ux + xw = x(u + w)$
 $= ux + xw$ (SOP form)
 $= x(u + w)$ (POS form)

(b) $x' + x(x + y')(y + z) = x' + x(xy + xz' + y'y + y'z')$
 $= x' + xy + xz' + xy'z' = x' + xy + xz'$ (SOP form)
 $= (x' + y + z)$ (POS form)

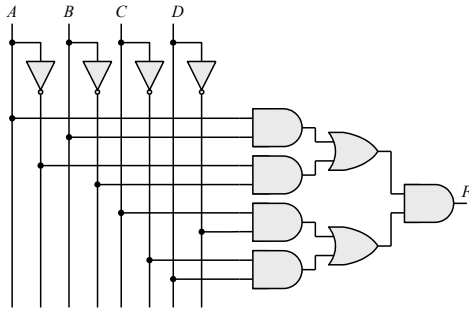
2.23 (a) $B'C + AB + ACD$



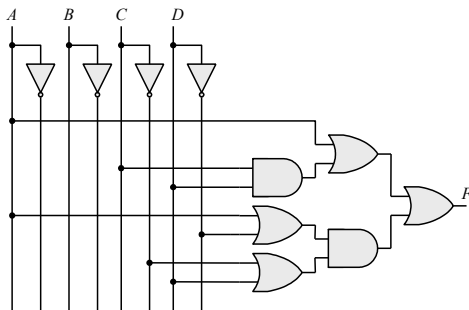
(b) $(A + B)(C + D)(A' + B + D)$



(c) $(AB + A'B')(CD' + C'D)$



(d) $A + CD + (A + D')(C' + D)$



2.24 $x \oplus y = x'y + xy'$ and $(x \oplus y)' = (x + y')(x' + y)$

Dual of $x'y + xy' = (x' + y)(x + y') = (x \oplus y)'$

2.25 (a) $x | y = xy' \neq y | x = x'y$ Not commutative
 $(x | y) | z = xy'z' \neq x | (y | z) = x(yz)' = xy' + xz$ Not associative

(b) $(x \oplus y) = xy' + x'y = y \oplus x = yx' + y'x$ Commutative

$(x \oplus y) \oplus z = \sum(1, 2, 4, 7) = x \oplus (y \oplus z)$ Associative

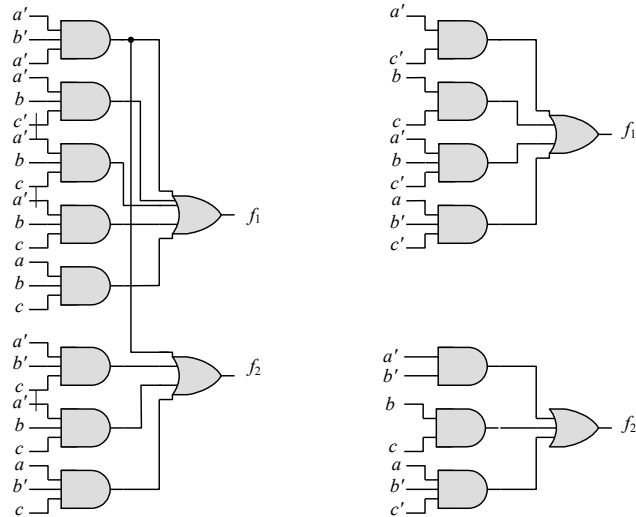
2.26

Gate		NAND (Positive logic)		NOR (Negative logic)	
x	y	x	y	x	y
L	L	0	0	1	1
L	H	0	1	1	0
H	L	1	0	0	1
H	H	1	1	0	0

Gate		NOR (Positive logic)		NAND (Negative logic)	
x	y	x	y	x	y
L	L	0	0	1	1
L	H	0	1	0	1
H	L	1	0	0	1
H	H	1	1	0	0

2.27 $f_1 = a'b'c' + a'bc' + a'bc + ab'c' + abc = a'c' + bc + a'bc' + ab'c'$

$f_2 = a'b'c' + a'b'c + a'bc + ab'c' + abc = a'b' + bc + ab'c'$



2.28 (a) $y = a(bcd)'e = a(b' + c' + d')e$

$$y = a(b' + c' + d')e = ab'e + ac'e + ad'e = \Sigma(17, 19, 21, 23, 25, 27, 29)$$

a bcde	y	a bcde	y
0 0000	0	1 0000	0
0 0001	0	1 0001	1
0 0010	0	1 0010	0
0 0011	0	1 0011	1
0 0100	0	1 0100	0
0 0101	0	1 0101	1
0 0110	0	1 0110	0
0 0111	0	1 0111	1
	0		0
0 1000	0	1 1000	0
0 1001	0	1 1001	1
0 1010	0	1 1010	0
0 1011	0	1 1011	1
0 1100	0	1 1100	0
0 1101	0	1 1101	1
0 1110	0	1 1110	0
0 1111	0	1 1111	0

(b) $y_1 = a \oplus (c + d + e) = a'(c + d + e) + a(c'd'e') = a'c + a'd + a'e + ac'd'e'$

$$y_2 = b'(c + d + e)f = b'cf + b'df + b'ef$$

$$y_1 = a(c + d + e) = a'(c + d + e) + a(c'd'e') = a'c + a'd + a'e + ac'd'e'$$

$$y_2 = b'(c + d + e)f = b'cf + b'df + b'ef$$

$a'-c---$	$a'--d--$	$a'---e-$	$a-c'd'e'-$			
001000 = 8	000100 = 8	000010 = 2	100000 = 32			
001001 = 9	000101 = 9	000011 = 3	100001 = 33			
001010 = 10	000110 = 10	000110 = 6	110000 = 34			
001011 = 11	000111 = 11	000111 = 7	110001 = 35			
001100 = 12	001100 = 12	001010 = 10				
001101 = 13	001101 = 13	001011 = 11				
001110 = 14	001110 = 14	001110 = 14				
001111 = 15	001111 = 15	001111 = 15				
			$-b'c--f$	$-b'-d-f$	$-b'--ef$	
011000 = 24	010100 = 20	010010 = 18	001001 = 9	001001 = 9	000011 = 3	
011001 = 25	010101 = 21	010011 = 19	001011 = 11	001011 = 11	000111 = 7	
011010 = 26	010110 = 22	010110 = 22	001101 = 13	001101 = 13	001011 = 11	
011011 = 27	010111 = 23	010111 = 23	001111 = 15	001111 = 15	001111 = 15	
011100 = 28	011100 = 28	011010 = 26	101001 = 41	101001 = 41	100011 = 35	
011101 = 29	011101 = 29	011001 = 27	101011 = 43	101011 = 43	100111 = 39	
011110 = 30	011110 = 30	011110 = 30	101101 = 45	101101 = 45	101011 = 51	
011111 = 31	011111 = 31	011111 = 31	101111 = 47	101111 = 47	101111 = 55	

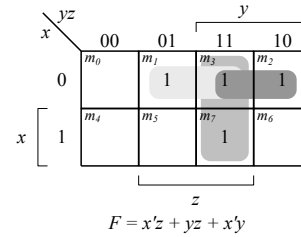
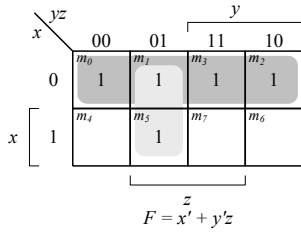
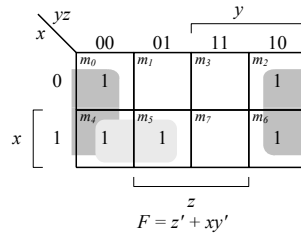
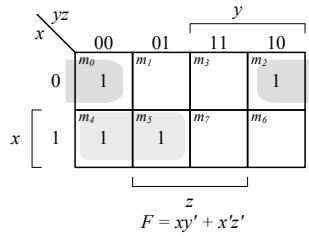
$$y_1 = \Sigma (2, 3, 6, 7, 8, 9, 10, 11, 12, 13, 14, 15, 18, 19, 22, 23, 24, 25, 26, 27, 28, 29, 30, 31, 32, 33, 34, 35)$$

$$y_2 = \Sigma (3, 7, 9, 13, 15, 35, 39, 41, 43, 45, 47, 51, 55)$$

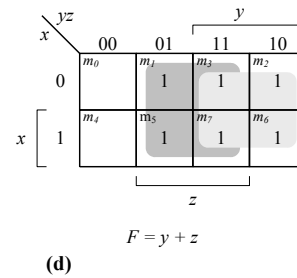
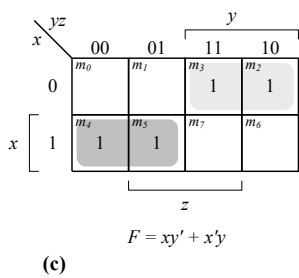
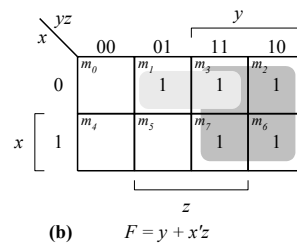
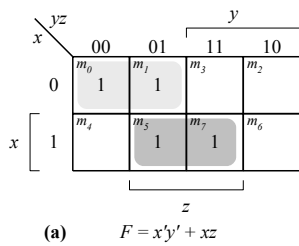
<i>ab cdef</i>	$y_1 y_2$	<i>ab cdef</i>	$y_1 y_2$	<i>ab cdef</i>	$y_1 y_2$	<i>ab cdef</i>	$y_1 y_2$
00 0000	0 0	01 0000	0 0	10 0000	1 0	11 0000	0 0
00 0001	0 0	01 0001	0 0	10 0001	1 0	11 0001	0 0
00 0010	1 0	01 0010	1 0	10 0010	1 0	11 0010	0 0
00 0011	1 1	01 0011	1 0	10 0011	1 1	11 0011	0 1
00 0100	0 0	01 0100	0 0	10 0100	0 0	11 0100	0 0
00 0101	0 0	01 0101	0 0	10 0101	0 0	11 0101	0 0
00 0110	1 0	01 0110	1 0	10 0110	0 0	11 0110	0 0
00 0111	1 1	01 0111	1 0	10 0111	0 1	11 0111	0 1
00 1000	1 0	01 1000	1 0	10 1000	0 0	11 1000	0 0
00 1001	1 1	01 1001	1 0	10 1001	0 1	11 1001	0 0
00 1010	1 0	01 1010	1 0	10 1010	0 0	11 1010	0 0
00 1011	1 0	01 1011	1 0	10 1011	0 1	11 1011	0 0
00 1100	1 0	01 1100	1 0	10 1100	0 0	11 1100	0 0
00 1101	1 1	01 1101	1 0	10 1101	0 1	11 1101	0 0
00 1110	1 0	01 1110	1 0	10 1110	0 0	11 1110	0 0
00 1111	1 1	01 1111	1 0	10 1111	0 1	11 1111	0 0

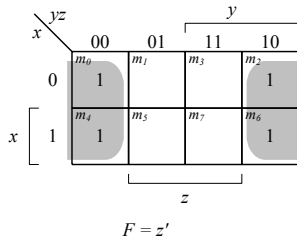
Chapter 3

3.1

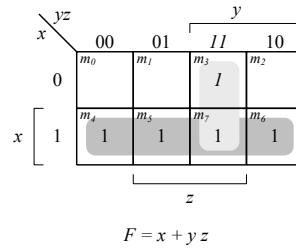


3.2



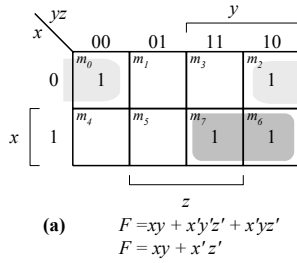


(e)



(f)

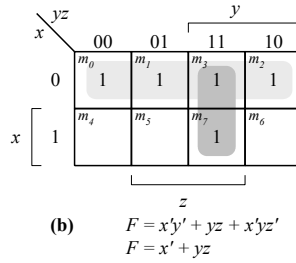
3.3



(a)

$$F = xy + x'y'z' + x'yz'$$

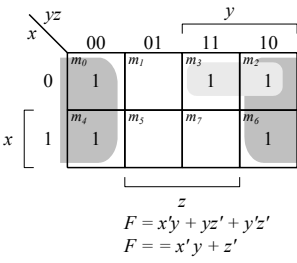
$$F = xy + x'z'$$



(b)

$$F = x'y' + yz + x'yz'$$

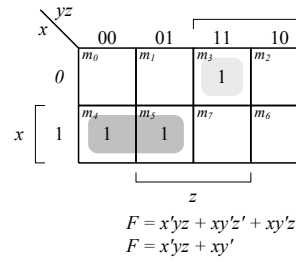
$$F = x' + yz$$



(c)

$$F = x'y + yz' + y'z'$$

$$F = x'y + z'$$

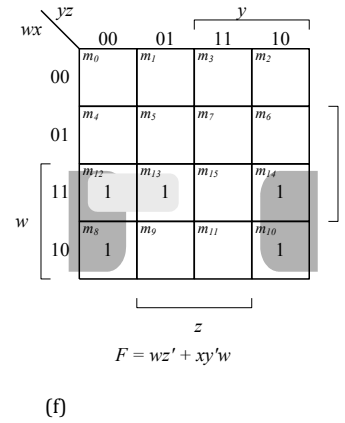
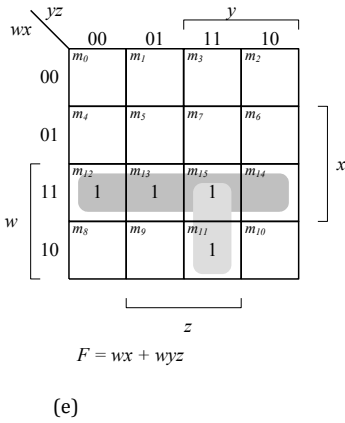
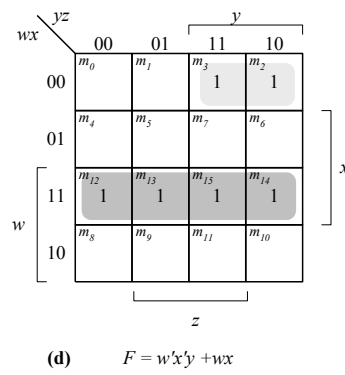
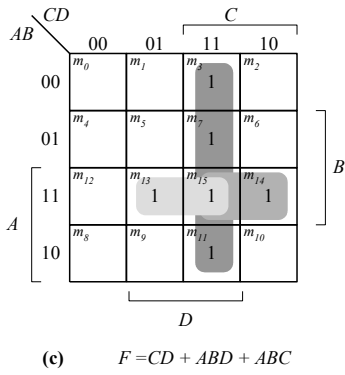
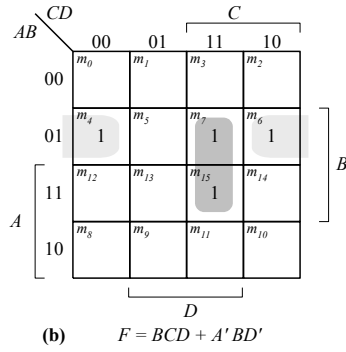
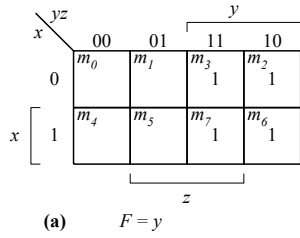


(d)

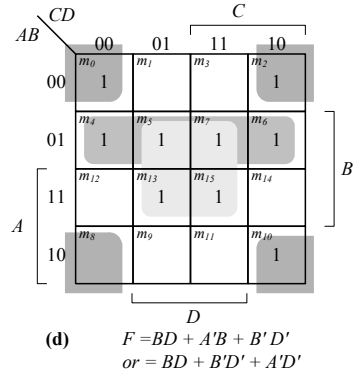
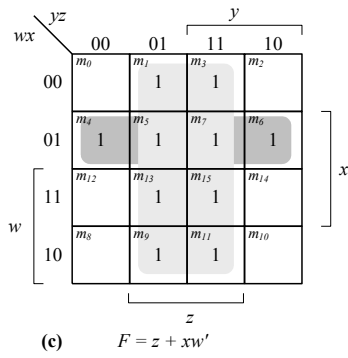
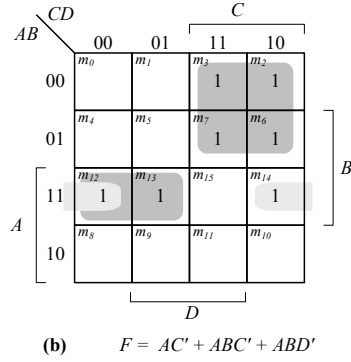
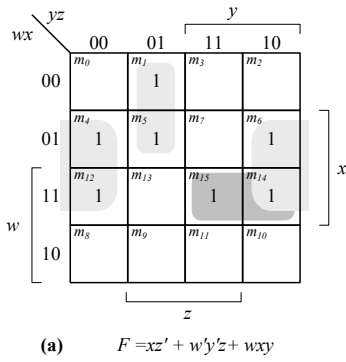
$$F = x'yz + xy'z' + xy'z$$

$$F = x'yz + xy'$$

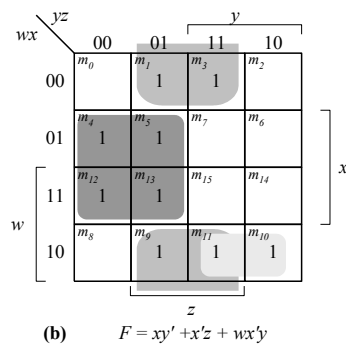
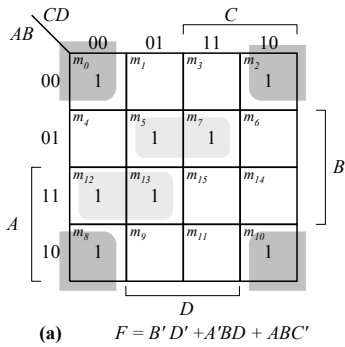
3.4

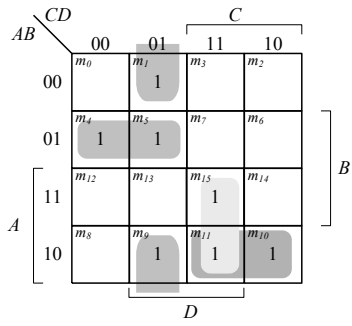


3.5

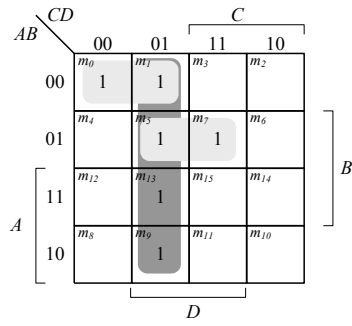


3.6



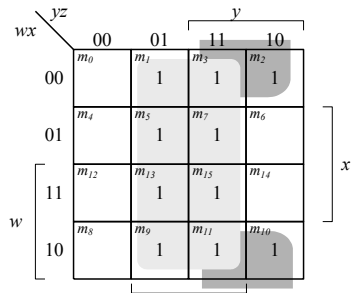


(c) $F = A'BC' + B'C'D + ACD + AB'C$

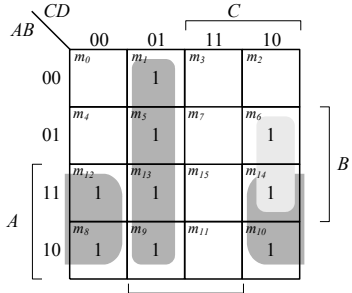


(d) $F = C'D + A'BD + A'BC'$

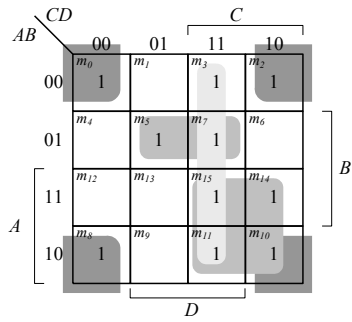
3.7



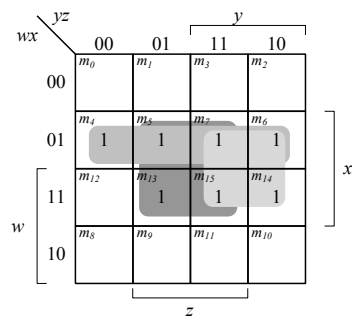
(a) $F = z + x'y$



(b) $F = AD' + C'D + BCD'$



(c) $F = B'D' + AC + A'BD + CD$ (or $B'C$)



(d) $F = xw' + xz + xy$

3.8

(a) $F(x, y, z) = \Sigma(3, 5, 6, 7)$

		yz		y	
		00	01	11	10
x	0	m_0	m_1	m_3 1	m_2
	1	m_4	m_5 1	m_7 1	m_6 1
		z			

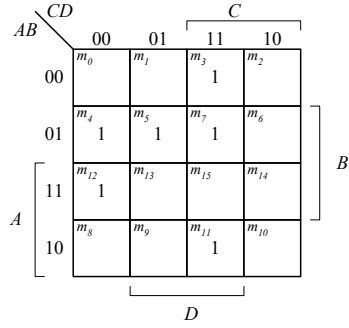
(b) $F = \Sigma(1, 3, 5, 9, 12, 13, 14)$

		CD		C	
		00	01	11	10
AB	00	m_0	m_1 1	m_2 1	m_3
	01	m_4	m_5 1	m_7	m_6
A	11	m_{12} 1	m_{13} 1	m_{15}	m_{14} 1
	10	m_8	m_9 1	m_{11}	m_{10}
		D			

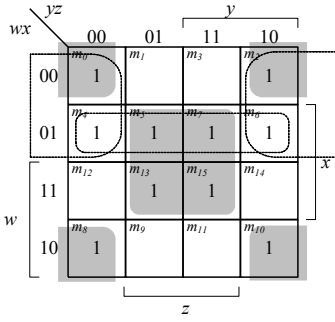
(c) $F = \Sigma(0, 1, 2, 3, 11, 12, 14, 15)$

		y		y	
		00	01	11	10
wx	00	m_0 1	m_1 1	m_3 1	m_2 1
	01	m_4	m_5	m_7	m_6
w	11	m_{12} 1	m_{13}	m_{15} 1	m_{14} 1
	10	m_8	m_9	m_{11} 1	m_{10}
		z			

(d) $F = \Sigma(3, 4, 5, 7, 11, 12)$

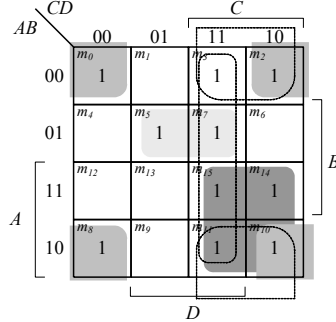


3.9



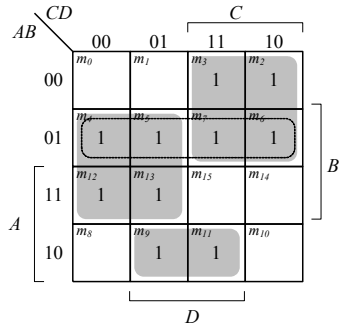
(a)

Essential: $xz, x'z'$
Non-essential: $w'x, w'z'$
 $F = xz + x'z' + (w'x \text{ or } w'z')$

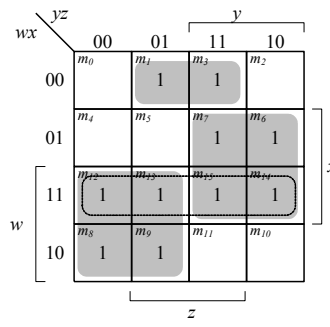


(b)

Essential: $B'D', AC, A'BD$
Non-essential: $CD, B'C$
 $F = B'D' + AC + A'BD + (CD \text{ OR } B'C)$

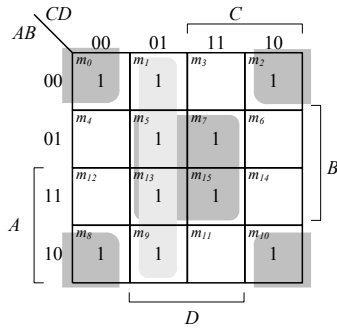


(c)

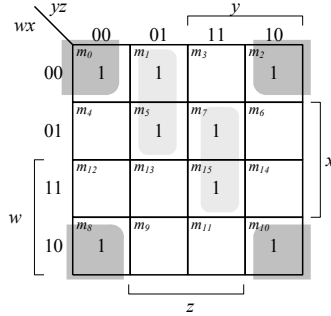


(d)

Essential: $BC', AC, A'B'D$
Non-Essential: $A'B$
 $F = BC' + AC + A'B'D$



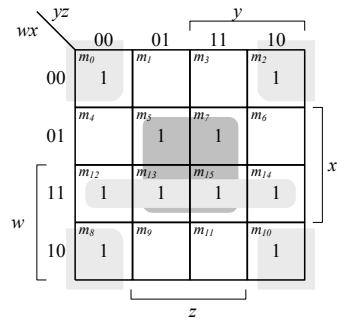
Essential: $wy', xy, w'x'z$
 $F = wy' + xy + w'x'z$



Essential: $BD, B'C', C'D$
 $F = BD + B'C' + C'D$

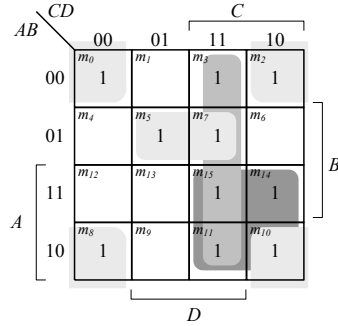
Essential: $x'z', w'y'z, xyz$
 $F = x'z' + w'y'z + xyz$

3.10



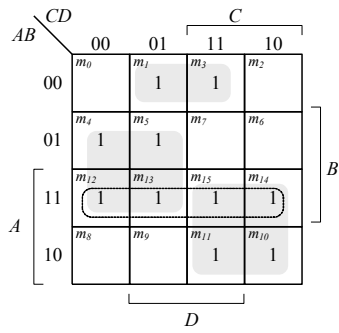
$F = \Sigma(0, 2, 5, 7, 8, 10, 12, 13, 14, 15)$
Essential: $xz, wx, x'z'$
 $F = xz + wx + x'z'$

(a)



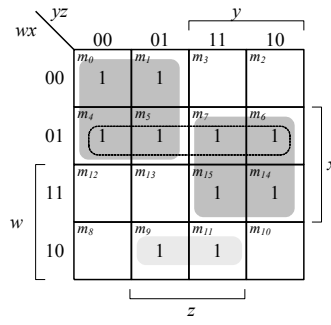
$F = \Sigma(0, 2, 3, 5, 7, 8, 10, 11, 14, 15)$
Essential: $AC, B'D', CD, A'BD$
 $F = AC + B'D' + CD + A'BD$

(b)



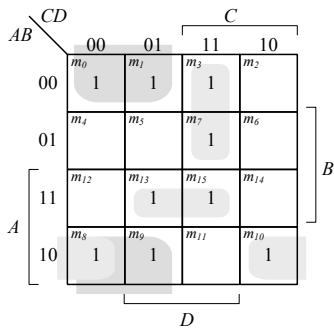
$F = \Sigma(1, 3, 4, 5, 10, 11, 12, 13, 14, 15)$
Essential: AC, BC', A'B'D
Non-essential: AB, A'B'D, B'CD, A'C'D
 $F = AC + BC' + A'B'D$

(c)



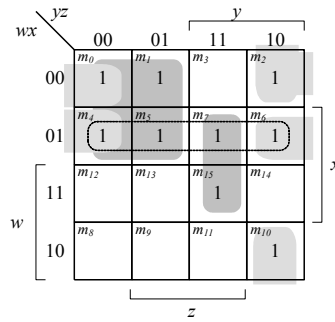
$F = \Sigma(0, 1, 4, 5, 6, 7, 9, 11, 14, 15)$
Essential: w'y', xy, wx'z
Non-essential: wx, x'y'z, w'wz, w'x'z
 $F = w'y' + xy + wx'z$

(d)



$F(A, B, C, D) = S(0, 1, 3, 7, 8, 9, 10, 13, 15)$
Essential: B'C', AB'D'
Non-essential: ABD, A'CD, BCD
 $F = B'C' + AB'D' + A'CD + ABD$

(e)



$F = S(0, 1, 2, 4, 5, 6, 7, 10, 15)$
Essential: w'y', w'z', xyz, x'yz'
Non-Essential: w'x
 $F = w'y' + w'z' + xyz + x'yz'$

(f)

3.11 (a) $F(w, x, y, z) = \sum (0, 1, 2, 5, 8, 10, 13)$

		yz		y		
	wx	00	01	11	10	
	00	m_0 1	m_1 1	m_3 1	m_2 1	x
	01	m_4	m_5 1	m_7	m_6	
w	11	m_{12}	m_{13} 1	m_{15}	m_{14}	
	10	m_8 1	m_9	m_{11}	m_{10} 1	
		z				

$$F = x'z' + w'x'y' + xy'z$$

		yz		y		
	wx	00	01	11	10	
	00	m_0	m_1	m_3 1	m_2	x
	01	m_4 1	m_5	m_7 1	m_6 1	
w	11	m_{12} 1	m_{13}	m_{15} 1	m_{14} 1	
	10	m_8	m_9 1	m_{11} 1	m_{10}	
		z				

$$F' = yz + xy + xz' + wx'z$$

$$F = (y' + z')(x' + y')(x' + z)(w' + x + z')$$

3.12

(a)

$$F = \Pi(1, 3, 5, 7, 13, 15)$$

$$F' = A'D + B'D$$

$$F = (A + D)(B' + D')$$

$$F = C'D' + AB' + CD'$$

		CD			
		00	01	C	
A	00	m_0	m_1	m_3	m_2
	01	m_4	0	0	m_6
	11	m_{12}	m_{13}	m_{15}	m_{14}
	10	m_8	m_9	m_{11}	m_{10}
		D			

(b)

$$F = \Pi(1, 3, 6, 9, 11, 12, 14)$$

$$F' = B'D + BCD' + ABD'$$

$$F = (B + D)(B' + C' + D)(A' + B' + D)$$

$$F = BD + B'D' + A'C'D'$$

		CD			
		00	01	C	
A	00	m_0	0	0	m_2
	01	m_4	m_5	m_7	m_6
	11	m_{12}	m_{13}	m_{15}	m_{14}
	10	m_8	m_9	m_{11}	m_{10}
		D			

3.13 (a) $F = x'z' + y'z' + yz' + xy = x'z' + z' + xy = z' + xy$

		yz		y	
		00	01	11	10
x	0	m_0 1	m_1	m_3	m_2 1
	1	m_4 1	m_5	m_7 1	m_6 1
		z			

$$F' = x'z' + y'z'$$

$$F = (x + z')(y + z')$$

(b) $F = ACD' + C'D + AB' + ABCD$

		CD		C	
		00	01	11	10
AB	00	m_0	m_1 1	m_3	m_2
	01	m_4	m_5 1	m_7	m_6
	11	m_{12}	m_{13} 1	m_{15} 1	m_{14} 1
	10	m_8 1	m_9 1	m_{11} 1	m_{10} 1
		D			

$$F = AC + AB' + C'D$$

$$F' = A'C + A'D' + BC'D'$$

$$F = (A + C')(A + D)(B' + C + D)$$

(c)

$$F = (A' + B + D)(A' + B' + C)(A' + B' + C)(B' + C + D)$$

$$F' = AB'D + ABC + ABC' + BC'D$$

		CD						
		00	01	C		11	10	
A	AB	00	m_0	m_1	0	m_3	0	m_2
		01	m_4	m_5	0	m_7		m_6
	11	m_{12}	m_{13}	0	m_{15}	0	m_{14}	
	10	m_8	m_9	m_{11}	m_{10}			
		D				B		

$$F' = AB + BC'D$$

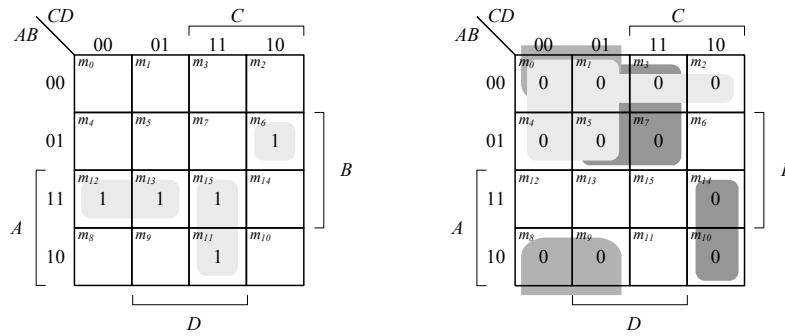
$$F = (A' + B')(B' + C + D)$$

$$F = A'D' + A'BC + AB'$$

		CD								
		00	01	C		11	10			
A	AB	00	m_0	1	m_1	0	m_3	0	m_2	1
		01	m_4	1	m_5	0	m_7	1	m_6	1
	11	m_{12}	0	m_{13}	0	m_{15}	0	m_{14}	0	
	10	m_8	1	m_9	1	m_{11}	1	m_{10}	1	
		D				B				

(d)

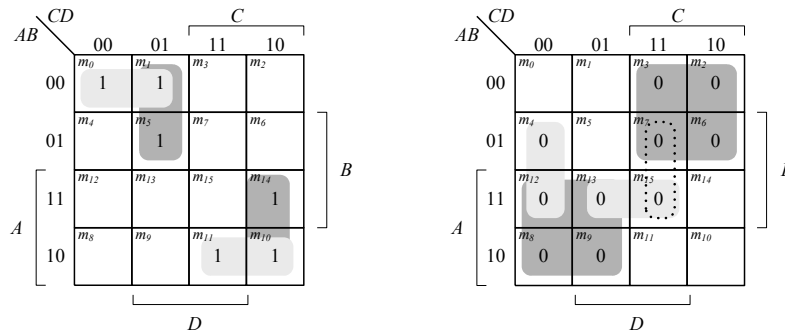
$$F = BCD' + ABC' + ACD$$



$$F' = A'C' + A'D + B'C' + A'B' + ACD'$$

$$F = (A + C)(A + D')(B + C)(A + B)(A' + C' + D)$$

3.14

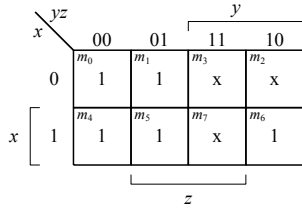


SOP form (using 1s): $F = A'BC'D + AB'CD + A'B'C' + ACD'$
 $F = A'B'C' + A'C'D + AB'C + ACD'$

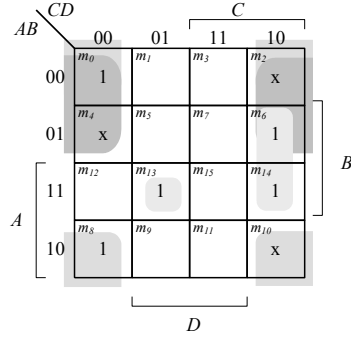
POS form (using 0s): $F' = AC' + A'C + A'C'D' + ABD$
 $F = (A' + C)(A + C')(A + C + D)(A' + B' + D')$

Alternative POS: $F' = AC' + A'C + A'C'D' + BCD$
 $F = (A' + C)(A + C')(A + C + D)(B' + C' + D')$

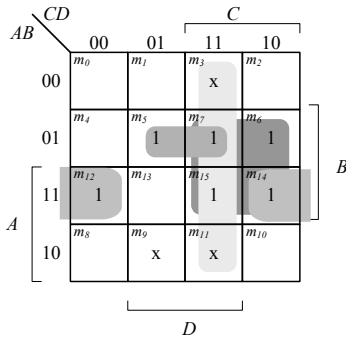
3.15



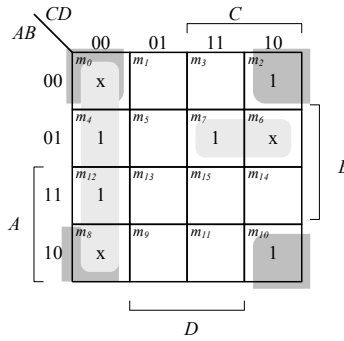
$F = 1$
 $F = \Sigma(0,1, 2, 3, 4, 5, 6, 7)$



$F = A'D' + B'D' + BCD' + ABC'D$
 $F = \Sigma(0, 2, 4, 6, 8, 10, 13, 14)$

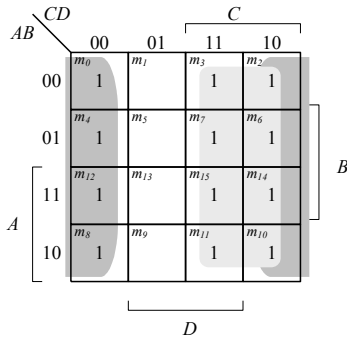


$F = BC + CD + ABD' + A'BD$
 $F = \Sigma(3, 5, 6, 7, 11, 12, 14, 15)$

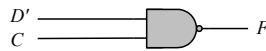


$F = B'D' + C'D' + A'BC$
 $F = \Sigma(0, 2, 4, 6, 7, 8, 10, 12)$

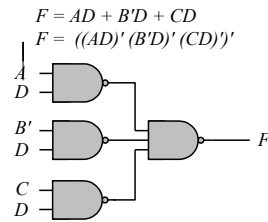
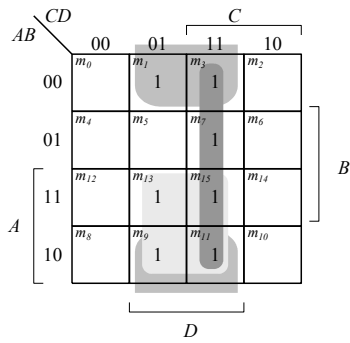
3.16 (a)



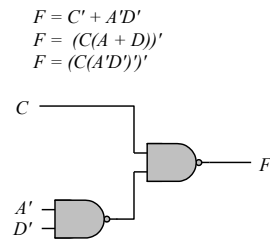
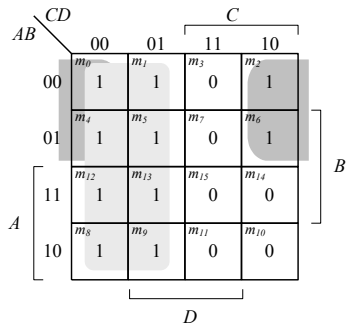
$F = C + D'$
 $F = (C'D)'$



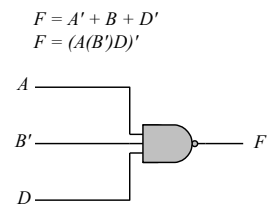
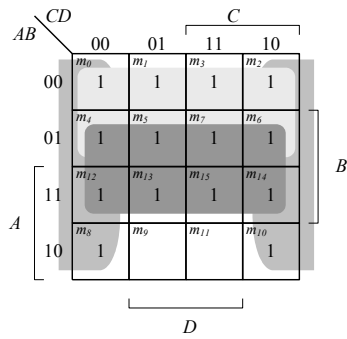
(b)



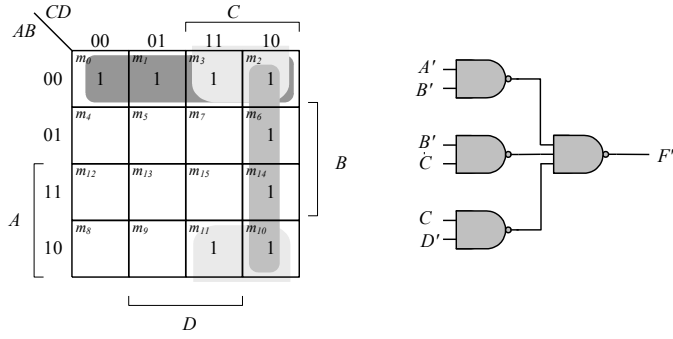
(c) $F = (A' + C' + D')(A' + C')(C' + D')$
 $F' = (A' + C' + D)' + (A' + C) + (C' + D)'$
 $F' = ACD + AC + CD$



(d)



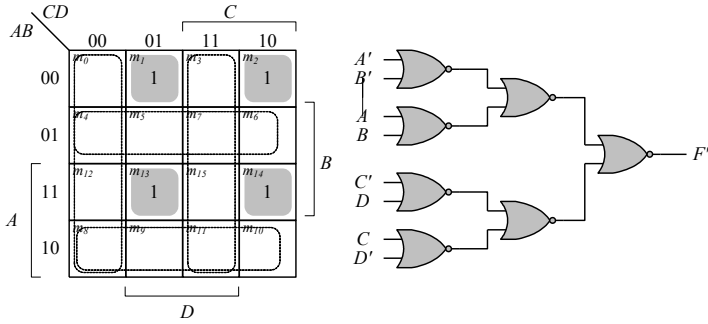
3.17



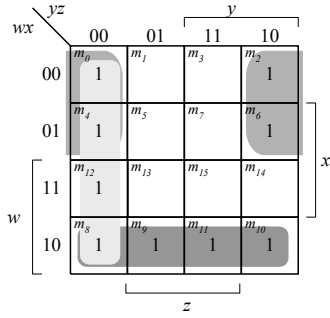
$$\begin{aligned}
 F &= A'B' + B'C + CD' \\
 F &= ((A + B)(B + C')(C' + D))' \\
 F &= (A'B')(B'C)(CD')' \\
 F' &= (A'B')(B'C)(CD')'
 \end{aligned}$$

3.18

$$\begin{aligned}
 F &= (A \oplus B)'(C \oplus D) = (AB' + A'B)'(CD' + C'D) \\
 &= (AB + A'B')(CD' + C'D) = ABCD' + ABC'D + A'B'CD' + A'BC'D \\
 F' &= (AB + A'B)' + (CD' + C'D)' \\
 F' &= ((A' + B')' + (A + B)')' + ((C' + D)' + (C + D)')'
 \end{aligned}$$



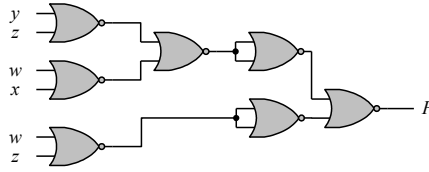
3.19 (a) $F = (w + z')(x' + z')(w' + x' + y')$



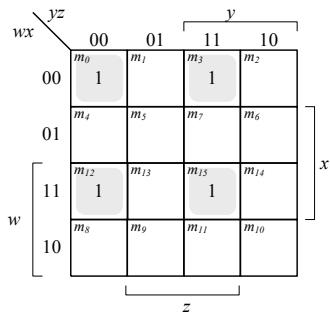
$$F = y'z' + wx' + w'z'$$

$$F = [(y + z)' + (w' + x)' + (w + z)']$$

$$F' = [(y + z)' + (w' + x)' + (w + z)']'$$



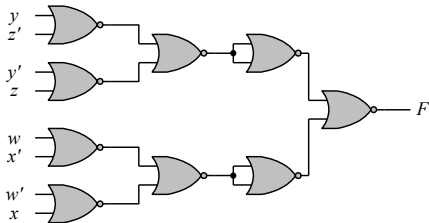
(b)



$$F' = \Sigma(0, 3, 12, 15)$$

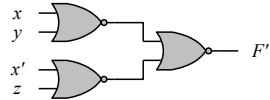
$$F' = y'z' + yz' + w'x + wx' = [(y + z')(w + x')(w + x')(w' + x)']$$

$$F' = (y + z)' + (y' + z)' + (w + x)' + (w' + x)'$$



(c) $F = [(x + y)(x' + z)]' = (x + y)' + (x' + z)'$

$$F' = [(x + y)' + (x' + z)']'$$



3.20

Multi-level NOR:

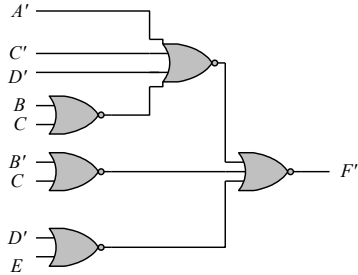
$$F = ACD(B + C) + (BC' + DE')$$

$$F' = [ACD(B + C) + (BC' + DE')]'$$

$$F' = [(A' + C' + D')(B + C) + (B' + C)' + (D' + E)]'$$

$$F' = [((A' + C' + D') + (B + C)')' + (B' + C)' + (D' + E)]'$$

$$F' = [(A' + C' + D' + (B + C)')' + (B' + C)' + (D' + E)]'$$



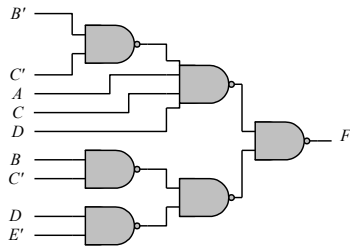
Multi-level NAND:

$$F = CD(B + C)A + (BC' + DE')$$

$$F' = [CD(B + C)A]' [BC' + DE']'$$

$$F' = [CD(B'C)'A]' [BC' + DE']'$$

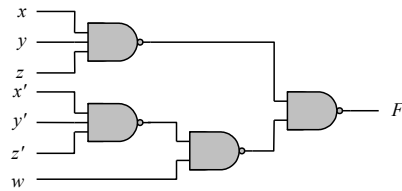
$$F' = [CD(B'C)'A]' [(BC)' (DE)']'$$



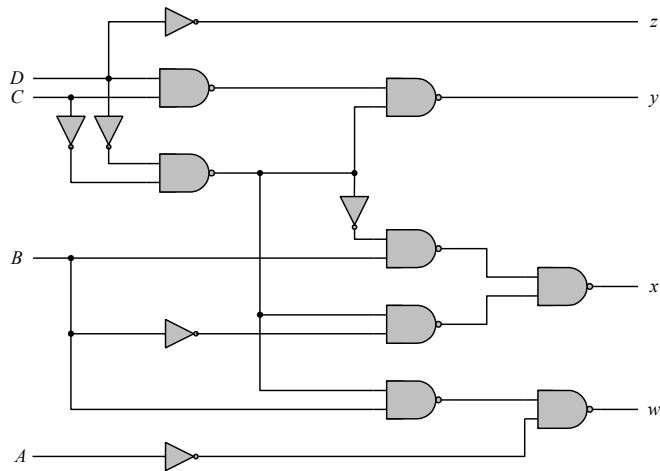
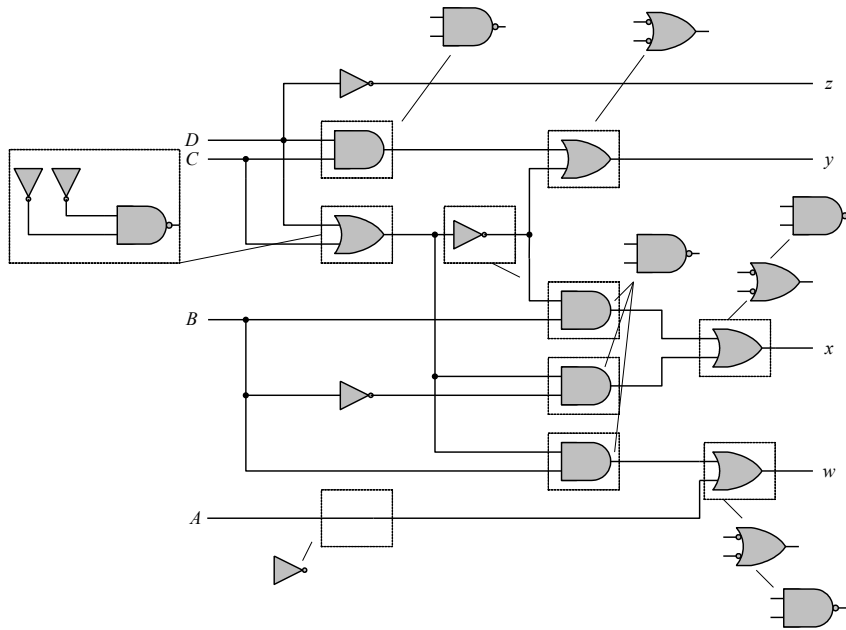
3.21

$$F = w(x + y + z) + xyz$$

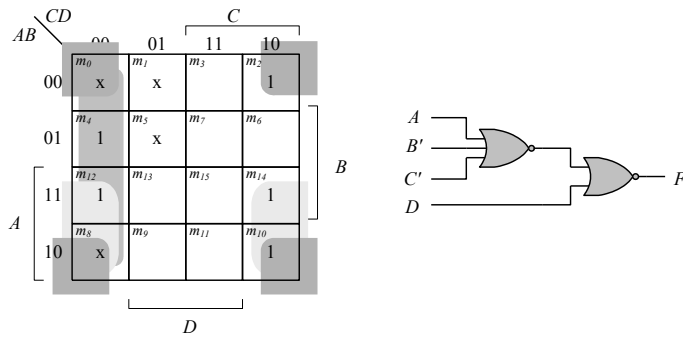
$$F' = [w(x + y + z)][xyz]' = [w(x'y'z')]'(xyz)'$$



3.22

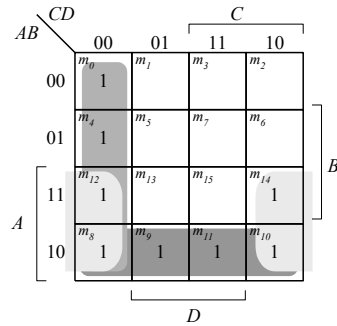


3.23

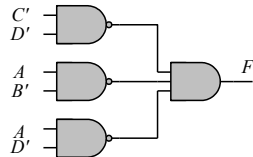


3.24

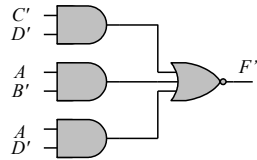
$F(A, B, C, D) = S(0, 4, 8, 9, 10, 11, 12, 14)$



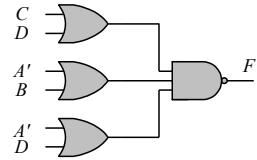
(a) $F = C'D' + AB' + AD'$
 $F' = (C'D) (AB) (AD)$
 AND-NAND:



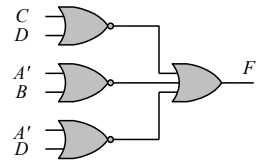
(b) $F' = [C'D' + AB' + AD']'$
 AND-NOR:



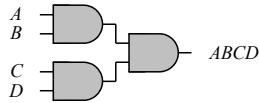
(e) $F = C'D' + AB' + AD' = (C + D)' + (A' + B)' + (A' + D)'$
 $F' = (C'D')(AB')(AD)' = (C + D)(A' + B)(A' + D)$
 $F = [(C + D)(A' + B)(A' + D)]'$
 OR-NAND:



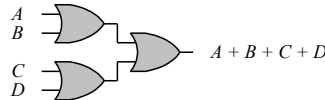
(d) $F = C'D' + AB' + AD' = (C + D)' + (A' + B)' + (A' + D)'$
 NOR-OR:



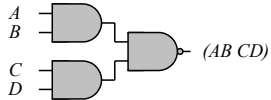
3.25



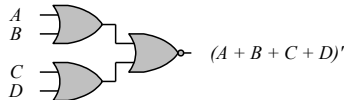
AND-AND → AND



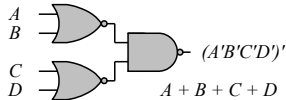
OR-OR → OR



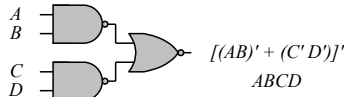
AND-NAND → NAND



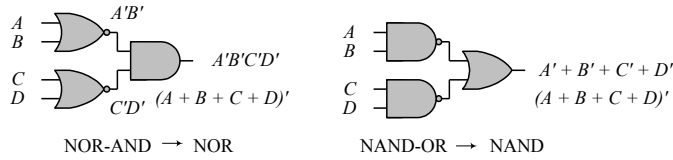
OR-NOR → NOR



NOR-NAND → OR

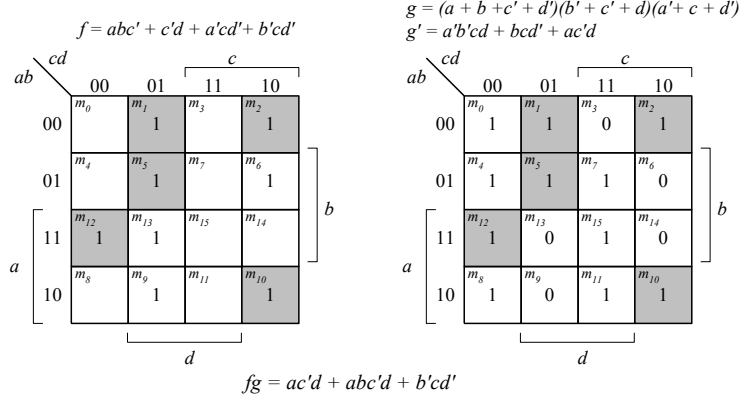


NAND-NOR → AND



The degenerate forms use 2-input gates to implement the functionality of 4-input gates.

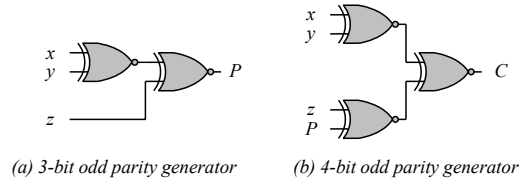
3.26



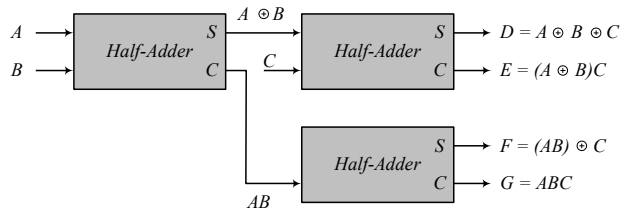
3.27

$x \oplus y = x'y + xy'$; Dual = $(x' + y)(x + y)' = (x \oplus y)'$

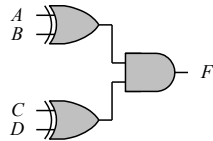
3.28



- 3.29 $D = A \oplus B \oplus C$
 $E = A'BC + AB'C = (A \oplus B)C$
 $F = ABC' + (A' + B')C = ABC' + (AB)'C = (AB) \oplus C$
 $G = ABC$



- 3.30 $F = AB'CD' + A'BCD' + AB'C'D + A'BC'D$
 $F = (A \oplus B)CD' + (A \oplus B)C'D = (A \oplus B)(C \oplus D)$



- 3.31 Note: It is assumed that a complemented input is generated by another circuit that is not part of the circuit that is to be described.

- (a) **module** Fig_3_20a_gates (F, A, B, C, C_bar, D);
output F;
input A, B, C, C_bar, D;
wire w1, w2, w3, w4;
and (w1, C, D);
or (w2, w1, B);
and (w3, w2, A);
and (w4, B, C_bar);
or (F, w3, w4);
endmodule
- (b) **module** Fig_3_20b_gates (F, A, B, B_bar, C, C_bar, D);
output F;
input A, B, B_bar, C, C_bar, D;
wire w1, w2, w3, w4;
not (w1_bar, w1);
not (w3_bar, w3);
not (w4_bar, w4);
nand (w1, C, D);
or (w2, w1_bar, B);
nand (w3, w2, A);
nand (w4, B, C_bar);
or (F, w3_bar, w4_bar);
endmodule

- (c) **module** Fig_3_21a_gates (F, A, A_bar, B, B_bar, C, D_bar);
output F;
input A, A_bar, B, B_bar, C, D_bar;
wire w1, w2, w3, w4;
and (w1, A, B_bar);
and (w2, A_bar, B);
or (w3, w1, w2);
or (w4, C, D_bar);
and (F, w3, w4);
endmodule
- (d) **module** Fig_3_21b_gates (F, A, A_bar, B, B_bar, C_bar, D);
output F;
input A, A_bar, B, B_bar, C_bar, D;
wire w1, w2, w3, w4, F_bar;
nand (w1, A, B_bar);
nand (w2, A_bar, B);
not (w1_bar, w1);
not (w2_bar, w2);
or (w3, w1_bar, w2_bar);
or (w4, w5, w6);
not (w5, C_bar);
not (w6, D);
nand (F_bar, w3, w4);
not (F, F_bar);
endmodule
- (e) **module** Fig_3_24_gates (F, A, A_bar, B, B_bar, C, D_bar);
output F;
input A, A_bar, B, B_bar, C, D_bar
wire w1, w2, w3, w4, w5, w6, w7, w8, w7_bar, w8_bar;
not (w1_bar, w1);
not (w2_bar, w2);
not (w3, E_bar);
nor (w1, A, B);
nor (w2, C, D);
and (F, w1_bar, w2_bar, w3);
endmodule
- (f) **module** Fig_3_25_gates (F, A, A_bar, B, B_bar, C, D_bar);
output F;
input A, A_bar, B, B_bar, C, D_bar;
wire w1, w1_bar, w2, w2_bar;
wire w3, w4, w5, w6, w7, w8;
not (w1, A_bar);
not (w2, B);
not (w3, A);
not (w4, B_bar);
and (w5, w1_bar, w2_bar));
and (w6, w3, w4);
nor (w7, w5, w6);
nor (w8, c, d_bar);
and (F, w7, w8);
endmodule

3.32

Note: It is assumed that a complemented input is generated by another circuit that is not part of the circuit that is to be described.

Note: Because the signals here are all scalar-valued, the logical operators (!, &&, and ||) are equivalent to the bitwise operators (~, &, |). If the operands are vectors the bitwise operators produce a vector result; the logical operators would produce a scalar result (true or false).

- ```
(a) module Fig_3_20a_CA (F, A, B, C, C_bar, D);
 output F;
 input A, B, C, C_bar, D;
 wire w1, w2, w3, w4;
 assign w1 = C && D;
 assign w2 = w1 || B;
 assign w3 = !(w2 && A);
 assign w4 = !w3;
 assign w5 = !(B && C_bar);
 assign w5_bar = !w5;
 assign F = w4 || w5_bar;
endmodule

(b) module Fig_3_20b_CA (F, A, B, C, C_bar, D);
 output F;
 input A, B, B_bar, C, C_bar, D;
 wire w2 = !w1;
 wire w3 = !B_bar;
 wire w4, w5, w5_bar, w6, w6_bar;
 assign w1 = !(C && D);
 assign w4 = w2 || w3;
 assign w5 = !(w4 && A);
 assign w5_bar = !w5;
 assign w6 = !B && C_bar;
 assign w6_bar = !w6;
 assign F = w5_bar || w6_bar;
endmodule

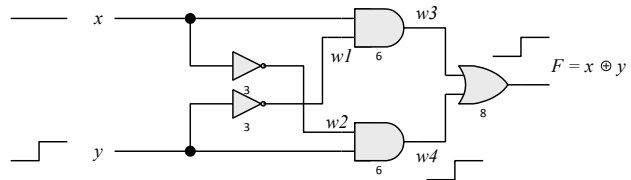
(c) module Fig_3_21a_CA (F, A, A_bar, B, B_bar, C, D_bar);
 output F;
 input A, A_bar, B, B_bar, C, D_bar;
 wire w1, w2, w3, w4;
 assign w1 = A && B_bar;
 assign w2 = A_bar && B;
 assign w3 = w1 || w2;
 assign w4 = C || D_bar;
 assign F = w3 || w4;
endmodule

(d) module Fig_3_21b_CA (F, A, A_bar, B, B_bar, C_bar, D);
 output F;
 input A, A_bar, B, B_bar, C_bar, D;
 wire w1, w2, w1_bar, w2_bar, w3, w4, w5, w6, F_bar;
 assign w1 = !(A && B_bar);
 assign w2 = !(A_bar && B);
 assign w1_bar = !w1;
 assign w2_bar = !w2;
 assign w3 = w1_bar || w2_bar;
 assign w4 = !C_bar;
 assign w5 = !D;
 assign w6 = w4 || w5;
 assign F_bar = !(w3 && w6);
 assign F = !F_bar;
endmodule
```

- (e) **module** Fig\_3\_24\_CA (F, A, B, C, D, E\_bar);  
**output** F;  
**input** A, B, C, D, E\_bar;  
**wire** w1, w2, w1\_bar, w2\_bar, w3\_bar;  
**assign** w1 = !(A || B);  
**assign** w1\_bar = !w1;  
**assign** w2 = !(C || D);  
**assign** w2\_bar = !w2;  
**assign** w3 = !E\_bar;  
**assign** F = w1\_bar && w2\_bar && w3;  
**endmodule**
- (f) **module** Fig\_3\_25\_CA (F, A, A\_bar, B, B\_bar, C, D\_bar);  
**output** F;  
**input** A, A\_bar, B, B\_bar, C, D\_bar;  
**wire** w1, w2, w3, w4, w5, w6, w7, w8, w9, w10;  
**assign** w1 = !A\_bar;  
**assign** w2 = !B;  
**assign** w3 = w1 && w2;  
**assign** w4 = !A;  
**assign** w5 = !B\_bar;  
**assign** w6 = w4 && w5;  
**assign** w7 = !(C || D\_bar);  
**assign** w8 = !(w3 || w6);  
**assign** w9 = !w8;  
**assign** w10 = !w7;  
**assign** F = w9 && w10;  
**endmodule**

3.33

- (a) Initially, with  $xy = 00$ ,  $w1 = w2 = 1$ ,  $w3 = w4 = 0$  and  $F = 0$ .  $w1$  should change to 0 3ns after  $xy$  changes to 01.  $w4$  should change to 1 6ns after  $xy$  changes to 01.  $F$  should change from 0 to 1 8ns after  $w4$  changes from 0 to 1, i.e., 14 ns after  $xy$  changes from 00 to 01.



```

(b)
`timescale 1ns/1ps

module Prob_3_33 (F, x, y);
 wire w1, w2, w3, w4;

 and #6 (w3, x, w1);
 not #3 (w1, x);
 and #6 (w4, y, w1);
 not #3 (w2, y);
 or #8 (F, w3, w4);

endmodule

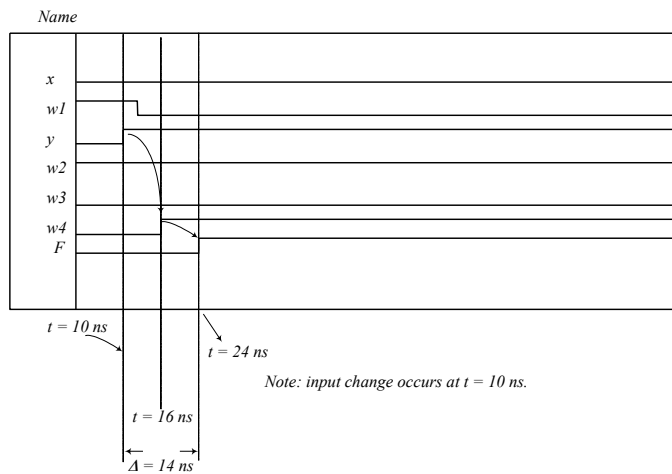
module t_Prob_3_33 ();
 reg x, y;
 wire F;

 Prob_3_33 M0 (F, x, y);

 initial #200 $finish;
 initial fork
 x = 0;
 y = 0;
 #20 y = 1;
 join
endmodule

```

(c) To simulate the circuit, it is assumed that the inputs  $xy = 00$  have been applied sufficiently long for the circuit to be stable before  $xy = 01$  is applied. The testbench sets  $xy = 00$  at  $t = 0$  ns, and  $xy = 1$  at  $t = 10$  ns. The simulator assumes that  $xy = 00$  has been applied long enough for the circuit to be in a stable state at  $t = 0$  ns, and shows  $F = 0$  as the value of the output at  $t = 0$ . For illustration, the waveforms show the response to  $xy = 01$  applied at  $t = 10$  ns.



```

3.34 module Prob_3_34 (Out_1, Out_2, Out_3, A, B, C, D);
 output Out_1, Out_2, Out_3;
 input A, B, C, D;
 wire A_bar, B_bar, C_bar, D_bar;
 assign A_bar = !A;
 assign B_bar = !B;
 assign C_bar = !C;
 assign D_bar = !D;
 assign Out_1 = (A + B_bar) && C_bar && (C || D);
 assign Out_2 = ((C_bar && D) || (B && C && D) || (C && D_bar)) && (A_bar || B);
 assign Out_3 = (((A && B) || C) && D) || (B_bar && C);
 endmodule

3.35 module Exmpl-3(A, B, C, D, F) // Line 1
 inputs A, B, C, Output D, F, // Line 2
 output B // Line 3
 and g1(A, B, B); // Line 4
 not (D, B, A), // Line 5
 OR (F, B, C); // Line 6
 endofmodule; // Line 7

```

Line 1: Dash not allowed character in identifier; use underscore: Exmpl\_3. Terminate line with semicolon (;).

Line 2: **inputs** should be **input** (no s at the end). Change last comma (,) to semicolon (;). *Output* is declared but does not appear in the port list, and should be followed by a comma if it is intended to be in the list of inputs. If *Output* is a misspelling of **output** and is to declare output ports, *C* should be followed by a semicolon (;) and *F* should be followed by a semicolon (;).

Line 3: *B* cannot be declared both as an input (Line 2) and output (Line 3). Terminate the line with a semicolon (;).

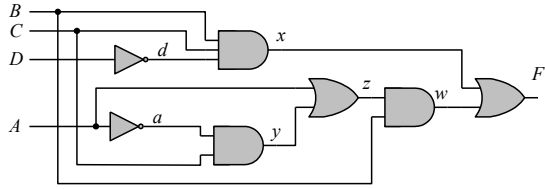
Line 4: *A* cannot be an output of the primitive if it is an input to the module

Line 5: Too many entries for the not gate (may have only a single input, and a single output). Terminate the line with a semicolon, not a comma.

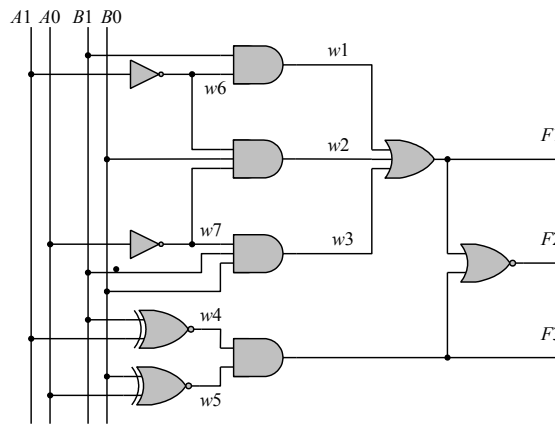
Line 6: OR must be in lowercase: change to "or". Replace semicolon by a comma (B,) in the list of ports.

Line 7: Remove semicolon (no semicolon after endmodule).

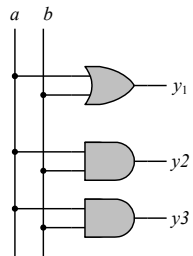
3.36 (a)



(b)



(c)





3.37

```

UDP_Majority_4 (y, a, b, c, d);
output y;
input a, b, c, d;
table
// a b c d : y
0 0 0 0 : 0;
0 0 0 1 : 0;
0 0 1 0 : 0;
0 0 1 1 : 0;
0 1 0 0 : 0;
0 1 0 1 : 0;
0 1 1 0 : 0;
0 1 1 1 : 1;

1 0 0 0 : 0;
1 0 0 1 : 0;
1 0 1 0 : 0;
1 0 1 1 : 0;
1 1 0 0 : 0;
1 1 0 1 : 0;
1 1 1 0 : 1;
1 1 1 1 : 1;
endtable
endprimitive

```

3.38

```

module t_Circuit_with_UDP_02467;
wire E, F;
reg A, B, C, D;
Circuit_with_UDP_02467 m0 (E, F, A, B, C, D);

initial #100 $finish;
initial fork
A = 0; B = 0; C = 0; D = 0;
#40 A = 1;
#20 B = 1;
#40 B = 0;
#60 B = 1;
#10 C = 1; #20 C = 0; #30 C = 1; #40 C = 0; #50 C = 1; #60 C = 0; #70 C = 1;
#20 D = 1;
join
endmodule

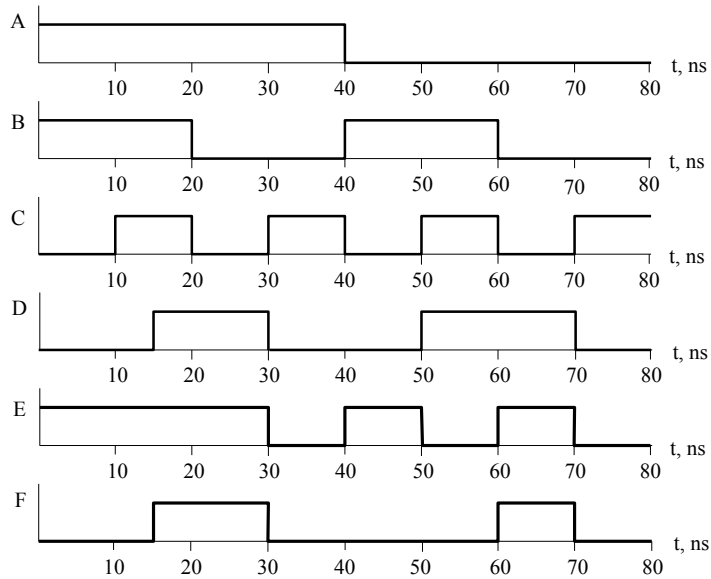
```

```

// Verilog model: User-defined Primitive
primitive UDP_02467 (D, A, B, C);
output D;
input A, B, C;
// Truth table for D = f(A, B, C) = S(0, 2, 4, 6, 7);
table
// A B C : D // Column header comment
0 0 0 : 1;
0 0 1 : 0;
0 1 0 : 1;
0 1 1 : 0;
1 0 0 : 1;
1 0 1 : 0;
1 1 0 : 1;
1 1 1 : 1;
endtable
endprimitive
// Verilog model: Circuit instantiation of Circuit_UDP_02467
module Circuit_with_UDP_02467 (e, f, a, b, c, d);
output e, f;
input a, b, c, d;

UDP_02467 M0 (e, a, b, c);
and
(f, e, d); //Option gate instance name omitted
endmodule

```



## 3.39

```
a b s c
0 0 0 0
0 1 1 0
1 0 1 0
1 1 0 1
```

```
s = a'b + ab' = a ^ b
c = ab = a && b
```

```
module Prob_3_39 (s, c, a, b);
input a, b;
output s, c;

 xor (s, a, b);
 and (c, a, b);
endmodule
```

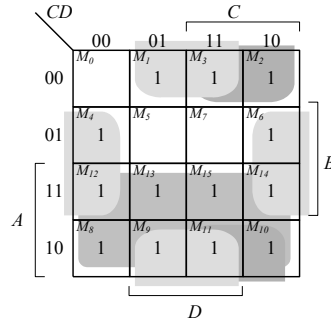
## CHAPTER 4

4.1

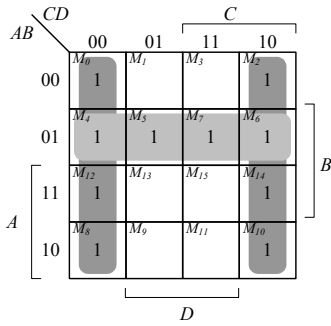
- (a)  $T_1 = B'C$ ,  $T_2 = A'B$ ,  $T_3 = A + T_1 = A + B'C$ ,  
 $T_4 = D \oplus T_2 = D \oplus (A'B) = A'BD' + D(A + B) = A'BD' + AD + B'D$   
 $F_1 = T_3 + T_4 = A + B'C + A'BD' + AD + B'D$   
 With  $A + AD = A$  and  $A + A'BD' = A + BD'$ :  
 $F_1 = A + B'C + BD' + B'D$   
 Alternative cover:  $F_1 = A + CD' + BD' + B'D$

$$F_2 = T_2 + D' = A'B + D'$$

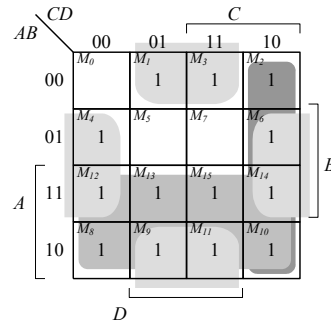
| ABCD | $T_1$ | $T_2$ | $T_3$ | $T_4$ | $F_1$ | $F_2$ |
|------|-------|-------|-------|-------|-------|-------|
| 0000 | 0     | 0     | 0     | 0     | 0     | 1     |
| 0001 | 0     | 0     | 0     | 1     | 1     | 0     |
| 0010 | 1     | 0     | 1     | 0     | 1     | 1     |
| 0011 | 1     | 0     | 1     | 1     | 1     | 0     |
| 0100 | 0     | 1     | 0     | 1     | 1     | 1     |
| 0101 | 0     | 1     | 0     | 0     | 0     | 1     |
| 0110 | 0     | 1     | 0     | 1     | 1     | 1     |
| 0111 | 0     | 1     | 0     | 0     | 0     | 1     |
| 1000 | 0     | 0     | 1     | 0     | 1     | 1     |
| 1001 | 0     | 0     | 1     | 1     | 1     | 0     |
| 1010 | 1     | 0     | 1     | 0     | 1     | 1     |
| 1011 | 1     | 0     | 1     | 1     | 1     | 0     |
| 1100 | 0     | 0     | 1     | 0     | 1     | 1     |
| 1101 | 0     | 0     | 1     | 1     | 1     | 0     |
| 1110 | 0     | 0     | 1     | 0     | 1     | 1     |
| 1111 | 0     | 0     | 1     | 1     | 1     | 0     |



$$F_1 = A + B'C + B'D + BD'$$

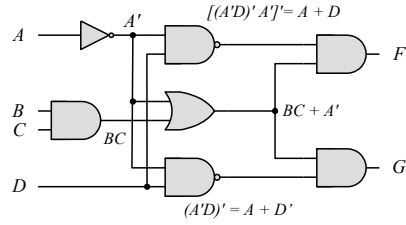


$$F_2 = A'B + D'$$



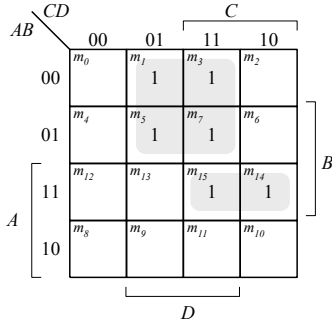
$$F_1 = A + CD' + B'D + BD'$$

4.2

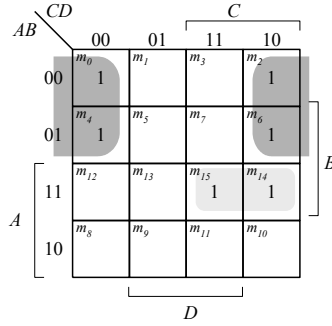


$$F = (A + D)(A' + BC) = A'D + ABC + BCD + A'D + ABC$$

$$F = (A + D')(A' + BC) = A'D' + ABC + BCD' = A'D' + ABC$$



$$F = A'D + ABC + BCD = A'D + ABC$$



$$G = A'D' + ABC + BCD' = A'D' + ABC$$

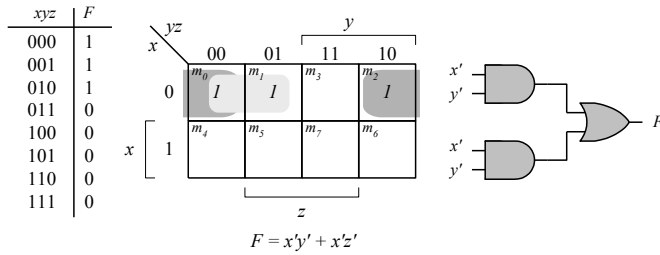
4.3

(a)  $Y_i = (A_i S' + B_i S) E'$  for  $i = 0, 1, 2, 3$

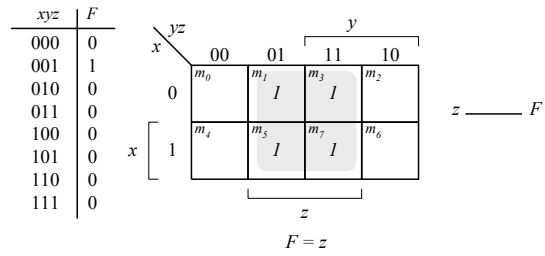
(b) 1024 rows and 14 columns

4.4

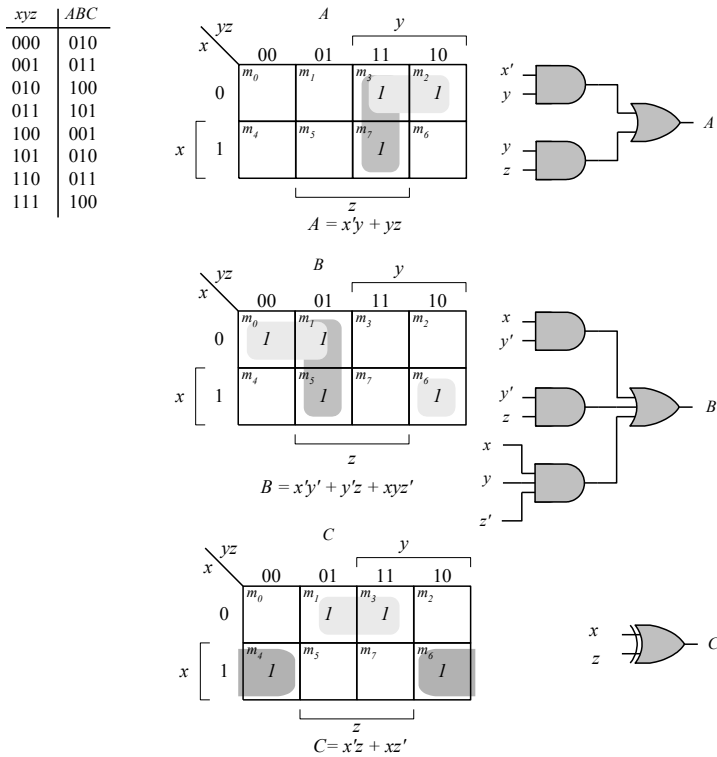
(a)



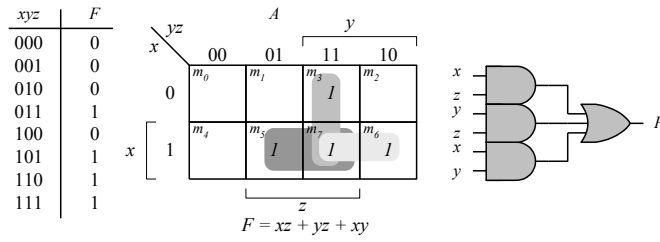
(b)



4.5



4.6

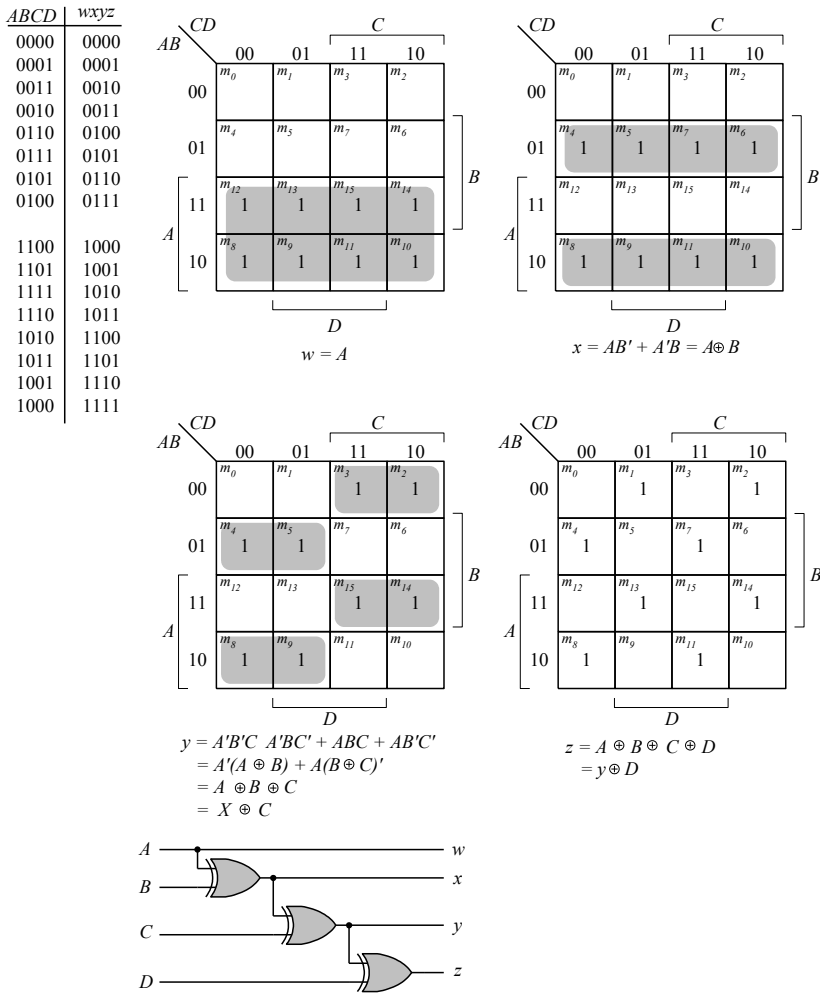


```

module Prob_4_6 (output F, input x, y, z);
 assign F = (x & z) | (y & z) | (x & y);
endmodule

```

4.7 (a)





(b)

```

module Prob_4_7(output w, x, y, z, input A, B, C, D);
always @ (A, B, C, D)
 case ({A, B, C, D})
 4'b0000: {w, x, y, z} = 4'b0000;
 4'b0001: {w, x, y, z} = 4'b1111;
 4'b0010: {w, x, y, z} = 4'b1110;
 4'b0011: {w, x, y, z} = 4'b1101;
 4'b0100: {w, x, y, z} = 4'b1100;
 4'b0101: {w, x, y, z} = 4'b1011;
 4'b0110: {w, x, y, z} = 4'b1010;
 4'b0111: {w, x, y, z} = 4'b1001;

 4'b1000: {w, x, y, z} = 4'b1000;
 4'b1001: {w, x, y, z} = 4'b0111;
 4'b1010: {w, x, y, z} = 4'b0110;
 4'b1011: {w, x, y, z} = 4'b0101;
 4'b1100: {w, x, y, z} = 4'b0100;
 4'b1101: {w, x, y, z} = 4'b0011;
 4'b1110: {w, x, y, z} = 4'b0010;
 4'b1111: {w, x, y, z} = 4'b0001;
 endcase
endmodule

```

Alternative model:

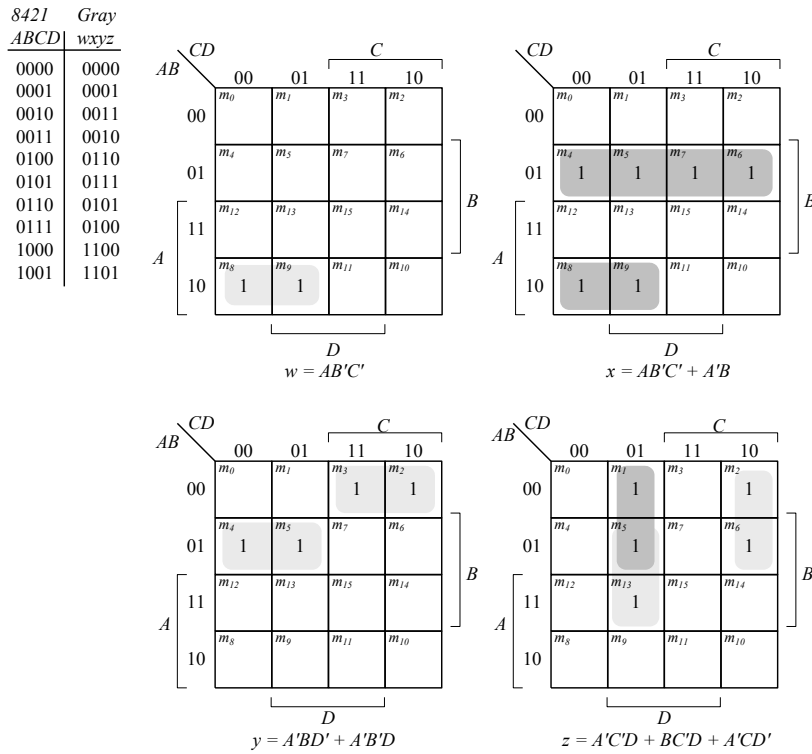
```

module Prob_4_7(output w, x, y, z, input A, B, C, D);
 assign w = A;
 assign x = A ^ B;
 assign y = x ^ C;
 assign z = y ^ D;
endmodule

```

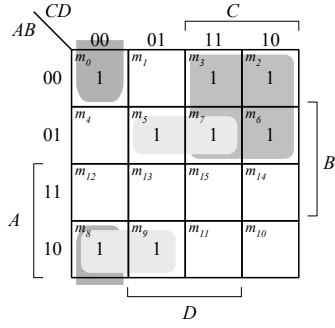
4.8 (a) The 8-4-2-1 code (Table 1.5) and the BCD code (Table 1.4) are identical for digits 0 – 9.

(b)

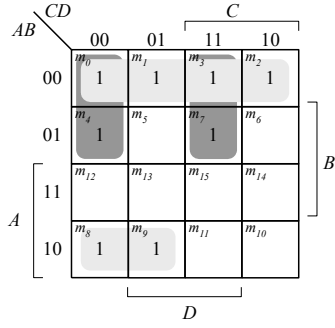


4.9

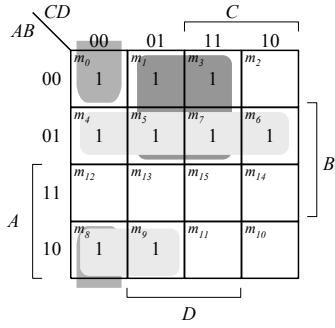
| ABCD | a | b | c | d | e | f | g |
|------|---|---|---|---|---|---|---|
| 0000 | 1 | 1 | 1 | 1 | 1 | 1 | 0 |
| 0001 | 0 | 1 | 1 | 0 | 0 | 0 | 0 |
| 0010 | 1 | 1 | 0 | 1 | 1 | 0 | 1 |
| 0011 | 1 | 1 | 1 | 1 | 0 | 0 | 1 |
| 0100 | 0 | 1 | 1 | 0 | 0 | 1 | 1 |
| 0101 | 1 | 0 | 1 | 1 | 0 | 1 | 1 |
| 0110 | 1 | 0 | 1 | 1 | 1 | 1 | 1 |
| 0111 | 1 | 1 | 1 | 0 | 0 | 0 | 0 |
| 1000 | 1 | 1 | 1 | 1 | 1 | 1 | 1 |
| 1001 | 1 | 1 | 1 | 1 | 0 | 1 | 1 |



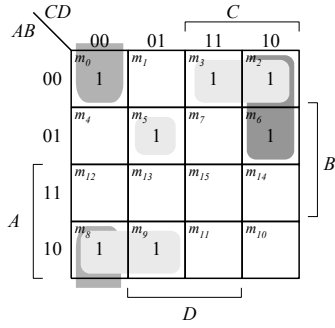
$$a = A'C + A'BD + B'C'D' + AB'C'$$



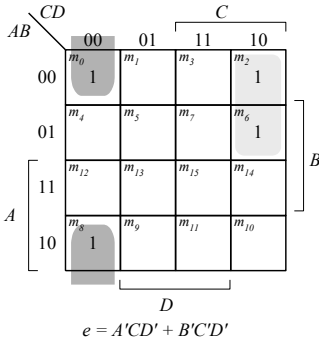
$$b = A'B' + A'C'D' + A'CD + AB'C'$$



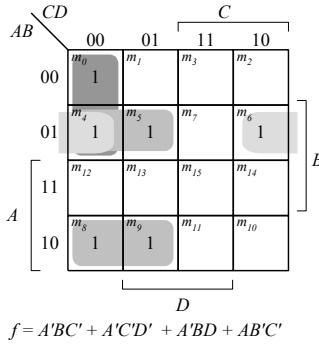
$$c = A'B + A'D + B'C'D' + AB'C'$$



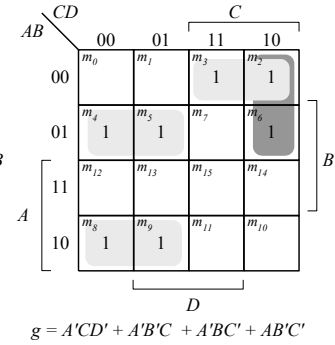
$$d = A'CD' + A'B'C + B'C'D' + AB'C' + A'BC'D$$



$$e = A'CD' + B'C'D'$$



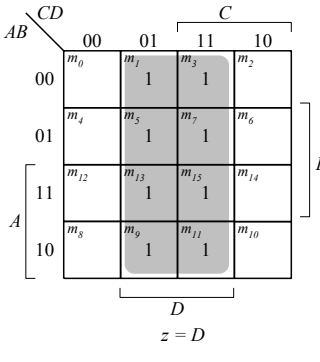
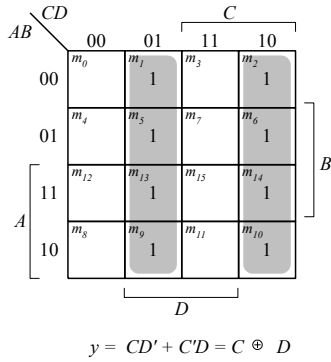
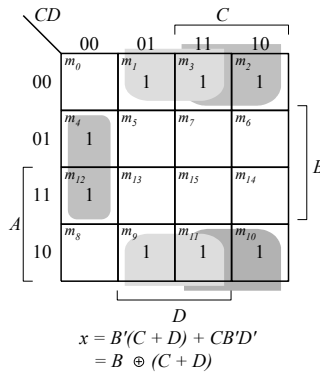
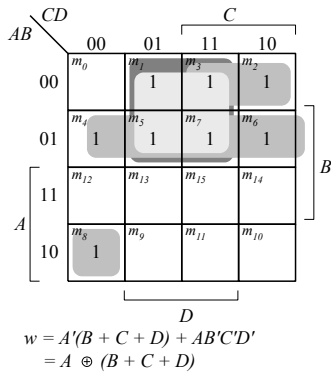
$$f = A'BC' + A'C'D' + A'BD + AB'C'$$



$$g = A'CD' + A'B'C + A'BC' + AB'C'$$

4.10

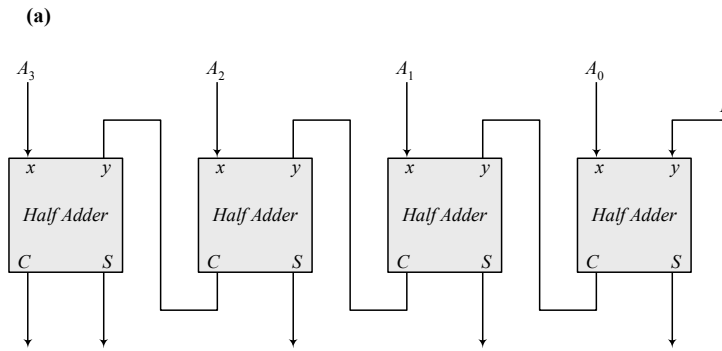
| ABCD | wxyz |
|------|------|
| 0000 | 0000 |
| 0001 | 1111 |
| 0010 | 1110 |
| 0011 | 1101 |
| 0100 | 1100 |
| 0101 | 1011 |
| 0110 | 1001 |
| 0111 | 1000 |
| 1000 | 1000 |
| 1001 | 0111 |
| 1010 | 0110 |
| 1011 | 0101 |
| 1100 | 0100 |
| 1101 | 0011 |
| 1110 | 0010 |
| 1111 | 0001 |



For a 5-bit 2's complementer with input E and output v:

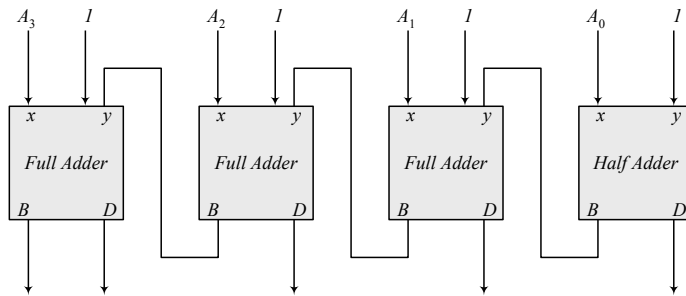
$v = E \oplus (A + B + C + D)$

4.11



Note: 5-bit output

(b)



Note: To decrement the 4-bit number, add -1 to the number. In 2's complement format (add  $F_n$ ) to the number. An attempt to decrement 0 will assert the borrow bit. For waveforms, see solution to Problem 4.52.

4.12

(a)

| $x$ | $y$ | $B$ | $D$ |
|-----|-----|-----|-----|
| 0   | 0   | 0   | 0   |
| 0   | 1   | 1   | 1   |
| 1   | 0   | 0   | 1   |
| 1   | 1   | 0   | 0   |

$D = x'y + xy'$   
 $B = x'y$

(b)

| $x$ | $y$ | $B_{in}$ | $B$ | $D$ |
|-----|-----|----------|-----|-----|
| 0   | 0   | 0        | 0   | 0   |
| 0   | 0   | 1        | 1   | 1   |
| 0   | 1   | 0        | 1   | 1   |
| 0   | 1   | 1        | 1   | 0   |
| 1   | 0   | 0        | 0   | 1   |
| 1   | 0   | 1        | 0   | 0   |
| 1   | 1   | 0        | 0   | 0   |
| 1   | 1   | 1        | 1   | 1   |

$Diff = x \oplus y \oplus z$   
 $B_{out} = x'y + x'z + yz$

4.13            Sum    C    V

(a) 1101    0    1

(b) 0001    1    1

(c) 0100    1    0

(d) 1011    0    1

(e) 1111    0    0

4.14    xor    AND    OR    XOR

$$10 + 5 + 5 + 10 = 30 \text{ ns}$$

$$\begin{aligned} 4.15 \quad C_4 &= G_3 + P_3C_3 = G_3 + P_3(G_2 + P_2G_1 + P_2P_1G_0 + P_2P_1P_0C_0) \\ &= G_3 + P_3G_2 + P_3P_2G_1 + P_3P_2P_1G_0 + P_3P_2P_1P_0C_0 \end{aligned}$$

4.16    (a)

$$\begin{aligned} (C_iG_i + p_i)' &= (C_i + G_i)P_i = G_iP_i + P_iC_i \\ &= A_iB_i(A_i + B_i) + P_iC_i \\ &= A_iB_i + P_iC_i = G_i + P_iC_i \\ &= A_iB_i + (A_i + B_i)C_i = A_iB_i + A_iC_i + B_iC_i = C_{i+1} \\ (P_iG_i) \oplus C_i &= (A_i + B_i)(A_iB_i)' \oplus C_i = (A_i + B_i)(A_i' + B_i') \oplus C_i \\ &= (A_i'B_i + A_iB_i') \oplus C_i = A_i \oplus B_i \oplus C_i = S_i \end{aligned}$$

(b)

$$\begin{aligned} \text{Output of NOR gate} &= (A_0 + B_0)' = P'_0 \\ \text{Output of NAND gate} &= (A_0B_0)' = G'_0 \\ S_1 &= (P_0G'_0) \oplus C_0 \\ C_1 &= (C'_0G'_0 + P'_0)' \quad \text{as defined in part (a)} \end{aligned}$$

4.17    (a)

$$\begin{aligned} (C_iG_i + P_i)' &= (C_i + G_i)P_i = G_iP_i + P_iC_i = A_iB_i(A_i + B_i) + P_iC_i \\ &= A_iB_i + P_iC_i = G_i + P_iC_i \\ &= A_iB_i + (A_i + B_i)C_i = A_iB_i + A_iC_i + B_iC_i = C_{i+1} \end{aligned}$$

$$\begin{aligned} (P_iG_i) \oplus C_i &= (A_i + B_i)(A_iB_i)' \oplus C_i = (A_i + B_i)(A_i' + B_i') \oplus C_i \\ &= (A_i'B_i + A_iB_i') \oplus C_i = A_i \oplus B_i \oplus C_i = S_i \end{aligned}$$

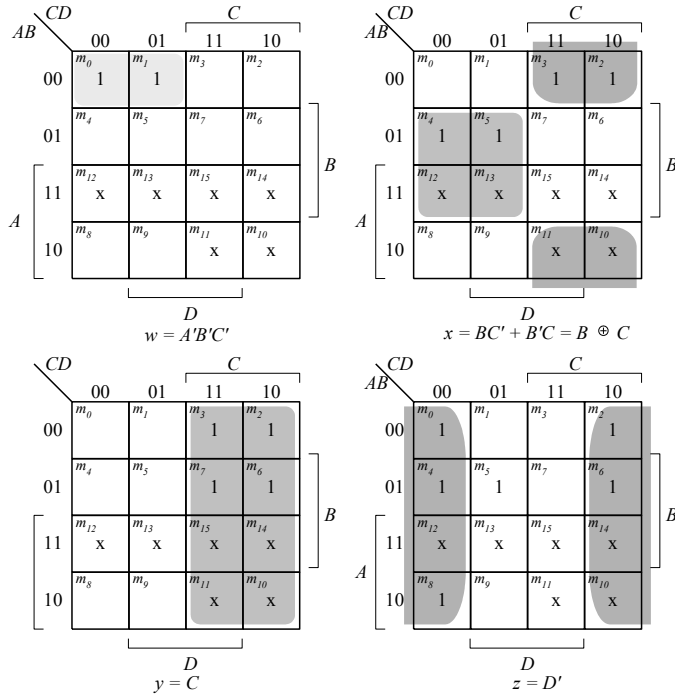
(b)

$$\begin{aligned} \text{Output of NOR gate} &= (A_0 + B_0)' = P'_0 \\ \text{Output of NAND gate} &= (A_0B_0)' = G'_0 \\ S_0 &= (P_0G'_0) \oplus C_0 \\ C_1 &= (C'_0G'_0 + P'_0)' \quad \text{as defined in part (a)} \end{aligned}$$

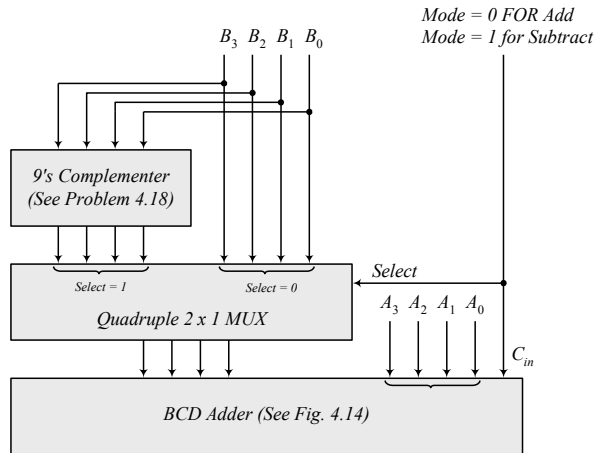
4.18

| Inputs |      | Outputs |
|--------|------|---------|
| ABCD   | wxyz |         |
| 0000   | 1001 |         |
| 0001   | 1000 |         |
| 0010   | 0111 |         |
| 0011   | 0110 |         |
| 0100   | 0101 |         |
| 0101   | 0100 |         |
| 0110   | 0011 |         |
| 0111   | 0010 |         |
| 1000   | 0001 |         |
| 1001   | 0000 |         |

$$d(A, b, c, d) = \Sigma(10, 11, 12, 13, 14, 15)$$

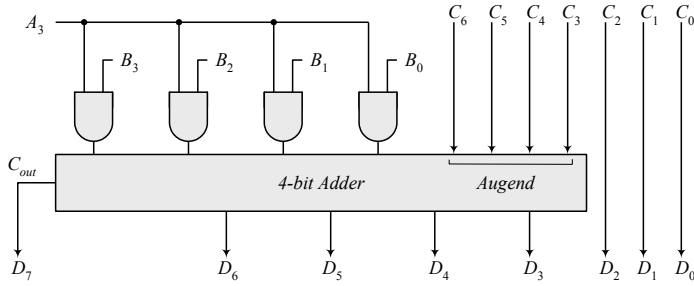


4.19

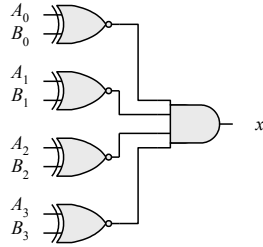




4.20 Combine the following circuit with the 4-bit binary multiplier circuit of Fig. 4.16.



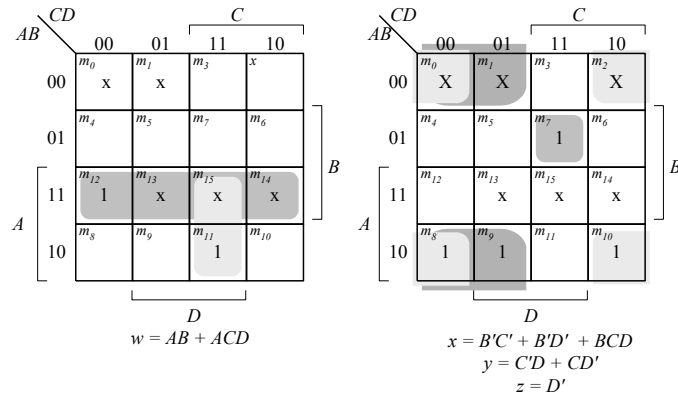
4.21



$$x = (A_0 \oplus B_0)'(A_1 \oplus B_1)'(A_2 \oplus B_2)'(A_3 \oplus B_3)'$$

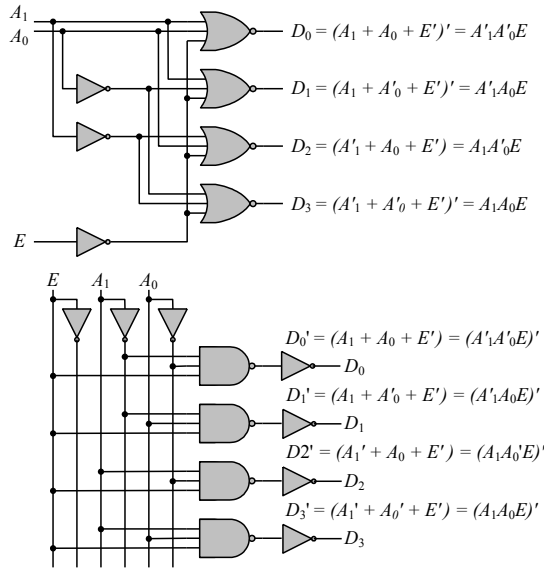
4.22

| XS-3<br><i>ABCD</i> | Binary<br><i>wxyz</i> |
|---------------------|-----------------------|
| 0011                | 0000                  |
| 0100                | 0001                  |
| 0101                | 0010                  |
| 0110                | 0011                  |
| 0111                | 0100                  |
| 1000                | 0101                  |
| 1001                | 0110                  |
| 1010                | 0111                  |
| 1011                | 1000                  |
| 1100                | 1001                  |



4.23

- $D_0 = A_1'A_0' = (A_1 + A_0)'$  (NOR)      $D_0' = (A_1'A_0)'$  (NAND)
- $D_1 = A_1'A_0 = (A_1 + A_0')$  (NOR)      $D_1' = (A_1'A_0)'$  (NAND)
- $D_2 = A_1A_0' = (A_1' + A_0)'$  (NOR)      $D_2' = (A_1A_0)'$  (NAND)
- $D_3 = A_1A_0 = (A_1' + A_0')$  (NOR)      $D_3' = (A_1A_0)'$  (NAND)



4.24

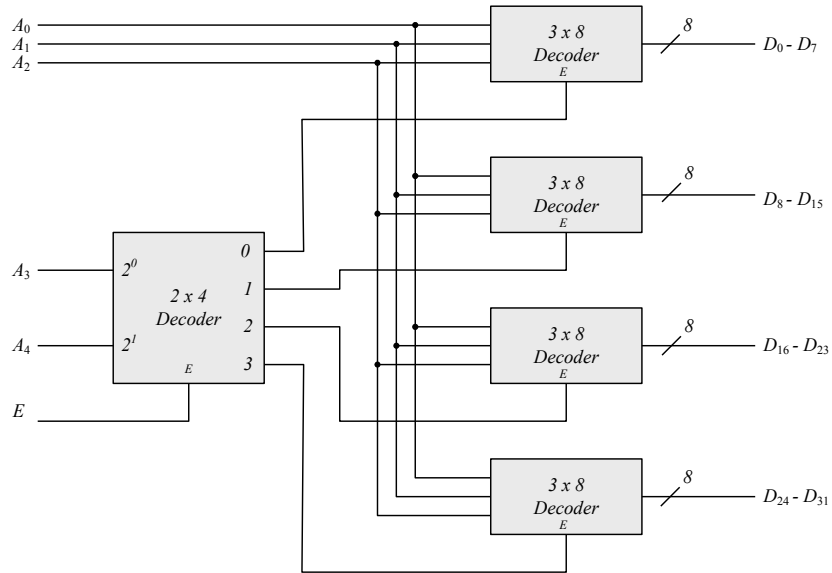
Inputs:  $A, B, C, D$ 

$$\begin{aligned} D_0 &= A'B'C'D' \\ D_1 &= A'B'C'D \\ D_2 &= B'CD' \\ D_3 &= B'CD \\ D_4 &= BC'D' \end{aligned}$$

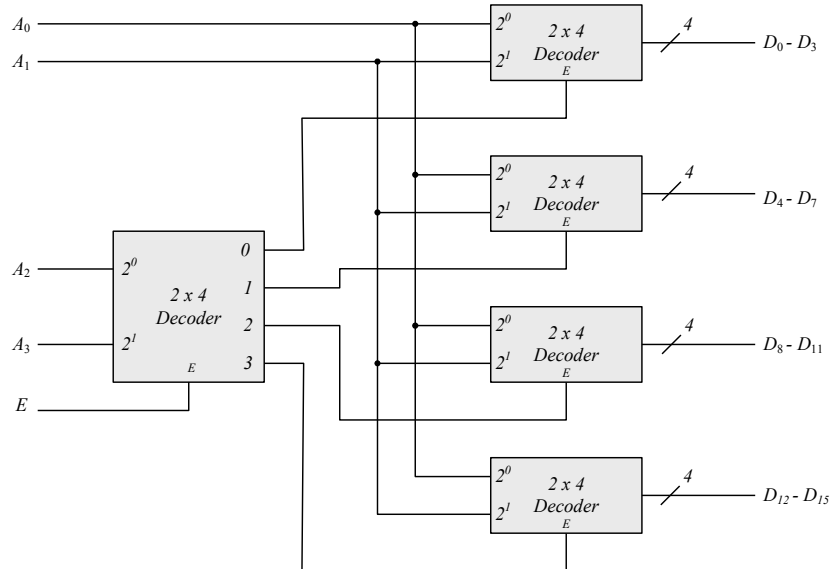
$$\begin{aligned} \text{Outputs: } D_0, D_1, \dots, D_9 \\ D_5 &= BCD \\ D_6 &= BCD' \\ D_7 &= BCD \\ D_8 &= AD' \\ D_9 &= AD \end{aligned}$$

|      |    |                         |                         |                         |                         |
|------|----|-------------------------|-------------------------|-------------------------|-------------------------|
|      |    | $CD$                    |                         |                         |                         |
|      |    | 00                      | 01                      | $C$                     |                         |
| $AB$ | 00 | $m_0$<br>D <sub>0</sub> | $m_1$<br>D <sub>1</sub> | $m_3$<br>D <sub>3</sub> | $x$<br>D <sub>2</sub>   |
|      | 01 | $m_4$<br>D <sub>4</sub> | $m_5$<br>D <sub>5</sub> | $m_7$<br>D <sub>7</sub> | $m_6$<br>D <sub>6</sub> |
|      | 11 | $m_{12}$<br>x           | $m_{13}$<br>x           | $m_{15}$<br>x           | $m_{14}$<br>x           |
|      | 10 | $m_8$<br>D <sub>8</sub> | $m_9$<br>D <sub>9</sub> | $m_{11}$<br>x           | $m_{10}$<br>x           |
| $A$  |    | $D$                     |                         |                         |                         |

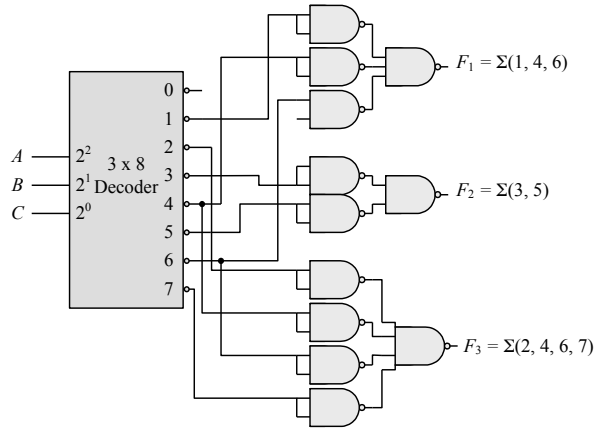
4.25



4.26



4.27

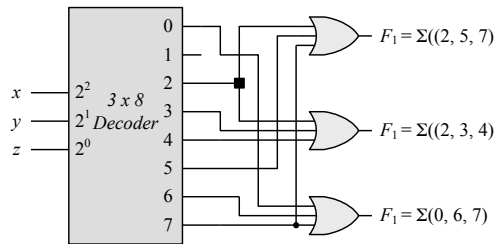


4.28 (a)

$$F_1 = x(y + y')z + x'y'z' = xyx + xy'z + x'y'z' = \Sigma(2, 5, 7)$$

$$F_2 = xy'z' + x'y = xy'z' + x'y'z + x'y'z' = \Sigma(2, 3, 4)$$

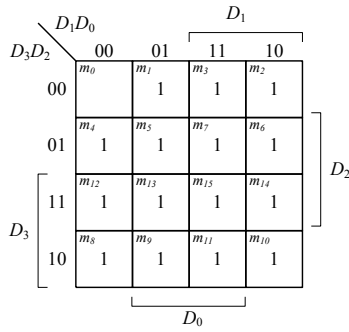
$$F_3 = x'y'z' + xy(z + z') = x'y'z' + xyz + xyz' = \Sigma(0, 6, 7)$$



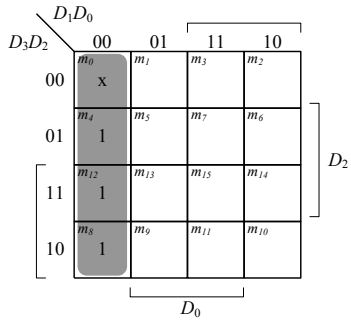
(b)

4.29

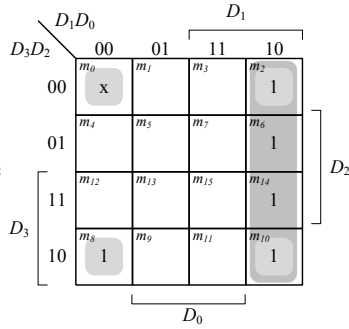
| Inputs |       |       |       | Outputs |     |     |
|--------|-------|-------|-------|---------|-----|-----|
| $D_3$  | $D_2$ | $D_1$ | $D_0$ | $x$     | $y$ | $V$ |
| 0      | 0     | 0     | 0     | x       | x   | 0   |
| x      | x     | x     | 1     | 0       | 0   | 1   |
| x      | x     | 1     | 0     | 0       | 1   | 1   |
| x      | 1     | 0     | 0     | 1       | 0   | 1   |
| 1      | 0     | 0     | 0     | 1       | 1   | 1   |



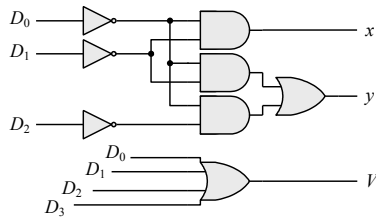
$$V = D_0 + D_1 + D_2 + D_3$$



$$x = D_1'D_0'$$



$$y = D_0'D_2' + D_1D_0'$$

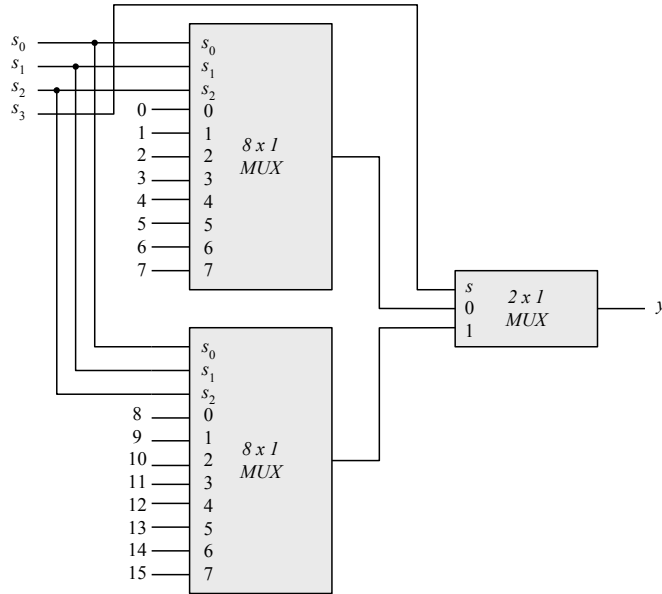


4.30

| Inputs |       |       |       |       |       |       |       | Outputs |     |     |     |
|--------|-------|-------|-------|-------|-------|-------|-------|---------|-----|-----|-----|
| $D_0$  | $D_1$ | $D_2$ | $D_3$ | $D_4$ | $D_5$ | $D_6$ | $D_7$ | $x$     | $y$ | $z$ | $V$ |
| 0      | 0     | 0     | 0     | 0     | 0     | 0     | 0     | x       | x   | x   | 0   |
| 1      | 0     | 0     | 0     | 0     | 0     | 0     | 0     | 0       | 0   | 0   | 1   |
| x      | 1     | 0     | 0     | 0     | 0     | 0     | 0     | 0       | 0   | 1   | 1   |
| x      | x     | 1     | 0     | 0     | 0     | 0     | 0     | 0       | 1   | 0   | 1   |
| x      | x     | x     | 1     | 0     | 0     | 0     | 0     | 0       | 1   | 1   | 1   |
| x      | x     | x     | x     | 1     | 0     | 0     | 0     | 1       | 0   | 0   | 1   |
| x      | x     | x     | x     | x     | 1     | 0     | 0     | 1       | 0   | 1   | 1   |
| x      | x     | x     | x     | x     | x     | 1     | 0     | 1       | 0   | 0   | 1   |
| x      | x     | x     | x     | x     | x     | x     | 1     | 1       | 1   | 1   | 1   |

If  $D_2 = 1$ ,  $D_6 = 1$ , all others = 0  
 Output  $xyz = 100$  and  $V = 1$

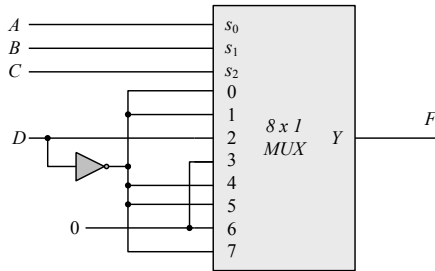
4.31



4.32

(a)  $F = \Sigma(0, 2, 5, 8, 10, 14)$ 

| Inputs<br>ABCD | Max input line (ABC)<br>Value | $F = \Sigma(0, 2, 5, 8, 10, 14)$ |
|----------------|-------------------------------|----------------------------------|
| 000 0 0        | <b>0</b>                      | 1 $F = D'$                       |
| 000 1 0        | 1                             | 0                                |
| 001 0 1        | <b>2</b>                      | 1 $F = D'$                       |
| 001 1 1        | 3                             | 0 $F = D'$                       |
| 010 0 2        | 4                             | 0 $F = D$                        |
| 010 1 2        | <b>5</b>                      | 1 $F = D$                        |
| 011 0 3        | 6                             | 0 $F = 0$                        |
| 011 1 3        | 7                             | 0                                |
| 100 0 4        | <b>8</b>                      | 1 $F = D'$                       |
| 100 1 4        | 9                             | 0                                |
| 101 0 5        | <b>10</b>                     | 1 $F = D'$                       |
| 101 1 5        | 11                            | 0                                |
| 110 0 6        | 12                            | 0 $F = 0$                        |
| 110 1 6        | 13                            | 0                                |
| 111 0 7        | <b>14</b>                     | 1 $F = D'$                       |
| 111 1 7        | 15                            | 0                                |





(b)

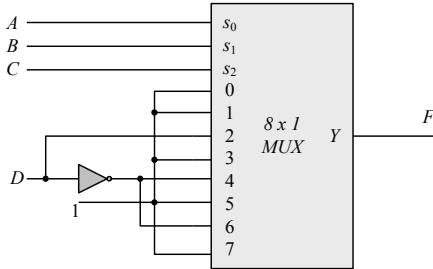
$$F = \Pi(2, 6, 11) = (A' + B' + C + D')(A' + B + C + D')(A + B' + C + D)$$

$$F' = (A' + B' + C + D)' + (A' + B + C + D)' + (A + B' + C + D)'$$

$$F' = (ABC'D) + (AB'CD) + (A'BC'D) = \Sigma(13, 9, 4)$$

$$F = \Sigma(0, 1, 2, 3, 5, 6, 7, 8, 10, 11, 12, 14, 15)$$

| Inputs<br>ABCD | Max<br>Value | Value |           |
|----------------|--------------|-------|-----------|
| 000            | 0            | 0     | $^1F = I$ |
| 000            | 1            | 0     | 1         |
| 001            | 0            | 1     |           |
| 001            | 1            | 2     | $^1F = I$ |
| 001            | 1            | 3     | $^1F = I$ |
| 010            | 0            | 2     | 4         |
| 010            | 1            | 2     | 5         |
| 011            | 0            | 3     | 6         |
| 011            | 1            | 3     | 7         |
| 100            | 0            | 4     | 8         |
| 100            | 1            | 4     | 9         |
| 101            | 0            | 5     | 10        |
| 101            | 1            | 5     | 11        |
| 110            | 0            | 6     | 12        |
| 110            | 1            | 6     | 13        |
| 111            | 0            | 7     | 14        |
| 111            | 1            | 7     | 15        |

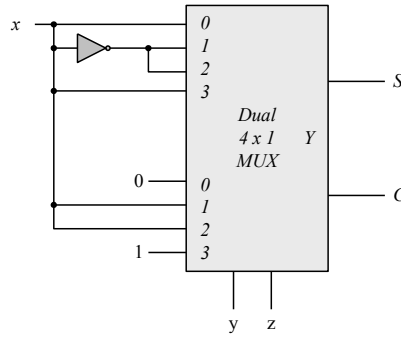


4.33

$$S(x, y, z) = \Sigma(1, 2, 4, 7)$$

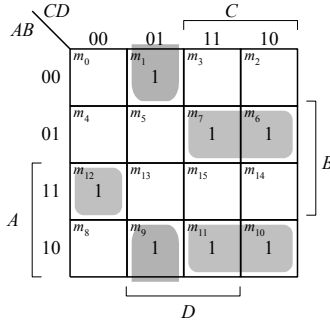
$$C(x, y, z) = \Sigma(3, 5, 6, 7)$$

| S  | I <sub>0</sub> | I <sub>1</sub> | I <sub>2</sub> | I <sub>3</sub> | C  | I <sub>0</sub> | I <sub>1</sub> | I <sub>2</sub> | I <sub>3</sub> |
|----|----------------|----------------|----------------|----------------|----|----------------|----------------|----------------|----------------|
| x' | 0              | 1              | 2              | 3              | x' | 0              | 1              | 2              | 3              |
| x  | 4              | 5              | 6              | 7              | x  | 4              | 5              | 6              | 7              |
|    | x              | x'             | x'             | x              |    | 0              | x'             | x'             | 1              |



4.34 (a)

|            | A | B | C | D | F |
|------------|---|---|---|---|---|
| $I_3 = 1$  | 0 | 1 | 1 | 0 | 1 |
|            | 0 | 1 | 1 | 1 | 1 |
| $I_5 = 1$  | 1 | 0 | 1 | 0 | 1 |
|            | 1 | 0 | 1 | 1 | 1 |
| $I_0 = D$  | 0 | 0 | 0 | 0 | 0 |
|            | 0 | 0 | 0 | 1 | 1 |
| $I_4 = D$  | 1 | 0 | 0 | 0 | 0 |
|            | 1 | 0 | 0 | 1 | 1 |
| $I_6 = D'$ | 1 | 1 | 0 | 0 | 1 |
|            | 1 | 1 | 0 | 1 | 0 |

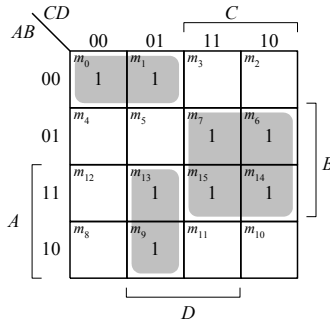


Other minterms = 0  
since  $I_1 = I_2 = I_7 = 0$

$F(A, B, C, D) = \Sigma(1, 6, 7, 9, 10, 11, 12)$

(b)

|            | A | B | C | D | F |
|------------|---|---|---|---|---|
| $I_1 = 0$  | 0 | 0 | 1 | 0 | 0 |
|            | 0 | 0 | 1 | 1 | 0 |
| $I_2 = 0$  | 0 | 1 | 0 | 0 | 0 |
|            | 0 | 1 | 0 | 1 | 0 |
| $I_3 = 1$  | 0 | 1 | 1 | 0 | 1 |
|            | 0 | 1 | 1 | 1 | 1 |
| $I_7 = 1$  | 1 | 1 | 1 | 0 | 1 |
|            | 1 | 1 | 1 | 1 | 1 |
| $I_4 = D$  | 1 | 0 | 0 | 0 | 0 |
|            | 1 | 0 | 0 | 1 | 1 |
| $I_0 = D'$ | 0 | 0 | 0 | 0 | 1 |
|            | 0 | 0 | 0 | 1 | 0 |
| $I_6 = D'$ | 1 | 1 | 0 | 0 | 1 |
|            | 1 | 1 | 0 | 1 | 0 |

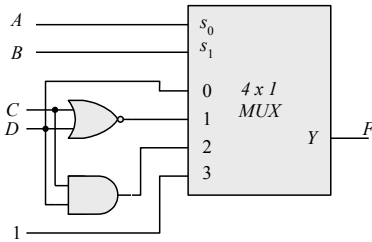


Other minterms = 0  
since  $I_1 = I_2 = 0$

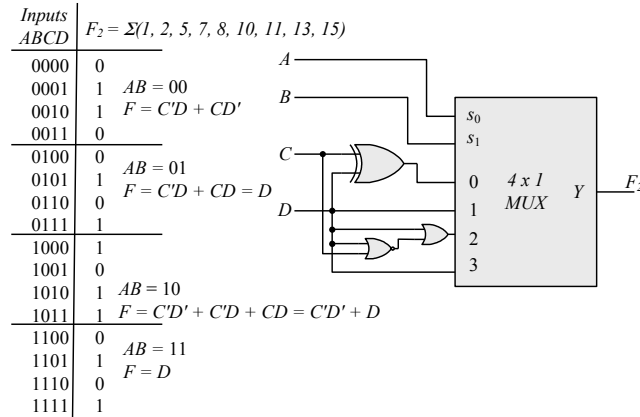
$F(A, B, C, D) = \Sigma(0, 1, 6, 7, 9, 13, 14, 15)$

4.35 (a)

| Inputs<br>ABCD | F              |
|----------------|----------------|
| 0000           | 0              |
| 0001           | 1 $AB = 00$    |
| 0010           | 0 $F = D$      |
| 0011           | 1              |
| 0100           | 1              |
| 0101           | 0 $AB = 01$    |
| 0110           | 0 $F = C'D'$   |
| 0111           | 0 $= (C + D)'$ |
| 1000           | 0              |
| 1001           | 0 $AB = 10$    |
| 1010           | 0 $F = CD$     |
| 1011           | 1              |
| 1100           | 1              |
| 1101           | 1 $AB = 11$    |
| 1110           | 1 $F = 1$      |
| 1111           | 1              |



(b)  $F = \Sigma(1, 2, 5, 7, 8, 10, 11, 13, 15)$



4.36

```

module priority_encoder_gates (output x, y, V, input D0, D1, D2, D3); // V2001
 wire w1, D2_not;
 not (D2_not, D2);
 or (x, D2, D3);
 or (V, D0, D1, x);
 and (w1, D2_not, D1);
 or (y, D3, w1);
endmodule

```

Note: See Problem 4.45 for testbench)

4.37

```

module Add_Sub_4_bit (
 output [3: 0] S,
 output C,
 input [3: 0] A, B,
 input M
);
 wire [3: 0] B_xor_M;
 wire C1, C2, C3, C4;
 assign C = C4; // output carry
 xor (B_xor_M[0], B[0], M);
 xor (B_xor_M[1], B[1], M);
 xor (B_xor_M[2], B[2], M);
 xor (B_xor_M[3], B[3], M);
 // Instantiate full adders
 full_adder FA0 (S[0], C1, A[0], B_xor_M[0], M);
 full_adder FA1 (S[1], C2, A[1], B_xor_M[1], C1);
 full_adder FA2 (S[2], C3, A[2], B_xor_M[2], C2);
 full_adder FA3 (S[3], C4, A[3], B_xor_M[3], C3);
endmodule

module full_adder (output S, C, input x, y, z); // See HDL Example 4.2
 wire S1, C1, C2;
 // instantiate half adders
 half_adder HA1 (S1, C1, x, y);
 half_adder HA2 (S, C2, S1, z);
 or G1 (C, C2, C1);
endmodule

```

```

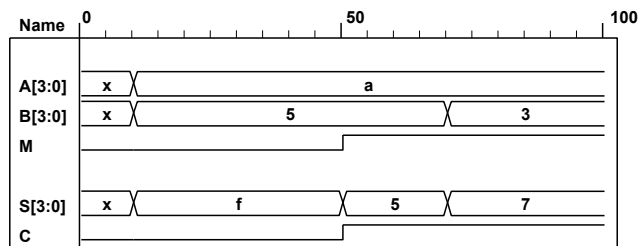
module half_adder (output S, C, input x, y); // See HDL Example 4.2
 xor (S, x, y);
 and (C, x, y);
endmodule

module t_Add_Sub_4_bit ();
 wire [3: 0] S;
 wire C;
 reg [3: 0] A, B;
 reg M;

 Add_Sub_4_bit M0 (S, C, A, B, M);

 initial #100 $finish;
 initial fork
 #10 M = 0;
 #10 A = 4'hA;
 #10 B = 4'h5;
 #50 M = 1;
 #70 B = 4'h3;
 join
endmodule

```



4.38

```

module quad_2x1_mux (// V2001
 input [3: 0] A, B, // 4-bit data channels
 input enable_bar, select, // enable_bar is active-low)
 output [3: 0] Y // 4-bit mux output
);
 //assign Y = enable_bar ? 0 : (select ? B : A); // Grounds output
 assign Y = enable_bar ? 4'bzzzz : (select ? B : A); // Three-state output
endmodule
// Note that this mux grounds the output when the mux is not active.

module t_quad_2x1_mux ();
 reg [3: 0] A, B, C; // 4-bit data channels
 reg enable_bar, select; // enable_bar is active-low)
 wire [3: 0] Y; // 4-bit mux

 quad_2x1_mux M0 (A, B, enable_bar, select, Y);

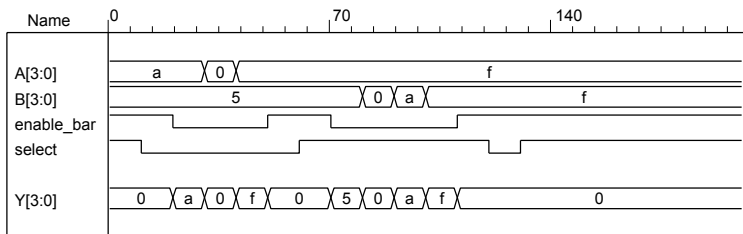
 initial #200 $finish;
 initial fork
 enable_bar = 1;
 select = 1;
 A = 4'hA;
 B = 4'h5;
 #10 select = 0; // channel A
 join
endmodule

```

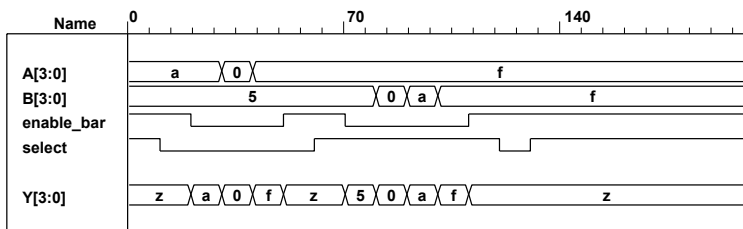
```

#20 enable_bar = 0;
#30 A = 4'h0;
#40 A = 4'hF;
#50 enable_bar = 1;
#60 select = 1; // channel B
#70 enable_bar = 0;
#80 B = 4'h00;
#90 B = 4'hA;
#100 B = 4'hF;
#110 enable_bar = 1;
#120 select = 0;
#130 select = 1;
#140 enable_bar = 1;
join
endmodule

```



With three-state output:



```

4.39 // Verilog 1995
module Compare (A, B, Y);
input [3: 0] A, B; // 4-bit data inputs.
output [5: 0] Y; // 6-bit comparator output.
reg [5: 0] Y; // EQ, NE, GT, LT, GE, LE

always @ (A or B)
if (A==B) Y = 6'b10_0011; // EQ, GE, LE
else if (A < B) Y = 6'b01_0101; // NE, LT, LE
else Y = 6'b01_1010; // NE, GT, GE
endmodule

// Verilog 2001, 2005

module Compare (input [3: 0] A, B, output reg [5:0] Y);
always @ (A, B)
if (A==B) Y = 6'b10_0011; // EQ, GE, LE
else if (A < B) Y = 6'b01_0101; // NE, LT, LE
else Y = 6'b01_1010; // NE, GT, GE
endmodule

```

4.40

```

module Prob_4_40 (
 output [3: 0] sum_diff, output carry_borrow,
 input [3: 0] A, B, input sel_diff
);

 always @(sel_diff, A, B) {carry_borrow, sum_diff} = sel_diff ? A - B : A + B;
endmodule

module t_Prob_4_40;
wire [3: 0] sum_diff;
wire carry_borrow;
reg [3:0] A, B;
reg sel_diff;

 integer I, J, K;
 Prob_4_40 M0 (sum_diff, carry_borrow, A, B, sel_diff);
 initial #4000 $finish;
 initial begin
 for (I = 0; I < 2; I = I + 1) begin
 sel_diff = I;
 for (J = 0; J < 16; J = J + 1) begin
 A = J;
 for (K = 0; K < 16; K = K + 1) begin B = K; #5 ; end
 end
 end
 end
endmodule

```

4.41

```

module Prob_4_41 (
 output reg [3: 0] sum_diff, output reg carry_borrow,
 input [3: 0] A, B, input sel_diff
);

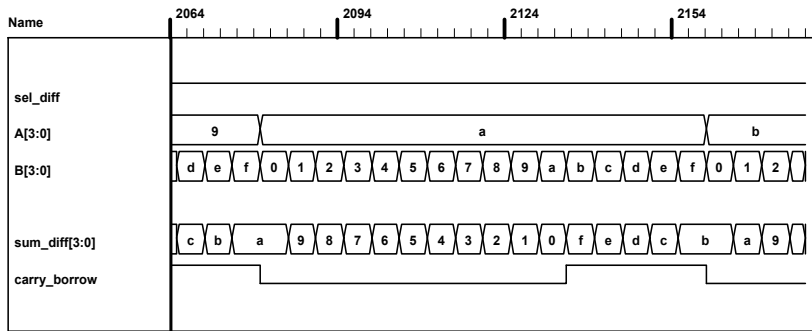
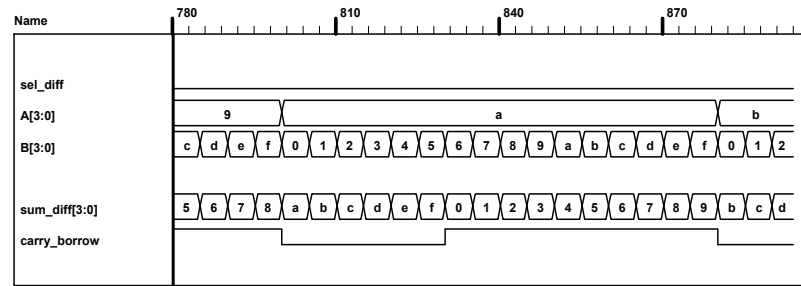
 always @ (A, B, sel_diff)
 {carry_borrow, sum_diff} = sel_diff ? A - B : A + B;

endmodule

module t_Prob_4_41;
wire [3: 0] sum_diff;
wire carry_borrow;
reg [3:0] A, B;
reg sel_diff;

 integer I, J, K;
 Prob_4_46 M0 (sum_diff, carry_borrow, A, B, sel_diff);
 initial #4000 $finish;
 initial begin
 for (I = 0; I < 2; I = I + 1) begin
 sel_diff = I;
 for (J = 0; J < 16; J = J + 1) begin
 A = J;
 for (K = 0; K < 16; K = K + 1) begin B = K; #5 ; end
 end
 end
 end
endmodule

```



4.42

```

(a)
module Xs3_Gates (input A, B, C, D, output w, x, y, z);
 wire B_bar, C_or_D_bar;
 wire CD, C_or_D;
 or (C_or_D, C, D);
 not (C_or_D_bar, C_or_D);
 not (B_bar, B);
 and (CD, C, D);
 not (z, D);
 or (y, CD, C_or_D_bar);
 and (w1, C_or_D_bar, B);
 and (w2, B_bar, C_or_D);
 and (w3, C_or_D, B);
 or (x, w1, w2);
 or (w, w3, A);
endmodule

(b)
module Xs3_Dataflow (input A, B, C, D, output w, x, y, z);
 assign {w, x, y, z} = {A, B, C, D} + 4'b0011;
endmodule

(c)
module Xs3_Behavior_95 (A, B, C, D, w, x, y, z);
 input A, B, C, D;
 output w, x, y, z;
 reg w, x, y, z;

 always @ (A or B or C or D) begin {w, x, y, z} = {A, B, C, D} + 4'b0011; end
endmodule

module Xs3_Behavior_01 (input A, B, C, D, output reg w, x, y, z);

```

```

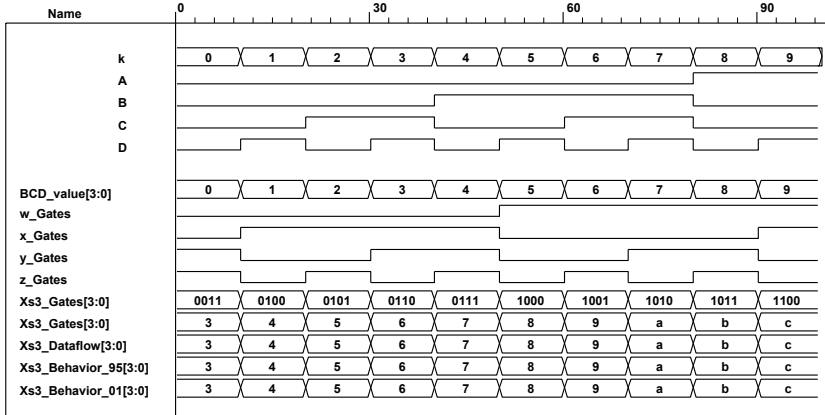
always @ (A, B, C, D) begin {w, x, y, z} = {A, B,C, D} + 4'b0011; end
endmodule

module t_Xs3_Converters ();
reg A, B, C, D;
wire w_Gates, x_Gates, y_Gates, z_Gates;
wire w_Dataflow, x_Dataflow, y_Dataflow, z_Dataflow;
wire w_Behavior_95, x_Behavior_95, y_Behavior_95, z_Behavior_95;
wire w_Behavior_01, x_Behavior_01, y_Behavior_01, z_Behavior_01;
integer k;
wire [3: 0] BCD_value;
wire [3: 0] Xs3_Gates = {w_Gates, x_Gates, y_Gates, z_Gates};
wire [3: 0] Xs3_Dataflow = {w_Dataflow, x_Dataflow, y_Dataflow, z_Dataflow};
wire [3: 0] Xs3_Behavior_95 = {w_Behavior_95, x_Behavior_95, y_Behavior_95, z_Behavior_95};
wire [3: 0] Xs3_Behavior_01 = {w_Behavior_01, x_Behavior_01, y_Behavior_01, z_Behavior_01};

assign BCD_value = {A, B, C, D};
Xs3_Gates M0 (A, B, C, D, w_Gates, x_Gates, y_Gates, z_Gates);
Xs3_Dataflow M1 (A, B, C, D, w_Dataflow, x_Dataflow, y_Dataflow, z_Dataflow);
Xs3_Behavior_95 M2 (A, B, C, D, w_Behavior_95, x_Behavior_95, y_Behavior_95, z_Behavior_95);
Xs3_Behavior_01 M3 (A, B, C, D, w_Behavior_01, x_Behavior_01, y_Behavior_01, z_Behavior_01);

initial #200 $finish;
initial begin
 k = 0;
 repeat (10) begin {A, B, C, D} = k; #10 k = k + 1; end
end
endmodule

```



4.43 Two-channel mux with 2-bit data paths, enable, and three-state output.

4.44

```

module ALU (output reg [7: 0] y, input [7: 0] A, B, input [2: 0] Sel);
always @ (A, B, Sel) begin
 y = 0;
 case (Sel)
 3'b000: y = 8'b0;
 3'b001: y = A & B;
 3'b010: y = A | B;
 3'b011: y = A ^ B;
 3'b100: y = A + B;
 endcase
end

```



```

3'b101: y = A - B;
3'b110: y = ~A;
3'b111: y = 8'hFF;
endcase
end

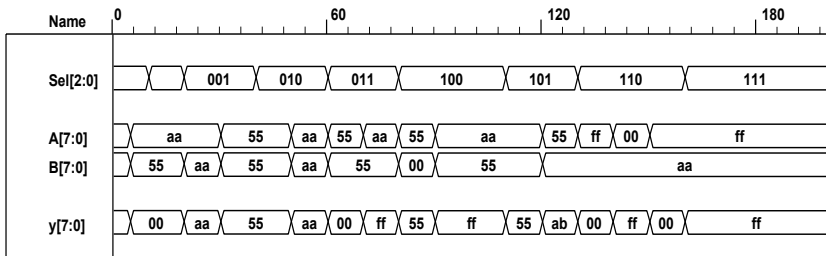
endmodule

module t_ALU ();
wire[7: 0]y;
reg [7: 0] A, B;
reg [2: 0] Sel;

ALU M0 (y, A, B, Sel);

initial #200 $finish;
initial fork
#5 begin A = 8'hAA; B = 8'h55; end // Expect y = 8'd0
#10 begin Sel = 3'b000; A = 8'hAA; B = 8'h55; end // y = 8'b000 Expect y = 8'd0
#20 begin Sel = 3'b001; A = 8'hAA; B = 8'hAA; end // y = A & B Expect y = 8'hAA = 8'1010_1010
#30 begin Sel = 3'b001; A = 8'h55; B = 8'h55; end // y = A & B Expect y = 8'h55 = 8'b0101_0101
#40 begin Sel = 3'b010; A = 8'h55; B = 8'h55; end // y = A | B Expect y = 8'h55 = 8'b0101_0101
#50 begin Sel = 3'b010; A = 8'hAA; B = 8'hAA; end // y = A | B Expect y = 8'hAA = 8'b1010_1010
#60 begin Sel = 3'b011; A = 8'h55; B = 8'h55; end // y = A ^ B Expect y = 8'd0
#70 begin Sel = 3'b011; A = 8'hAA; B = 8'h55; end // y = A ^ B Expect y = 8'hFF = 8'b1111_1111
#80 begin Sel = 3'b100; A = 8'h55; B = 8'h00; end // y = A + B Expect y = 8'h55 = 8'b0101_0101
#90 begin Sel = 3'b100; A = 8'hAA; B = 8'h55; end // y = A + B Expect y = 8'hFF = 8'b1111_1111
#110 begin Sel = 3'b101; A = 8'hAA; B = 8'h55; end // y = A - B Expect y = 8'h55 = 8'b0101_0101
#120 begin Sel = 3'b101; A = 8'h55; B = 8'hAA; end // y = A - B Expect y = 8'h55 = 8'b0101_0101
#130 begin Sel = 3'b110; A = 8'hFF; end // y = ~A Expect y = 8'd0
#140 begin Sel = 3'b110; A = 8'd0; end // y = ~A Expect y = 8'hFF = 8'b1111_1111
#150 begin Sel = 3'b110; A = 8'hFF; end // y = ~A Expect y = 8'd0
#160 begin Sel = 3'b111; end // y = 8'hFF Expect y = 8'hFF = 8'b1111_1111
join
endmodule

```



Note that the subtraction operator performs 2's complement subtraction. So  $8'h55 - 8'hAA$  adds the 2's complement of  $8'hAA$  to  $8'h55$  and gets  $8'hAB$ . The sign bit is not included in the model, but hand calculation shows that the 9<sup>th</sup> bit is 1, indicating that the result of the operation is negative. The magnitude of the result can be obtained by taking the 2's complement of  $8'hAB$ .

## 4.45

```

module priority_encoder_beh (output reg X, Y, V, input D0, D1, D2, D3); // V2001
always @ (D0, D1, D2, D3) begin
X = 0;
Y = 0;
V = 0;
casex ({D0, D1, D2, D3})

```

```

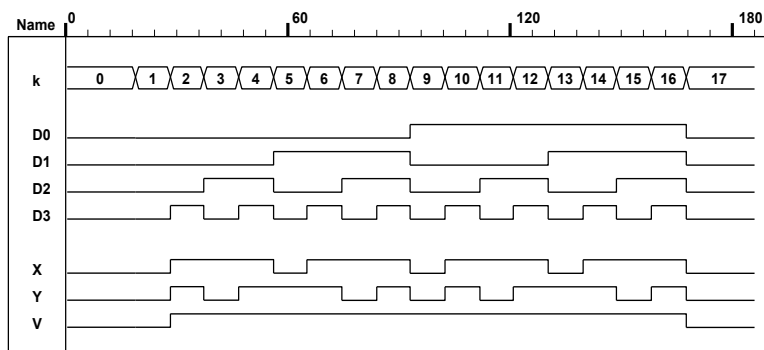
4'b0000: {X, Y, V} = 3'bxx0;
4'b1000: {X, Y, V} = 3'b001;
4'bx100: {X, Y, V} = 3'b011;
4'bxx10: {X, Y, V} = 3'b101;
4'bxxx1: {X, Y, V} = 3'b111;
default: {X, Y, V} = 3'b000;
endcase
end
endmodule

module t_priority_encoder_beh (); // V2001
wire X, Y, V;
reg D0, D1, D2, D3;
integer k;

priority_encoder_beh M0 (X, Y, V, D0, D1, D2, D3);

initial #200 $finish;
initial begin
k = 32'bx;
#10 for (k = 0; k <= 16; k = k + 1) #10 {D0, D1, D2, D3} = k;
end
endmodule

```



4.46

(a)

$F = \Sigma(0, 2, 5, 7, 11, 14)$   
See code below.

(b) From prob 4.32:

$$F = \Pi(3, 8, 12) = (A' + B' + C + D)(A + B' + C' + D')(A + B + C' + D')$$

$$F' = ABC'D' + A'B'CD + A'B'CD = \Sigma(12, 7, 3)$$

$$F = \Sigma(0, 1, 2, 4, 5, 6, 8, 9, 10, 11, 13, 14, 15)$$

```

module Prob_4_46a (output F, input A, B, C, D);
assign F = (~A&~B&~C&~D) | (~A&~B&C&~D) | (~A&B&~C&D) | (A&~B&C&D) |
(A&B&C&~D);
endmodule

```

```

module Prob_4_46b (output F, input A, B, C, D);
assign F = (~A&~B&~C&~D) | (~A&~B&~C&D) | (~A&~B&C&~D) | (~A&B&~C&D) |
(~A&B&C&~D) | (A&~B&~C&~D) | (A&~B&~C&D) | (A&~B&C&~D) | (A&~B&C&D) |
(A&B&~C&~D) | (A&B&C&~D);
endmodule

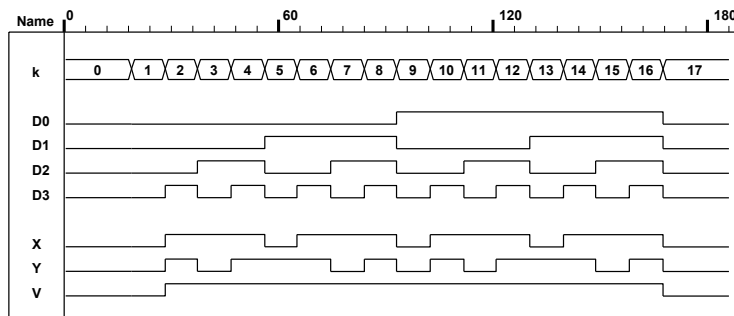
```

```

module t_Prob_4_46a ();
wire F_a, F_b;
reg A, B, C, D;
integer k;
 Prob_4_46a M0 (F_a, A, B, C, D);
 Prob_4_46b M1 (F_b, A, B, C, D);

initial #200 $finish;
initial begin
 k = 0;
 #10 repeat (15) begin {A, B, C, D} = k; #10 k = k + 1; end
end
endmodule

```



4.47

```

module Add_Sub_4_bit_Dataflow (
 output [3: 0] S,
 output C, V,
 input [3: 0] A, B,
 input M
);
 wire C3;

 assign {C3, S[2: 0]} = A[2: 0] + ((M, M, M) ^ B[2: 0]) + M;
 assign {C, S[3]} = A[3] + M ^ B[3] + C3;
 assign V = C ^ C3;
endmodule

```

```

module t_Add_Sub_4_bit_Dataflow ();
 wire [3: 0] S;
 wire C, V;
 reg [3: 0] A, B;
 reg M;

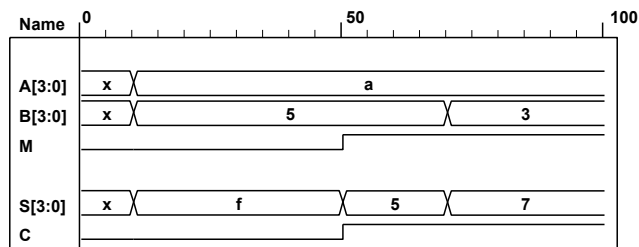
 Add_Sub_4_bit_Dataflow M0 (S, C, V, A, B, M);

```

```

initial #100 $finish;
initial fork
 #10 M = 0;
 #10 A = 4'hA;
 #10 B = 4'h5;
 #50 M = 1;
 #70 B = 4'h3;
join
endmodule

```



4.48

```

module ALU_3state (output [7: 0] y_tri, input [7: 0] A, B, input [2: 0] Sel, input En);
 reg [7: 0] y;
 assign y_tri = En ? y : 8'bz;
 always @ (A, B, Sel) begin
 y = 0;
 case (Sel)
 3'b000: y = 8'b0;
 3'b001: y = A & B;
 3'b010: y = A | B;
 3'b011: y = A ^ B;
 3'b100: y = A + B;
 3'b101: y = A - B;
 3'b110: y = ~A;
 3'b111: y = 8'hFF;
 endcase
 end

```

```

endmodule

module t_ALU_3state ();
wire[7: 0] y;
reg [7: 0] A, B;
reg [2: 0] Sel;
reg En;

ALU_3state M0 (y, A, B, Sel, En);

initial #200 $finish;
initial fork
 #5 En = 1;

 #5 begin A = 8'hAA; B = 8'h55; end // Expect y = 8'd0
 #10 begin Sel = 3'b000; A = 8'hAA; B = 8'h55; end // y = 8'b000 Expect y = 8'd0
 #20 begin Sel = 3'b001; A = 8'hAA; B = 8'hAA; end // y = A & B Expect y = 8'hAA = 8'1010_1010
 #30 begin Sel = 3'b001; A = 8'h55; B = 8'h55; end // y = A & B Expect y = 8'h55 = 8'b0101_0101
 #40 begin Sel = 3'b010; A = 8'h55; B = 8'h55; end // y = A | B Expect y = 8'h55 = 8'b0101_0101
 #50 begin Sel = 3'b010; A = 8'hAA; B = 8'hAA; end // y = A | B Expect y = 8'hAA = 8'b1010_1010
 #60 begin Sel = 3'b011; A = 8'h55; B = 8'h55; end // y = A ^ B Expect y = 8'd0
 #70 begin Sel = 3'b011; A = 8'hAA; B = 8'h55; end // y = A ^ B Expect y = 8'hFF = 8'b1111_1111
 #80 begin Sel = 3'b100; A = 8'h55; B = 8'h00; end // y = A + B Expect y = 8'h55 = 8'b0101_0101
 #90 begin Sel = 3'b100; A = 8'hAA; B = 8'h55; end // y = A + B Expect y = 8'hFF = 8'b1111_1111
 #100 En = 0;
 #115 En = 1;
 #110 begin Sel = 3'b101; A = 8'hAA; B = 8'h55; end // y = A - B Expect y = 8'h55 = 8'b0101_0101
 #120 begin Sel = 3'b101; A = 8'h55; B = 8'hAA; end // y = A - B Expect y = 8'hAB = 8'b1010_1011
 #130 begin Sel = 3'b110; A = 8'hFF; end // y = ~A Expect y = 8'd0
 #140 begin Sel = 3'b110; A = 8'd0; end // y = ~A Expect y = 8'hFF = 8'b1111_1111
 #150 begin Sel = 3'b110; A = 8'hFF; end // y = ~A Expect y = 8'd0
 #160 begin Sel = 3'b111; end // y = 8'hFF Expect y = 8'hFF = 8'b1111_1111
join
endmodule

```

## 4.49

```

// See Problem 4.1
module Problem_4_49_Gates (output F1, F2, input A, B, C, D);
wire A_bar = !A;
wire B_bar = !B;

and (T1, B_bar, C);
and (T2, A_bar, B);
or (T3, A, T1);
xor (T4, T2, D);
or (F1, T3, T4);
or (F2, T2, D);
endmodule

module Problem_4_49_Boolean_1 (output F1, F2, input A, B, C, D);
wire A_bar = !A;
wire B_bar = !B;
wire T1 = B_bar && C;
wire T2 = A_bar && B;
wire T3 = A || T1;
wire T4 = T2 ^ D;
assign F1 = T3 || T4;
assign F2 = T2 || D;
endmodule

module Problem_4_49_Boolean_2 (output F1, F2, input A, B, C, D);
assign F1 = A || (!B && C) || (B && (!D)) || (!B && D);
assign F2 = (!(A) && B) || D;
endmodule

```

```

module t_Problem_4_49;
reg A, B, C, D;
wire F1_Gates, F2_Gates;
wire F1_Boolean_1, F2_Boolean_1;
wire F1_Boolean_2, F2_Boolean_2;

Problem_4_48_Gates M0 (F1_Gates, F2_Gates, A, B, C, D);
Problem_4_48_Boolean_1 M1 (F1_Boolean_1, F2_Boolean_1, A, B, C, D);
Problem_4_48_Boolean_2 M2 (F1_Boolean_2, F2_Boolean_2, A, B, C, D);

initial #100 $finish;
integer K;
initial begin
 for (K = 0; K < 16; K = K + 1) begin {A, B, C, D} = K; #5; end
end
endmodule

```

#### 4.50 (a) 84-2-1 to BCD code converter

```

// See Problem 4.8 and Table 1.5.
// Verilog 1995

```

```

// module Prob_4_50a (Code_BCD, Code84_m2_m1);
// output [3: 0] Code_BCD;
// input [3:0];
// reg [3: 0] Code_BCD;
// ...

```

```

// Verilog 2001, 2005

```

```

module Prob_4_50a (output reg [3: 0] Code_BCD, input [3: 0] Code_84_m2_m1);

```

```

always @ (Code_84_m2_m1) // always @ (A or B or C or D)
case (Code_84_m2_m1)
 4'b0000: Code_BCD = 4'b0000; // 0
 4'b0111: Code_BCD = 4'b0001; // 1
 4'b0110: Code_BCD = 4'b0010; // 2
 4'b0101: Code_BCD = 4'b0011; // 3
 4'b0100: Code_BCD = 4'b0100; // 4
 4'b1011: Code_BCD = 4'b0101; // 5
 4'b1010: Code_BCD = 4'b0110; // 6
 4'b1001: Code_BCD = 4'b0111; // 7
 4'b1000: Code_BCD = 4'b1000; // 8
 4'b1111: Code_BCD = 4'b1001; // 9

 4'b0001: Code_BCD = 4'b1010; // 10
 4'b0010: Code_BCD = 4'b1011; // 11
 4'b0011: Code_BCD = 4'b1100; // 12
 4'b1100: Code_BCD = 4'b1101; // 13
 4'b1101: Code_BCD = 4'b1110; // 14
 4'b1110: Code_BCD = 4'b1111; // 15
endcase
endmodule

```

```

module t_Prob_4_50a;
wire [3: 0] Code_BCD;
reg [3: 0] Code_84_m2_m1;
integer K;

```

```

Prob_4_50a M0 (Code_BCD, Code_84_m2_m1); // Unit under test (UUT)

```

```

initial #100 $finish;
initial begin
 for (K = 0; K < 16; K = K + 1) begin Code_84_m2_m1 = K; #5; end
end

```

**endmodule**

(b) 84-2-1 to Gray code converter

```
module Prob_4_50b (output reg [3: 0] Code_BCD, input [3: 0] Code_84_m2_m1);
```

```
always @ (Code_84_m2_m1)
```

```
case (Code_84_m2_m1)
 4'b0000: Code_Gray = 4'b0000; // 0
 4'b0111: Code_Gray = 4'b0001; // 1
 4'b0110: Code_Gray = 4'b0011; // 2
 4'b0101: Code_Gray = 4'b0010; // 3
 4'b0100: Code_Gray = 4'b0110; // 4
 4'b1011: Code_Gray = 4'b0111; // 5
 4'b1010: Code_Gray = 4'b0101; // 6
 4'b1001: Code_Gray = 4'b0100; // 7
 4'b1000: Code_Gray = 4'b1100; // 8
 4'b1111: Code_Gray = 4'b1101; // 9
```

```

 4'b0001: Code_Gray = 4'b1111; // 10
 4'b0010: Code_Gray = 4'b1110; // 11
 4'b0011: Code_Gray = 4'b1010; // 12
 4'b1100: Code_Gray = 4'b1011; // 13
 4'b1101: Code_Gray = 4'b1001; // 14
 4'b1110: Code_Gray = 4'b1000; // 15
endcase
```

**endmodule**

```
module t_Prob_4_50b;
```

```
wire [3: 0] Code_Gray;
```

```
reg [3: 0] Code_84_m2_m1;
```

```
integer K;
```

```
Prob_4_50b M0 (Code_Gray, Code_84_m2_m1); // Unit under test (UUT)
```

```
initial #100 $finish;
```

```
initial begin
```

```
 for (K = 0; K < 16; K = K + 1) begin Code_84_m2_m1 = K; #5; end
```

```
end
```

**endmodule**

4.51 Assume that that the LEDs are asserted when the output is high.

```
module Seven_Seg_Display_V2001 (
 output reg [6: 0] Display,
 input [3: 0] BCD
);

// abc_defg
parameter BLANK = 7'b000_0000;
parameter ZERO = 7'b111_1110; // h7e
parameter ONE = 7'b011_0000; // h30
parameter TWO = 7'b110_1101; // h6d
parameter THREE = 7'b111_1001; // h79
parameter FOUR = 7'b011_0011; // h33
```

```

parameter FIVE = 7'b101_1011; // h5b
parameter SIX = 7'b101_1111; // h5f
parameter SEVEN = 7'b111_0000; // h70
parameter EIGHT = 7'b111_1111; // h7f
parameter NINE = 7'b111_1011; // h7b

always @ (BCD)
case (BCD)
0: Display = ZERO;
1: Display = ONE;
2: Display = TWO;
3: Display = THREE;
4: Display = FOUR;
5: Display = FIVE;
6: Display = SIX;
7: Display = SEVEN;
8: Display = EIGHT;
9: Display = NINE;
default: Display = BLANK;
endcase
endmodule

module t_Seven_Seg_Display_V2001 ();
wire [6: 0] Display;
reg [3: 0] BCD;

parameter BLANK = 7'b000_0000;
parameter ZERO = 7'b111_1110; // h7e
parameter ONE = 7'b011_0000; // h30
parameter TWO = 7'b110_1101; // h6d
parameter THREE = 7'b111_1001; // h79
parameter FOUR = 7'b011_0011; // h33
parameter FIVE = 7'b101_1011; // h5b
parameter SIX = 7'b001_1111; // h1f
parameter SEVEN = 7'b111_0000; // h70
parameter EIGHT = 7'b111_1111; // h7f
parameter NINE = 7'b111_1011; // h7b

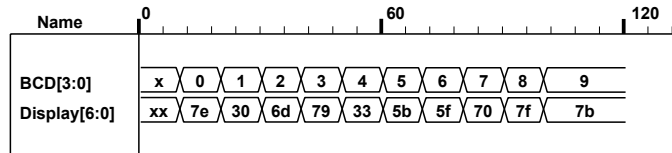
initial #120 $finish;
initial fork
#10 BCD = 0;
#20 BCD = 1;
#30 BCD = 2;
#40 BCD = 3;
#50 BCD = 4;
#60 BCD = 5;
#70 BCD = 6;
#80 BCD = 7;
#90 BCD = 8;
#100 BCD = 9;

join

Seven_Seg_Display_V2001 M0 (Display, BCD);
endmodule

```





Alternative with continuous assignments (dataflow):

```

module Seven_Seg_Display_V2001_CA (
 output [6:0] Display,
 input [3:0] BCD
);

// abc_defg
parameter BLANK = 7'b000_0000;
parameter ZERO = 7'b111_1110; // h7e
parameter ONE = 7'b011_0000; // h30
parameter TWO = 7'b110_1101; // h6d
parameter THREE = 7'b111_1001; // h79
parameter FOUR = 7'b011_0011; // h33
parameter FIVE = 7'b101_1011; // h5b
parameter SIX = 7'b101_1111; // h5f
parameter SEVEN = 7'b111_0000; // h70
parameter EIGHT = 7'b111_1111; // h7f
parameter NINE = 7'b111_1011; // h7b
wire A, B, C, D, a, b, c, d, e, f, g;

assign A = BCD[3];
assign B = BCD[2];
assign C = BCD[1];
assign D = BCD[0];
assign Display = {a,b,c,d,e,f,g};
assign a = (~A)&C | (~A)&B&D | (~B)&(~C)&(~D) | A & (~B)&(~C);
assign b = (~A)&(~B) | (~A)&(~C)&(~D) | (~A)&C&D | A&(~B)&(~C);
assign c = (~A)&B | (~A)&D | (~B)&(~C)&(~D) | A&(~B)&(~C);
assign d = (~A)&C&(~D) | (~A)&(~B)&C | (~B)&(~C)&(~D) | A&(~B)&(~C);
assign e = (~A)&C&(~D) | (~B)&(~C)&(~D);
assign f = (~A)&B&(~C) | (~A)&(~C)&(~D) | (~A)&B&(~D) | A&(~B)&(~C);
assign g = (~A)&C&(~D) | (~A)&(~B)&C | (~A)&B&(~C) | A&(~B)&(~C);
endmodule

module t_Seven_Seg_Display_V2001_CA ();
 wire [6:0] Display;
 reg [3:0] BCD;

 parameter BLANK = 7'b000_0000;
 parameter ZERO = 7'b111_1110; // h7e
 parameter ONE = 7'b011_0000; // h30
 parameter TWO = 7'b110_1101; // h6d
 parameter THREE = 7'b111_1001; // h79
 parameter FOUR = 7'b011_0011; // h33
 parameter FIVE = 7'b101_1011; // h5b
 parameter SIX = 7'b001_1111; // h1f
 parameter SEVEN = 7'b111_0000; // h70
 parameter EIGHT = 7'b111_1111; // h7f
 parameter NINE = 7'b111_1011; // h7b

 initial #120 $finish;
 initial fork

```

```
#10 BCD = 0;
#20 BCD = 1;
#30 BCD = 2;
#40 BCD = 3;
#50 BCD = 4;
#60 BCD = 5;
#70 BCD = 6;
#80 BCD = 7;
#90 BCD = 8;
#100 BCD = 9;
```

**join**

```
Seven_Seg_Display_V2001_CA M0 (Display, BCD);
endmodule
```

## 4.52 (a) Incrementer for unsigned 4-bit numbers

```

module Problem_4_52a_Data_Flow (output [3: 0] sum, output carry, input [3: 0] A);
 assign {carry, sum} = A + 1;
endmodule

```

```

module t_Problem_4_52a_Data_Flow;
 wire [3: 0] sum;
 wire carry;
 reg [3: 0] A;

 Problem_4_52a_Data_Flow M0 (sum, carry, A);

 initial # 100 $finish;
 integer K;
 initial begin
 for (K = 0; K < 16; K = K + 1) begin A = K; #5; end
 end
endmodule

```

## (b) Decrementer for unsigned 4-bit numbers

```

module Problem_4_52b_Data_Flow (output [3: 0] diff, output borrow, input [3: 0] A);
 assign {borrow, diff} = A - 1;
endmodule

```

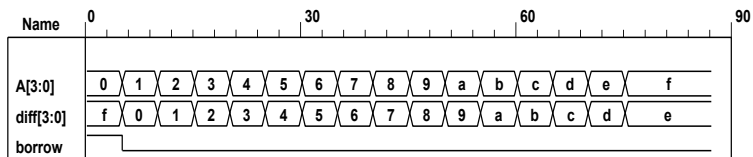
```

module t_Problem_4_52b_Data_Flow;
 wire [3: 0] diff;
 wire borrow;
 reg [3: 0] A;

 Problem_4_52b_Data_Flow M0 (diff, borrow, A);

 initial # 100 $finish;
 integer K;
 initial begin
 for (K = 0; K < 16; K = K + 1) begin A = K; #5; end
 end
endmodule

```



```

4.53 // BCD Adder
module Problem_4_53_BCD_Adder (
 output Output_carry,
 output [3: 0] Sum,
 input [3: 0] Addend, Augend,
 input Carry_in;
 supply0 gnd;
 wire [3: 0] Z_Addend;
 wire Carry_out;
 wire C_out;
 assign Z_Addend = {1'b0, Output_carry, Output_carry, 1'b0};
 wire [3: 0] Z_sum;

 and (w1, Z_sum[3], Z_sum[2]);
 and (w2, Z_sum[3], Z_sum[1]);
 or (Output_carry, Carry_out, w1, w2);

 Adder_4_bit M0 (Carry_out, Z_sum, Addend, Augend, Carry_in);
 Adder_4_bit M1 (C_out, Sum, Z_Addend, Z_sum, gnd);
endmodule

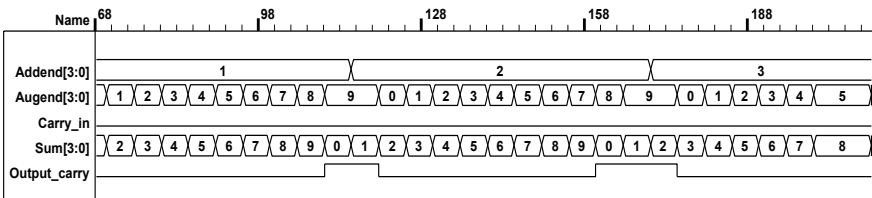
module Adder_4_bit (output carry, output [3:0] sum, input [3: 0] a, b, input c_in);
 assign {carry, sum} = a + b + c_in;
endmodule

module t_Problem_4_53_Data_Flow;
 wire [3: 0] Sum;
 wire Output_carry;
 reg [3: 0] Addend, Augend;
 reg Carry_in;

 Problem_4_53_BCD_Adder M0 (Output_carry, Sum, Addend, Augend, Carry_in);

 initial # 1500 $finish;
 integer i, j, k;
 initial begin
 for (i = 0; i <= 1; i = i + 1) begin Carry_in = i; #5;
 for (j = 0; j <= 9; j = j + 1) begin Addend = j; #5;
 for (k = 0; k <= 9; k = k + 1) begin Augend = k; #5;
 end
 end
 end
 end
 end
endmodule

```



4.54

```

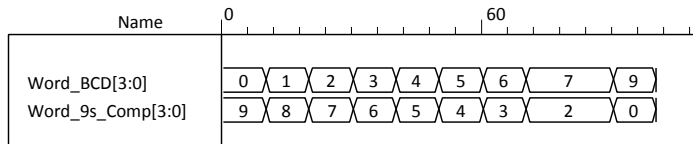
(a) 9s Complement of BCD
module Nines_Complementer (// V2001
 output reg [3: 0] Word_9s_Comp,
 input [3: 0] Word_BCD
);
always @ (Word_BCD) begin
 Word_9s_Comp = 4'b0;
 case (Word_BCD)
 4'b0000: Word_9s_Comp = 4'b1001; // 0 to 9
 4'b0001: Word_9s_Comp = 4'b1000; // 1 to 8
 4'b0010: Word_9s_Comp = 4'b0111; // 2 to 7
 4'b0011: Word_9s_Comp = 4'b0110; // 3 to 6
 4'b0100: Word_9s_Comp = 4'b0101; // 4 to 5
 4'b0101: Word_9s_Comp = 4'b0100; // 5 to 4
 4'b0110: Word_9s_Comp = 4'b0011; // 6 to 3
 4'b0111: Word_9s_Comp = 4'b0010; // 7 to 2
 4'b1000: Word_9s_Comp = 4'b0001; // 8 to 1
 4'b1001: Word_9s_Comp = 4'b0000; // 9 to 0
 default: Word_9s_Comp = 4'b1111; // Error detection
 endcase
end
endmodule

module t_Nines_Complementer ();
 wire [3: 0] Word_9s_Comp;
 reg [3: 0] Word_BCD;

 Nines_Complementer M0 (Word_9s_Comp, Word_BCD);

initial #11$finish;
initial fork
 Word_BCD = 0;
 #10 Word_BCD = 1;
 #20 Word_BCD = 2;
 #30 Word_BCD = 3;
 #40 Word_BCD = 4;
 #50 Word_BCD = 5;
 #60 Word_BCD = 6;
 #70 Word_BCD = 7;
 #20 Word_BCD = 8;
 #90 Word_BCD = 9;
 #100 Word_BCD = 4'b1100; // Confirm error detection
join
endmodule

```



(b) 9s complement of Gray Code

```

module Nines_Complementer (// V2001
 output reg [3: 0] Word_9s_Comp,
 input [3: 0] Word_Gray
);
always @ (Word_Gray) begin
 Word_9s_Comp = 4'b0;
 case (Word_Gray)
 4'b0000: Word_9s_Comp = 4'b1101; // 0 to 9
 4'b0001: Word_9s_Comp = 4'b1100; // 1 to 8
 4'b0010: Word_9s_Comp = 4'b0100; // 2 to 7
 4'b0011: Word_9s_Comp = 4'b0101; // 3 to 6
 4'b0100: Word_9s_Comp = 4'b0111; // 4 to 5
 4'b0101: Word_9s_Comp = 4'b0110; // 5 to 4
 4'b0110: Word_9s_Comp = 4'b0010; // 6 to 3
 4'b0111: Word_9s_Comp = 4'b0011; // 7 to 2
 4'b1000: Word_9s_Comp = 4'b0001; // 8 to 1
 4'b1001: Word_9s_Comp = 4'b0000; // 9 to 0
 default: Word_9s_Comp = 4'b1111; // Error detection
 endcase
end
endmodule

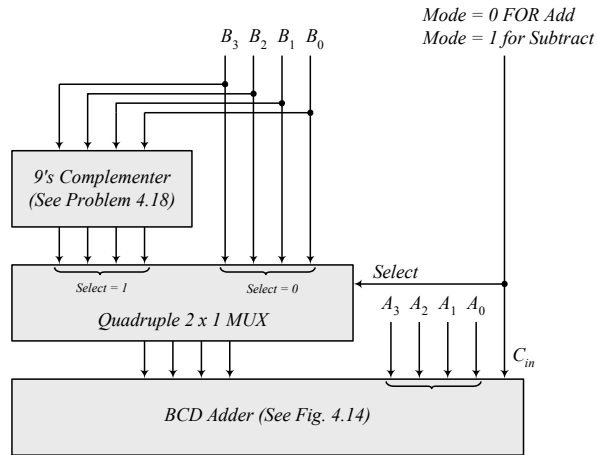
module t_Nines_Complementer ();
 wire [3: 0] Word_9s_Comp;
 reg [3: 0] Word_Gray;

 Nines_Complementer M0 (Word_9s_Comp, Word_Gray);

 initial #11$finish;
 initial fork
 Word_Gray = 0;
 #10 Word_Gray = 1;
 #20 Word_Gray = 2;
 #30 Word_Gray = 3;
 #40 Word_Gray = 4;
 #50 Word_Gray = 5;
 #60 Word_Gray = 6;
 #70 Word_Gray = 7;
 #20 Word_Gray = 8;
 #90 Word_Gray = 9;
 #100 Word_Gray = 4'b1100; // Confirm error detection
 join
endmodule

```

4.55 From Problem 4.19:



```
// BCD Adder – Subtractor
module Problem_4_55_BCD_Adder_Subtractor (
 output [3:0] BCD_Sum_Diff,
 output Carry_Borrow,
 input [3:0] B, A,
 input Mode
);
 wire [3:0] Word_9s_Comp, mux_out;
 Nines_Complementer M0 (Word_9s_Comp, B);
 Quad_2_x_1_mux M2 (mux_out, Word_9s_Comp, B, Mode);
 BCD_Adder M1 (Carry_Borrow, BCD_Sum_Diff, mux_out, A, Mode);
endmodule

module Nines_Complementer (// V2001
 output reg [3:0] Word_9s_Comp,
 input [3:0] Word_BCD
);
 always @ (Word_BCD) begin
 Word_9s_Comp = 4'b0;
 case (Word_BCD)
 4'b0000: Word_9s_Comp = 4'b1001; // 0 to 9
 4'b0001: Word_9s_Comp = 4'b1000; // 1 to 8
 4'b0010: Word_9s_Comp = 4'b0111; // 2 to 7
 4'b0011: Word_9s_Comp = 4'b0110; // 3 to 6
 4'b0100: Word_9s_Comp = 4'b1001; // 4 to 5
 4'b0101: Word_9s_Comp = 4'b0100; // 5 to 4
 4'b0110: Word_9s_Comp = 4'b0011; // 6 to 3
 4'b0111: Word_9s_Comp = 4'b0010; // 7 to 2
 4'b1000: Word_9s_Comp = 4'b0001; // 8 to 1
 4'b1001: Word_9s_Comp = 4'b0000; // 9 to 0
 default: Word_9s_Comp = 4'b1111; // Error detection
 endcase
 end
endmodule
```

```

module Quad_2_x_1_mux (output reg [3: 0] mux_out, input [3: 0] b, a, input select);
always @ (a, b, select)
 case (select)
 0: mux_out = a;
 1: mux_out = b;
 endcase
endmodule

module BCD_Adder (
 output Output_carry,
 output [3: 0] Sum,
 input [3: 0] Addend, Augend,
 input Carry_in);
supply0 gnd;
wire [3: 0] Z_Addend;
wire Carry_out;
wire C_out;
assign Z_Addend = {1'b0, Output_carry, Output_carry, 1'b0};
wire [3: 0] Z_sum;

 and (w1, Z_sum[3], Z_sum[2]);
 and (w2, Z_sum[3], Z_sum[1]);
 or (Output_carry, Carry_out, w1, w2);

 Adder_4_bit M0 (Carry_out, Z_sum, Addend, Augend, Carry_in);
 Adder_4_bit M1 (C_out, Sum, Z_Addend, Z_sum, gnd);
endmodule

module Adder_4_bit (output carry, output [3:0] sum, input [3: 0] a, b, input c_in);
 assign {carry, sum} = a + b + c_in;
endmodule

module t_Problem_4_55_BCD_Adder_Subtractor();
wire [3: 0] BCD_Sum_Diff;
wire Carry_Borrow;
reg [3: 0] B, A;
reg Mode;

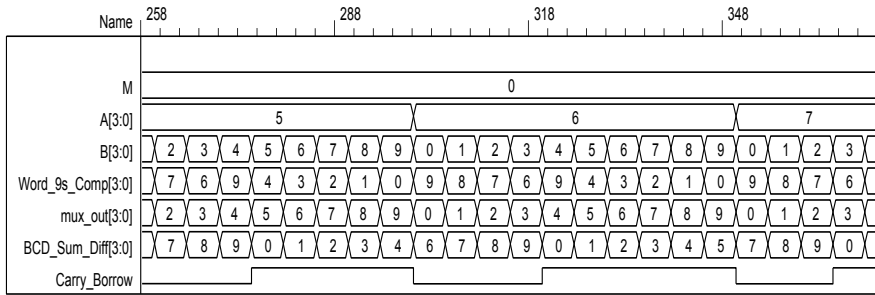
 Problem_4_55_BCD_Adder_Subtractor M0 (BCD_Sum_Diff, Carry_Borrow, B, A, Mode);

 initial #1000 $finish;

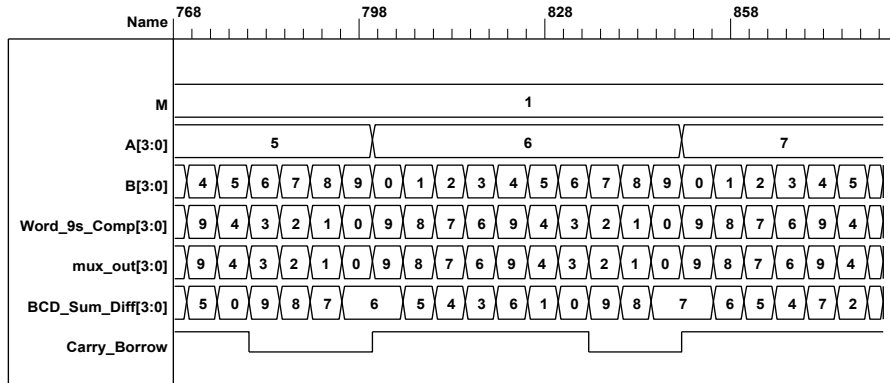
 integer J, K, M;
 initial begin
 for (M = 0; M < 2; M = M + 1) begin
 for (J = 0; J < 10; J = J + 1) begin
 for (K = 0; K < 10; K = K + 1) begin
 A = J; B = K; Mode = M; #5 ;
 end
 end
 end
 endmodule

```





Note: For subtraction, Carry\_Borrow = 1 indicates a positive result; Carry\_Borrow = 0 indicates a negative result.



4.56

```
assign match = (A == B); // Assumes reg [3: 0] A, B;
```

4.57

```
// Priority encoder (See Problem 4.29)
// Caution: do not confuse logic value x with identifier x.
// Verilog 1995

module Prob_4_57 (x, y, v, D3, D2, D1, D0);
output x, y, v;
input D3, D2, D1, D0;
reg x, y, v;
...

// Verilog 2001, 2005

module Prob_4_57 (output reg x, y, v, input D3, D2, D1, D0);
always @ (D3, D2, D1, D0) begin // always @ (D3 or D2 or D1 or D0)
x = 0;
y = 0;
v = 0;
casex ({D3, D2, D1, D0})
4'b0000: {x, y, v} = 3'bxx0;
4'bxxx1: {x, y, v} = 3'b001;
4'bxx10: {x, y, v} = 3'b011;
4'bx100: {x, y, v} = 3'b101;
4'b1000: {x, y, v} = 3'b110;
endcase
end
endmodule

module t_Prob_4_57;
wire x, y, v;
reg D3, D2, D1, D0;
integer K;
Prob_4_57 M0 (x, y, v, D3, D2, D1, D0);
initial #100 $finish;
initial begin
for (K = 0; K < 16; K = K + 1) begin {D3, D2, D1, D0} = K; #5 ; end
end
endmodule
```

4.58

```

(a)
//module shift_right_by_3_V2001 (output [31: 0] sig_out, input [31: 0] sig_in);
// assign sig_out = sig_in >>> 3;
//endmodule

module shift_right_by_3_V1995 (output reg [31: 0] sig_out, input [31: 0] sig_in);
 always @ (sig_in)
 sig_out = {sig_in[31], sig_in[31], sig_in[31], sig_in[31: 3]};
endmodule

module t_shift_right_by_3 ();
 wire [31: 0] sig_out_V1995;
 wire [31: 0] sig_out_V2001;

 reg [31: 0] sig_in;

 //shift_right_by_3_V2001 M0 (sig_out_V2001, sig_in);

 shift_right_by_3_V1995 M1 (sig_out_V1995, sig_in);
 integer k;
 initial #1000 $finish;
 initial begin
 sig_in = 32'hf000_0000;
 #100 sig_in = 32'h8fff_ffff;
 #500 sig_in = 32'h0fff_ffff;
 end
endmodule

```

| Name                | 609                                  | 619 | 629 | 639 |
|---------------------|--------------------------------------|-----|-----|-----|
| sig_in[31:0]        | 000011111111111111111111111111111111 |     |     |     |
| sig_out_V1995[31:0] | 000000011111111111111111111111111111 |     |     |     |

| Name                | 34                                   | 44 | 54 | 64 |
|---------------------|--------------------------------------|----|----|----|
| sig_in[31:0]        | 111100000000000000000000000000000000 |    |    |    |
| sig_out_V1995[31:0] | 111111000000000000000000000000000000 |    |    |    |

(b)

```

//module shift_left_by_3_V2001 (output [31: 0] sig_out, input [31: 0] sig_in);
 assign sig_out = sig_in <<< 3;

//module shift_left_by_3_V1995 (output reg [31: 0] sig_out, input [31: 0] sig_in);
 //always @ (sig_in)
 // sig_out = {sig_in[31: 3], 3'b0};
endmodule

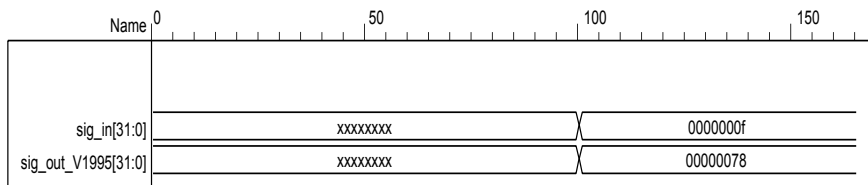
module t_shift_left_by_3 ();
 wire [31: 0] sig_out_V1995;
 wire [31: 0] sig_out_V2001;

 reg [31: 0] sig_in;

 shift_left_by_3_V2001 M0 (sig_out_V2001, sig_in);

 integer k;
 initial #1000 $finish;
 initial begin
 sig_in = 32'hf000_0000;
 #100 sig_in = 32'h8fff_ffff;
 #500 sig_in = 32'h0fff_ffff;
 end
endmodule

```



4.59

```
module BCD_to_Decimal (output reg [3: 0] Decimal_out, input [3: 0] BCD_in);
 always @ (BCD_in) begin
 Decimal_out = 0;
 case (BCD_in)
 4'b0000: Decimal_out = 0;
 4'b0001: Decimal_out = 1;
 4'b0010: Decimal_out = 2;
 4'b0011: Decimal_out = 3;
 4'b0100: Decimal_out = 4;
 4'b0101: Decimal_out = 5;
 4'b0110: Decimal_out = 6;
 4'b0111: Decimal_out = 7;
 4'b1000: Decimal_out = 8;
 4'b1001: Decimal_out = 9;
 default: Decimal_out = 4'bxxxx;
 endcase
 end
endmodule
```

4.60

```

module Even_Parity_Checker_4 (output P, C, input x, y, z);
 xor (w1, x, y);
 xor (P, w1, z);
 xor (C, w1, w2);
 xor (w2, z, P);
endmodule

```

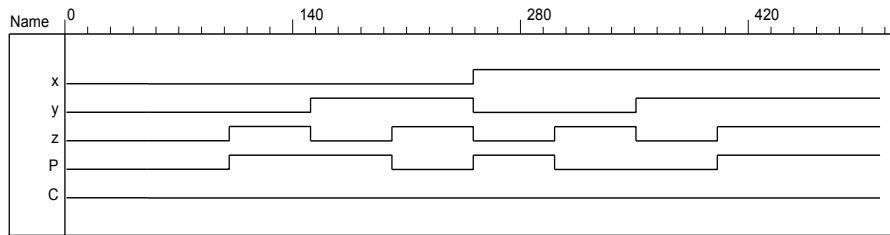
See Problem 4.62 for testbench and waveforms.

4.61

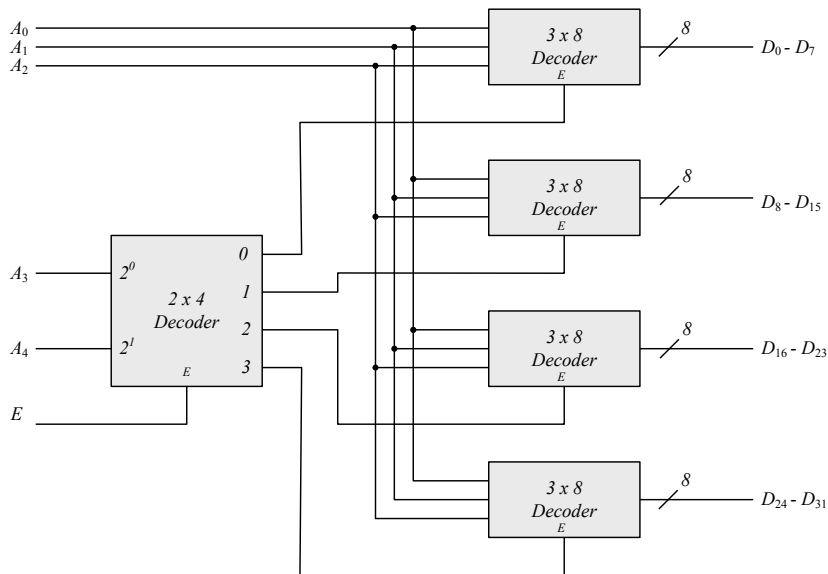
```

module Even_Parity_Checker_4 (output P, C, input x, y, z);
 assign w1 = x ^ y;
 assign P = w1 ^ z;
 assign C = w1 ^ w2;
 assign w2 = z ^ P;
endmodule

```



## 4.62



```

module Decoder_3x8 (output D7, D6, D5, D4, D3, D2, D1, D0, input in2, in1, in0, E);
 not (in2_bar, in2);
 not (in1_bar, in1);
 not (in0_bar, in0);
 and (D0, in2_bar, in1_bar, in0_bar, E);
 and (D1, in2_bar, in1_bar, in0, E);
 and (D2, in2_bar, in1, in0_bar, E);
 and (D3, in2_bar, in1, in0, E);
 and (D4, in2, in1_bar, in0_bar, E);
 and (D5, in2, in1_bar, in0, E);
 and (D6, in2, in1, in0_bar, E);
 and (D7, in2, in1, in0, E);
endmodule

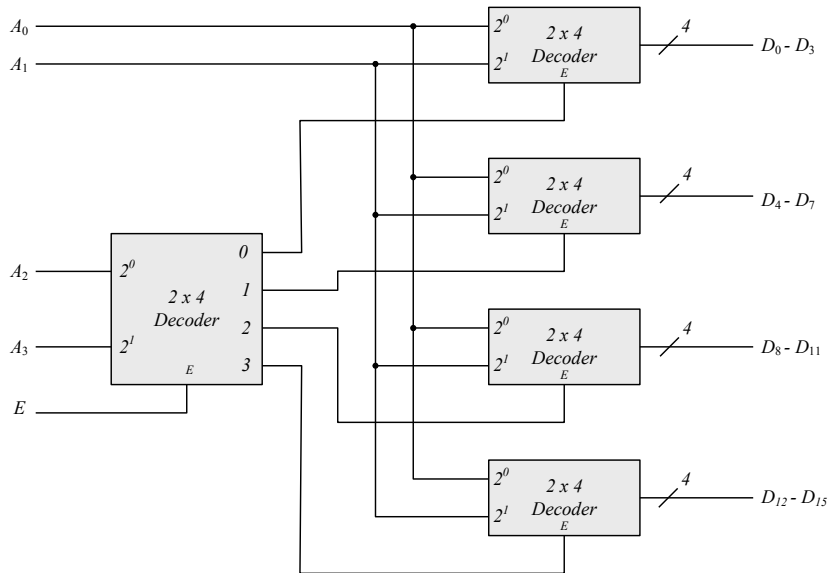
```

```

module Decoder_5x32 (
 output D31, D30, D29, D28, D27, D26, D25, D24, D23, D22, D21, D20, D19, D18, D17, D16,
 D15, D14, D13, D12, D11, D10, D9, D8, D7, D6, D5, D4, D3, D2, D1, D0,
 input A4, A3, A2, A1, A0, E;
 wire E3, E2, E1, E0;
 Decoder_3x8 M0 (D7, D6, D5, D4, D3, D2, D1, D0, A2, aA1, A0, E0);
 Decoder_3x8 M1 (D15, D14, D13, D12, D11, D10, D9, D8, A2, A1, A0, E1);
 Decoder_3x8 M2 (D23, D22, D21, D20, D19, D18, D17, D16, in2, in1, in0, E2);
 Decoder_3x8 M3 (D31, D30, D29, D28, D27, D26, D25, D24, A2, A1, A0, E3);
 Decoder_2x4 M4 (E3, E2, E1, E0, A4, A3, E);
endmodule

```

## 4.63



```

module Decoder_2x4 (output D3, D2, D1, D0, input in1, in0, E);
 not (in1_bar, in1);
 not (in0_bar, in0);
 and (D0, in1_bar, in0_bar, E);
 and (D1, in1_bar, in0, E);
 and (D2, in1, in0_bar, E);
 and (D3, in1, in0, E);
endmodule

```

```

module Decoder_4x16 (
 output D15, D14, D13, D12, D11, D10, D9, D8, D7, D6, D5, D4, D3, D2, D1, D0,
 input A3, A2, A1, A0, E);
 wire E3, E2, E1, E0;
 Decoder_2x4 M0 (output D3, D2, D1, D0, input in1, in0, E0);
 Decoder_2x4 M1 (output D7, D6, D5, D4, input in1, in0, E1);
 Decoder_2x4 M2 (output D11, D10, D9, D8, input in1, in0, E2);
 Decoder_2x4 M3 (output D15, D14, D13, D12, input in1, in0, E3);
 Decoder_2x4 M4 (output E3, E2, E1, E0, input A3, A2, E);
endmodule

```



## 4.64

| Inputs |       |       |       |       |       |       |       | Outputs |     |     |     |
|--------|-------|-------|-------|-------|-------|-------|-------|---------|-----|-----|-----|
| $D_0$  | $D_1$ | $D_2$ | $D_3$ | $D_4$ | $D_5$ | $D_6$ | $D_7$ | $x$     | $y$ | $z$ | $V$ |
| 0      | 0     | 0     | 0     | 0     | 0     | 0     | 0     | x       | x   | x   | 0   |
| 1      | 0     | 0     | 0     | 0     | 0     | 0     | 0     | 0       | 0   | 0   | 1   |
| x      | 1     | 0     | 0     | 0     | 0     | 0     | 0     | 0       | 0   | 1   | 1   |
| x      | x     | 1     | 0     | 0     | 0     | 0     | 0     | 0       | 1   | 0   | 1   |
| x      | x     | x     | 1     | 0     | 0     | 0     | 0     | 0       | 0   | 1   | 1   |
| x      | x     | x     | x     | 1     | 0     | 0     | 0     | 0       | 1   | 0   | 1   |
| x      | x     | x     | x     | x     | 1     | 0     | 0     | 0       | 1   | 0   | 1   |
| x      | x     | x     | x     | x     | x     | 1     | 0     | 0       | 1   | 0   | 1   |
| x      | x     | x     | x     | x     | x     | x     | 1     | 1       | 1   | 1   | 1   |

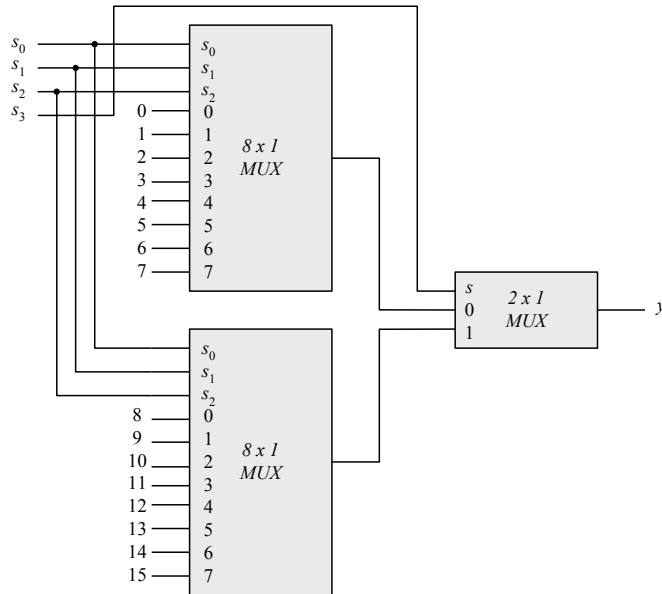
*If  $D_2 = 1$ ,  $D_6 = 1$ , all others = 0  
Output  $xyz = 100$  and  $V = 1$*

```
module Prob_4_64 (output x, y, z, V, input D0, D1, D2, D3, D4, D5, D6, D7);
```

```
always @(D0, D1, D2, D3, D4, D5, D6, D7)
case({D0, D1, D2, D3, D4, D5, D6, D7})
 8'b0000_0000: {x, y, z, V} = 4'bxxx0;
 8'b1000_0000: {x, y, z, V} = 4'b0001;
 8'b0100_0000: {x, y, z, V} = 4'b0011;
 8'b0010_0000: {x, y, z, V} = 4'b0101;

 8'b0001_0000: {x, y, z, V} = 4'b0111;
 8'b0000_1000: {x, y, z, V} = 4'b1001;
 8'b0000_0100: {x, y, z, V} = 4'b1011;
 8'b0000_0010: {x, y, z, V} = 4'b1001;
 8'b0000_0001: {x, y, z, V} = 4'b1111;
 default: {x, y, z, V} = 4'b1010; // Use for error detection
endcase
endmodule
```

4.65



```

module Mux_2x1 (
 output y_out,
 input in1, in0, sel;
 not (sel_bar, sel);
 and (y0, in0, sel);
 and (y1, in1, sel);
 or (y_out, in0, in1, sel_bar
);
endmodule

```

```

module Mux_4x1 (
 output y_out,
 input in3, in2, in1, in0, sel1, sel0;
 not (sel_1_bar, sel1);
 and (s0, sel_1_bar, sel0);
 and (s1, sel[1], sel0);
 Mux_2x1 M0 (y_M0, in0, in1, s0);
 Mux_2x1 M1 (y_M1, in2, in3, s1);
 or (y_out, y_M0, y_M1
);
endmodule

```

```

module Mux_8x1 (
 output y_out,
 input in7, in6, in5, in4, in3, in2, in1, in0, sel2, sel1, sel0
);
 Mux_4x1 M0 (y_M0, in3, in2, in1, in0, sel1, sel0);
 Mux_4x1 M1 (y_M1, in7, in6, in5, in4, sel1, sel0);
 Mux_2x1 M2 (y_out, y_M0, y_M1, sel2);
endmodule

```

```

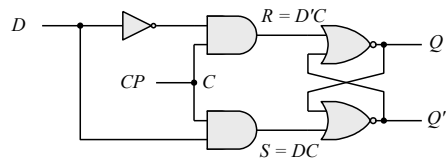
module Mux_16x1 (
 output y_out,

```

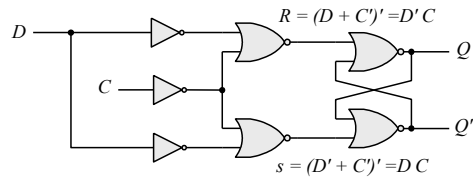
```
input in15, in14, in13, in12, in11, in10, in9, in8, in7, in6, in5, in4, in3, in2, in1, in0, sel3, sel2, sel1, sel0
);
Mux_8x1 M0 (y_M0, in7, in6, in5, in4, in3, in2, in1, in0, sel2, sel1, sel0);
Mux_8x1 M1 (y_M1, in15, in14, in13, in12, in11, in10, in9, in8, sel2, sel1, sel0);
Mux_2x1 M2 (y_out, y_M0, y_M1, sel3);
endmodule
```

## CHAPTER 5

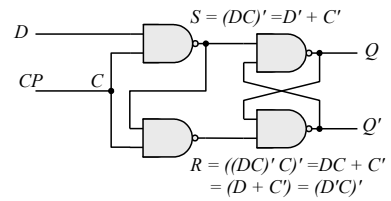
5.1 (a)



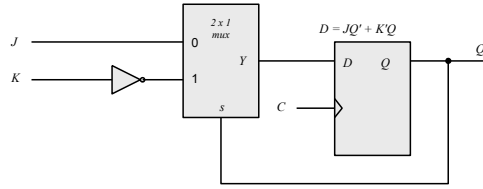
(b)



(c)

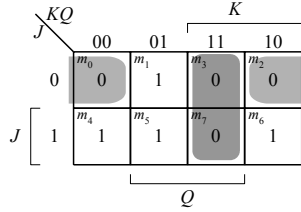


5.2



5.3

$$Q'(t+1) = (JQ' + K'Q)' = (J' + Q)(K + Q') = J'Q' + KQ$$



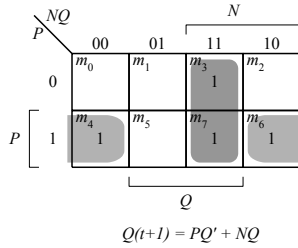
5.4

(a)

| P | N | Q(t+1) |
|---|---|--------|
| 0 | 0 | 0      |
| 0 | 1 | Q(t)   |
| 1 | 0 | Q'(t)  |
| 1 | 1 | 1      |

(b)

| P | N | Q(t) | Q(t+1) |
|---|---|------|--------|
| 0 | 0 | 0    | 0      |
| 0 | 0 | 1    | 0      |
| 0 | 1 | 0    | 0      |
| 0 | 1 | 1    | 1      |
| 1 | 0 | 0    | 1      |
| 1 | 0 | 1    | 0      |
| 1 | 1 | 0    | 1      |
| 1 | 1 | 1    | 1      |



(c)

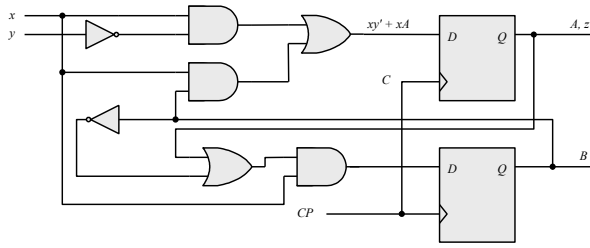
| Q(t) | Q(t+1) | P | N |
|------|--------|---|---|
| 0    | 0      | 0 | x |
| 0    | 1      | 1 | x |
| 1    | 0      | x | 0 |
| 1    | 1      | x | 1 |

(d) Connect P and N together.

5.5

The truth table describes a combinational circuit.  
 The state table describes a sequential circuit.  
 The characteristic table describes the operation of a flip-flop.  
 The excitation table gives the values of flip-flop inputs for a given state transition.  
 The four equations correspond to the algebraic expression of the four tables.

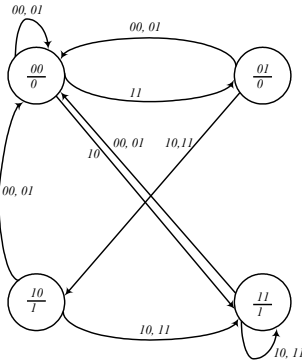
5.6



(b)  $A(t+1) = xy' + xB$   
 $B(t+1) = xA + xB'$   
 $z = A$

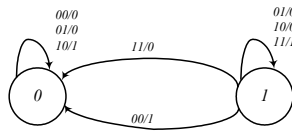
| Present state |   | Inputs |   | Next state |   | Output |   |
|---------------|---|--------|---|------------|---|--------|---|
| A             | B | x      | y | A          | B | z      |   |
| 0             | 0 | 0      | 0 | 0          | 0 | 0      | 0 |
| 0             | 0 | 0      | 1 | 0          | 0 | 0      | 0 |
| 0             | 0 | 1      | 0 | 1          | 1 | 0      | 0 |
| 0             | 0 | 1      | 1 | 0          | 1 | 0      | 0 |
| 0             | 1 | 0      | 0 | 0          | 0 | 0      | 0 |
| 0             | 1 | 0      | 1 | 0          | 0 | 0      | 0 |
| 0             | 1 | 1      | 0 | 1          | 0 | 0      | 0 |
| 0             | 1 | 1      | 1 | 1          | 0 | 0      | 0 |
| 1             | 0 | 0      | 0 | 0          | 0 | 1      | 1 |
| 1             | 0 | 0      | 1 | 0          | 0 | 1      | 1 |
| 1             | 0 | 1      | 0 | 1          | 1 | 1      | 1 |
| 1             | 0 | 1      | 1 | 1          | 1 | 1      | 1 |
| 1             | 1 | 0      | 0 | 0          | 0 | 1      | 1 |
| 1             | 1 | 0      | 1 | 0          | 0 | 1      | 1 |
| 1             | 1 | 1      | 0 | 1          | 1 | 1      | 1 |
| 1             | 1 | 1      | 1 | 1          | 1 | 1      | 1 |

(c)



5.7

| Present state | Inputs |   | Next state | Output |
|---------------|--------|---|------------|--------|
| Q             | x      | y | Q          | S      |
| 0             | 0      | 0 | 0          | 0      |
| 0             | 0      | 1 | 0          | 1      |
| 0             | 1      | 0 | 0          | 1      |
| 0             | 1      | 1 | 1          | 0      |
| 1             | 0      | 0 | 0          | 1      |
| 1             | 0      | 1 | 1          | 0      |
| 1             | 1      | 0 | 1          | 0      |
| 1             | 1      | 1 | 1          | 1      |



$S = x \oplus y \oplus Q$   
 $Q(t + 1) = xy + xQ + yQ$

5.8 A counter with a repeated sequence of 00, 01, 10.

| Present state |   | Next state |   | FF Inputs |       |
|---------------|---|------------|---|-----------|-------|
| A             | B | A          | B | $T_A$     | $T_B$ |
| 0             | 0 | 0          | 0 | 0         | 1     |
| 0             | 1 | 1          | 0 | 1         | 1     |
| 1             | 0 | 0          | 0 | 1         | 0     |
| 1             | 1 | 0          | 0 | 1         | 1     |

$$T_A = A + B$$

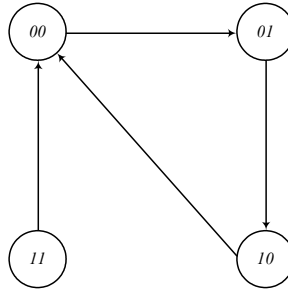
$$T_B = A' + B$$

Repeated sequence:

```

 00 → 01 → 10 →

```



5.9

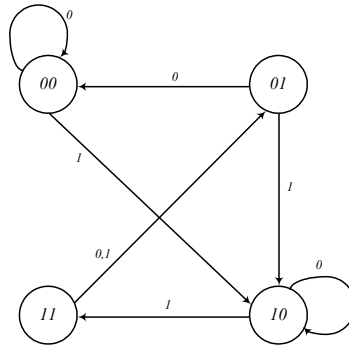
$$J_A = x \quad K_A = B$$

$$J_B = x \quad K_B = A'$$

$$A(t+1) = J_A A' + K_A A = xA' + B'A$$

$$B(t+1) = J_B B' + K_B B = xB' + AB$$

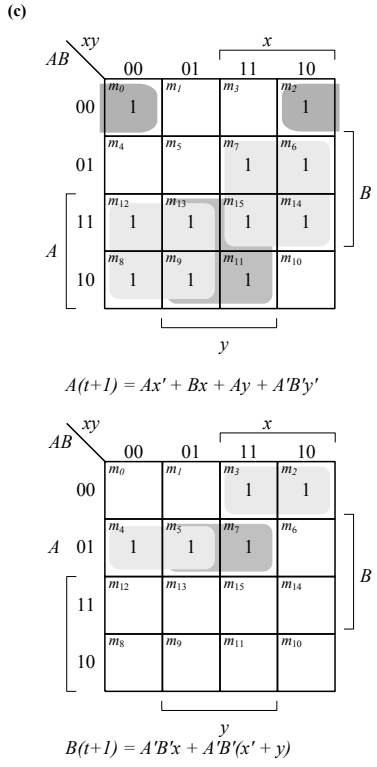
| x | A | B | $xA' + B'A$ | $xB' + AB$ |
|---|---|---|-------------|------------|
| 0 | 0 | 0 | 0           | 0          |
| 0 | 0 | 1 | 0           | 0          |
| 0 | 1 | 0 | 1           | 0          |
| 0 | 1 | 1 | 0           | 1          |
| 1 | 0 | 0 | 1           | 1          |
| 1 | 0 | 1 | 1           | 0          |
| 1 | 1 | 0 | 1           | 1          |
| 1 | 1 | 1 | 0           | 1          |



5.10 (a)  $J_A = Bx + B'y'$        $J_B = A'x$   
 $K_A = B'xy'$                $K_B = A + xy'$        $z = Axy + Bx'y'$

(b)

| Present state |   | Inputs |   | Next state |   |   | FF Inputs |       |       |
|---------------|---|--------|---|------------|---|---|-----------|-------|-------|
| A             | B | x      | y | A          | B | z | $J_A$     | $K_A$ | $J_B$ |
| 0             | 0 | 0      | 0 | 1          | 0 | 0 | 1         | 0     | 0     |
| 0             | 0 | 0      | 1 | 0          | 0 | 0 | 0         | 0     | 0     |
| 0             | 0 | 1      | 0 | 1          | 1 | 0 | 1         | 1     | 1     |
| 0             | 0 | 1      | 1 | 0          | 1 | 0 | 0         | 0     | 1     |
| 0             | 1 | 0      | 0 | 0          | 1 | 1 | 0         | 0     | 0     |
| 0             | 1 | 0      | 1 | 0          | 1 | 0 | 0         | 0     | 0     |
| 0             | 1 | 1      | 0 | 1          | 0 | 0 | 1         | 0     | 1     |
| 0             | 1 | 1      | 1 | 1          | 1 | 0 | 1         | 0     | 1     |
| 1             | 0 | 0      | 0 | 1          | 0 | 0 | 1         | 0     | 0     |
| 1             | 0 | 0      | 1 | 1          | 0 | 0 | 0         | 0     | 0     |
| 1             | 0 | 1      | 0 | 0          | 0 | 0 | 1         | 1     | 0     |
| 1             | 0 | 1      | 1 | 1          | 0 | 0 | 0         | 0     | 0     |
| 1             | 1 | 0      | 0 | 1          | 0 | 1 | 0         | 0     | 0     |
| 1             | 1 | 0      | 1 | 1          | 0 | 0 | 0         | 0     | 1     |
| 1             | 1 | 1      | 0 | 1          | 0 | 0 | 1         | 0     | 0     |
| 1             | 1 | 1      | 1 | 1          | 0 | 1 | 1         | 0     | 0     |





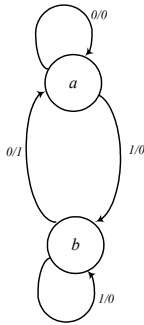
5.11

(a)

Present state: 00 00 01 00 01 11 00 01 11 10 00 01 11 10 10  
 Input: 0 1 0 1 1 0 1 1 1 0 1 1 1 1 0  
 Output: 0 0 1 0 0 1 0 0 0 1 0 0 0 0 1  
 Next state: 00 01 00 01 11 00 01 11 10 00 01 11 10 10 00  
 state:

(b)

State labels: a: 00, b: 10, c: 11, d: 01  
 c is equivalent to b  
 d is equivalent to c



(c)

| input | state | next st | output |
|-------|-------|---------|--------|
| 0     | 0     | 0       | 0      |
| 1     | 0     | 1       | 0      |
| 0     | 1     | 0       | 0      |
| 1     | 1     | 1       | 1      |

State machine: D-flop with direct input of the input to the original machine;  
 output logic:  $y = (\text{input}) \ \&\& \ (\text{state} == b)$

5.12

| Present state | Next state |   | Output |   |
|---------------|------------|---|--------|---|
|               | 0          | 1 | 0      | 1 |
| a             | f          | b | 0      | 0 |
| b             | d          | a | 0      | 0 |
| d             | g          | a | 1      | 0 |
| f             | f          | b | 1      | 1 |
| g             | g          | d | 0      | 1 |

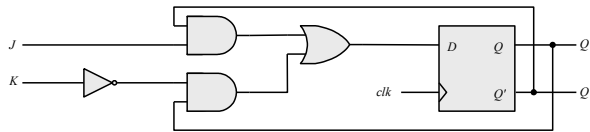
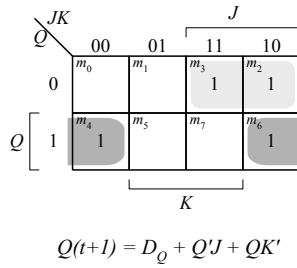
- 5.13 (a) State: *a f b c e d g h g g h a*  
 Input: 0 1 1 1 0 0 1 0 0 1 1  
 Output: 0 1 0 0 0 1 1 1 0 1 0
- (b) State: *a f b a b d g d g g d a*  
 Input: 0 1 1 1 0 0 1 0 0 1 1  
 Output: 0 1 0 0 0 1 1 1 0 1 0

5.14

|   | Present state<br>ABCDE | Next state |       | Output |     |
|---|------------------------|------------|-------|--------|-----|
|   |                        | x=0        | x=1   | x=1    | x=0 |
| a | 00001                  | 00001      | 00010 | 0      | 0   |
| b | 00010                  | 00100      | 01000 | 0      | 0   |
| c | 00100                  | 00001      | 01000 | 0      | 0   |
| d | 01000                  | 10000      | 01000 | 0      | 1   |
| e | 10000                  | 00001      | 01000 | 0      | 1   |

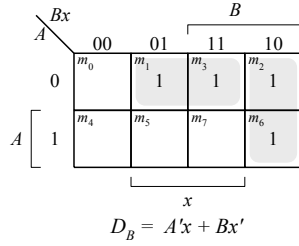
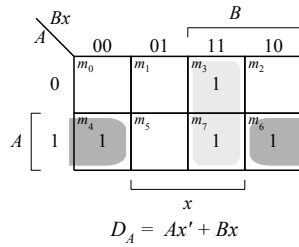
5.15  $D_Q = Q'J + QK'$

| Present state<br>Q | Inputs<br>J K |   | Next state<br>Q |            |
|--------------------|---------------|---|-----------------|------------|
|                    | 0             | 0 |                 |            |
| 0                  | 0             | 1 | 0               | Reset to 0 |
| 0                  | 1             | 0 | 1               | Set to 1   |
| 0                  | 1             | 1 | 1               | Complement |
| 1                  | 0             | 0 | 1               | No change  |
| 1                  | 0             | 1 | 0               | Reset to 0 |
| 1                  | 1             | 0 | 1               | Set to 1   |
| 1                  | 1             | 1 | 0               | Complement |



- 5.16 (a)  $D_A = Ax' + Bx$   
 $D_B = A'x + Bx'$

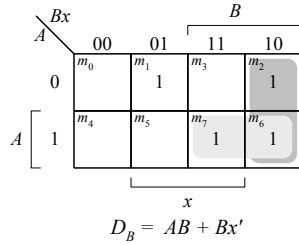
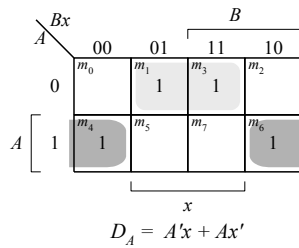
| Present state |   | Input<br>x | Next state |   |
|---------------|---|------------|------------|---|
| A             | B |            | A          | B |
| 0             | 0 | 0          | 0          | 0 |
| 0             | 0 | 1          | 0          | 1 |
| 0             | 1 | 0          | 0          | 1 |
| 0             | 1 | 1          | 1          | 1 |
| 1             | 0 | 0          | 1          | 0 |
| 1             | 0 | 1          | 0          | 0 |
| 1             | 1 | 0          | 1          | 1 |
| 1             | 1 | 1          | 1          | 0 |



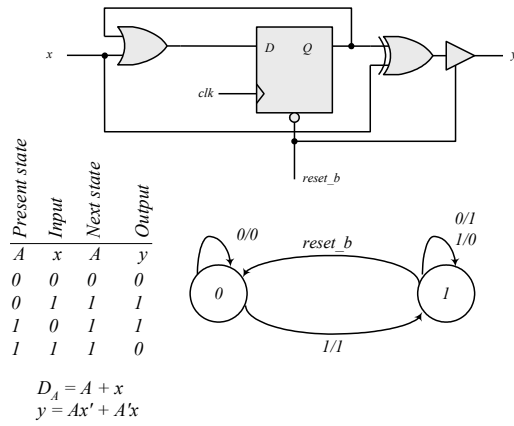
(b)  $D_A = A'x + Ax'$

$D_B = AB + Bx'$

| Present state |   | Input<br>x | Next state |   |
|---------------|---|------------|------------|---|
| A             | B |            | A          | B |
| 0             | 0 | 0          | 0          | 0 |
| 0             | 0 | 1          | 1          | 1 |
| 0             | 1 | 0          | 0          | 1 |
| 0             | 1 | 1          | 1          | 0 |
| 1             | 0 | 0          | 1          | 0 |
| 1             | 0 | 1          | 0          | 0 |
| 1             | 1 | 0          | 1          | 1 |
| 1             | 1 | 1          | 0          | 1 |

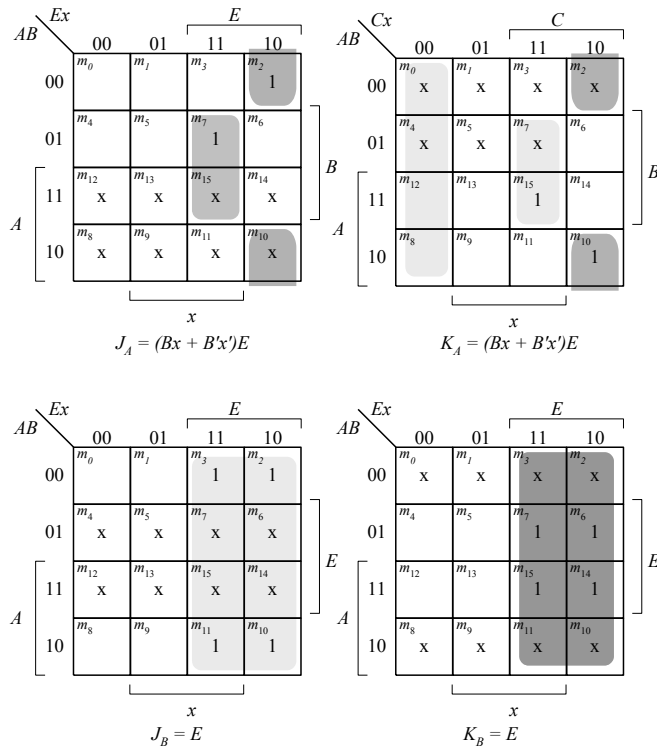


5.17 The output is 0 for all 0 inputs until the first 1 occurs, at which time the output is 1. Thereafter, the output is the complement of the input. The state diagram has two states. In state 0: output = input; in state 1: output = input'.



5.18 Binary up-down counter with enable E.

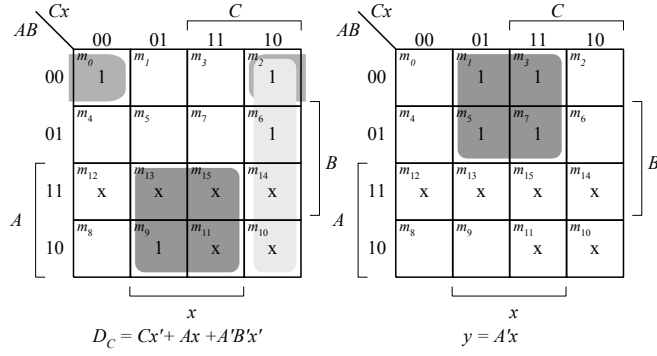
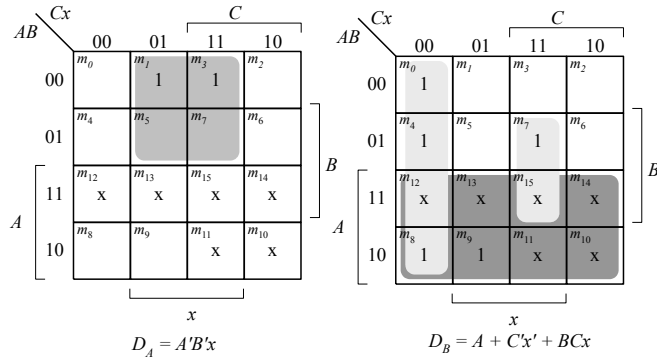
| Present state | Input | Next state | Flip-flop inputs |                |                |                |
|---------------|-------|------------|------------------|----------------|----------------|----------------|
|               |       |            | J <sub>A</sub>   | K <sub>A</sub> | J <sub>B</sub> | K <sub>B</sub> |
| AB            | x     | AB         |                  |                |                |                |
| 00            | 01    | 00         | 0                | x              | 0              | x              |
| 00            | 01    | 00         | 0                | x              | 0              | x              |
| 00            | 10    | 11         | 1                | x              | 1              | x              |
| 00            | 11    | 01         | 0                | x              | 1              | x              |
| 01            | 00    | 01         | 0                | x              | x              | 0              |
| 01            | 01    | 01         | 0                | x              | x              | 0              |
| 01            | 10    | 01         | 0                | x              | x              | 1              |
| 01            | 11    | 10         | 1                | x              | x              | 1              |
| 10            | 00    | 10         | x                | 0              | 1              | 0              |
| 10            | 01    | 10         | x                | 0              | 1              | 0              |
| 10            | 10    | 01         | x                | 1              | x              | 1              |
| 10            | 11    | 11         | x                | 0              | x              | 1              |
| 11            | 00    | 11         | x                | 0              | x              | 0              |
| 11            | 01    | 11         | x                | 0              | x              | 0              |
| 11            | 10    | 11         | 1                | 0              | x              | 1              |
| 11            | 11    | 11         | x                | 1              | x              | 1              |



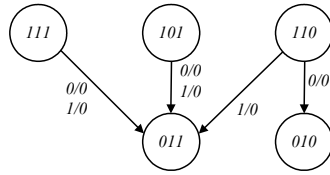
5.19 (a) Unused states (see Fig. P5.19): 101, 110, 111.

| Present state<br><i>ABC</i> | Input<br><i>x</i> | Next state<br><i>ABC</i> | Output<br><i>y</i> |
|-----------------------------|-------------------|--------------------------|--------------------|
| 000                         | 0                 | 011                      | 0                  |
| 000                         | 1                 | 100                      | 1                  |
| 001                         | 0                 | 001                      | 0                  |
| 001                         | 1                 | 100                      | 1                  |
| 010                         | 0                 | 010                      | 0                  |
| 010                         | 1                 | 000                      | 1                  |
| 011                         | 0                 | 001                      | 0                  |
| 011                         | 1                 | 010                      | 1                  |
| 100                         | 0                 | 010                      | 0                  |
| 100                         | 1                 | 011                      | 1                  |

$d(A, B, C, x) = \Sigma (10, 11, 12, 13, 14, 15)$



The machine is self-correcting, i.e., the unused states transition to known states.

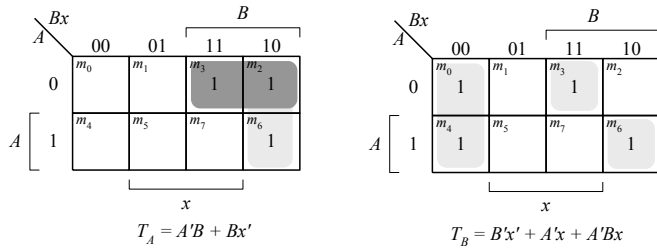


(b) With JK flip=flops, the state table is the same as in (a).

| Flip-flop inputs |       |       |       |       |       |
|------------------|-------|-------|-------|-------|-------|
| $J_A$            | $K_A$ | $J_B$ | $K_B$ | $J_C$ | $K_C$ |
| 0                | x     | 1     | x     | 1     | x     |
| 1                | x     | 0     | x     | 0     | x     |
| 0                | x     | 0     | x     | x     | 0     |
| 1                | x     | 0     | x     | x     | 1     |
| 0                | x     | x     | 0     | 0     | x     |
| 0                | x     | x     | 1     | 0     | x     |
| 0                | x     | x     | 1     | x     | 0     |
| 0                | x     | x     | 0     | x     | 1     |
| x                | 1     | 1     | x     | 0     | x     |
| x                | 1     | 1     | x     | 1     | x     |

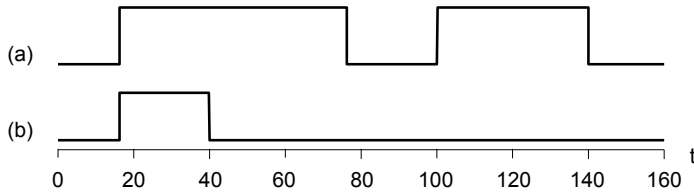
$J_A = B'x$        $K_A = 1$   
 $J_B = A + C'x'$        $K_B = C'x + Cx'$   
 $J_C = Ax + A'B'x'$        $K_C = x$   
 $y = A'x$   
 The machine is self-correcting  
 because  $K_A = 1$ .

5.20 From state table 5.4:  $T_A(A, B, x) = \Sigma(2, 3, 6)$ ,  $T_B(A, B, x) = \Sigma(0, 3, 4, 6)$ .



5.21 The statements associated with an **initial** keyword execute once, in sequence, with the activity expiring after the last statement completes execution; the statements associated with the **always** keyword execute repeatedly, subject to timing control (e.g, #10).

5.22



5.23 (a)  $RegA = 125$ ,  $RegB = 125$   
 (b)  $RegA = 125$ ,  $RegB = 50$  Note: Text has error, with  $RegB = 30$  at page 526).

5.24 (a)

```

module DFF (output reg Q, input D, clk, preset, clear);
always @ (posedge clk, negedge preset, negedge clear)
 if (preset == 0) Q <= 1'b1;
 else if (clear == 0) Q <= 1'b0;
 else Q <= D;
endmodule

```

```

module t_DFF ();
wire Q;
reg clk, preset, clear;
reg D;

```

```

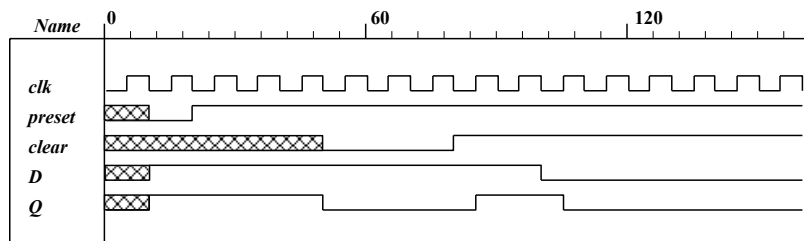
DFF M0 (Q, D, clk, preset, clear);

```

```

initial #160 $finish;
initial begin clk = 0; forever #5 clk = ~clk; end
initial fork
 #10 preset = 0;
 #20 preset = 1;
 #50 clear = 0;
 #80 clear = 1;
 #10 D = 1;
 #100 D = 0;
 #200 D = 1;
join
endmodule

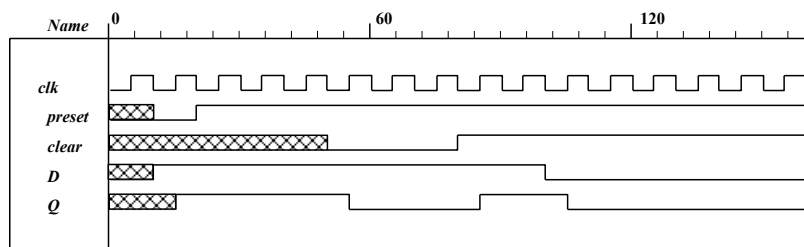
```

(b) **module** DFF (**output reg** Q, **input** D, clk, preset, clear);

```

always @ (posedge clk)
 if (preset == 0) Q <= 1'b1;
 else if (clear == 0) Q <= 1'b0;
 else Q <= D;
endmodule

```





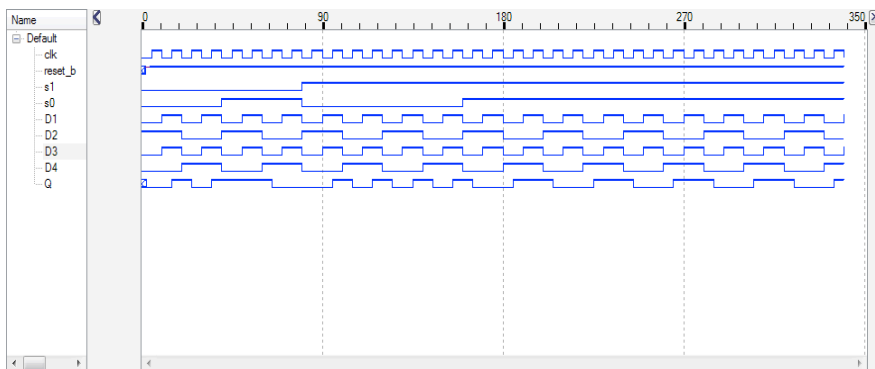
5.25

```

module Quad_Input_DFF (output reg Q, input D1, D2, D3, D4, s1, s0, clk, reset_b);
always @ (posedge clk, negedge reset_b)
 if (reset_b == 1'b0) Q <= 0;
 else case ({s1, s0})
 2'b00: Q <= D1;
 2'b01: Q <= D2;
 2'b10: Q <= D3;
 2'b11: Q <= D4;
 endcase
endmodule

module t_Quad_Input_DFF ();
 wire Q;
 reg D1, D2, D3, D4, s1, s0, clk, reset_b;
 Quad_Input_DFF M0 (Q, D1, D2, D3, D4, s1, s0, clk, reset_b);
 initial #350 $finish;
 initial begin clk = 0; forever #5 clk = ~clk; end
 initial fork
 begin s1 = 0; s0 = 0; end
 #40 begin s1 = 0; s0 = 1; end
 #80 begin s1 = 1; s0 = 0; end
 #120 begin s1 = 1; s0 = 0; end
 #160 begin s1 = 1; s0 = 1; end
 join
 initial fork
 begin D1 = 0; forever #10 D1 = ~D1; end
 begin D2 = 1; forever #20 D2 = ~D2; end
 begin D3 = 0; forever #10 D3 = ~D3; end
 begin D4 = 0; forever #20 D4 = ~D4; end
 join
 initial fork
 #2 reset_b = 1;
 #3 reset_b = 0;
 #4 reset_b = 1;
 join
endmodule

```



## 5.26 (a)

$$Q(t + 1) = JQ' + K'Q$$

When  $Q = 0$ ,  $Q(t + 1) = J$

When  $Q = 1$ ,  $Q(t + 1) = K'$

```
module JK_Behavior_a (output reg Q, input J, K, CLK, reset_b);
 always @ (posedge CLK, negedge reset_b)
 if (reset_b == 0) Q <= 0; else
 if (Q == 0) Q <= J;
 else Q <= ~K;
endmodule
```

(b)

```

module JK_Behavior_b (output reg Q, input J, K, CLK, reset_b);
always @ (posedge CLK, negedge reset_b)
if (reset_b == 0) Q <= 0;
else
 case ({J, K})
 2'b00: Q <= Q;
 2'b01: Q <= 0;
 2'b10: Q <= 1;
 2'b11: Q <= ~Q;
 endcase
endmodule

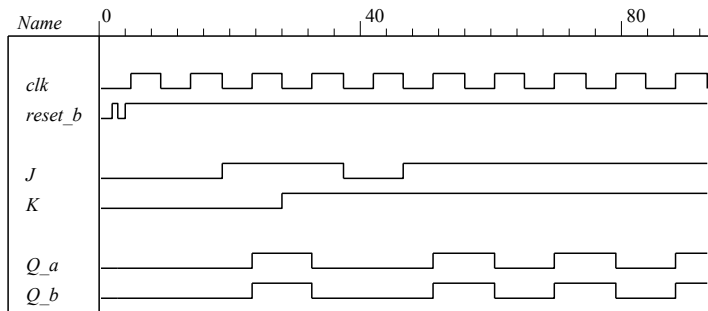
```

```

module t_Prob_5_26 ();
wire Q_a, Q_b;
reg J, K, clk, reset_b;
JK_Behavior_a M0 (Q_a, J, K, clk, reset_b);
JK_Behavior_b M1 (Q_b, J, K, clk, reset_b);

initial #100 $finish;
initial begin clk = 0; forever #5 clk = ~clk; end
initial fork
 #2 reset_b = 1;
 #3 reset_b = 0; // Initialize to s0
 #4 reset_b = 1;
 J = 0; K = 0;
 #20 begin J = 1; K = 0; end
 #30 begin J = 1; K = 1; end
 #40 begin J = 0; K = 1; end
 #50 begin J = 1; K = 1; end
join
endmodule

```



5.27

```

// Mealy FSM zero detector (See Fig. 5.16)
module Mealy_Zero_Detector (
 output reg y_out,
 input x_in, clock, reset
);
reg [1: 0] state, next_state;
parameter S0 = 2'b00, S1 = 2'b01, S2 = 2'b10, S3 = 2'b11;

always @ (posedge clock, negedge reset) // state transition
if (reset == 0) state <= S0;
else state <= next_state;

```

```

always @ (state, x_in) // Form the next state
case (state)
 S0:begin y_out = 0; if (x_in) next_state = S1; else next_state = S0; end
 S1: begin y_out = ~x_in; if (x_in) next_state = S3; else next_state = S0; end
 S2:begin y_out = ~x_in; if (~x_in) next_state = S0; else next_state = S2; end
 S3: begin y_out = ~x_in; if (x_in) next_state = S2; else next_state = S0; end
endcase

```

```
endmodule
```

```

module t_Mealy_Zero_Detector;
 wire t_y_out;
 reg t_x_in, t_clock, t_reset;

```

```
Mealy_Zero_Detector M0 (t_y_out, t_x_in, t_clock, t_reset);
```

```

initial #200 $finish;
initial begin t_clock = 0; forever #5 t_clock = ~t_clock; end

```

```

initial fork
 t_reset = 0;
 #2 t_reset = 1;
 #87 t_reset = 0;
 #89 t_reset = 1;
 #10 t_x_in = 1;
 #30 t_x_in = 0;
 #40 t_x_in = 1;
 #50 t_x_in = 0;
 #52 t_x_in = 1;
 #54 t_x_in = 0;
 #70 t_x_in = 1;
 #80 t_x_in = 1;
 #70 t_x_in = 0;
 #90 t_x_in = 1;
 #100 t_x_in = 0;
 #120 t_x_in = 1;
 #160 t_x_in = 0;
 #170 t_x_in = 1;

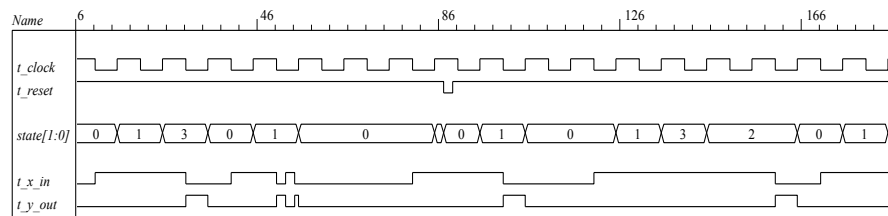
```

```

join
endmodule

```

Note: Simulation results match Fig. 5.22.



```

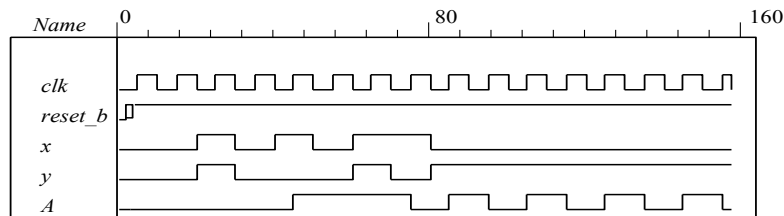
5.28 (a)
module Prob_5_28a (output A, input x, y, clk, reset_b);
parameter s0 = 0, s1 = 1;
reg state, next_state;
assign A = state;

always @ (posedge clk, negedge reset_b)
 if (reset_b == 0) state <= s0; else state <= next_state;

always @ (state, x, y) begin
 next_state = s0;
 case (state)
 s0: case ({x, y})
 2'b00, 2'b11: next_state = s0;
 2'b01, 2'b10: next_state = s1;
 endcase
 s1: case ({x, y})
 2'b00, 2'b11: next_state = s1;
 2'b01, 2'b10: next_state = s0;
 endcase
 endcase
end
endmodule

module t_Prob_5_28a ();
wire A;
reg x, y, clk, reset_b;
 Prob_5_28a M0 (A, x, y, clk, reset_b);
 initial #350 $finish;
 initial begin clk = 0; forever #5 clk = ~clk; end
 initial fork
 #2 reset_b = 1;
 #3 reset_b = 0; // Initialize to s0
 #4 reset_b = 1;
 x = 0; y = 0;
 #20 begin x = 1; y = 1; end
 #30 begin x = 0; y = 0; end
 #40 begin x = 1; y = 0; end
 #50 begin x = 0; y = 0; end
 #60 begin x = 1; y = 1; end
 #70 begin x = 1; y = 0; end
 #80 begin x = 0; y = 1; end
 join
endmodule

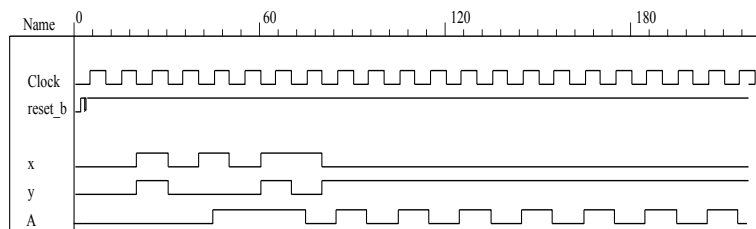
```



```
(b)
module Prob_5_28b (output A, input x, y, Clock, reset_b);
 xor (w1, x, y);
 xor (w2, w1, A);
 DFF M0 (A, w2, Clock, reset_b);
endmodule
```

```
module DFF (output reg Q, input D, Clock, reset_b);
always @ (posedge Clock, negedge reset_b)
 if (reset_b == 0) Q <= 0;
 else Q <= D;
endmodule
```

```
module t_Prob_5_28b ();
 wire A;
 reg x, y, clk, reset_b;
 Prob_5_28b M0 (A, x, y, clk, reset_b);
 initial #350 $finish;
 initial begin clk = 0; forever #5 clk = ~clk; end
 initial fork
 #2 reset_b = 1;
 #3 reset_b = 0; // Initialize to s0
 #4 reset_b = 1;
 x = 0; y = 0;
 #20 begin x = 1; y = 1; end
 #30 begin x = 0; y = 0; end
 #40 begin x = 1; y = 0; end
 #50 begin x = 0; y = 0; end
 #60 begin x = 1; y = 1; end
 #70 begin x = 1; y = 0; end
 #80 begin x = 0; y = 1; end
 join
endmodule
```



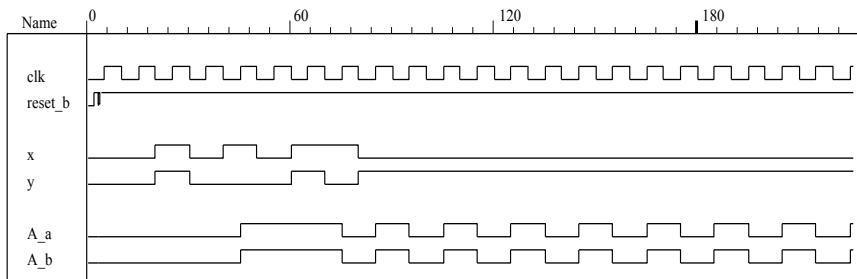
(c) See results of (b) and (c).

```

module t_Prob_5_28c ();
wire A_a, A_b;
reg x, y, clk, reset_b;
Prob_5_28a M0 (A_a, x, y, clk, reset_b);
Prob_5_28b M1 (A_b, x, y, clk, reset_b);

initial #350 $finish;
initial begin clk = 0; forever #5 clk = ~clk; end
initial fork
 #2 reset_b = 1;
 #3 reset_b = 0; // Initialize to s0
 #4 reset_b = 1;
 x=0; y=0;
 #20 begin x= 1; y = 1; end
 #30 begin x = 0; y = 0; end
 #40 begin x = 1; y = 0; end
 #50 begin x = 0; y = 0; end
 #60 begin x = 1; y = 1; end
 #70 begin x = 1; y = 0; end
 #80 begin x = 0; y = 1; end
join
endmodule

```



5.29

```

module Prob_5_29 (output reg y_out, input x_in, clock, reset_b);
parameter s0 = 3'b000, s1 = 3'b001, s2 = 3'b010, s3 = 3'b011, s4 = 3'b100;
reg [2:0] state, next_state;

always @ (posedge clock, negedge reset_b)
if (reset_b == 0) state <= s0;
else state <= next_state;

always @ (state, x_in) begin
 y_out = 0;
 next_state = s0;
 case (state)
 s0: if (x_in) begin next_state = s4; y_out = 1; end else begin next_state = s3; y_out = 0; end
 s1: if (x_in) begin next_state = s4; y_out = 1; end else begin next_state = s1; y_out = 0; end
 s2: if (x_in) begin next_state = s0; y_out = 1; end else begin next_state = s2; y_out = 0; end
 s3: if (x_in) begin next_state = s2; y_out = 1; end else begin next_state = s1; y_out = 0; end
 s4: if (x_in) begin next_state = s3; y_out = 0; end else begin next_state = s2; y_out = 0; end
 default: next_state = 3'bxxx;
 endcase
end
endmodule

module t_Prob_5_29 ();

```

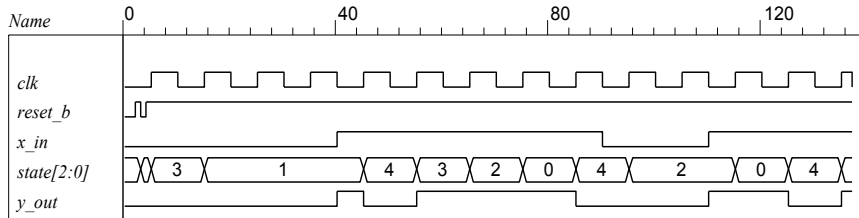
```

wire y_out;
reg x_in, clk, reset_b;

Prob_5_29 M0 (y_out, x_in, clk, reset_b);

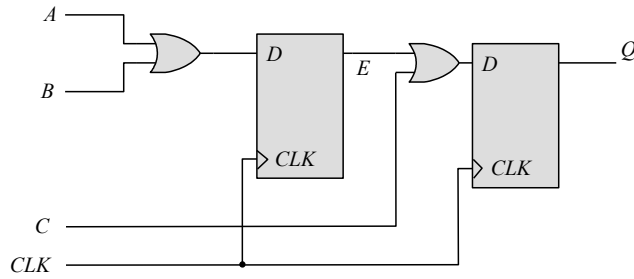
initial #350$finish;
initial begin clk = 0; forever #5 clk = ~clk; end
initial fork
 #2 reset_b = 1;
 #3 reset_b = 0; // Initialize to s0
 #4 reset_b = 1;
 // Trace the state diagram and monitor y_out
 x_in = 0; // Drive from s0 to s3 to S1 and park
 #40 x_in = 1; // Drive to s4 to s3 to s2 to s0 to s4 and loop
 #90 x_in = 0; // Drive from s0 to s3 to s2 and part
 #110 x_in = 1; // Drive s0 to s4 etc
join
endmodule

```





5.30



5.31

```

module Seq_Ckt (input A, B, C, CLK, output reg Q);
 reg E;
 always @ (posedge CLK)
 begin
 Q = E && C;
 E = A || B;
 end
endmodule

```

Note: The statements must be written in an order than produces the effect of concurrent assignments.

## 5.32

```

initial begin
 enable = 0; A = 1; B = 0; C = 0; D = 1; E = 1; F = 1;
 #10 A = 0; B = 1; C = 1;
 #10 A = 1; B = 0; D = 1; E = 0;
 #10 B = 1; E = 1; F = 0;
 #10 enable = 1;
 B = 0; D = 0; F = 1;
 #10 B = 1;
 #10 B = 0; D = 1;
 #10 B = 1;
end

```

```

initial fork
 enable = 0; A = 1; B = 0; C = 0; D = 1; E = 1; F = 1;
 #10 begin A = 0; B = 1; end
 #20 begin A = 1; B = 0; D = 1; E = 0; end
 #30 begin B = 1; E = 1; F = 0; end
 #40 begin B = 0; D = 0; F = 1; end
 #50 begin B = 1; end
 #60 begin B = 0; D = 1; end
 #70 begin B = 1; end
join

```

## 5.33

Signal transitions that are caused by input signals that change on the active edge of the clock race with the clock itself to reach the affected flip-flops, and the outcome is indeterminate (unpredictable). Conversely, changes caused by inputs that are synchronized to the inactive edge of the clock reach stability before the active edge, with predictable outputs of the flip-flops that are affected by the inputs.

5.34 Note: Problem statement should refer to Problem 5.2 instead of Fig 5.5.

```

module JK_flop_Prob_5_34 (output Q, input J, K, clk);
 wire K_bar;
 D_flop M0 (Q, D, clk);
 Mux M1 (D, J, K_bar, Q);
 Inverter M2 (K_bar, K);
endmodule

```

```

module D_flop (output reg Q, input D, clk);
 always @ (posedge clk) Q <= D;
endmodule

```

```

module Inverter (output y_bar, input y);
 assign y_bar = ~y;
endmodule

```

```

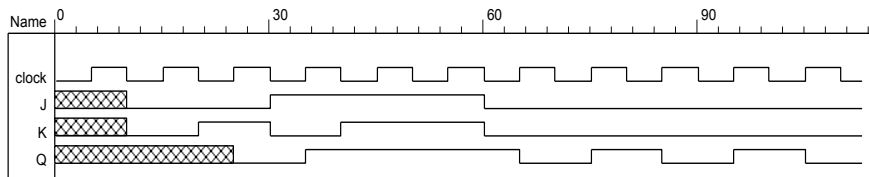
module Mux (output y, input a, b, select);
 assign y = select ? a : b;
endmodule

```

```

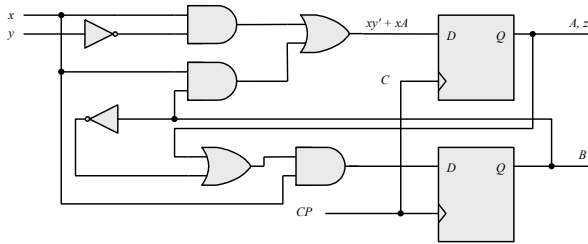
module t_JK_flop_Prob_5_34 ();
 wire Q;
 reg J, K, clock;
 JK_flop_Prob_5_34 M0 (Q, J, K, clock);
 initial #500 $finish;
 initial begin clock = 0; forever #5 clock = ~clock; end
 initial fork
 #10 begin J = 0; K = 0; end // toggle Q unknown
 #20 begin J = 0; K = 1; end // set Q to 0
 #30 begin J = 1; K = 0; end // set q to 1
 #40 begin J = 1; K = 1; end // no change
 #60 begin J = 0; K = 0; end // toggle Q
 join
endmodule

```



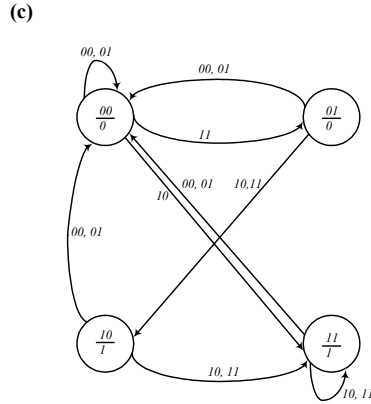
5.35

From Problem 5.6:



(b)  $A(t+1) = xy' + xB$   
 $B(t+1) = xA + xB'$   
 $z = A$

| Present state |   | Inputs |   | Next state |   | Output |
|---------------|---|--------|---|------------|---|--------|
| A             | B | x      | y | A          | B | z      |
| 0             | 0 | 0      | 0 | 0          | 0 | 0      |
| 0             | 0 | 0      | 1 | 0          | 0 | 0      |
| 0             | 0 | 1      | 0 | 1          | 1 | 0      |
| 0             | 0 | 1      | 1 | 0          | 1 | 0      |
| 0             | 1 | 0      | 0 | 0          | 0 | 0      |
| 0             | 1 | 0      | 1 | 0          | 0 | 0      |
| 0             | 1 | 1      | 0 | 1          | 0 | 0      |
| 0             | 1 | 1      | 1 | 1          | 0 | 0      |
| 1             | 0 | 0      | 0 | 0          | 0 | 1      |
| 1             | 0 | 0      | 1 | 0          | 0 | 1      |
| 1             | 0 | 1      | 0 | 1          | 1 | 1      |
| 1             | 0 | 1      | 1 | 1          | 1 | 1      |
| 1             | 1 | 0      | 0 | 0          | 0 | 1      |
| 1             | 1 | 0      | 1 | 0          | 0 | 1      |
| 1             | 1 | 1      | 0 | 1          | 1 | 1      |
| 1             | 1 | 1      | 1 | 1          | 1 | 1      |



```

module Prob_5_35 (output out_z, input in_x, in_y, clk, reset_b);
 reg [1:0] state, next_state;
 assign out_z = ((state == 2'b10) || (state == 2'b11));

 always @ (posedge clk) if (reset_b == 1'b0) state <= 2'b00; else state <= next_state;

 always @ (state, in_x, in_y)
 case (state)
 2'b00: if (((in_x, in_y) == 2'b00) || ((in_x, in_y) == 2'b01)) next_state = 2'b00;
 else if ((in_x, in_y) == 2'b10) next_state = 2'b11;
 else next_state = 2'b01;

 2'b01: if (((in_x, in_y) == 2'b00) || ((in_x, in_y) == 2'b01)) next_state = 2'b00;
 else if (((in_x, in_y) == 2'b10) || ((in_x, in_y) == 2'b11)) next_state = 2'b10;

 2'b10: if (((in_x, in_y) == 2'b00) || ((in_x, in_y) == 2'b01)) next_state = 2'b00;
 else if (((in_x, in_y) == 2'b10) || ((in_x, in_y) == 2'b11)) next_state = 2'b11;

 2'b11: if (((in_x, in_y) == 2'b00) || ((in_x, in_y) == 2'b01)) next_state = 2'b00;
 else if (((in_x, in_y) == 2'b10) || ((in_x, in_y) == 2'b11)) next_state = 2'b11;
 endcase
endmodule

```

```

module t_Prob_5_35 ();
wire out_z;
reg in_x, in, in_y, clk, reset_b;

Prob_5_35 M0 (out_z, in_x, in, in_y, clk, reset_b);

initial #250 $finish;
initial begin clk = 0; forever #5 clk = ~clk; end
initial fork
 reset_b = 0;
 #20 reset_b = 1;

 #50 {in_x, in_y} = 2'b00; // Remain in 2'b00
 #60 {in_x, in_y} = 2'b01; // Remain in 2'b00
 #70 {in_x, in_y} = 2'b11; // Transition to 2'b01
 #90 {in_x, in_y} = 2'b00; // Transition to 2'b00
 #110 {in_x, in_y} = 2'b11; // Transition to 2'b01
 #120 {in_x, in_y} = 2'b01; // Transition to 2'b00

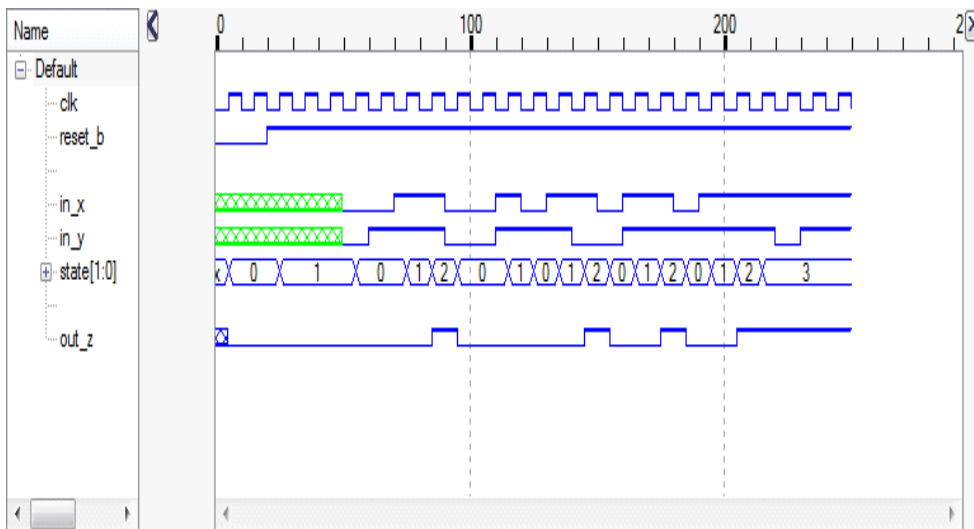
 #130 {in_x, in_y} = 2'b11; // Transition to 2'b01
 #140 {in_x, in_y} = 2'b10; // Transition to 2'b10
 #150 {in_x, in_y} = 2'b00; // Transition to 2'b00
 #160 {in_x, in_y} = 2'b11; // Transition to 2'b01

 #170 {in_x, in_y} = 2'b11; // Transition to 2'b10
 #180 {in_x, in_y} = 2'b01; // Transition to 2'b00

 #190 {in_x, in_y} = 2'b11; // Transition to 2'b01
 #200 {in_x, in_y} = 2'b11; // Transition to 2'b10
 #210 {in_x, in_y} = 2'b11; // Transition to 2'b11

 #220 {in_x, in_y} = 2'b10; // Remain in 2'b11
 #230 {in_x, in_y} = 2'b11; // Remain in 2'b11
join
endmodule

```



5.36 Note: See Problem 5.8 (counter with repeated sequence: (A, B) = 00, 01, 10, 00 ....

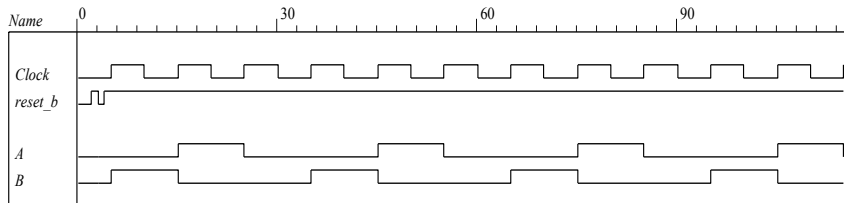
```
// See Fig. P5.8
module Problem_5_36 (output A, B, input Clock, reset_b);
 or (T_A, A, B);
 or (T_B, A_b, B);
 T_flop M0 (A, A_b, T_A, Clock, reset_b);
 T_flop M1 (B, B_b, T_B, Clock, reset_b);
endmodule

module T_flop (output reg Q, output QB, input T, Clock, reset_b);
 assign QB = ~Q;
 always @ (posedge Clock, negedge reset_b)
 if (reset_b == 0) Q <= 0;
 else if (T) Q <= ~Q;
endmodule

module t_Problem_5_36 ();
 wire A, B;
 reg Clock, reset_b;

 Problem_5_36 M0 (A, B, Clock, reset_b);

 initial #350$finish;
 initial begin Clock = 0; forever #5 Clock = ~Clock; end
 initial fork
 #2 reset_b = 1;
 #3 reset_b = 0;
 #4 reset_b = 1;
 join
endmodule
```



5.37

```
module Problem_5_37_Fig_5_25 (output reg y, input x_in, clock, reset_b);

 parameter a = 3'b000, b = 3'b001, c = 3'b010, d = 3'b011, e = 3'b100, f = 3'b101, g = 3'b110;
 reg [2: 0] state, next_state;

 always @ (posedge clock, negedge reset_b)
 if (reset_b == 0) state <= a;
 else state <= next_state;

 always @ (state, x_in) begin
 y = 0;
 next_state = a;
 case (state)
 a: begin y = 0; if (x_in == 0) next_state = a; else next_state = b; end

```

```
b: begin y = 0; if (x_in == 0) next_state = c; else next_state = d; end
c: begin y = 0; if (x_in == 0) next_state = a; else next_state = d; end
d: if (x_in == 0) begin y = 0; next_state = e; end
 else begin y = 1; next_state = f; end
e: if (x_in == 0) begin y = 0; next_state = a; end
 else begin y = 1; next_state = f; end
f: if (x_in == 0) begin y = 0; next_state = g; end
 else begin y = 1; next_state = f; end
g: if (x_in == 0) begin y = 0; next_state = a; end
 else begin y = 1; next_state = f; end

 default: next_state = a;
endcase
end
endmodule
module Problem_5_37_Fig_5_26 (output reg y, input x_in, clock, reset_b);
parameter a = 3'b000, b = 3'b001, c = 3'b010, d = 3'b011, e = 3'b100;
reg [2: 0] state, next_state;

always @ (posedge clock, negedge reset_b)
if (reset_b == 0) state <= a;
else state <= next_state;
```

```

always @ (state, x_in) begin
 y = 0;
 next_state = a;
case (state)
 a: begin y = 0; if (x_in == 0) next_state = a; else next_state = b; end

 b: begin y = 0; if (x_in == 0) next_state = c; else next_state = d; end

 c: begin y = 0; if (x_in == 0) next_state = a; else next_state = d; end

 d: if (x_in == 0) begin y = 0; next_state = e; end
 else begin y = 1; next_state = d; end

 e: if (x_in == 0) begin y = 0; next_state = a; end
 else begin y = 1; next_state = d; end

 default: next_state = a;
endcase
end
endmodule

module t_Problem_5_37 ();
wire y_Fig_5_25, y_Fig_5_26;
reg x_in, clock, reset_b;

 Problem_5_37_Fig_5_25 M0 (y_Fig_5_25, x_in, clock, reset_b);
 Problem_5_37_Fig_5_26 M1 (y_Fig_5_26, x_in, clock, reset_b);

 wire [2: 0] state_25 = M0.state;
 wire [2: 0] state_26 = M1.state;

 initial #350 $finish;
 initial begin clock = 0; forever #5 clock = ~clock; end
 initial fork
 x_in = 0;
 #2 reset_b = 1;
 #3 reset_b = 0;
 #4 reset_b = 1;
 #20 x_in = 1;
 #40 x_in = 0; // abdea, abdea

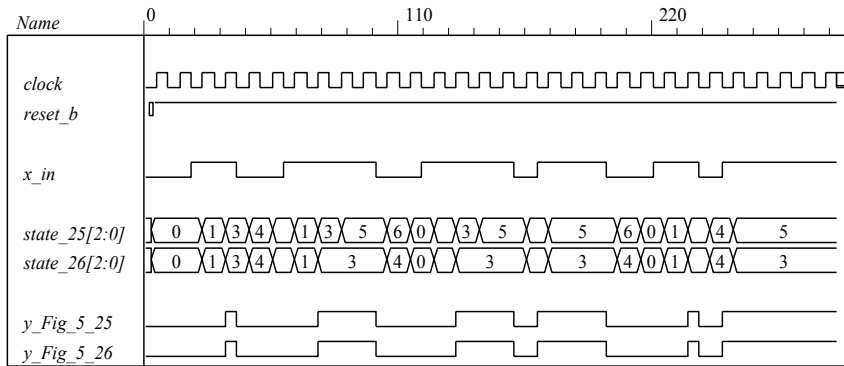
 #60 x_in = 1;
 #100 x_in = 0; // abdf...fga, abd ... dea

 #120 x_in = 1;
 #160 x_in = 0;
 #170 x_in = 1;
 #200 x_in = 0; // abdf...fgf...fga, abd ...ded...ea

 #220 x_in = 1;
 #240 x_in = 0;
 #250 x_in = 1; // abdef... // abded...
 join
endmodule

```





5.38 (a)

```

module Prob_5_38a (input x_in, clock, reset_b);
parameter s0 = 2'b00, s1 = 2'b01, s2 = 2'b10, s3 = 2'b11;
reg [1: 0] state, next_state;

always @ (posedge clock, negedge reset_b)
if (reset_b == 0) state <= s0;
else state <= next_state;

always @ (state, x_in) begin
 next_state = s0;
 case (state)
 s0: if (x_in == 0) next_state = s0;
 else if (x_in == 1) next_state = s3;

 s1: if (x_in == 0) next_state = s1;
 else if (x_in == 1) next_state = s2;

 s2: if (x_in == 0) next_state = s2;
 else if (x_in == 1) next_state = s0;

 s3: if (x_in == 0) next_state = s3;
 else if (x_in == 1) next_state = s1;
 default: next_state = s0;
 endcase
end
endmodule

```

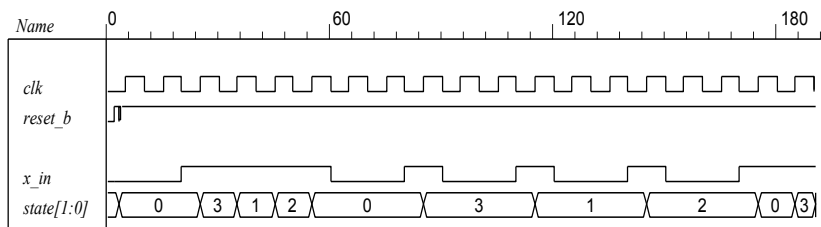
```

module t_Prob_5_38a ();
reg x_in, clk, reset_b;

Prob_5_38a M0 (x_in, clk, reset_b);

initial #350$finish;
initial begin clk = 0; forever #5 clk = ~clk; end
initial fork
 #2 reset_b = 1;
 #3 reset_b = 0; // Initialize to s0
 #4 reset_b = 1;
 #2 x_in = 0;
 #20 x_in = 1;
 #60 x_in = 0;
 #80 x_in = 1;
 #90 x_in = 0;
 #110 x_in = 1;
 #120 x_in = 0;
 #140 x_in = 1;
 #150 x_in = 0;
 #170 x_in = 1;
join
endmodule

```



(b)

```

module Prob_5_38b (input x_in, clock, reset_b);
parameter s0 = 2'b00, s1 = 2'b01, s2 = 2'b10, s3 = 2'b11;
reg [1: 0] state, next_state;

always @ (posedge clock, negedge reset_b)
if (reset_b == 0) state <= s0;
else state <= next_state;

always @ (state, x_in) begin
 next_state = s0;
 case (state)
 s0: if (x_in == 0) next_state = s0;
 else if (x_in == 1) next_state = s3;

 s1: if (x_in == 0) next_state = s1;
 else if (x_in == 1) next_state = s2;

 s2: if (x_in == 0) next_state = s2;
 else if (x_in == 1) next_state = s0;

 s3: if (x_in == 0) next_state = s3;
 else if (x_in == 1) next_state = s1;
 default: next_state = s0;
 endcase
end
endmodule

```

```

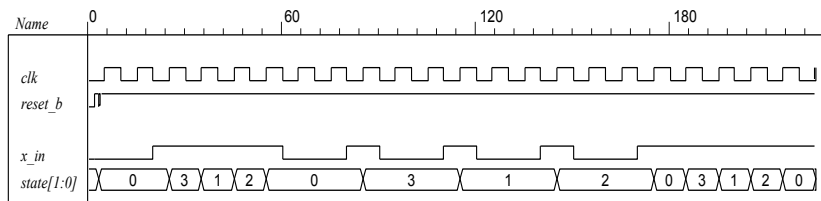
module t_Prob_5_38b ();

 reg x_in, clk, reset_b;

 Prob_5_38b M0 (x_in, clk, reset_b);

 initial #350$finish;
 initial begin clk = 0; forever #5 clk = ~clk; end
 initial fork
 #2 reset_b = 1;
 #3 reset_b = 0; // Initialize to s0
 #4 reset_b = 1;
 #2 x_in = 0;
 #20 x_in = 1;
 #60 x_in = 0;
 #80 x_in = 1;
 #90 x_in = 0;
 #110 x_in = 1;
 #120 x_in = 0;
 #140 x_in = 1;
 #150 x_in = 0;
 #170 x_in = 1;
 join
endmodule

```



5.39

```

module Serial_2s_Comp (output reg B_out, input B_in, clk, reset_b);
// See problem 5.17
parameter S_0 = 1'b0, S_1 = 1'b1;
reg state, next_state;
always @ (posedge clk, negedge reset_b) begin
 if (reset_b == 0) state <= S_0;
 else state <= next_state;
end

always @ (state, B_in) begin
 B_out = 0;
 case (state)
 S_0: if (B_in == 0) begin next_state = S_0; B_out = 0; end
 else if (B_in == 1) begin next_state = S_1; B_out = 1; end

 S_1: begin next_state = S_1; B_out = ~B_in; end
 default: next_state = S_0;

 endcase
end
endmodule

module t_Serial_2s_Comp ();

```

```

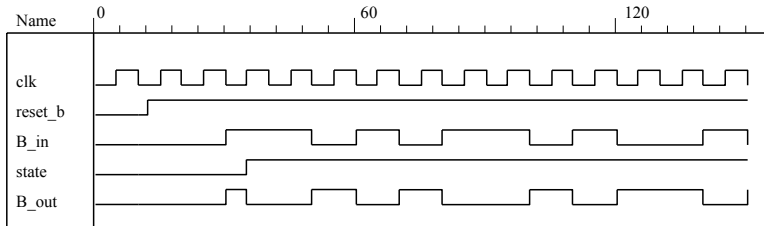
wire B_in, B_out;
reg clk, reset_b;
reg [15: 0] data;
assign B_in = data[0];

always @ (negedge clk, negedge reset_b)
 if (reset_b == 0) data <= 16'ha5ac; else data <= data >> 1; // Sample bit stream

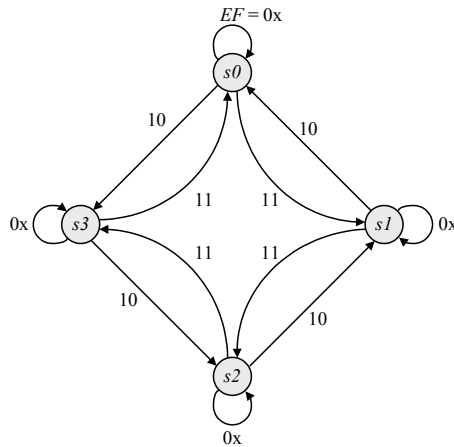
Serial_2s_Comp M0 (B_out, B_in, clk, reset_b);

initial #150 $finish;
initial begin clk = 0; forever #5 clk = ~clk; end
initial fork
 #10 reset_b = 0;
 #12 reset_b = 1;
join
endmodule

```



5.40



```

module Prob_5_40 (input E, F, clock, reset_b);
parameter s0 = 2'b00, s1 = 2'b01, s2 = 2'b10, s3 = 2'b11;
reg [1: 0] state, next_state;

always @ (posedge clock, negedge reset_b)
 if (reset_b == 0) state <= s0;
 else state <= next_state;

always @ (state, E, F) begin

```

```

next_state = s0;
case (state)
s0: if (E == 0) next_state = s0;
 else if (F == 1) next_state = s1; else next_state = s3;

s1: if (E == 0) next_state = s1;
 else if (F == 1) next_state = s2; else next_state = s0;

s2: if (E == 0) next_state = s2;
 else if (F == 1) next_state = s3; else next_state = s1;

s3: if (E == 0) next_state = s3;
 else if (F == 1) next_state = s0; else next_state = s2;
default: next_state = s0;
endcase
end
endmodule

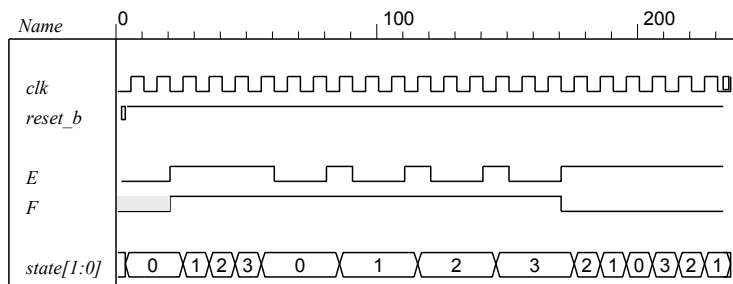
module t_Prob_5_40 ();

reg E, F, clk, reset_b;

Prob_5_40 M0 (E, F, clk, reset_b);

initial #350$finish;
initial begin clk = 0; forever #5 clk = ~clk; end
initial fork
#2 reset_b = 1;
#3 reset_b = 0; // Initialize to s0
#4 reset_b = 1;
#2 E = 0;
#20 begin E = 1; F = 1; end
#60 E = 0;
#80 E = 1;
#90 E = 0;
#110 E = 1;
#120 E = 0;
#140 E = 1;
#150 E = 0;
#170 E = 1;
#170 F = 0;
join
endmodule

```



## 5.41

```

module Prob_5_41 (output reg y_out, input x_in, clock, reset_b);
parameter s0 = 3'b000, s1 = 3'b001, s2 = 3'b010, s3 = 3'b011, s4 = 3'b100;
reg [2:0] state, next_state;

```

```

always @ (posedge clock, negedge reset_b)
 if (reset_b == 0) state <= s0;
 else state <= next_state;

always @ (state, x_in) begin
 y_out = 0;
 next_state = s0;
 case (state)
 s0: if (x_in) begin next_state = s4; y_out = 1; end else begin next_state = s3; y_out = 0; end
 s1: if (x_in) begin next_state = s4; y_out = 1; end else begin next_state = s1; y_out = 0; end
 s2: if (x_in) begin next_state = s0; y_out = 1; end else begin next_state = s2; y_out = 0; end
 s3: if (x_in) begin next_state = s2; y_out = 1; end else begin next_state = s1; y_out = 0; end
 s4: if (x_in) begin next_state = s3; y_out = 0; end else begin next_state = s2; y_out = 0; end
 default: next_state = 3'bxxx;
 endcase
end
endmodule

```

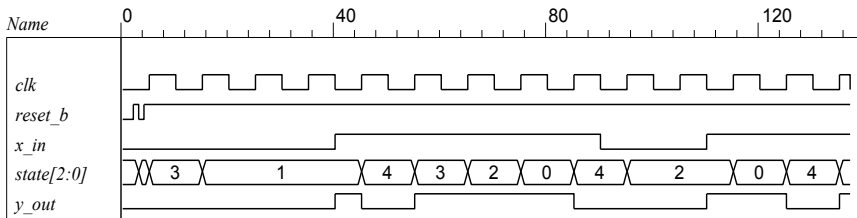
```

module t_Prob_5_41 ();
 wire y_out;
 reg x_in, clk, reset_b;

 Prob_5_41 M0 (y_out, x_in, clk, reset_b);

 initial #350$finish;
 initial begin clk = 0; forever #5 clk = ~clk; end
 initial fork
 #2 reset_b = 1;
 #3 reset_b = 0; // Initialize to s0
 #4 reset_b = 1;
 // Trace the state diagram and monitor y_out
 x_in = 0; // Drive from s0 to s3 to S1 and park
 #40 x_in = 1; // Drive to s4 to s3 to s2 to s0 to s4 and loop
 #90 x_in = 0; // Drive from s0 to s3 to s2 and part
 #110 x_in = 1; // Drive s0 to s4 etc
 join
endmodule

```



5.42

```

module Prob_5_42 (output A, B, B_bar, y, input x, clk, reset_b);
// See Fig. 5.29
wire w1, w2, w3, D1, D2;
and (w1, A, x);
and (w2, B, x);
or (D_A, w1, w2);

and (w3, B_bar, x);
and (y, A, B);
or (D_B, w1, w3);
DFF M0_A (A, D_A, clk, reset_b);
DFF M0_B (B, D_B, clk, reset_b);
not (B_bar, B);
endmodule

module DFF (output reg Q, input data, clk, reset_b);
always @ (posedge clk, negedge reset_b)
if (reset_b == 0) Q <= 0; else Q <= data;
endmodule

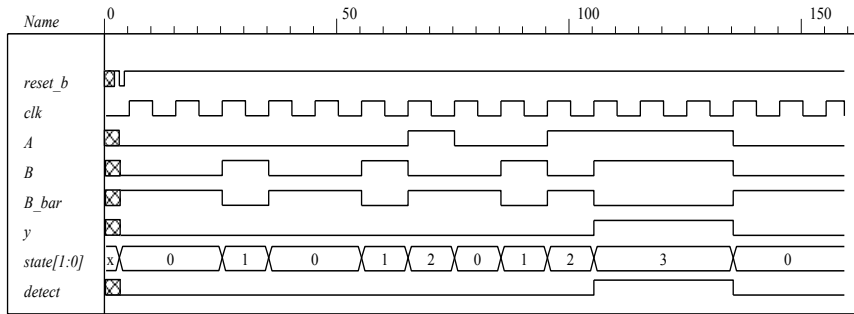
module t_Prob_5_42 ();
wire A, B, B_bar, y;
reg bit_in, clk, reset_b;
wire [1:0] state;
assign state = {A, B};
wire detect = y;

Prob_5_42 M0 (A, B, B_bar, y, bit_in, clk, reset_b);

// Patterns from Problem 5.45.

initial #350$finish;
initial begin clk = 0; forever #5 clk = ~clk; end
initial fork
 #2 reset_b = 1;
 #3 reset_b = 0;
 #4 reset_b = 1;
 // Trace the state diagram and monitor detect (assert in S3)
 bit_in = 0; // Park in S0
 #20 bit_in = 1; // Drive to S0
 #30 bit_in = 0; // Drive to S1 and back to S0 (2 clocks)
 #50 bit_in = 1;
 #70 bit_in = 0; // Drive to S2 and back to S0 (3 clocks)
 #80 bit_in = 1;
 #130 bit_in = 0; // Drive to S3, park, then and back to S0
join
endmodule

```



5.43

```

module Binary_Counter_3_bit (output [2: 0] count, input clk, reset_b)
always @ (posedge clk) if (reset_b == 0) count <= 0; else count <= next_count;
always @ (count) begin
 case (state)
 3'b000: count = 3'b001;
 3'b001: count = 3'b010;
 3'b010: count = 3'b011;
 3'b011: count = 3'b100;
 3'b100: count = 3'b001;
 3'b101: count = 3'b010;
 3'b110: count = 3'b011;
 3'b111: count = 3'b100;
 default: count = 3'b000;
 endcase
end
endmodule

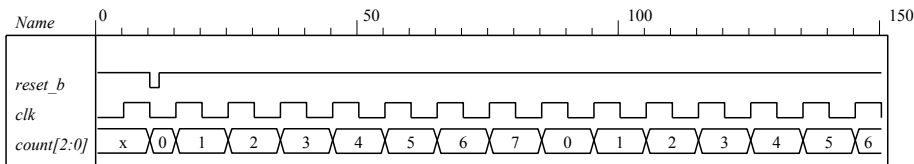
```

```

module t_Binary_Counter_3_bit ()
 wire [2: 0] count;
 reg clk, reset_b;
 Binary_Counter_3_bit M0 (count, clk, reset_b)

 initial #150 $finish;
 initial begin clk = 0; forever #5 clk = ~clk; end
 initial fork
 reset = 1;
 #10 reset = 0;
 #12 reset = 1;
 endmodule

```





Alternative: structural model.

```
module Prob_5_41 (output A2, A1, A0, input T, clk, reset_bar);
 wire toggle_A2;
```

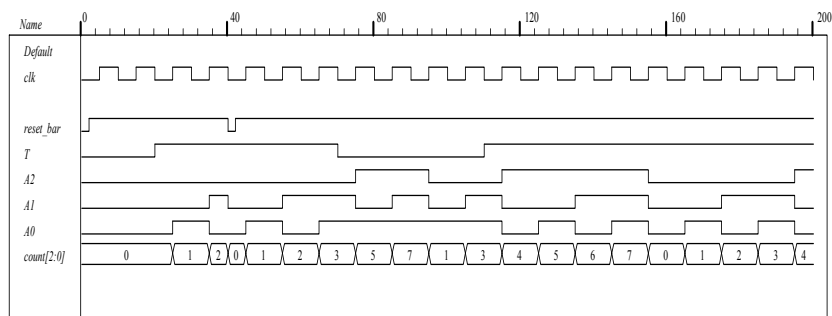
```
 T_flop M0 (A0, T, clk, reset_bar);
 T_flop M1 (A1, A0, clk, reset_bar);
 T_flop M2 (A2, toggle_A2, clk, reset_bar);
 and (toggle_A2, A0, A1);
endmodule
```

```
module T_flop (output reg Q, input T, clk, reset_bar);
 always @(posedge clk, negedge reset_bar)
 if (!reset_bar) Q <= 0; else if (T) Q <= ~Q; else Q <= Q;
endmodule
```

```
module t_Prob_5_41;
 wire A2, A1, A0;
 wire [2:0] count = {A2, A1, A0};
 reg T, clk, reset_bar;
 Prob_5_41 M0 (A2, A1, A0, T, clk, reset_bar);
```

```
 initial #200 $finish;
 initial begin clk = 0; forever #5 clk = ~clk; end
 initial fork reset_bar = 0; #2 reset_bar = 1; #40 reset_bar = 0; #42 reset_bar = 1; join
 initial fork T = 0; #20 T = 1; #70 T = 0; #110 T = 1; join
endmodule
```

If the input to *A0* is changed to 0 the counter counts incorrectly. It resumes a correct counting sequence when *T* is changed back to 1.



5.44

```

module DFF_asynch_reset (output reg Q, input data, clk, reset);
 always @ (posedge clk, posedge reset) // Asynchronous reset
 if (reset) Q <= 0; else Q <= data;
endmodule

```

```

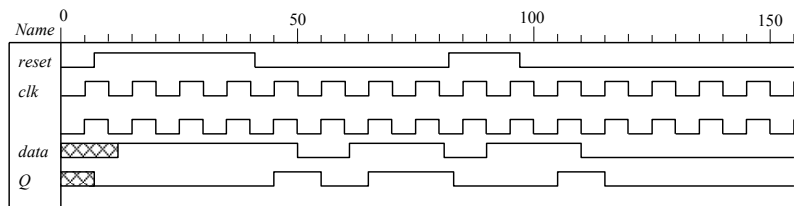
module t_DFF_asynch_reset ();
 reg data, clk, reset;
 wire Q;

 DFF_asynch_reset M0 (Q, data, clk, reset);

 initial #150 $finish;
 initial begin clk = 0; forever #5 clk = ~clk; end
 initial fork
 reset = 0;
 #7 reset = 1;
 #41 reset = 0;
 #82 reset = 1;
 #97 reset = 0;

 #12 data = 1;
 #50 data = 0;
 #60 data = 1;
 #80 data = 0;
 #90 data = 1;
 #110 data = 0;
 join
endmodule

```



5.45

```

module Seq_Detector_Prob_5_45 (output detect, input bit_in, clk, reset_b);
 parameter S0 = 0, S1 = 1, S2 = 2, S3 = 3;
 reg [1: 0] state, next_state;

 assign detect = (state == S3);
 always @ (posedge clk, negedge reset_b)
 if (reset_b == 0) state <= S0; else state <= next_state;

 always @ (state, bit_in) begin
 next_state = S0;
 case (state)
 0: if (bit_in) next_state = S1; else state = S0;
 1: if (bit_in) next_state = S2; else next_state = S0;
 2: if (bit_in) next_state = S3; else state = S0;
 3: if (bit_in) next_state = S3; else next_state = S0;
 default: next_state = S0;
 endcase
 end
endmodule

```

```

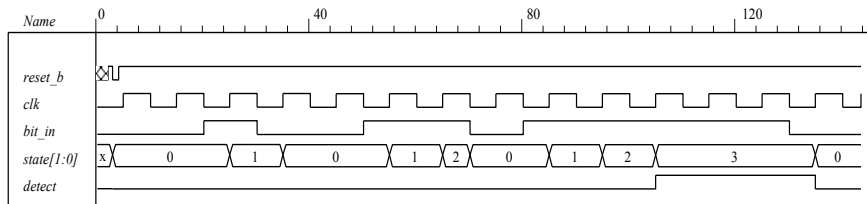
module t_Seq_Detector_Prob_5_45 ();
wire detect;
reg bit_in, clk, reset_b;

Seq_Detector_Prob_5_45 M0 (detect, bit_in, clk, reset_b);

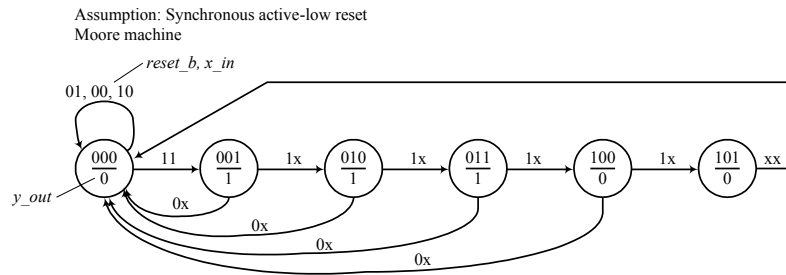
initial #350$finish;
initial begin clk = 0; forever #5 clk = ~clk; end
initial fork
 #2 reset_b = 1;
 #3 reset_b = 0;
 #4 reset_b = 1;

 // Trace the state diagram and monitor detect (assert in S3)
 bit_in = 0; // Park in S0
 #20 bit_in = 1; // Drive to S0
 #30 bit_in = 0; // Drive to S1 and back to S0 (2 clocks)
 #50 bit_in = 1;
 #70 bit_in = 0; // Drive to S2 and back to S0 (3 clocks)
 #80 bit_in = 1;
 #130 bit_in = 0; // Drive to S3, park, then and back to S0
join
endmodule

```



## 5.46 Pending simulation results



Verify that machine remains in state 000 while reset\_b is asserted, independently of x\_in.  
 Verify that machine makes transition from 000 to 001 if not reset\_b and if x\_in is asserted.  
 Verify that state transitions from 000 through 101 are correct.  
 Verify reset\_b "on the fly."  
 Verify that y\_out is asserted correctly.

```

module Prob_5_46 (output y_out, input x_in, clk, reset_b);
 reg [2:0] state, next_state;

 assign y_out = (state == 3'b001) || (state == 3'b010) || (state == 3'b011);
 always @ (posedge clk)
 if (reset_b == 1'b0) state <= 3'b000; else state <= next_state;

 always @ (x_in, state) begin
 next_state = 3'b000;
 case (state)
 3'b000: if (x_in) next_state = 3'b001; else next_state = 3'b000;
 3'b001: next_state = 3'b010;
 3'b010: next_state = 3'b011;
 3'b011: next_state = 3'b100;
 3'b100: next_state = 3'b101;
 3'b101: next_state = 3'b000;
 default: next_state = 3'b000;
 endcase
 end
endmodule

module t_Prob_5_46 ();
 reg x_in, clk, reset_b;
 wire y_out;

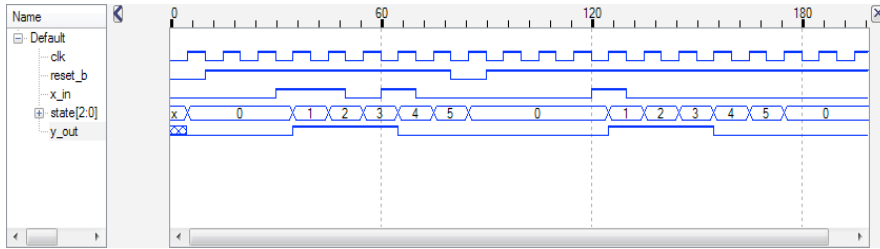
 Prob_5_46 M0 (y_out, x_in, clk, reset_b);

 initial #200 $finish;
 initial begin clk = 0; forever #5 clk = !clk; end
 initial fork
 reset_b = 0;
 #10 reset_b = 1;
 #80 reset_b = 0;
 #90 reset_b = 1;

 x_in = 0;
 #30 x_in = 1;
 join

```

```
#40 x_in = 1;
#50 x_in = 0;
#60 x_in = 1;
#70 x_in = 0;
#120 x_in = 1;
#130 x_in = 0;
join
endmodule
```



## 5.47

Assume synchronous active-low reset.

```

module Prob_5_47 (output reg [3:0] y_out, input Run, clk, reset_b);
always @ (posedge clk)
 if (reset_b == 1'b0) y_out <= 4'b000;
 else if (Run && (y_out < 4'b1110)) y_out <= y_out + 2'b10;
 else if (Run && (y_out == 4'b1110)) y_out <= 4'b0000;
 else y_out <= y_out; // redundant statement and may be omitted
endmodule

// Verify that counting is prevented while reset_b is asserted, independently of Run
// Verify that counting is initiated by Run if reset_b is de-asserted
// Verify reset on-the-fly
// Verify that deasserting Run suspends counting
// Verify wrap-around of counter.

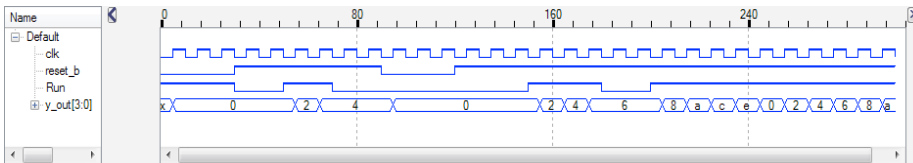
module t_Prob_5_47 ();
reg Run, clk, reset_b;
wire [3:0] y_out;

Prob_5_47 M0 (y_out, Run, clk, reset_b);

initial #300 $finish;
initial begin clk = 0; forever #5 clk = !clk; end
initial fork
 reset_b = 0;
 #30 reset_b = 1;

 Run = 1; // Attempt to run is overridden by reset_b
 #30 Run = 0;
 #50 Run = 1; // Initiate counting
 #70 Run = 0; // Pause
 #90 reset_b = 0; // reset on-the-fly
 #120 reset_b = 1; // De-assert reset_b
 #150 Run = 1; // Resume counting
 #180 Run = 0; // Pause counting
 #200 Run = 1; // Resume counting
join
endmodule

```



## 5.48

Assume "a" is the reset state.

```

module Prob_5_48 (output reg y_out, input x_in, clk, reset_b);
 parameter s_a = 2'd0;
 parameter s_b = 2'd1;
 parameter s_c = 2'd2;
 parameter s_d = 2'd3;
 reg [1: 0] state, next_state;

 always @ (posedge clk)
 if (reset_b == 1'b0) state <= s_a;
 else state <= next_state;

 always @ (state, x_in) begin
 next_state = s_a;
 y_out = 0;
 case (state)
 s_a: if (x_in == 1'b0) begin next_state = s_b; y_out = 1; end
 else begin next_state = s_c; y_out = 0; end
 s_b: if (x_in == 1'b0) begin next_state = s_c; y_out = 0; end
 else begin next_state = s_d; y_out = 1; end
 s_c: if (x_in == 1'b0) begin next_state = s_b; y_out = 0; end
 else begin next_state = s_d; y_out = 1; end
 s_d: if (x_in == 1'b0) begin next_state = s_c; y_out = 1; end
 else begin next_state = s_a; y_out = 0; end
 default: begin next_state = s_a; y_out = 0; end
 endcase
 end
endmodule

```

Verify reset action.

Verify state transitions.

Transition to a; hold x\_in = 0 and get loop bc...

Transition to a; hold x\_in = 1 and get loop acda...

Transitons to b; hold x\_in = 1 and get loop bdacd...

Transition to d; hold x\_in = 0 and get loop dcbc...

Confirm Mealy outputs at each state/input pair

Verify reset on-the-fly.

```

module t_Prob_5_48 ();
 reg x_in, clk, reset_b;
 wire y_out;

 Prob_5_48 M0 (y_out, x_in, clk, reset_b);

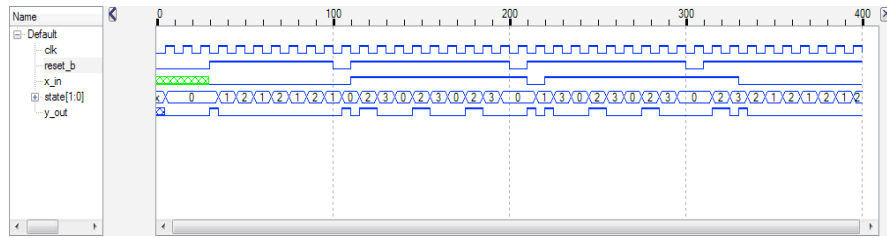
 initial #400 $finish;
 initial begin clk = 0; forever #5 clk = !clk; end
 initial fork
 reset_b = 0;
 #30 reset_b = 1;
 #30 x_in = 0; // loop abcdbc...

 #100 reset_b = 0;
 #110 reset_b = 1;
 #110 x_in = 1; // loop acdacda...

 #200 reset_b = 0;
 #210 reset_b = 1;
 #210 x_in = 0;
 #220 x_in = 1; // loop bdacdacd...
 endfork

```

```
#300 reset_b = 0;
#310 reset_b = 1;
#310 x_in = 1;
#330 x_in = 0; // loop acdcbcbc....
join
endmodule
```





## 5.49

Assume "a" is the reset state.

```

module Prob_5_49 (output reg y_out, input x_in, clk, reset_b);
parameter s_a = 2'd0;
parameter s_b = 2'd1;
parameter s_c = 2'd2;
parameter s_d = 2'd3;
reg [1: 0] state, next_state;

always @ (posedge clk)
if (reset_b == 1'b0) state <= s_a;
else state <= next_state;

always @ (state, x_in) begin
 next_state = s_a;
 y_out = 1'b0;
 case (state)
 s_a: if (x_in == 1'b0) next_state = s_b;
 else next_state = s_c;
 s_b: begin y_out = 1'b1; if (x_in == 1'b0) next_state = s_c;
 else next_state = s_d; end
 s_c: begin y_out = 1'b1; if (x_in == 1'b0) next_state = s_b;
 else next_state = s_d; end
 s_d: if (x_in == 1'b0) next_state = s_c;
 else next_state = s_a;
 default: next_state = s_a;
 endcase
end
endmodule

// Verify reset action.
// Verify state transitions.
// Transition to a; hold x_in = 0 and get loop abcabc...
// Transition to a; hold x_in = 1 and get loop acda...
// Transitions to b; hold x_in = 1 and get loop bdacd...
// Transition to d; hold x_in = 0 and get loop dcbcb...
// Confirm Moore outputs at each state
// Verify reset on-the-fly.

module t_Prob_5_49 ();
reg x_in, Run, clk, reset_b;
wire y_out;

Prob_5_49 M0 (y_out, x_in, clk, reset_b);

initial #400 $finish;
initial begin clk = 0; forever #5 clk = !clk; end
initial fork
 reset_b = 0;
 #30 reset_b = 1;
 #30 x_in = 0; // loop abcabc...

 #100 reset_b = 0;
 #110 reset_b = 1;
 #110 x_in = 1; // loop acdaca...

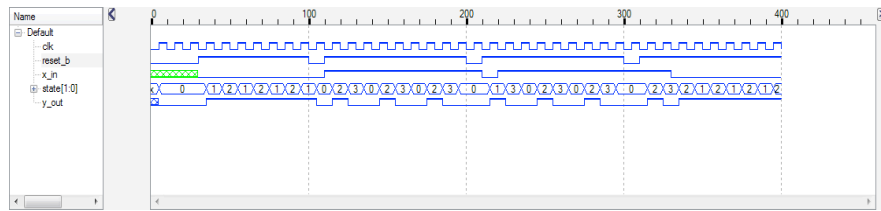
 #200 reset_b = 0;
 #210 reset_b = 1;
 #210 x_in = 0;
 #220 x_in = 1; // loop bdacdcb...
initial fork

```

```

#300 reset_b = 0;
#310 reset_b = 1;
#310 x_in = 1;
#330 x_in = 0; // loop accbcbcb...
join
endmodule

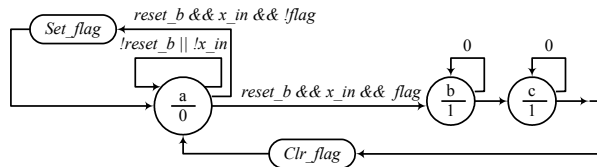
```



## 5.50

The machine is to remain in its initial state until a second sample of the input is detected to be 1. A flag will be set when the first sample is obtained. This will enable the machine to detect the presence of the second sample while being in the initial state. The machine is to assert its output upon detection of the second sample and to continue asserting the output until the fourth sample is detected.

Assumption: Synchronous active-low reset  
Moore machine, links for reset on-the-fly are implicit and not shown



Note: the output signal  $y_{out}$  is a Moore-type output. The control signals  $Set\_flag$  and  $Clr\_flag$  are not.

```

module Prob_5_50 (output y_out, input x_in, clk, reset_b);
 parameter s_a = 2'd0;
 parameter s_b = 2'd1;
 parameter s_c = 2'd2;

 reg Set_flag;
 reg Clr_flag;
 reg [1:0] state, next_state;
 assign y_out = (state == s_b) || (state == s_c);
 always @ (posedge clk)
 if (reset_b == 1'b0) state <= s_a;
 else state <= next_state;

 always @ (state, x_in, flag) begin
 next_state = s_a;
 Set_flag = 0;
 Clr_flag = 0;
 case (state)
 s_a: if ((x_in == 1'b1) && (flag == 1'b0))
 begin next_state = s_a; Set_flag = 1; end
 else if ((x_in == 1'b1) && (flag == 1'b1))
 begin next_state = s_b; Set_flag = 0; end
 else if (x_in == 1'b0) next_state = s_a;
 s_b: if (x_in == 1'b0) next_state = s_b;
 else begin next_state = s_c; Clr_flag = 1; end
 s_c: if (x_in == 1'b0) next_state = s_c;
 else next_state = s_a;
 default: begin next_state = s_a; Clr_flag = 1'b0; Set_flag = 1'b0; end
 endcase
 end

 always @ (posedge clk)
 if (reset_b == 1'b0) flag <= 0;
 else if (Set_flag) flag <= 1'b1;
 else if (Clr_flag) flag <= 1'b0;
 endmodule

```

```

// Verify reset action
// Verify detection of first input
// Verify wait for second input
// Verify transition at detection of second input
// Verify with between detection of input
// Verify transition to s_d at fourth detection of input
// Verify return to s_a and clearing of flag after fourth input
// Verify reset on-the-fly

```

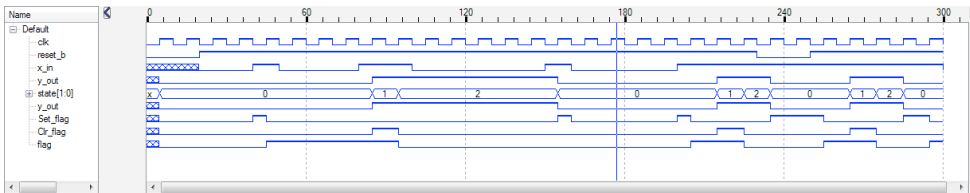
```

module t_Prob_5_50 ();
 wire y_out;
 reg x_in, clk, reset_b;

 Prob_5_50 M0 (y_out, x_in, clk, reset_b);

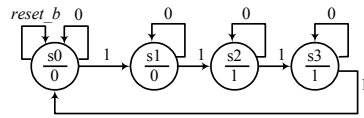
 initial #500 $finish;
 initial begin clk = 0; forever #5 clk = !clk; end
 initial fork
 reset_b = 1'b0;
 #20 reset_b = 1;
 #20 x_in = 1'b0;
 #40 x_in = 1'b1;
 #50 x_in = 1'b0;
 #80 x_in = 1'b1;
 #100 x_in = 0;
 #150 x_in = 1'b1;
 #160 x_in = 1'b0;
 #200 x_in = 1'b1;
 #230 reset_b = 1'b0;
 #250 reset_b = 1'b1;
 #300 x_in = 1'b0;
 join
endmodule

```



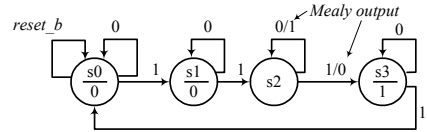
5.51

Assumption: Synchronous active-low reset  
 Moore machine, links for reset on-the-fly are implicit and not shown



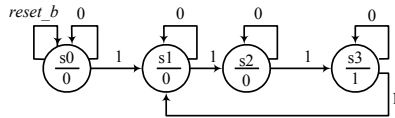
5.52

Assumption: Synchronous active-low reset  
 Moore/Mealy machine, links for reset on-the-fly are implicit and not shown



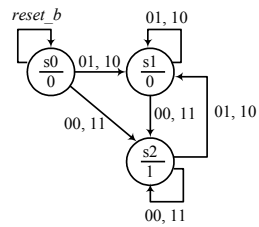
5.53

Assumption: Synchronous active-low reset  
 Moore machine, links for reset on-the-fly are implicit and not shown



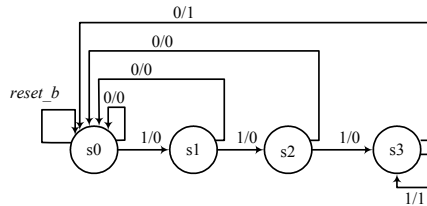
5.54

Assumption: Synchronous active-low reset  
 Moore machine, links for reset on-the-fly are implicit and not shown



5.55

Assumption: Synchronous active-low reset  
 Mealy machine, links for reset on-the-fly are implicit and not shown



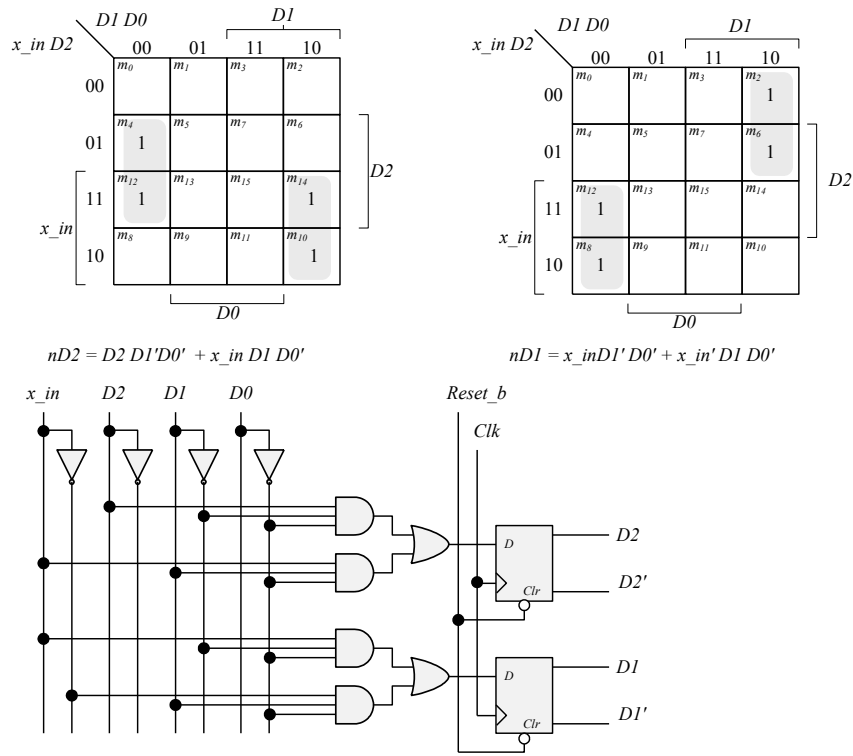
## 5.56

| reset_b | x_in | D2 | D1 | D0 | nD2 | nD1 | nD0 |
|---------|------|----|----|----|-----|-----|-----|
| 0       | x    | 0  | 0  | 0  | 0   | 0   | 0   |
| 0       | x    | 0  | 0  | 1  | 0   | 0   | 0   |
| 0       | x    | 0  | 1  | 0  | 0   | 0   | 0   |
| 0       | x    | 0  | 1  | 1  | 0   | 0   | 0   |
| 0       | x    | 1  | 0  | 0  | 0   | 0   | 0   |
| 0       | x    | 1  | 0  | 1  | 0   | 0   | 0   |
| 0       | x    | 1  | 1  | 0  | 0   | 0   | 0   |
| 0       | x    | 1  | 1  | 1  | 0   | 0   | 0   |
| 1       | 0    | 0  | 0  | 0  | 0   | 0   | 0   |
| 1       | 1    | 0  | 0  | 0  | 0   | 1   | 0   |
| 1       | x    | 0  | 0  | 1  | 0   | 0   | 0   |
| 1       | 0    | 0  | 1  | 0  | 0   | 1   | 0   |
| 1       | 1    | 0  | 1  | 0  | 1   | 0   | 0   |
| 1       | x    | 0  | 1  | 1  | 0   | 0   | 0   |
| 1       | 0    | 1  | 0  | 0  | 1   | 0   | 0   |
| 1       | 1    | 1  | 0  | 0  | 1   | 1   | 0   |
| 1       | x    | 1  | 0  | 1  | 0   | 0   | 0   |
| 1       | 0    | 1  | 1  | 0  | 1   | 1   | 0   |
| 1       | 1    | 1  | 1  | 0  | 0   | 0   | 0   |
| 1       | x    | 1  | 1  | 1  | 0   | 0   | 0   |

For reset\_b = 1:

$$nD2 = (\overline{x\_in} \overline{D2} D1 D0) \vee (\overline{x\_in}' D2 D1' D0') \vee (\overline{x\_in} D2 D1' D0') \vee (\overline{x\_in} D2 D1 D0')$$

$$nD1 = (\overline{x\_in} D2' D1' D0') \vee (\overline{x\_in}' D2' D1 D0') \vee (\overline{x\_in} D2 D1' D0') \vee (\overline{x\_in}' D2 D1 D0')$$



## 5.57

Assume synchronous active-low reset. Assume that the counter is controlled by assertion of *Run*.

```

module Prob_5_57 (output reg [2:0] y_out, input Run, clk, reset_b);
always @ (posedge clk)
 if (reset_b == 1'b0) y_out <= 3'b000;
 else if (Run && (y_out < 3'b110)) y_out <= y_out + 3'b010;
 else if (Run && (y_out == 3'b110)) y_out <= 3'b000;
 else y_out <= y_out; // redundant statement and may be omitted
endmodule

// Verify that counting is prevented while reset_b is asserted, independently of Run
// Verify that counting is initiated by Run if reset_b is de-asserted
// Verify reset on-the-fly
// Verify that deasserting Run suspends counting
// Verify wrap-around of counter.

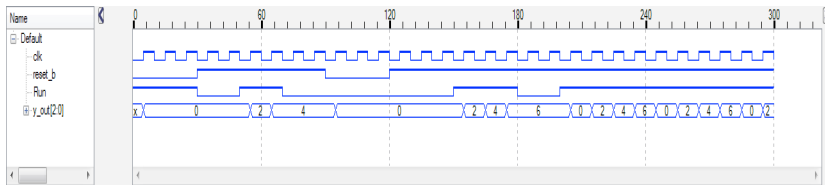
module t_Prob_5_57 ();
reg Run, clk, reset_b;
wire [2:0] y_out;

 Prob_5_57 M0 (y_out, Run, clk, reset_b);

 initial #300 $finish;
 initial begin clk = 0; forever #5 clk = !clk; end
 initial fork
 reset_b = 0;
 #30 reset_b = 1;

 Run = 1; // Attempt to run is overridden by reset_b
 #30 Run = 0;
 #50 Run = 1; // Initiate counting
 #70 Run = 0; // Pause
 #90 reset_b = 0; // reset on-the-fly
 #120 reset_b = 1; // De-assert reset_b
 #150 Run = 1; // Resume counting
 #180 Run = 0; // Pause counting
 #200 Run = 1; // Resume counting
 join
endmodule

```





5.58

```

module Prob_5_58 (output reg y_out, input x_in, clk, reset_b)
parameter s0 = 2'b00;
parameter s1 = 2'b01;
parameter s2 = 2'b10;
parameter s3 = 2'b11;
reg [1:0] state, next_state;

always @ (posedge clk, negedge reset_b)
if (reset_b == 1'b0) state <= s0;
else state <= next_state;

always @ (state, x_in) begin
y_out = 0;
next_state = s0;
case(state)
s0: if (x_in == 1'b0) next_state = s0; else if (x_in = 1'b1) next_state = s1;
s1: if (x_in == 1'b0) next_state = s0; else if (x_in = 1'b1) next_state = s2;
s2: if (x_in == 1'b0) next_state = s0; else if (x_in = 1'b1) next_state = s3;
s3: if (x_in == 1'b0) next_state = s0; else if (x_in = 1'b1) begin next_state = s3; y_out = 1; end
default: begin next_state = s0; y_out = 0; end
endcase
end
endmodule

module t_Prob_5_58 ();
wire y_out;
reg x_in, clk, reset_b;

Prob_5_58 M0 (y_out, x_in, clk, reset_b)

initial begin clk = 0; forever #5 clk = !clk; end
initial fork
reset_b = 0;
x_in = 0;
#20 reset_b = 1;
#40 reset_b = 1;
#50 x_in = 1;
#60 x_in = 0;
#80 x_in = 1;
#90 x_in = 0;
#110 x_in = 1;
#120 x_in = 1;
#150 x_in = 0;
#200 x_in = 1;
#210 reset_b = 0;
#240 reset_b = 1;
join
endmodule

```

## 5.59

```

module Prob_5_59 (output reg [2: 0] count, input enable, clk, reset_b);
always @ (posedge clk)
 if (reset_b == 1'b0) count <= 3'b000;
 else if (enable) case (count)
 3'b000: count <= 3'b010;
 3'b010: count <= 3'b100;
 3'b100: count <= 3'b110;
 3'b110: count <= 3'b000;
 default: count <= 3'b111; // Use for error detection
 endcase
endmodule

```

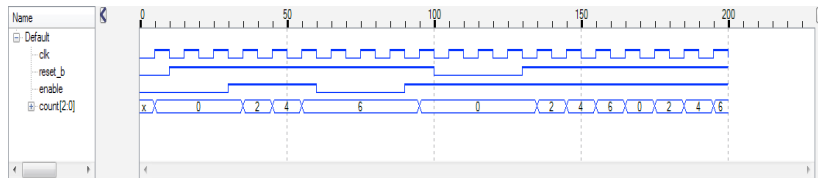
```

module t_Prob_5_59 ();
 wire [2:0] count;
 reg enable, clk, reset_b;

 Prob_5_59 M0 (count, enable, clk, reset_b);

 initial #200 $finish;
 initial begin clk = 0; forever #5 clk = ~clk; end
 initial fork
 reset_b = 0;
 #10 reset_b = 1;
 #100 reset_b = 0;
 #130 reset_b = 1;
 enable = 0;
 #30 enable = 1;
 #60 enable = 0;
 #90 enable = 1;
 join
endmodule

```



## 5.60

Assume synchronous active-low reset. Assume that counting is controlled by Run.

```

module Prob_5_60 (output reg [3:0] y_out, input Run, clk, reset_b);
always @ (posedge clk)
 if (reset_b == 1'b0) y_out <= 4'b000;
 else if (Run && (y_out < 4'b1001)) y_out <= y_out + 4'b0001;
 else if (Run && (y_out == 4'b1001)) y_out <= 4'b0000;500
 else y_out <= y_out; // redundant statement and may be omitted
endmodule

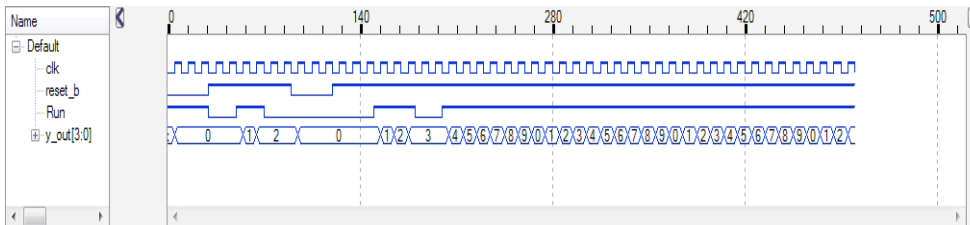
// Verify that counting is prevented while reset_b is asserted, independently of Run
// Verify that counting is initiated by Run if reset_b is de-asserted
// Verify reset on-the-fly
// Verify that deasserting Run suspends counting
// Verify wrap-around of counter.

module t_Prob_5_60 ();
reg Run, clk, reset_b;
wire [3:0] y_out;

Prob_5_60 M0 (y_out, Run, clk, reset_b);
initial #500 $finish;
initial begin clk = 0; forever #5 clk = !clk; end
initial fork
 reset_b = 0;
 #30 reset_b = 1;

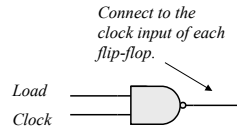
 Run = 1; // Attempt to run is overridden by reset_b
 #30 Run = 0;
 #50 Run = 1; // Initiate counting
 #70 Run = 0; // Pause
 #90 reset_b = 0; // reset on-the-fly
 #120 reset_b = 1; // De-assert reset_b
 #150 Run = 1; // Resume counting
 #180 Run = 0; // Pause counting
 #200 Run = 1; // Resume counting
join
endmodule

```

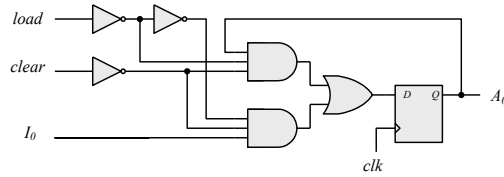


## CHAPTER 6

- 6.1 The structure shown below gates the clock through a nand gate. In practice, the circuit can exhibit two problems if the load signal is asynchronous: (1) the gated clock arrives in the setup interval of the clock of the flip-flop, causing metastability, and (2) the load signal truncates the width of the clock pulse. Additionally, the propagation delay through the nand gate might compromise the synchronicity of the overall circuit.



- 6.2 Modify Fig. 6.2, with each stage replicating the first stage shown below:



| Load | Clear | D     | Operation  |
|------|-------|-------|------------|
| 0    | 0     | $A_0$ | No change  |
| 0    | 1     | 0     | Clear to 0 |
| 1    | x     | $I_0$ | Load input |

Note: In this design, *clear* has priority over *load*.

- 6.3 Serial data is transferred one bit at a time, in sequence. Parallel data is transferred n bits at a time ( $n > 1$ ), concurrently.

A shift register can convert serial data into parallel data by first shifting one bit at a time into the register and then taking the parallel data from the register outputs.

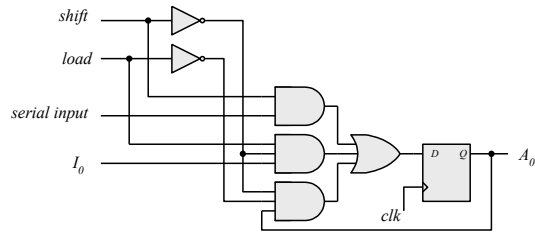
A shift register with parallel load can convert parallel data to a serial format by first loading the data in parallel and then shifting the bits one at a time.

- 6.4 0110  $\Rightarrow$  0011, 0001, 1000, 1100, 1110, 0111, 1011

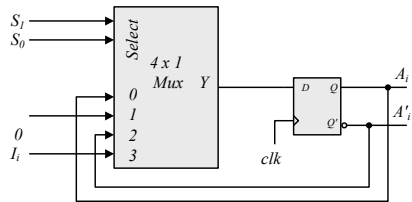
- 6.5 (a) See Fig. 11.19: IC 74194

(b) See Fig. 11.20. Connect two 74194 ICs to form an 8-bit register.

6.6 First stage of register:



6.7 First stage of register:



6.8  $A = 0010, 0001, 1000, 1100$ . Carry = 1, 1, 1, 0

6.9 (a) In Fig. 6.5, complement the serial output of shift register B (with an inverter), and set the initial value of the carry to 1.

(b)

| Present state | Inputs |     | Next state | Output | FF inputs |   |
|---------------|--------|-----|------------|--------|-----------|---|
|               | Q      | x y |            |        | Q         | D |
| 0             | 0      | 0   | 0          | 0      | 0         | x |
| 0             | 0      | 0   | 1          | 1      | 1         | x |
| 0             | 0      | 1   | 0          | 1      | 0         | x |
| 0             | 0      | 1   | 0          | 0      | 0         | x |
| 1             | 1      | 0   | 1          | 1      | x         | 0 |
| 1             | 1      | 0   | 1          | 0      | x         | 0 |
| 1             | 1      | 1   | 0          | 0      | x         | 1 |
| 1             | 1      | 1   | 1          | 1      | x         | 0 |

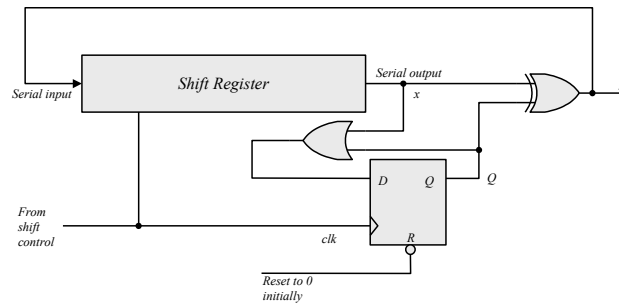
| $Q$ | $xy$  |       | $x$   |       |
|-----|-------|-------|-------|-------|
|     | 00    | 01    | 11    | 10    |
| 0   | $m_0$ | $m_1$ | $m_3$ | $m_2$ |
| 1   | $m_4$ | $m_5$ | $m_7$ | $m_6$ |

$J_Q = x'y$

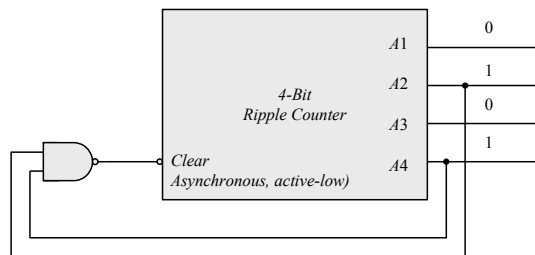
| $Q$ | $xy$  |       | $x$   |       |
|-----|-------|-------|-------|-------|
|     | 00    | 01    | 11    | 10    |
| 0   | $m_0$ | $m_1$ | $m_3$ | $m_2$ |
| 1   | $m_4$ | $m_5$ | $m_7$ | $m_6$ |

$K_Q = xy' \oplus \oplus$   
 $D = Q \oplus x \oplus y$

- 6.10** See solution to Problem 5.7.  
 Note that  $y = x$  if  $Q = 0$ , and  $y = x'$  if  $Q = 1$ .  $Q$  is set on the first 1 from  $x$ .  
 Note that  $x \oplus 0 = x$ , and  $x \oplus 1 = x'$ .



- 6.11** (a) A count down counter.  
 (b) A count up counter.
- 6.12** Similar to diagram of Fig. 6.8.  
 (a) With the bubbles in  $C$  removed (positive-edge).  
 (b) With complemented flip-flops connected to  $C$ .
- 6.13**



- 6.14** (a) 10\_0110\_0111  $\rightarrow$  10\_011\_1000 4;  
 (b) 11\_1100\_0111  $\rightarrow$  11\_1100\_1000 4;  
 (c) 00\_0000\_1111  $\rightarrow$  00\_0001\_0000 5
- 6.15** The worst case is when all 10 flip-flops are complemented. The maximum delay is  $10 \times 3\text{ ns} = 30\text{ ns}$ .  
 The maximum frequency is  $10^9/30 = 33.3\text{ MHz}$

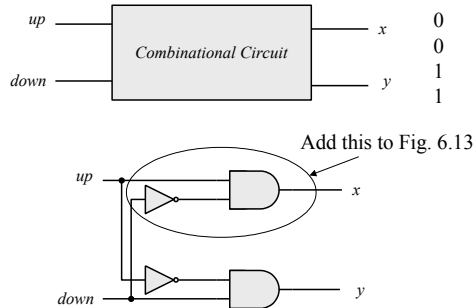
6.16 Q8 Q4 Q2 Q1 : 1010 1100 1110 Self correcting  
 Next state: 1011 1101 1111  
 Next state: 0100 0100 0000

1010 → 1011 → 0100  
 1100 → 1101 → 0100  
 1110 → 1111 → 0000

6.17 With  $E$  denoting the count enable in Fig. 6.12 and D-flip-flops replacing the J-K flip-flops, the toggling action of the bits of the counter is determined by:  $T_0 = E$ ,  $T_1 = A_0E$ ,  $T_2 = A_0A_1E$ ,  $T_3 = A_0A_1A_2E$ . Since  $D_A = A \oplus T_A$  the inputs of the flip-flops of the counter are determined by:  $D_{A0} = A_0 \oplus E$ ;  $D_{A1} = A_1 \oplus (A_0E)$ ;  $D_{A2} = A_2 \oplus (A_0A_1E)$ ;  $D_{A3} = A_3 \oplus (A_0A_1A_2E)$ .

6.18 When  $up = down = 1$  the circuit counts up.

|  | $up$ | $down$ | $x$ | $y$ | Operation  |
|--|------|--------|-----|-----|------------|
|  | 0    | 0      | 0   | 0   | No change  |
|  | 0    | 1      | 0   | 0   | Count down |
|  | 1    | 0      | 1   | 0   | Count up   |
|  | 1    | 1      | 0   | 0   | No change  |



$$x = up (down)'$$

$$y = (up)'down$$

6.19 (b) From the state table in Table 6.5:

$$D_{Q1} = Q_1'$$

$$D_{Q2} = \sum (1, 2, 5, 6)$$

$$D_{Q4} = \sum (3, 4, 5, 6)$$

$$D_{Q8} = \sum (7, 8)$$

$$\text{Don't care: } d = \sum (10, 11, 12, 13, 14, 15)$$

Simplifying with maps:

$$D_{Q2} = Q_2Q_1' + Q_8Q_2'Q_1$$

$$D_{Q4} = Q_4Q_1' + Q_4Q_2' + Q_4Q_2Q_1$$

$$D_{Q8} = Q_8Q_1' + Q_4Q_2Q_1$$

(a)

| Present state     | Next state        | Flip-flop inputs |          |                 |          |                 |          |
|-------------------|-------------------|------------------|----------|-----------------|----------|-----------------|----------|
|                   |                   | $J_{48} K_{48}$  |          | $J_{44} K_{44}$ |          | $J_{41} K_{41}$ |          |
| $A_8 A_4 A_2 A_1$ | $A_8 A_4 A_2 A_1$ | $J_{48}$         | $K_{48}$ | $J_{44}$        | $K_{44}$ | $J_{41}$        | $K_{41}$ |
| 0000              | 0001              | 0                | x        | 0               | x        | 0               | x        |
| 0001              | 0010              | 0                | x        | 0               | x        | 1               | x        |
| 0010              | 0011              | 0                | x        | 0               | x        | x               | 0        |
| 0011              | 0100              | 0                | x        | 1               | x        | x               | 1        |
| 0100              | 0101              | 0                | x        | x               | 0        | 0               | x        |
| 0101              | 0110              | 0                | x        | x               | 0        | 1               | x        |
| 0110              | 0111              | 0                | x        | x               | 0        | x               | 0        |
| 0111              | 1000              | 1                | x        | x               | 1        | x               | 1        |
| 1000              | 1001              | x                | 0        | 0               | x        | 0               | x        |
| 1001              | 0000              | x                | 1        | 0               | x        | 0               | x        |

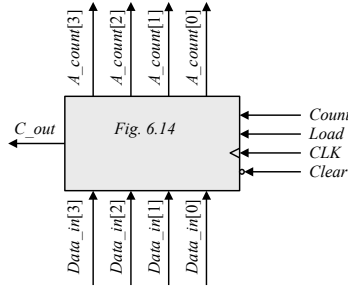
$$\begin{aligned}
 J_{41} &= 1 \\
 K_{41} &= 1 \\
 J_{42} &= A_1 A_8' \\
 K_{42} &= A_1 \\
 J_{44} &= A_1 A_2 \\
 K_{44} &= A_1 A_2' \\
 J_{48} &= A_1 A_2 A_4 \\
 K_{48} &= A_1
 \end{aligned}$$

$$d(A_8, A_4, A_2, A_1) = \Sigma(10, 11, 12, 13, 14, 15)$$

6.20 (a)

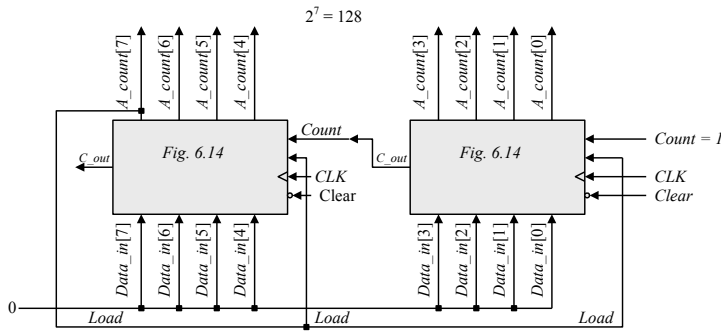
Block diagram of 4-bit circuit:

16-bit counter needs 4 circuits with output carry connected to the count input of the next stage.



(b)

Need 2 units to count to 127. Counter is re-loaded with 0s when count reaches 128. An alternative version would AND output bits 0 through 6 and assert Load while the count is 127.





6.21 (a)

$$J_{A0} = LI_0 + L'C \quad KA_0 = LI'_0 + L'C$$

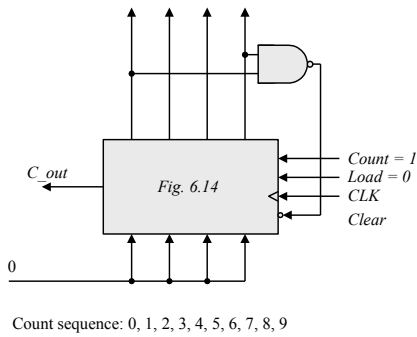
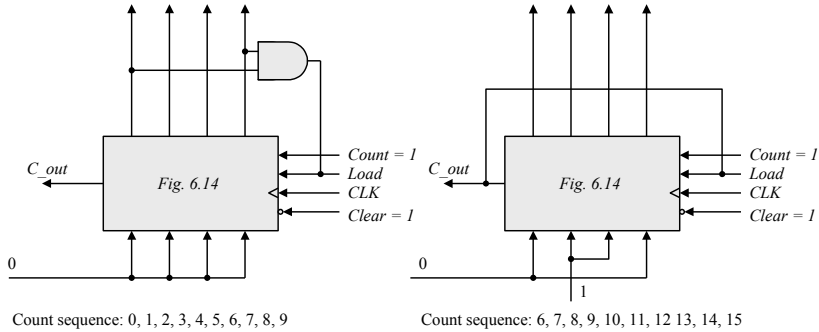
(b)

$$J = [L(LI)']'(L + C) = (L' + LI)(L + C)$$

$$LI + L'C + LIC = LI + L'C \text{ (use a map)}$$

$$K = (LI)'(L + C) = (L' + I')(L + C) = LI' + L'C$$

6.22

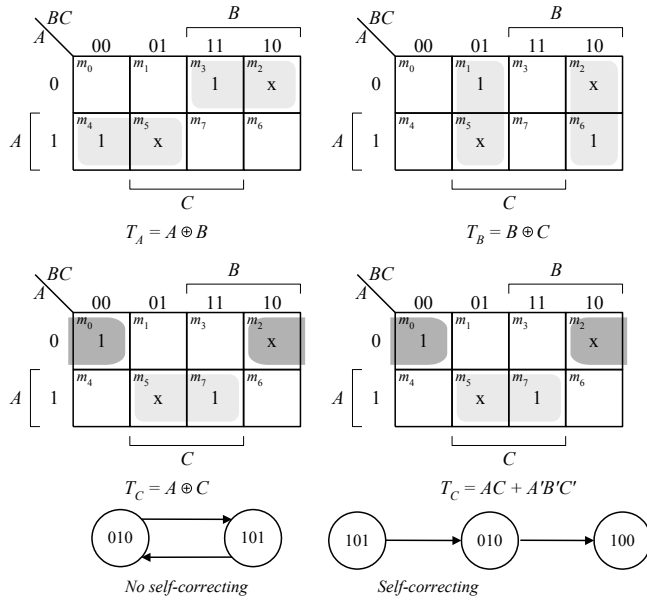


6.23

Use a 4-bit counter and a flip-flop (initially at 0). A start signal sets the flip-flop, which in turn enables the counter. On the count of 11 (binary 1011) reset the flip-flop to 0 to disable the count (with the value of 0000).

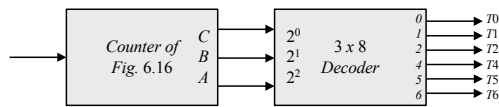
6.24

| Present state<br>ABC | Next state<br>ABC | Flip-flop inputs |       |       |
|----------------------|-------------------|------------------|-------|-------|
|                      |                   | $T_A$            | $T_B$ | $T_C$ |
| 000                  | 001               | 0                | 0     | 1     |
| 001                  | 011               | 0                | 1     | 0     |
| 010                  | xxx               | x                | x     | x     |
| 011                  | 111               | 1                | 1     | 0     |
| 100                  | 000               | 1                | 1     | 0     |
| 101                  | xxx               | x                | x     | x     |
| 110                  | 100               | 0                | 1     | 0     |
| 111                  | 110               | 0                | 0     | 1     |



6.25 (a) Use a 6-bit ring counter.

(b)

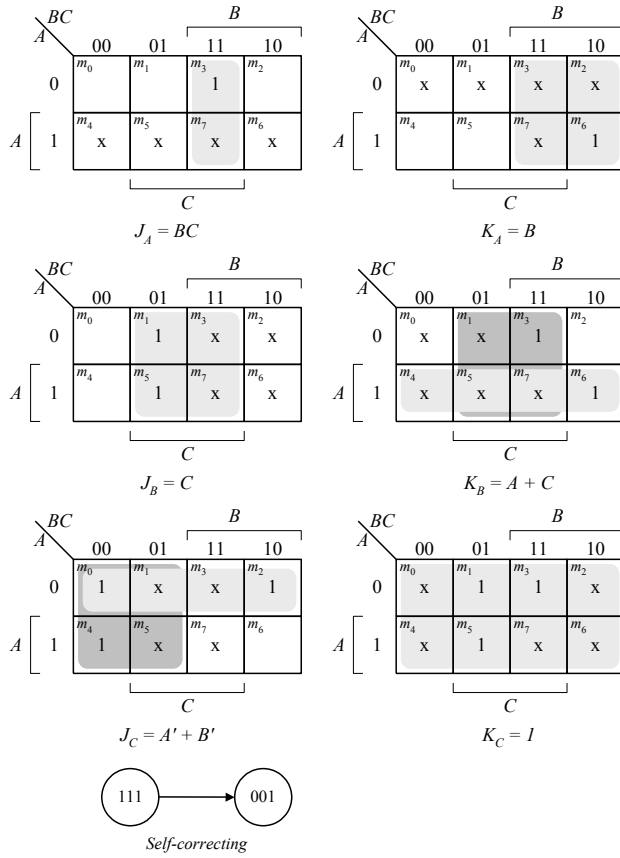


6.26 The clock generator has a period of 12.5 ns. Use a 2-bit counter to count four pulses.

$80/4 = 20 \text{ MHz}$ ; cycle time =  $1000 \times 10^{-9} / 20 = 50 \text{ ns}$ .

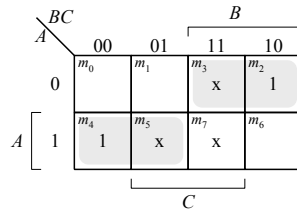
6.27

| Present state<br>ABC | Next state<br>ABC | Flip-flop inputs |       |       |       |       |       |
|----------------------|-------------------|------------------|-------|-------|-------|-------|-------|
|                      |                   | $J_A$            | $K_A$ | $J_B$ | $K_B$ | $J_C$ | $K_C$ |
| 000                  | 001               | 0                | x     | 0     | x     | 1     | x     |
| 001                  | 010               | 0                | x     | 1     | x     | x     | 1     |
| 010                  | 011               | 0                | x     | x     | 0     | 1     | x     |
| 011                  | 100               | 1                | x     | x     | 1     | x     | 1     |
| 100                  | 100               | x                | x     | 0     | 0     | 1     | x     |
| 101                  | 110               | x                | x     | 1     | x     | x     | 1     |
| 110                  | 000               | x                | x     | x     | 1     | 0     | x     |
| 111                  | xxx               | x                | x     | x     | x     | x     | x     |

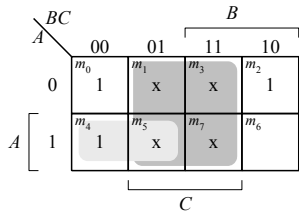


6.28

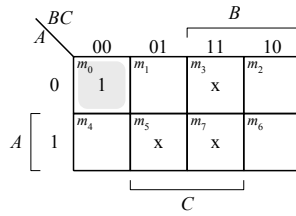
| Present state<br>ABC | Next state<br>ABC |
|----------------------|-------------------|
| 000                  | 001               |
| 001                  | 010               |
| 010                  | 100               |
| 011                  | xxx               |
| 100                  | 110               |
| 101                  | xxx               |
| 110                  | 000               |
| 111                  | xxx               |



$D_A = A \oplus B$

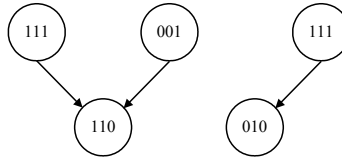


$D_B = AB' + C$



$D_C = A'B'C'$

Self-correcting

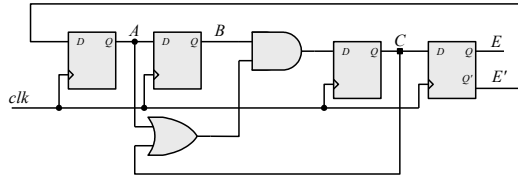


- 6.29 (a) The 8 valid states are listed in Fig. 8.18(b), with the sequence: 0, 8, 12, 14, 15, 7, 3, 1, 0, ....

The 8 unused states and their next states are shown below:

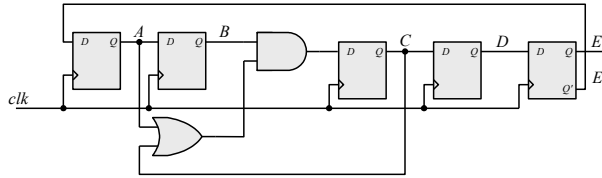
| State | Next state | All invalid states |
|-------|------------|--------------------|
| ABCE  | ABCE       |                    |
| 0000  | 1001       | 9                  |
| 0100  | 1010       | 10                 |
| 0101  | 0010       | 2                  |
| 0110  | 1011       | 11                 |
| 1001  | 0100       | 4                  |
| 1010  | 1101       | 13                 |
| 1011  | 0101       | 5                  |
| 1101  | 0110       | 6                  |

- (b) Modification:  $D_C = (A + C)B$ .

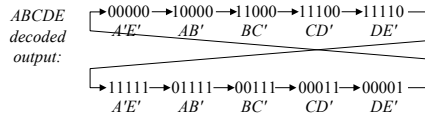


The valid states are the same as in (a). The unused states have the following sequences:  $2 \rightarrow 9 \rightarrow 4 \rightarrow 8$  and  $10 \rightarrow 13 \rightarrow 6 \rightarrow 11 \rightarrow 5 \rightarrow 0$ . The final states, 0 and 8, are valid.

6.30



The 5-bit Johnson counter has the following state sequence:



6.31

```

module Reg_4_bit_beh (output reg A3, A2, A1, A0, input I3, I2, I1, I0, Clock, Clear);
always @ (posedge Clock, negedge Clear)
 if (Clear == 0) {A3, A2, A1, A0} <= 4'b0;
 else {A3, A2, A1, A0} <= {I3, I2, I1, I0};
endmodule

```

```

module Reg_4_bit_Str (output A3, A2, A1, A0, input I3, I2, I1, I0, Clock, Clear);
 DFF M3DFF (A3, I3, Clock, Clear);
 DFF M2DFF (A2, I2, Clock, Clear);
 DFF M1DFF (A1, I1, Clock, Clear);
 DFF M0DFF (A0, I0, Clock, Clear);
endmodule

```

```

module DFF(output reg Q, input D, clk, clear);
always @ (posedge clk, posedge clear)
 if (clear == 0) Q <= 0; else Q <= D;
endmodule

```

```

module t_Reg_4_bit ();
wire A3_beh, A2_beh, A1_beh, A0_beh;
wire A3_str, A2_str, A1_str, A0_str;
reg I3, I2, I1, I0, Clock, Clear;
wire [3:0] I_data = {I3, I2, I1, I0};
wire [3:0] A_beh = {A3_beh, A2_beh, A1_beh, A0_beh};
wire [3:0] A_str = {A3_str, A2_str, A1_str, A0_str};

```

```

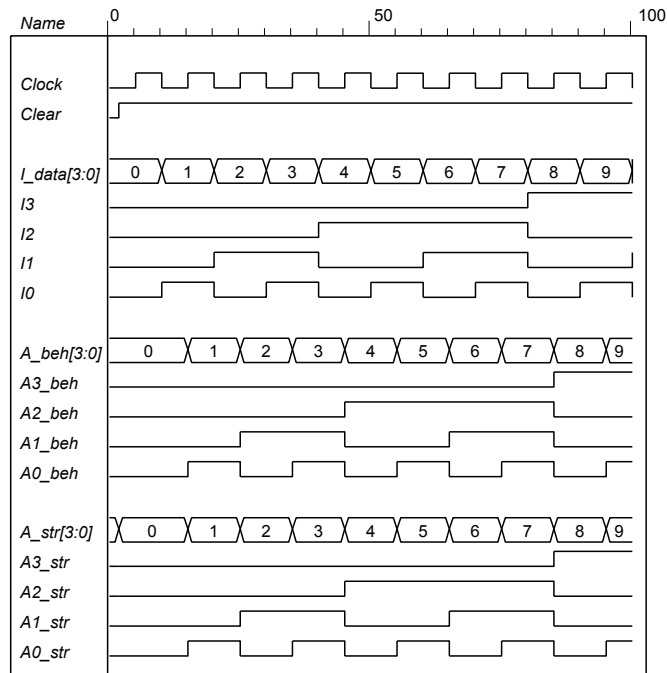
Reg_4_bit_beh M_beh (A3_beh, A2_beh, A1_beh, A0_beh, I3, I2, I1, I0, Clock, Clear);
Reg_4_bit_Str M_str (A3_str, A2_str, A1_str, A0_str, I3, I2, I1, I0, Clock, Clear);

```

```

initial #100 $finish;
initial begin Clock = 0; forever #5 Clock = ~Clock; end
initial begin Clear = 0; #2 Clear = 1; end
integer K;
initial begin
 for (K = 0; K < 16; K = K + 1) begin {I3, I2, I1, I0} = K; #10 ; end
end
endmodule

```



6.32 (a)

```

module Reg_4_bit_Load (output reg A3, A2, A1, A0, input I3, I2, I1, I0, Load, Clock, Clear);
always @ (posedge Clock, negedge Clear)
 if (Clear == 0) {A3, A2, A1, A0} <= 4'b0;
 else if (Load) {A3, A2, A1, A0} <= {I3, I2, I1, I0};
endmodule

```

```

module t_Reg_4_Load ();
wire A3_beh, A2_beh, A1_beh, A0_beh;
reg I3, I2, I1, I0, Load, Clock, Clear;
wire [3:0] I_data = {I3, I2, I1, I0};
wire [3:0] A_beh = {A3_beh, A2_beh, A1_beh, A0_beh};

```

```

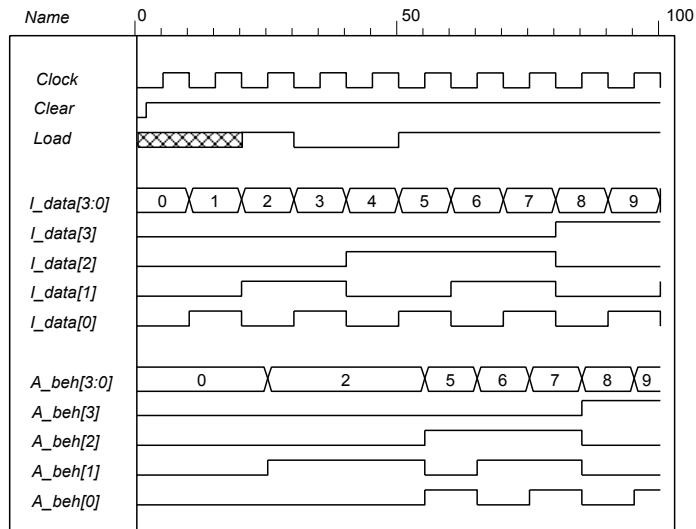
Reg_4_bit_Load M0 (A3_beh, A2_beh, A1_beh, A0_beh, I3, I2, I1, I0, Load, Clock, Clear);

```

```

initial #100 $finish;
initial begin Clock = 0; forever #5 Clock = ~Clock; end
initial begin Clear = 0; #2 Clear = 1; end
integer K;
initial fork
 #20 Load = 1;
 #30 Load = 0;
 #50 Load = 1;
join
initial begin
 for (K = 0; K < 16; K = K + 1) begin {I3, I2, I1, I0} = K; #10 ; end
end
endmodule

```



(b)

```

module Reg_4_bit_Load_str (output A3, A2, A1, A0, input I3, I2, I1, I0, Load, Clock, Clear);
 wire y3, y2, y1, y0;
 mux_2 M3 (y3, A3, I3, Load);
 mux_2 M2 (y2, A2, I2, Load);
 mux_2 M1 (y1, A1, I1, Load);
 mux_2 M0 (y0, A0, I0, Load);

```

```

 DFF M3DFF (A3, y3, Clock, Clear);
 DFF M2DFF (A2, y2, Clock, Clear);
 DFF M1DFF (A1, y1, Clock, Clear);
 DFF M0DFF (A0, y0, Clock, Clear);
endmodule

```

```

module DFF(output reg Q, input D, clk, clear);
 always @ (posedge clk, posedge clear)
 if (clear == 0) Q <= 0; else Q <= D;
endmodule

```

```

module mux_2 (output y, input a, b, sel);
 assign y = sel ? a : b;
endmodule

```

```

module t_Reg_4_Load_str ();
 wire A3, A2, A1, A0;
 reg I3, I2, I1, I0, Load, Clock, Clear;
 wire [3: 0] I_data = {I3, I2, I1, I0};
 wire [3: 0] A = {A3, A2, A1, A0};

```

```

 Reg_4_bit_Load_str M0 (A3, A2, A1, A0, I3, I2, I1, I0, Load, Clock, Clear);

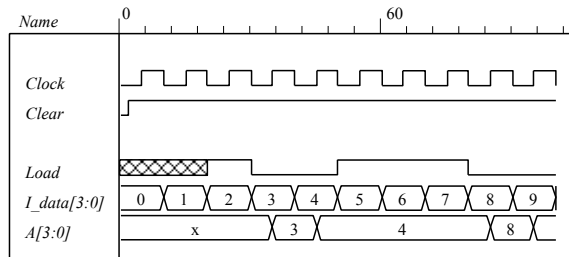
```



```

initial #100 $finish;
initial begin Clock = 0; forever #5 Clock = ~Clock; end
initial begin Clear = 0; #2 Clear = 1; end
integer K;
initial fork
 #20 Load = 1;
 #30 Load = 0;
 #50 Load = 1;
 #80 Load = 0;
join
initial begin
 for (K = 0; K < 16; K = K + 1) begin {I3, I2, I1, I0} = K; #10 ; end
end
endmodule

```



(c)

```

module Reg_4_bit_Load_beh (output reg A3, A2, A1, A0, input I3, I2, I1, I0, Load, Clock, Clear);
always @ (posedge Clock, negedge Clear)
 if (Clear == 0) {A3, A2, A1, A0} <= 4'b0;
 else if (Load) {A3, A2, A1, A0} <= {I3, I2, I1, I0};
endmodule

```

```

module Reg_4_bit_Load_str (output A3, A2, A1, A0, input I3, I2, I1, I0, Load, Clock, Clear);
 wire y3, y2, y1, y0;
 mux_2 M3 (y3, A3, I3, Load);
 mux_2 M2 (y2, A2, I2, Load);
 mux_2 M1 (y1, A1, I1, Load);
 mux_2 M0 (y0, A0, I0, Load);

```

```

 DFF M3DFF (A3, y3, Clock, Clear);
 DFF M2DFF (A2, y2, Clock, Clear);
 DFF M1DFF (A1, y1, Clock, Clear);
 DFF M0DFF (A0, y0, Clock, Clear);
endmodule

```

```

module DFF(output reg Q, input D, clk, clear);
always @ (posedge clk, posedge clear)
 if (clear == 0) Q <= 0; else Q <= D;
endmodule

```

```

module mux_2 (output y, input a, b, sel);
 assign y = sel ? a : b;
endmodule

```

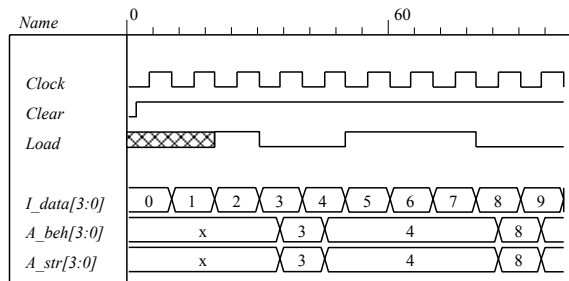
```

module t_Reg_4_Load_str ();
wire A3_beh, A2_beh, A1_beh, A0_beh;
wire A3_str, A2_str, A1_str, A0_str;
reg I3, I2, I1, I0, Load, Clock, Clear;
wire [3:0] I_data, A_beh, A_str;
assign I_data = {I3, I2, I1, I0};
assign A_beh = {A3_beh, A2_beh, A1_beh, A0_beh};
assign A_str = {A3_str, A2_str, A1_str, A0_str};

Reg_4_bit_Load_str M0 (A3_beh, A2_beh, A1_beh, A0_beh, I3, I2, I1, I0, Load, Clock, Clear);
Reg_4_bit_Load_str M1 (A3_str, A2_str, A1_str, A0_str, I3, I2, I1, I0, Load, Clock, Clear);

initial #100 $finish;
initial begin Clock = 0; forever #5 Clock = ~Clock; end
initial begin Clear = 0; #2 Clear = 1; end
integer K;
initial fork
 #20 Load = 1;
 #30 Load = 0;
 #50 Load = 1;
 #80 Load = 0;
join
initial begin
 for (K = 0; K < 16; K = K + 1) begin {I3, I2, I1, I0} = K; #10 ; end
end
endmodule

```



## 6.33

// Stimulus for testing the binary counter of Example 6-3

```

module testcounter;
reg Count, Load, CLK, Clr;
reg [3:0] IN;
wire C0;
wire [3:0] A;
Binary_Counter_4_Par_Load M0 (
 A, // Data output
 C0, // Output carry
 IN, // Data input
 Count, // Active high to count
 Load, // Active high to load
 CLK, // Positive edge sensitive
 Clr // Active low
);

```

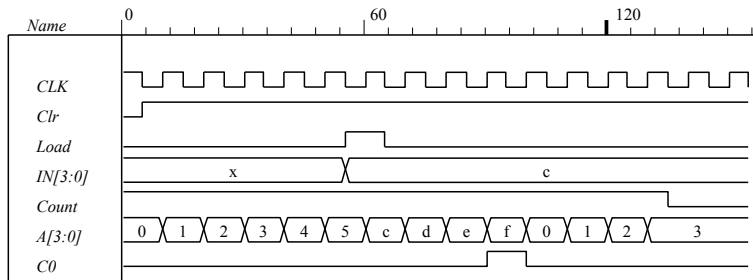
```

always
#5 CLK = ~CLK;
initial
begin
 Clr = 0; // Clear de-asserted
 CLK = 1; // Clock initialized high
 Load = 0; Count = 1; // Enable count
#5 Clr = 1; // Clears count, then counts for five cycles
#50 Load = 1; IN = 4'b1100; // Count is set to 4'b1100 (1210)
#10 Load = 0;
#70 Count = 0; // Count is deasserted at t = 135
#20 $finish; // Terminate simulation
end
endmodule
// Four-bit binary counter with parallel load
// See Figure 6-14 and Table 6-6
module Binary_Counter_4_Par_Load (
 output reg [3:0] A_count, // Data output
 output C_out, // Output carry
 input [3:0] Data_in, // Data input
 input Count, // Active high to count
 Load, // Active high to load
 CLK, // Positive edge sensitive
 Clear // Active low
);

assign C_out = Count & (~Load) & (A_count == 4'b1111);
always @ (posedge CLK, negedge Clear)
if (~Clear) A_count <= 4'b0000;
else if (Load) A_count <= Data_in;
else if (Count) A_count <= A_count + 1'b1;
else A_count <= A_count; // redundant statement
endmodule

// Note: a preferred description if the clock is given by:
// initial begin CLK = 0; forever #5 CLK = ~CLK; end

```



## 6.34

```

module Shiftreg (SI, SO, CLK);
 input SI, CLK;
 output SO;
 reg [3: 0] Q;
 assign SO = Q[0];
 always @ (posedge CLK)
 Q = {SI, Q[3: 1]};
endmodule

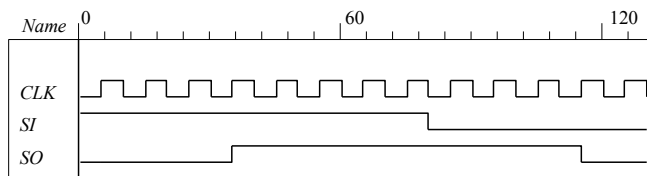
// Test plan
//
// Verify that data shift through the register
// Set SI =1 for 4 clock cycles
// Hold SI =1 for 4 clock cycles
// Set SI = 0 for 4 clock cycles
// Verify that data shifts out of the register correctly

module t_Shiftreg;
 reg SI, CLK;
 wire SO;

 Shiftreg M0 (SI, SO, CLK);

 initial #130 $finish;
 initial begin CLK = 0; forever #5 CLK = ~CLK; end
 initial fork
 SI = 1'b1;
 #80 SI = 0;
 join
endmodule

```



6.35 (a) Note that *Load* has priority over *Clear*.

```

module Prob_6_35a (output [3: 0] A, input [3:0] I, input Load, Clock, Clear);
 Register_Cell R0 (A[0], I[0], Load, Clock, Clear);
 Register_Cell R1 (A[1], I[1], Load, Clock, Clear);
 Register_Cell R2 (A[2], I[2], Load, Clock, Clear);
 Register_Cell R3 (A[3], I[3], Load, Clock, Clear);
endmodule

```

```

module Register_Cell (output A, input I, Load, Clock, Clear);
 DFF M0 (A, D, Clock);
 not (Load_b, Load);
 not (w1, Load_b);
 not (Clear_b, Clear);
 and (w2, I, w1);
 and (w3, A, Load_b, Clear_b);
 or (D, w2, w3);
endmodule

```

```

module DFF (output reg Q, input D, clk);
always @ (posedge clk) Q <= D;
endmodule

```

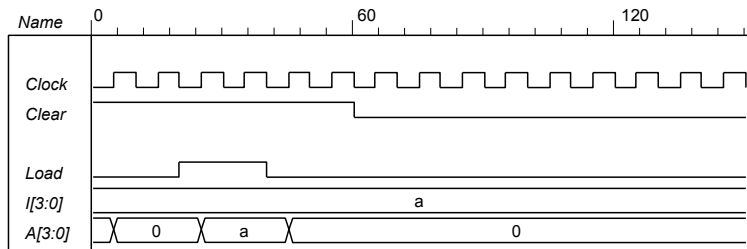
```

module t_Prob_6_35a ();

 wire [3: 0] A;
 reg [3: 0] I;
 reg Clock, Clear, Load;

 Prob_6_35a M0 (A, I, Load, Clock, Clear);
 initial #150 $finish;
 initial begin Clock = 0; forever #5 Clock = ~Clock; end
 initial fork
 I = 4'b1010; Clear = 1;
 #40 Clear = 0;
 Load = 0;
 #20 Load = 1;
 #40 Load = 0;
 join
endmodule

```



(b) Note: The solution below replaces the solution given on the preliminary CD.

```

module Prob_6_35b (output reg [3: 0] A, input [3:0] I, input Load, Clock, Clear);
always @ (posedge Clock)
 if (Load) A <= I;
 else if (Clear) A <= 4'b0;
 //else A <= A; // redundant statement

```

```

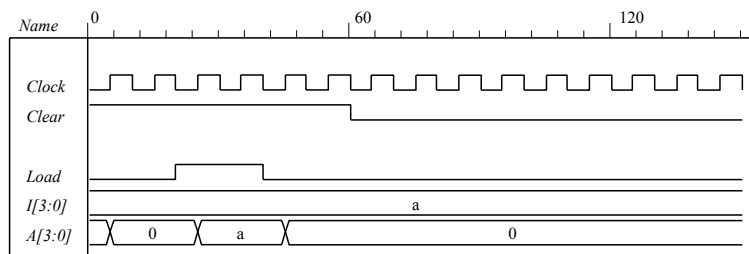
endmodule

module t_Prob_6_35b ();

 wire [3: 0] A;
 reg [3: 0] I;
 reg Clock, Clear, Load;

 Prob_6_35b M0 (A, I, Load, Clock, Clear);
 initial #150 $finish;
 initial begin Clock = 0; forever #5 Clock = ~Clock; end
 initial fork
 I = 4'b1010; Clear = 1;
 #60 Clear = 0;
 Load = 0;
 #20 Load = 1;
 #40 Load = 0;
 join
endmodule

```



(c)

```

module Prob_6_35c (output [3: 0] A, input [3:0] I, input Shift, Load, Clock);
 Register_Cell R0 (A[0], I[0], A[1], Shift, Load, Clock);
 Register_Cell R1 (A[1], I[1], A[2], Shift, Load, Clock);
 Register_Cell R2 (A[2], I[2], A[3], Shift, Load, Clock);
 Register_Cell R3 (A[3], I[3], A[0], Shift, Load, Clock);
endmodule

module Register_Cell (output A, input I, Serial_in, Shift, Load, Clock);
 DFF M0 (A, D, Clock);
 not (Shift_b, Shift);
 not (Load_b, Load);
 and (w1, Shift, Serial_in);
 and (w2, Shift_b, Load, I);

 and (w3, A, Shift_b, Load_b);
 or (D, w1, w2, w3);
endmodule

module DFF (output reg Q, input D, clk);
always @ (posedge clk) Q <= D;
endmodule

module t_Prob_6_35c ();

 wire [3: 0] A;
 reg [3: 0] I;

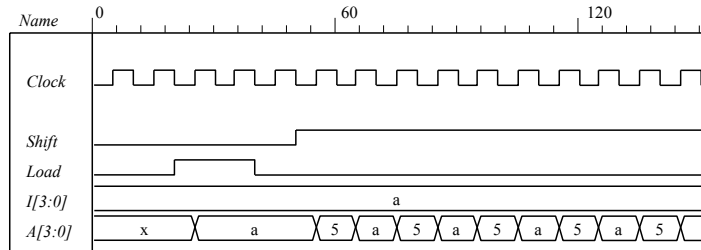
```

```

reg Clock, Shift, Load;

Prob_6_35c M0 (A, I, Shift, Load, Clock);
initial #150 $finish;
initial begin Clock = 0; forever #5 Clock = ~Clock; end
initial fork
I = 4'b1010;
Load = 0; Shift = 0;
#20 Load = 1;
#40 Load = 0;
#50 Shift = 1;
join
endmodule

```



(d)

```

module Prob_6_35d (output reg [3: 0] A, input [3:0] I, input Shift, Load, Clock, Clear);
always @ (posedge Clock)
if (Shift) A <= {A[0], A[3:1]};
else if (Load) A <= I;
else if (Clear) A <= 4'b0;
//else A <= A; // redundant statement
endmodule

```

```

module t_Prob_6_35d ();

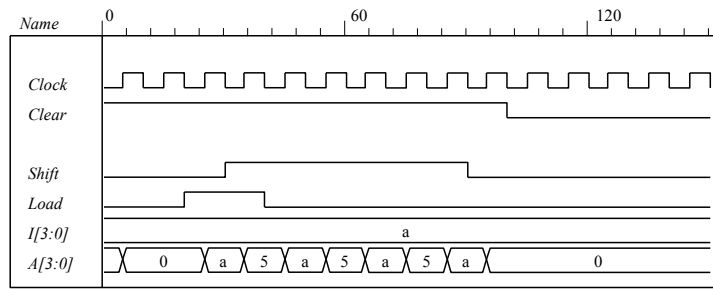
```

```

wire [3: 0] A;
reg [3: 0] I;
reg Clock, Clear, Shift, Load;

Prob_6_35d M0 (A, I, Shift, Load, Clock, Clear);
initial #150 $finish;
initial begin Clock = 0; forever #5 Clock = ~Clock; end
initial fork
I = 4'b1010; Clear = 1;
#100 Clear = 0;
Load = 0;
#20 Load = 1;
#40 Load = 0;
#30 Shift = 1;
#90 Shift = 0;
join
endmodule

```





```

(e)
module Shift_Register
 (output [3: 0] A_par, input [3: 0] I_par, input MSB_in, LSB_in, s1, s0, CLK, Clear);
 wire y3, y2, y1, y0;
 DFF D3 (A_par[3], y3, CLK, Clear);
 DFF D2 (A_par[2], y2, CLK, Clear);
 DFF D1 (A_par[1], y1, CLK, Clear);
 DFF D0 (A_par[0], y0, CLK, Clear);

 MUX_4x1 M3 (y3, I_par[3], A_par[2], MSB_in, A_par[3], s1, s0);
 MUX_4x1 M2 (y2, I_par[2], A_par[1], A_par[3], A_par[2], s1, s0);
 MUX_4x1 M1 (y1, I_par[1], A_par[0], A_par[2], A_par[1], s1, s0);
 MUX_4x1 M0 (y0, I_par[0], LSB_in, A_par[1], A_par[0], s1, s0);
endmodule

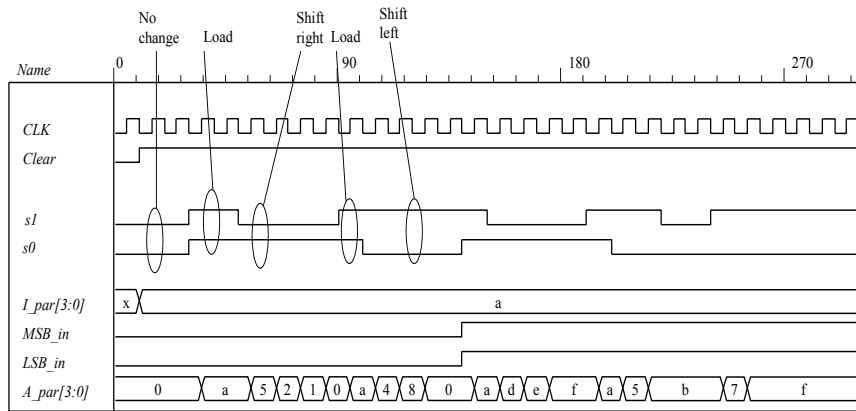
module MUX_4x1 (output reg y, input I3, I2, I1, I0, s1, s0);
 always @ (I3, I2, I1, I0, s1, s0)
 case ({s1, s0})
 2'b11: y = I3;
 2'b10: y = I2;
 2'b01: y = I1;
 2'b00: y = I0;
 endcase
endmodule

module DFF (output reg Q, input D, clk, reset_b);
 always @ (posedge clk, negedge reset_b) if (reset_b == 0) Q <= 0; else Q <= D;
endmodule

module t_Shift_Register ();
 wire [3: 0] A_par;
 reg [3: 0] I_par;
 reg MSB_in, LSB_in, s1, s0, CLK, Clear;

 Shift_Register M_SR(A_par, I_par, MSB_in, LSB_in, s1, s0, CLK, Clear);
 initial #300 $finish;
 initial begin CLK = 0; forever #5 CLK = ~CLK; end
 initial fork
 MSB_in = 0; LSB_in = 0;
 Clear = 0; // Active-low reset
 s1 = 0; s0 = 0; // No change
 #10 Clear = 1;
 #10 I_par = 4'hA;
 #30 begin s1 = 1; s0 = 1; end // 00: load I_par into A_par
 #50 s1 = 0; // 01: shift right (1010 to 0101 to 0010 to 0001 to 0000)
 #90 begin s1 = 1; s0 = 1; end // 11: reload A with 1010
 #100 s0 = 0; // 10: shift left (1010 to 0100 to 1000 to 000)
 #140 begin s1 = 1; s0 = 1; MSB_in = 1; LSB_in = 1; end // Repeat with MSB and LSB
 #150 s1 = 0;
 #190 begin s1 = 1; s0 = 1; end // reload with A = 1010
 #200 s0 = 0; // Shift left
 #220 s1 = 0; // Pause
 #240 s1 = 1; // Shift left
 join
endmodule

```



(f)

```
module Shift_Register_BEH
(output [3: 0] A_par, input [3: 0] I_par, input MSB_in, LSB_in, s1, s0, CLK, Clear);
```

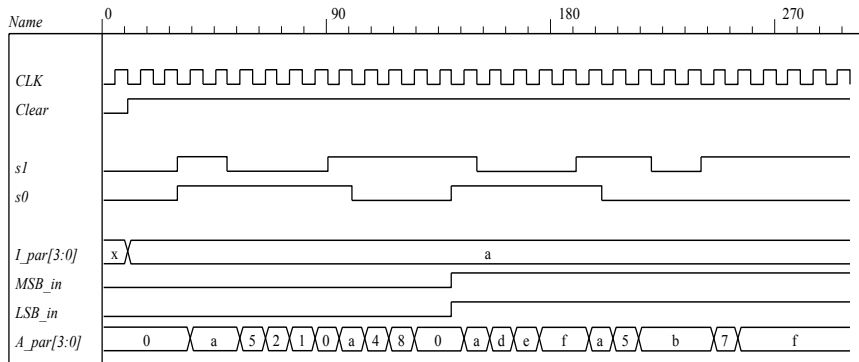
```
always @ (posedge CLK, negedge Clear) if (Clear == 0) A_par <= 4'b0;
```

```
else case ({s1, s0})
2'b11: A_par <= I_par;
2'b01: A_par <= {MSB_in, A_par[3: 1]};
2'b10: A_par <= {A_par[2: 0], LSB_in};
2'b00: A_par <= A_par;
endcase
```

```
endmodule
```

```
module t_Shift_Register ();
wire [3: 0] A_par;
reg [3: 0] I_par;
reg MSB_in, LSB_in, s1, s0, CLK, Clear;
```

```
Shift_Register_BEH M_SR(A_par, I_par, MSB_in, LSB_in, s1, s0, CLK, Clear);
initial #300 $finish;
initial begin CLK = 0; forever #5 CLK = ~CLK; end
initial fork
MSB_in = 0; LSB_in = 0;
Clear = 0; // Active-low reset
s1 = 0; s0 = 0; // No change
#10 Clear = 1;
#10 I_par = 4'hA;
#30 begin s1 = 1; s0 = 1; end // 00: load I_par into A_par
#50 s1 = 0; // 01: shift right (1010 to 0101 to 0010 to 0001 to 0000)
#90 begin s1 = 1; s0 = 1; end // 11: reload A with 1010
#100 s0 = 0; // 10: shift left (1010 to 0100 to 1000 to 000)
#140 begin s1 = 1; s0 = 1; MSB_in = 1; LSB_in = 1; end // Repeat with MSB and LSB
#150 s1 = 0;
#190 begin s1 = 1; s0 = 1; end // reload with A = 1010
#200 s0 = 0; // Shift left
#220 s1 = 0; // Pause
#240 s1 = 1; // Shift left
join
endmodule
```



(g)

```

module Ripple_Counter_4bit_a (output [3: 0] A, input Count, reset_b);
 reg A0, A1, A2, A3;
 assign A = {A3, A2, A1, A0};
 always @ (negedge Count, negedge reset_b)
 if (reset_b == 0) A0 <= 0; else if (T) A0 <= ~A0;

 always @ (negedge A0, negedge reset_b)
 if (reset_b == 0) A1 <= 0; else if (T) A1 <= ~A1;

 always @ (negedge A1, negedge reset_b)
 if (reset_b == 0) A2 <= 0; else if (T) A2 <= ~A2;

 always @ (negedge A2, negedge reset_b)
 if (reset_b == 0) A3 <= 0; else if (T) A3 <= ~A3;
endmodule

module t_Ripple_Counter_4bit ();
 wire [3: 0] A;
 reg Count, reset_b;

 Ripple_Counter_4bit_a M0 (A, Count, reset_b);

 initial #300 $finish;
 initial fork
 reset_b = 0; // Active-low reset
 #60 reset_b = 1;

 Count = 1;
 #15 Count = 0;
 #30 Count = 1;
 #85 begin Count = 0; forever #10 Count = ~Count; end
 join
endmodule

```

```

module Ripple_Counter_4bit_b (output [3: 0] A, input Count, reset_b);
reg A0, A1, A2, A3;
assign A = {A3, A2, A1, A0};
always @ (negedge Count, negedge reset_b)
 if (reset_b == 0) A0 <= 0; else A0 <= ~A0;

always @ (negedge A0, negedge reset_b)
 if (reset_b == 0) A1 <= 0; else A1 <= ~A1;

always @ (negedge A1, negedge reset_b)
 if (reset_b == 0) A2 <= 0; else A2 <= ~A2;

always @ (negedge A2, negedge reset_b)
 if (reset_b == 0) A3 <= 0; else A3 <= ~A3;
endmodule

```

```

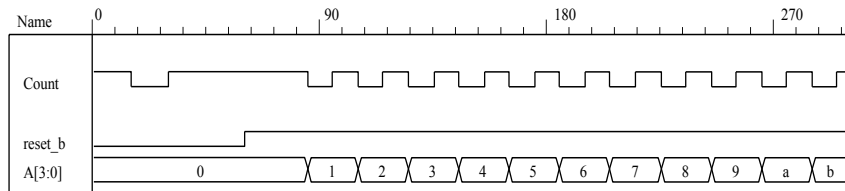
module t_Ripple_Counter_4bit ();
wire [3: 0] A;
reg Count, reset_b;

Ripple_Counter_4bit_b M0 (A, Count, reset_b);

initial #300 $finish;
initial fork
 reset_b = 0; // Active-low reset
 #60 reset_b = 1;

 Count = 1;
 #15 Count = 0;
 #30 Count = 1;
 #85 begin Count = 0; forever #10 Count = ~Count; end
join
endmodule

```



- (h) Note: This version of the solution situates the data shift registers in the test bench.

```

module Serial_Subtractor (output SO, input SI_A, SI_B, shift_control, clock, reset_b);
// See Fig. 6.5 and Problem 6.9a (2s complement serial subtractor)
reg [1: 0] sum;
wire mem = sum[1];
assign SO = sum[0];

always @ (posedge clock, negedge reset_b)
 if (reset_b == 0) begin
 sum <= 2'b10;
 end
 else if (shift_control) begin
 sum <= SI_A + (!SI_B) + sum[1];
 end

```

```

end
endmodule

module t_Serial_Subtractor ();
wire SI_A, SI_B;
reg shift_control, clock, reset_b;

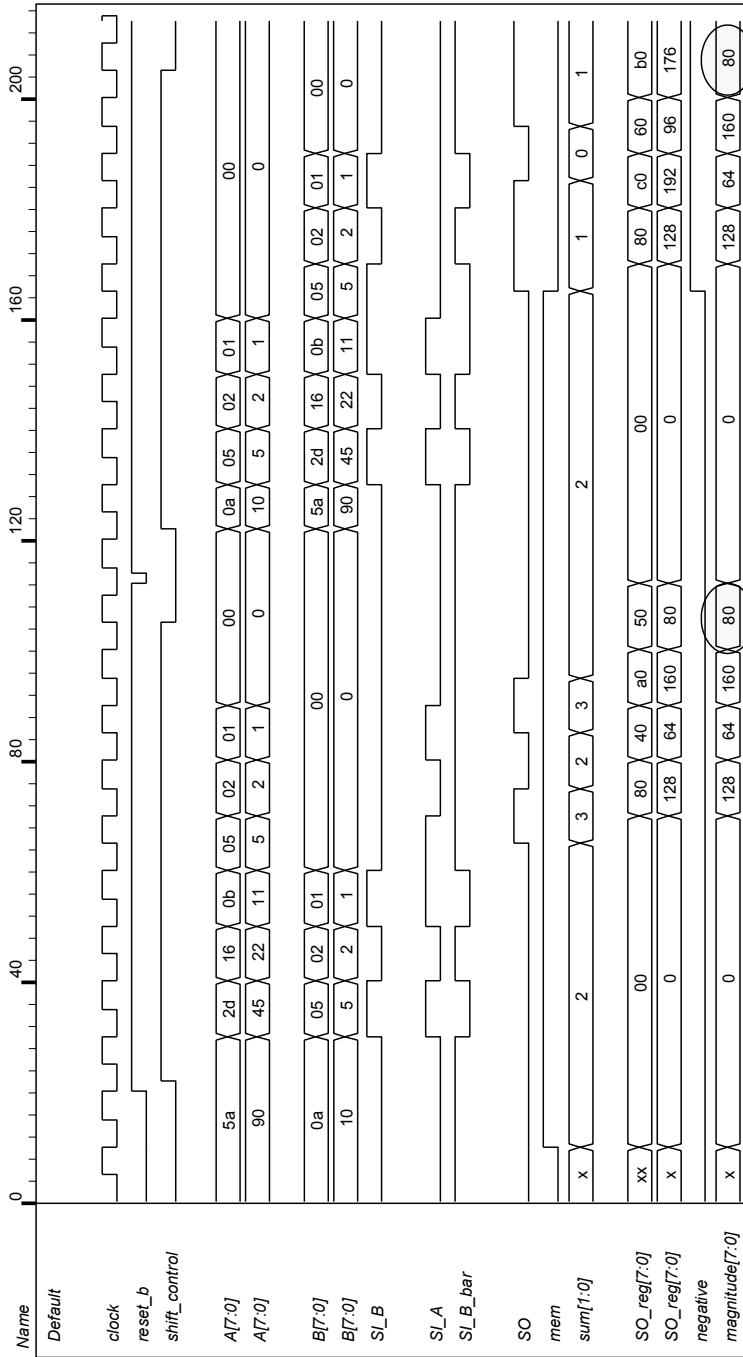
Serial_Subtractor M0 (SO, SI_A, SI_B, shift_control, clock, reset_b);

initial #250 $finish;
initial begin clock = 0; forever #5 clock = ~clock; end
initial fork
 shift_control = 0;
 #10 reset_b = 0;
 #20 reset_b = 1;
 #22 shift_control = 1;
 #105 shift_control = 0;
 #112 reset_b = 0;
 #114 reset_b = 1;
 #122 shift_control = 1;
 #205 shift_control = 0;
join
reg [7: 0] A, B, SO_reg;
wire s7;
assign s7 = SO_reg[7];
assign SI_A = A[0];
assign SI_B = B[0];
wire SI_B_bar = ~SI_B;
initial fork
 A = 8'h5A;
 B = 8'h0A;
 #122 A = 8'h0A;
 #122 B = 8'h5A;
join

always @ (negedge clock, negedge reset_b)
 if (reset_b == 0) SO_reg <= 0;
 else if (shift_control == 1) begin
 SO_reg <= {SO, SO_reg[7: 1]};
 A <= A >> 1;
 B <= B >> 1;
 end
wire negative = !M0.sum[1];
wire [7: 0] magnitude = (!negative)? SO_reg: 1'b1 + ~SO_reg;
endmodule

```

Simulation results are shown for  $5Ah - 0Ah = 50h = 80d$  and  $0Ah - 5Ah = -80$ . The magnitude of the result is also shown.



(i) See Prob. 6.35h.

```
(j)
module Serial_Twos_Comp (output y, input [7: 0] data, input load, shift_control, Clock, reset_b);
reg [7: 0] SReg;
reg Q;
wire SO = SReg [0];
assign y = SO ^ Q;
always @ (posedge Clock, negedge reset_b)
if (reset_b == 0) begin
 SReg <= 0;
 Q <= 0;
end
else begin
 if (load) SReg = data;
 else if (shift_control) begin
 Q <= Q | SO;
 SReg <= {y, SReg[7: 1]};
 end
end
endmodule

module t_Serial_Twos_Comp ();
wire y;
reg [7: 0] data;
reg load, shift_control, Clock, reset_b;

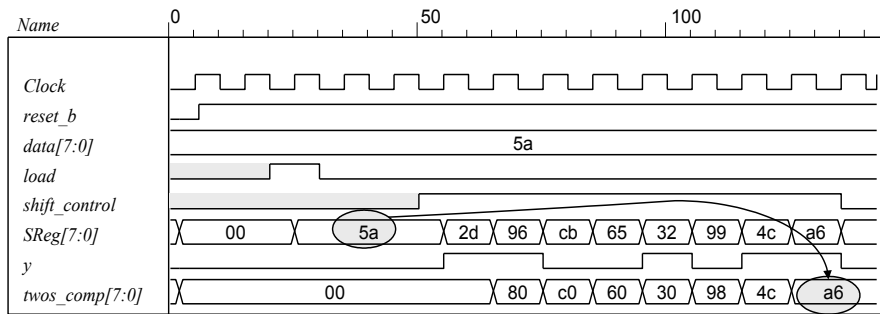
Serial_Twos_Comp M0 (y, data, load, shift_control, Clock, reset_b);

reg [7: 0] twos_comp;

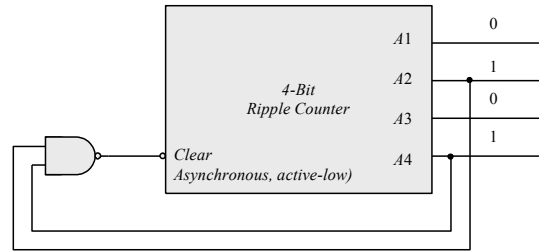
always @ (posedge Clock, negedge reset_b)
if (reset_b == 0) twos_comp <= 0;
else if (shift_control && !load) twos_comp <= {y, twos_comp[7: 1]};

initial #200 $finish;
initial begin Clock = 0; forever #5 Clock = ~Clock; end
initial begin #2 reset_b = 0; #4 reset_b = 1; end

initial fork
 data = 8'h5A;
 #20 load = 1;
 #30 load = 0;
 #50 shift_control = 1;
 #50 begin repeat (9) @ (posedge Clock) ;
 shift_control = 0;
 end
join
endmodule
```



(k) From the solution to Problem 6.13:



```

module Prob_6_35k_BCD_Counter (output A1, A2, A3, A4, input clk, reset_b);
 wire {A1, A2, A3, A4} = A;
 nand (Clear, A2, A4);
 Ripple_Counter_4bit M0 (A, Clear, reset_b);
endmodule

```

```

module Ripple_Counter_4bit (output [3: 0] A, input Count, reset_b);
 reg A0, A1, A2, A3;
 assign A = {A3, A2, A1, A0};
 always @ (negedge Count, negedge reset_b)
 if (reset_b == 0) A0 <= 0; else A0 <= ~A0;
 always @ (negedge A0, negedge reset_b)
 if (reset_b == 0) A1 <= 0; else A1 <= ~A1;
 always @ (negedge A1, negedge reset_b)
 if (reset_b == 0) A2 <= 0; else A2 <= ~A2;
 always @ (negedge A2, negedge reset_b)
 if (reset_b == 0) A3 <= 0; else A3 <= ~A3;
endmodule

```

```

module t_Prob_6_35k_BCD_Counter ();
 wire [3: 0] A;
 reg Count, reset_b;

 Prob_6_35k_BCD_Counter M0 (A1, A2, A3, A4, reset_b);
 initial #300 $finish;
 initial fork
 reset_b = 0; // Active-low reset
 #60 reset_b = 1;
 /*
 Count = 1;
 #15 Count = 0;
 #30 Count = 1;

```



```
#85 begin Count = 0; forever #10 Count = ~Count; end*/
join
endmodule
```

(l)

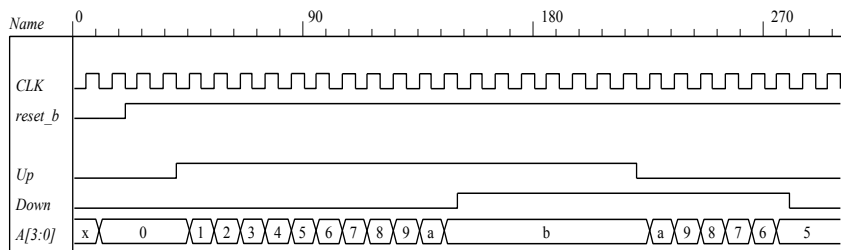
```
module Prob_6_35l_Up_Dwn_Beh (output reg [3: 0] A, input CLK, Up, Down, reset_b);

always @ (posedge CLK, negedge reset_b)
if (reset_b ==0) A <= 4'b0000;
else case ({Up, Down})
2'b10: A <= A + 4'b0001; // Up
2'b01: A <= A - 4'b0001; // Down
default: A <= A; // Suspend (Redundant statement)
endcase
endmodule

module t_Prob_6_35l_Up_Dwn_Beh ();
wire [3: 0] A;
reg CLK, Up, Down, reset_b;

Prob_6_35l_Up_Dwn_Beh M0 (A, CLK, Up, Down, reset_b);

initial #300 $finish;
initial begin CLK = 0; forever #5 CLK = ~CLK; end
initial fork
Down = 0; Up= 0;
#10 reset_b = 0;
#20 reset_b = 1;
#40 Up = 1;
#150 Down = 1;
#220 Up = 0;
#280 Down = 0;
join
endmodule
```



6.36 (a)

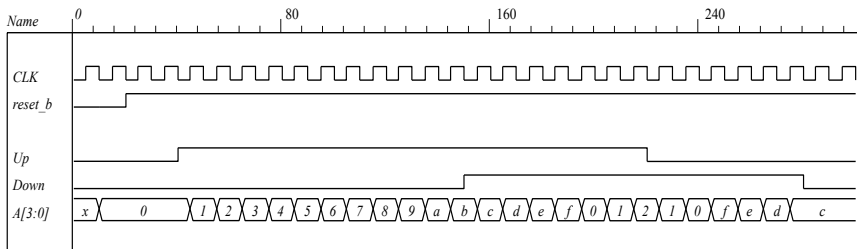
```
// See Fig. 6.13., 4-bit Up-Down Binary Counter
module Prob_6_36_Up_Dwn_Beh (output reg [3: 0] A, input CLK, Up, Down, reset_b);

always @ (posedge CLK, negedge reset_b)
if (reset_b ==0) A <= 4'b0000;
else if (Up) A <= A + 4'b0001;
else if (Down) A <= A - 4'b0001;
endmodule

module t_Prob_6_36_Up_Dwn_Beh ();
wire [3: 0] A;
reg CLK, Up, Down, reset_b;
```

```
Prob_6_36_Up_Dwn_Beh M0 (A, CLK, Up, Down, reset_b);
```

```
initial #300 $finish;
initial begin CLK = 0; forever #5 CLK = ~CLK; end
initial fork
 Down = 0; Up = 0;
 #10 reset_b = 0;
 #20 reset_b = 1;
 #40 Up = 1;
 #150 Down = 1;
 #220 Up = 0;
 #280 Down = 0;
join
endmodule
```



(b)

```
module Prob_6_36_Up_Dwn_Str (output [3: 0] A, input CLK, Up, Down, reset_b);
 wire Down_3, Up_3, Down_2, Up_2, Down_1, Up_1;
 wire A_0b, A_1b, A_2b, A_3b;
```

```
 stage_register SR3 (A[3], A_3b, Down_3, Up_3, Down_2, Up_2, A[2], A_2b, CLK, reset_b);
 stage_register SR2 (A[2], A_2b, Down_2, Up_2, Down_1, Up_1, A[1], A_1b, CLK, reset_b);
 stage_register SR1 (A[1], A_1b, Down_1, Up_1, Down_not_Up, Up, A[0], A_0b, CLK, reset_b);
 not (Up_b, Up);
 and (Down_not_Up, Down, Up_b);
 or (T, Up, Down_not_Up);
 Toggle_flop TF0 (A[0], A_0b, T, CLK, reset_b);
endmodule
```

```
module stage_register (output A, A_b, Down_not_Up_out, Up_out, input Down_not_Up, Up, A_in,
 A_in_b, CLK, reset_b);
```

```
 Toggle_flop T0 (A, A_b, T, CLK, reset_b);
 or (T, Down_not_Up_out, Up_out);
 and (Down_not_Up_out, Down_not_Up, A_in_b);
 and (Up_out, Up, A_in);
endmodule
```

```
module Toggle_flop (output reg Q, output Q_b, input T, CLK, reset_b);
 always @ (posedge CLK, negedge reset_b) if (reset_b == 0) Q <= T;
 assign Q_b = ~Q;
endmodule
```

```
endmodule
```

```
module t_Prob_6_36_Up_Dwn_Str ();
 wire [3: 0] A;
 reg CLK, Up, Down, reset_b;
 wire T3 = M0.SR3.T;
 wire T2 = M0.SR2.T;
endmodule
```

```

wire T1 = M0.SR1.T;
wire T0 = M0.T;

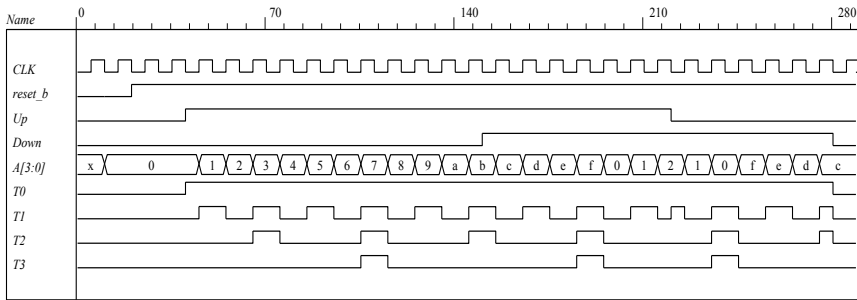
Prob_6_36_Up_Dwn_Str M0 (A, CLK, Up, Down, reset_b);

```

```

initial #150 $finish;
initial begin CLK = 0; forever #5 CLK = ~CLK; end
initial fork
 Down = 0; Up = 0;
 #10 reset_b = 0;
 #20 reset_b = 1;
 #50 Up = 1;
 #140 Down = 1;
 #120 Up = 0;
 #140 Down = 0;
join
endmodule

```



6.37

```

module Counter_if (output reg [3: 0] Count, input clock, reset);
always @ (posedge clock , posedge reset)
 if (reset)Count <= 0;
 else if (Count == 0) Count <= 1;
 else if (Count == 1) Count <= 3; // Default interpretation is decimal
 else if (Count == 3) Count <= 7;
 else if (Count == 4) Count <= 0;
 else if (Count == 6) Count <= 4;
 else if (Count == 7) Count <= 6;
 else Count <= 0;
endmodule

```

```

module Counter_case (output reg [3: 0] Count, input clock, reset);
always @ (posedge clock , posedge reset)
 if (reset)Count <= 0;
 else begin
 Count <= 0;
 case (Count)
 0: Count <= 1;
 1: Count <= 3;
 3: Count <= 7;
 4: Count <= 0;
 6: Count <= 4;
 7: Count <= 6;
 default: Count <= 0;
 endcase
 end
endmodule

```

```

module Counter_FSM (output reg [3: 0] Count, input clock, reset);
reg [2: 0] state, next_state;
parameter s0 = 0, s1 = 1, s2 = 2, s3 = 3, s4 = 4, s5 = 5, s6 = 6, s7 = 7;

always @ (posedge clock , posedge reset)
 if (reset) state <= s0; else state <= next_state;

always @ (state) begin
 Count = 0;
 case (state)
 s0: begin next_state = s1; Count = 0; end
 s1: begin next_state = s2; Count = 1; end
 s2: begin next_state = s3; Count = 3; end
 s3: begin next_state = s4; Count = 7; end
 s4: begin next_state = s5; Count = 6; end
 s5: begin next_state = s6; Count = 4; end
 default: begin next_state = s0; Count = 0; end
 endcase
end
endmodule

```

6.38 (a)

```

module Prob_6_38a_Updown (OUT, Up, Down, Load, IN, CLK); // Verilog 1995
output [3: 0] OUT;
input [3: 0] IN;
input Up, Down, Load, CLK;
reg [3:0] OUT;

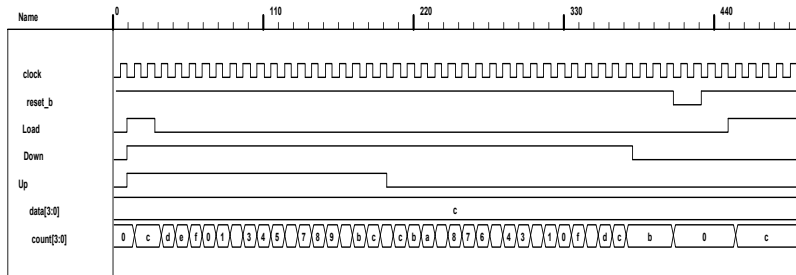
always @ (posedge CLK)
if (Load) OUT <= IN;
else if (Up) OUT <= OUT + 4'b0001;
else if (Down) OUT <= OUT - 4'b0001;
else OUT <= OUT;
endmodule

```

```

module updown (// Verilog 2001, 2005
output reg [3: 0] OUT,
input [3: 0] IN,
input Up, Down, Load, CLK
);

```



(b)

```

module Prob_6_38b_Updown (output reg [3: 0] OUT, input [3: 0] IN, input s1, s0, CLK);
always @ (posedge CLK)

```

```

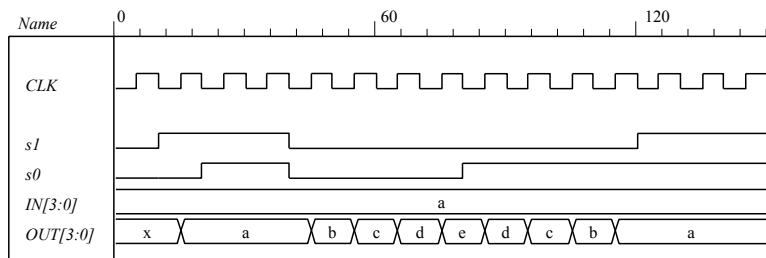
case ({s1, s0})
 2'b00: OUT <= OUT + 4'b0001;
 2'b01: OUT <= OUT - 4'b0001;
 2'b10: OUT <= IN;
 2'b11: OUT <= OUT;
endcase
endmodule

module t_Prob_6_38b_Updown ();
 wire [3: 0] OUT;
 reg [3: 0] IN;
 reg s1, s0, CLK;
 Prob_6_38b_Updown M0 (OUT, IN, s1, s0, CLK);

 initial #150 $finish;
 initial begin CLK = 0; forever #5 CLK = ~CLK; end
 initial fork
 IN = 4'b1010;

 #10 begin s1 = 1; s0 = 0; end // Load IN
 #20 begin s1 = 1; s0 = 1; end // no change
 #40 begin s1 = 0; s0 = 0; end // UP;
 #80 begin s1 = 0; s0 = 1; end // DOWN
 #120 begin s1 = 1; s0 = 1; end
 join
endmodule

```



## 6.39

```

module Prob_6_39_Counter_BEH (output reg [2: 0] Count, input Clock, reset_b);
 always @ (posedge Clock, negedge reset_b) if (reset_b == 0) Count <= 0;
 else case (Count)
 0: Count <= 1;
 1: Count <= 2;
 2: Count <= 4;
 4: Count <= 5;
 5: Count <= 6;
 6: Count <= 0;
 endcase
endmodule

module Prob_6_39_Counter_STR (output [2: 0] Count, input Clock, reset_b);
 supply1 PWR;
 wire Count_1_b = ~Count[1];

 JK_FF M2 (Count[2], Count[1], Count[1], Clock, reset_b);
 JK_FF M1 (Count[1], Count[0], PWR, Clock, reset_b);
 JK_FF M0 (Count[0], Count_1_b, PWR, Clock, reset_b);
endmodule

```

```

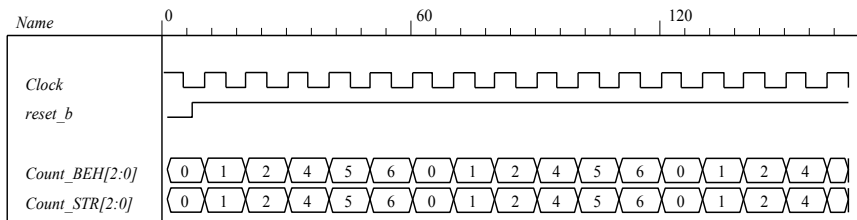
module JK_FF (output reg Q, input J, K, clk, reset_b);
always @ (posedge clk, negedge reset_b) if (reset_b == 0) Q <= 0; else
 case ({J,K})
 2'b00: Q <= Q;
 2'b01: Q <= 0;
 2'b10: Q <= 1;
 2'b11: Q <= ~Q;
 endcase
endmodule

module t_Prob_6_39_Counter ();
wire [2:0] Count_BEH, Count_STR;
reg Clock, reset_b;

Prob_6_39_Counter_BEH M0_BEH (Count_STR, Clock, reset_b);
Prob_6_39_Counter_STR M0_STR (Count_BEH, Clock, reset_b);

initial #250 $finish;
initial fork #1 reset_b = 0; #7 reset_b = 1; join
initial begin Clock = 1; forever #5 Clock = ~Clock; end
endmodule

```



## 6.40

```

module Prob_6_40 (output reg [0: 7] timer, input clk, reset_b);

always @ (negedge clk, negedge reset_b)
 if (reset_b == 0) timer <= 8'b1000_0000; else
 case (timer)
 8'b1000_0000: timer <= 8'b0100_0000;
 8'b0100_0000: timer <= 8'b0010_0000;
 8'b0010_0000: timer <= 8'b0001_0000;
 8'b0001_0000: timer <= 8'b0000_1000;
 8'b0000_1000: timer <= 8'b0000_0100;
 8'b0000_0100: timer <= 8'b0000_0010;
 8'b0000_0010: timer <= 8'b0000_0001;
 8'b0000_0001: timer <= 8'b1000_0000;
 default: timer <= 8'b1000_0000;
 endcase
endmodule

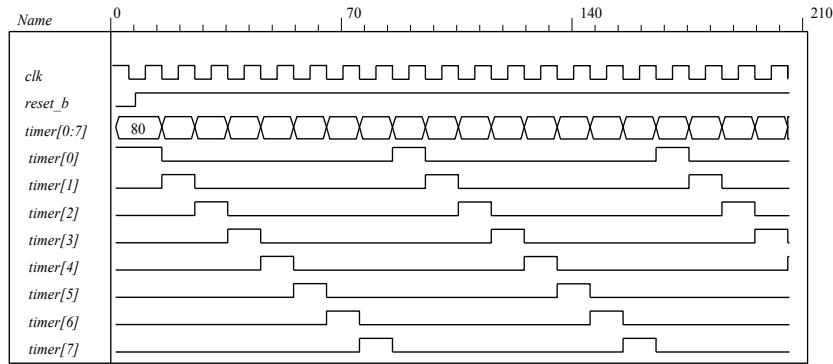
module t_Prob_6_40 ();
wire [0: 7] timer;
reg clk, reset_b;

Prob_6_40 M0 (timer, clk, reset_b);

initial #250 $finish;
initial fork #1 reset_b = 0; #7 reset_b = 1; join
initial begin clk = 1; forever #5 clk = ~clk; end

```

**endmodule**



6.41

```
module Prob_6_41_Switched_Tail_Johnson_Counter (output [0: 3] Count, input CLK, reset_b);
wire Q_0b, Q_1b, Q_2b, Q_3b;
```

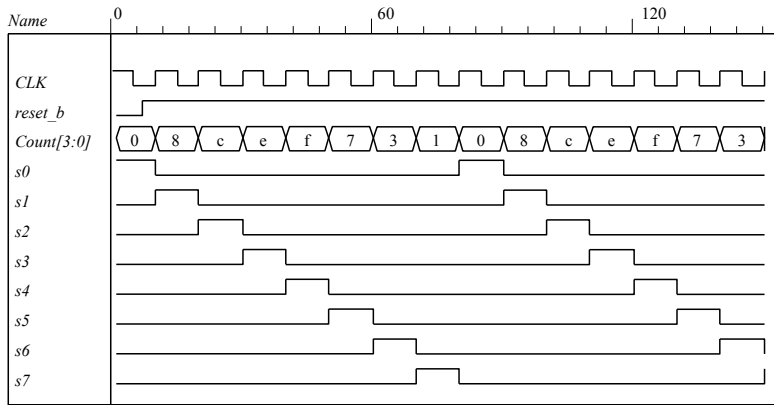
```
DFF M3 (Count[3], Q_3b, Count[2], CLK, reset_b);
DFF M2 (Count[2], Q_2b, Count[1], CLK, reset_b);
DFF M1 (Count[1], Q_1b, Count[0], CLK, reset_b);
DFF M0 (Count[0], Q_0b, Q_3b, CLK, reset_b);
```

**endmodule**

```
module DFF (output reg Q, output Q_b, input D, clk, reset_b);
assign Q_b = ~Q;
always @ (posedge clk, negedge reset_b) if (reset_b ==0) Q <= 0; else Q <= D;
endmodule
```

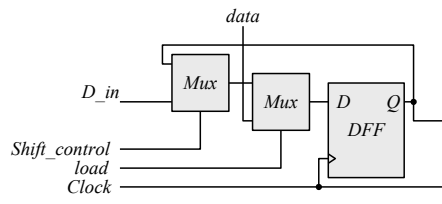
```
module t_Prob_6_41_Switched_Tail_Johnson_Counter ();
wire [3: 0] Count;
reg CLK, reset_b;
wire s0 = ~ M0.Count[0] && ~M0.Count[3];
wire s1 = M0.Count[0] && ~M0.Count[1];
wire s2 = M0.Count[1] && ~M0.Count[2];
wire s3 = M0.Count[2] && ~M0.Count[3];
wire s4 = M0.Count[0] && M0.Count[3];
wire s5 = ~ M0.Count[0] && M0.Count[1];
wire s6 = ~ M0.Count[1] && M0.Count[2];
wire s7 = ~ M0.Count[2] && M0.Count[3];
```

```
Prob_6_41_Switched_Tail_Johnson_Counter M0 (Count, CLK, reset_b);
initial #150 $finish;
initial fork #1 reset_b = 0; #7 reset_b = 1; join
initial begin CLK = 1; forever #5 CLK = ~CLK; end
endmodule
```



**6.42** Because *A* is a register variable, it retains whatever value has been assigned to it until a new value is assigned. Therefore, the statement  $A \leq A$  has the same effect as if the statement was omitted.

**6.43**



```
module Prob_6_43_Str (output SO, input [7: 0] data, input load, Shift_control, Clock, reset_b);
 supply0 gnd;
 wire SO_A;
```

```
 Shift_with_Load M_A (SO_A, SO_A, data, load, Shift_control, Clock, reset_b);
 Shift_with_Load M_B (SO, SO_A, data, gnd, Shift_control, Clock, reset_b);
```

```
endmodule
```

```
module Shift_with_Load (output SO, input D_in, input [7: 0] data, input load, select, Clock, reset_b);
 wire [7: 0] Q;
 assign SO = Q[0];
 SR_cell M7 (Q[7], D_in, data[7], load, select, Clock, reset_b);
 SR_cell M6 (Q[6], Q[7], data[6], load, select, Clock, reset_b);
 SR_cell M5 (Q[5], Q[6], data[5], load, select, Clock, reset_b);
 SR_cell M4 (Q[4], Q[5], data[4], load, select, Clock, reset_b);
 SR_cell M3 (Q[3], Q[4], data[3], load, select, Clock, reset_b);
 SR_cell M2 (Q[2], Q[3], data[2], load, select, Clock, reset_b);
 SR_cell M1 (Q[1], Q[2], data[1], load, select, Clock, reset_b);
 SR_cell M0 (Q[0], Q[1], data[0], load, select, Clock, reset_b);
endmodule
```



```

module SR_cell (output Q, input D, data, load, select, Clock, reset_b);
 wire y;
 DFF_with_load M0 (Q, y, data, load, Clock, reset_b);
 Mux_2 M1 (y, Q, D, select);
endmodule

module DFF_with_load (output reg Q, input D, data, load, Clock, reset_b);
 always @ (posedge Clock, negedge reset_b)
 if (reset_b == 0) Q <= 0; else if (load) Q <= data; else Q <= D;
endmodule

module Mux_2 (output reg y, input a, b, sel);
 always @ (a, b, sel) if (sel == 1) y = b; else y = a;
endmodule

module t_Fig_6_4_Str ();
 wire SO;
 reg load, Shift_control, Clock, reset_b;
 reg [7: 0] data, Serial_Data;

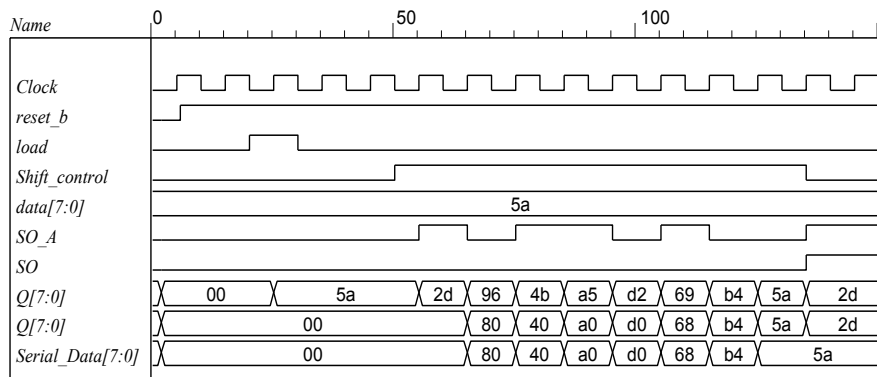
 Prob_6_43_Str M0 (SO, data, load, Shift_control, Clock, reset_b);

 always @ (posedge Clock, negedge reset_b)
 if (reset_b == 0) Serial_Data <= 0;
 else if (Shift_control) Serial_Data <= {M0.SO_A, Serial_Data [7: 1]};

 initial #200 $finish;
 initial begin Clock = 0; forever #5 Clock = ~Clock; end
 initial begin #2 reset_b = 0; #4 reset_b = 1; end

 initial fork
 data = 8'h5A;
 #20 load = 1;
 #30 load = 0;
 #50 Shift_control = 1;
 #50 begin repeat (9) @ (posedge Clock) ;
 Shift_control = 0;
 end
 join
endmodule

```



Alternative: a behavioral model for synthesis is given below. The behavioral description implies the need for a mux at the input to a D-type flip-flop.

```

module Fig_6_4_Beh (output SO, input [7: 0] data, input load, Shift_control, Clock, reset_b);
reg [7: 0] Shift_Reg_A, Shift_Reg_B;
assign SO = Shift_Reg_B[0];
always @ (posedge Clock, negedge reset_b)
 if (reset_b == 0) begin
 Shift_Reg_A <= 0;
 Shift_Reg_B <= 0;
 end
 else if (load) Shift_Reg_A <= data;
 else if (Shift_control) begin
 Shift_Reg_A <= { Shift_Reg_A[0], Shift_Reg_A[7: 1]};
 Shift_Reg_B <= {Shift_Reg_A[0], Shift_Reg_B[7: 1]};
 end
endmodule

module t_Fig_6_4_Beh ();
wire SO;
reg load, Shift_control, Clock, reset_b;
reg [7: 0] data, Serial_Data;

```

Fig\_6\_4\_Beh M0 (SO, data, load, Shift\_control, Clock, reset\_b);

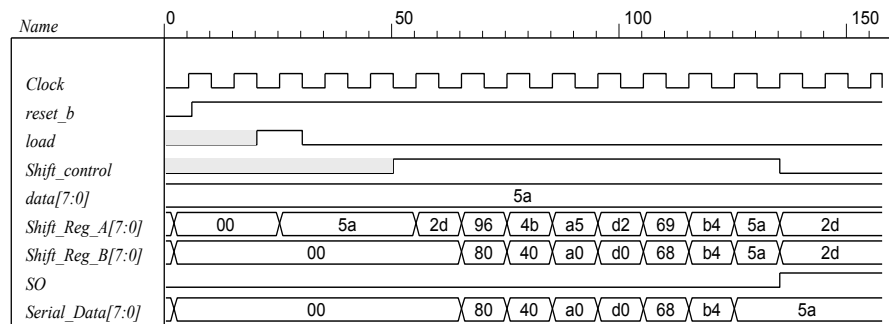
```

always @ (posedge Clock, negedge reset_b)
 if (reset_b == 0) Serial_Data <= 0;
 else if (Shift_control) Serial_Data <= {M0.Shift_Reg_A[0], Serial_Data [7: 1]};

initial #200 $finish;
initial begin Clock = 0; forever #5 Clock = ~Clock; end
initial begin #2 reset_b = 0; #4 reset_b = 1; end

initial fork
 data = 8'h5A;
 #20 load = 1;
 #30 load = 0;
 #50 Shift_control = 1;
 #50 begin repeat (9) @ (posedge Clock) ;
 Shift_control = 0;
 end
join
endmodule

```



#### 6.44

// See Figure 6.5  
 // Note: Sum is stored in shift register A; carry is stored in Q

```

// Note: Clear is active-low.

module Prob_6_44_Str (output SO, input [7: 0] data_A, data_B, input S_in, load, Shift_control, CLK,
Clear);
supply0 gnd;
wire sum, carry;
assign SO = sum;
wire SO_A, SO_B;

Shift_Reg_gated_clock M_A (SO_A, sum, data_A, load, Shift_control, CLK, Clear);
Shift_Reg_gated_clock M_B (SO_B, S_in, data_B, load, Shift_control, CLK, Clear);
FA M_FA (carry, sum, SO_A, SO_B, Q);
DFF_gated M_FF (Q, carry, Shift_control, CLK, Clear);

endmodule

module Shift_Reg_gated_clock (output SO, input S_in, input [7: 0] data, input load, Shift_control,
Clock, reset_b);
reg [7: 0] SReg;
assign SO = SReg[0];

always @ (posedge Clock, negedge reset_b)
if (reset_b == 0) SReg <= 0;
else if (load) SReg <= data;
else if (Shift_control) SReg <= {S_in, SReg[7: 1]};
endmodule

module DFF_gated (output Q, input D, Shift_control, Clock, reset_b);
DFF M_DFF (Q, D_internal, Clock, reset_b);
Mux_2 M_Mux (D_internal, Q, D, Shift_control);
endmodule

module DFF (output reg Q, input D, Clock, reset_b);
always @ (posedge Clock, negedge reset_b)
if (reset_b == 0) Q <= 0; else Q <= D;
endmodule

module Mux_2 (output reg y, input a, b, sel);
always @ (a, b, sel) if (sel == 1) y = b; else y = a;
endmodule

module FA (output reg carry, sum, input a, b, C_in);
always @ (a, b, C_in) {carry, sum} = a + b + C_in;
endmodule

module t_Prob_6_44_Str ();
wire SO;
reg SI, load, Shift_control, Clock, Clear;
reg [7: 0] data_A, data_B;

Prob_6_44_Str M0 (SO, data_A, data_B, SI, load, Shift_control, Clock, Clear);

initial #200 $finish;
initial begin Clock = 0; forever #5 Clock = ~Clock; end
initial begin #2 Clear = 0; #4 Clear = 1; end

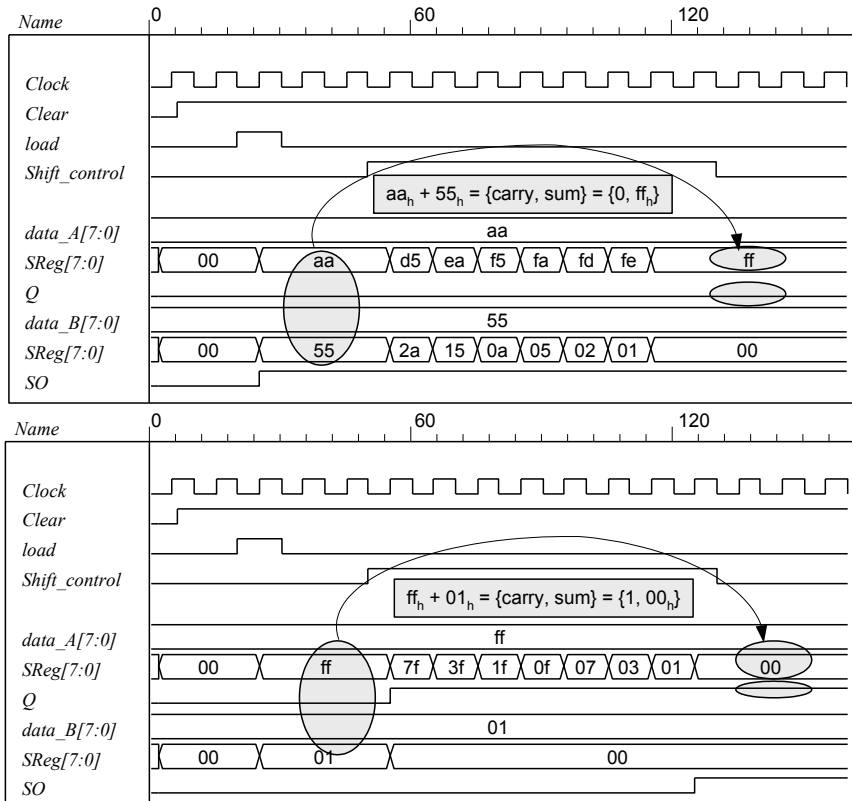
initial fork
data_A = 8'hAA; //8'h ff;
data_B = 8'h55; //8'h01;
SI = 0;
#20 load = 1;
#30 load = 0;

```

```

#50 Shift_control = 1;
#50 begin repeat (8) @(posedge Clock);
#5 Shift_control = 0;
end
join
endmodule

```



6.45

```

module Prob_6_45 (output reg y_out, input start, clock, reset_bar);
parameter s0 = 4'b0000,
s1 = 4'b0001,
s2 = 4'b0010,
s3 = 4'b0011,
s4 = 4'b0100,
s5 = 4'b0101,
s6 = 4'b0110,
s7 = 4'b0111,
s8 = 4'b1000;
reg [3: 0] state, next_state;

always @ (posedge clock, negedge reset_bar)

```

```

if (!reset_bar) state <= s0; else state <= next_state;

always @ (state, start) begin
y_out = 1'b0;
case (state)
s0: if (start) next_state = s1; else next_state = s0;
s1: begin next_state = s2; y_out = 1; end
s2: begin next_state = s3; y_out = 1; end
s3: begin next_state = s4; y_out = 1; end
s4: begin next_state = s5; y_out = 1; end
s5: begin next_state = s6; y_out = 1; end
s6: begin next_state = s7; y_out = 1; end
s7: begin next_state = s8; y_out = 1; end
s8: begin next_state = s0; y_out = 1; end
default: next_state = s0;
endcase
end
endmodule

// Test plan

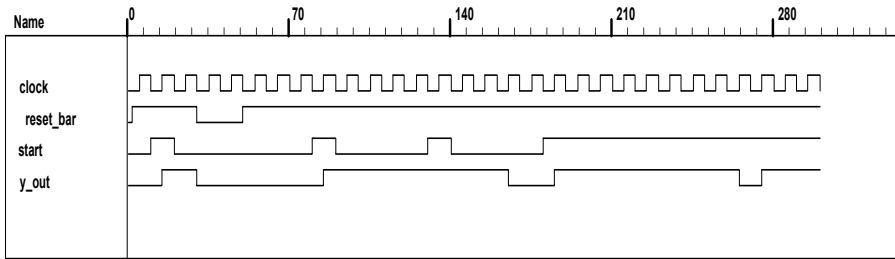
// Verify the following:
// Power-up reset
// Response to start in initial state
// Reset on-the-fly
// Response to re-assertion of start after reset on-the-fly
// 8-cycle counting sequence
// Ignore start during counting sequence
// Return to initial state after 8 cycles and await start
// Remain in initial state for one clock if start is asserted when the state is entered

module t_Prob_6_45;
wire y_out;
reg start, clock, reset_bar;

Prob_6_45 M0 (y_out, start, clock, reset_bar);

initial #300 $finish;
initial begin clock = 0; forever #5 clock = ~clock; end
initial fork
reset_bar = 0;
#2 reset_bar = 1;
#10 start = 1;
#20 start = 0;
#30 reset_bar = 0;
#50 reset_bar = 1;
#80 start = 1;
#90 start = 0;
#130 start = 1;
#140 start = 0;
#180 start = 1;
join
endmodule

```



6.46

```
module Prob_6_46 (output reg [0: 3] timer, input clk, reset_b);
```

```
always @ (negedge clk, negedge reset_b)
```

```
if (reset_b == 0) timer <= 4'b1000; else
```

```
case (timer)
```

```
4'b1000: timer <= 4'b0100;
```

```
4'b0100: timer <= 4'b0010;
```

```
4'b0010: timer <= 4'b0001;
```

```
4'b0001: timer <= 4'b1000;
```

```
default: timer <= 4'b1000;
```

```
endcase
```

```
endmodule
```

```
module t_Prob_6_46 ();
```

```
wire [0: 3] timer;
```

```
reg clk, reset_b;
```

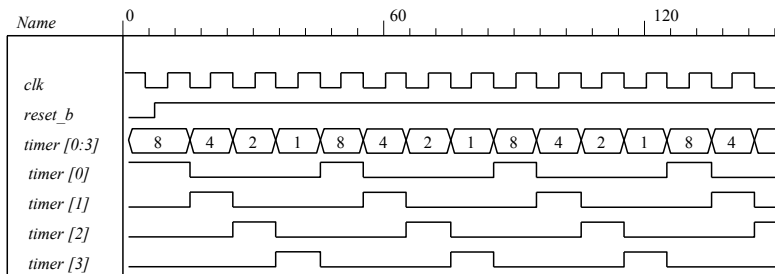
```
Prob_6_46 M0 (timer, clk, reset_b);
```

```
initial #150 $finish;
```

```
initial fork #1 reset_b = 0; #7 reset_b = 1; join
```

```
initial begin clk = 1; forever #5 clk = ~clk; end
```

```
endmodule
```



6.47

```
module Prob_6_47 (
```

```
output reg P_odd,
```

```
input D_in, CLK, reset
```

```
);
```

```
wire D;
```

```
assign D = D_in ^ P_odd;
```

```
always @ (posedge CLK, posedge reset)
```

```

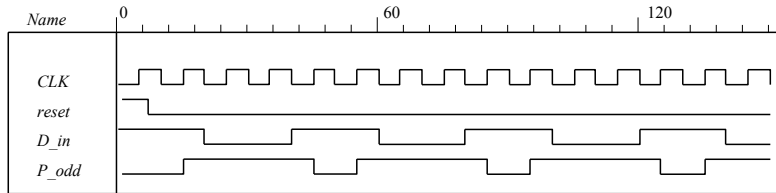
 if (reset) P_odd <= 0;
 else P_odd <= D;
endmodule

module t_Prob_6_47 ();
wire P_odd;
reg D_in, CLK, reset;

Prob_6_47 M0 (P_odd, D_in, CLK, reset);

initial #150 $finish;
initial fork #1 reset = 1; #7 reset = 0; join
initial begin CLK = 0; forever #5 CLK = ~CLK; end
initial begin D_in = 1; forever #20 D_in = ~D_in; end
endmodule

```



## 6.48 (a)

```

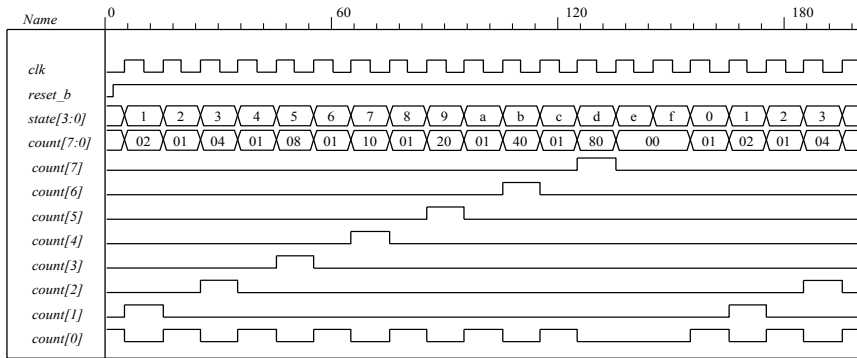
module Prob_6_48a (output reg [7: 0] count, input clk, reset_b);
reg [3: 0] state;
always @(posedge clk, negedge reset_b)
if (reset_b == 0) state <= 0; else state <= state + 1;
always @(state)
case (state)
0, 2, 4, 6, 8, 10, 12: count = 8'b0000_0001;
1: count = 8'b0000_0010;
3: count = 8'b0000_0100;
5: count = 8'b0000_1000;
7: count = 8'b0001_0000;
9: count = 8'b0010_0000;
11: count = 8'b0100_0000;
13: count = 8'b1000_0000;
default: count = 8'b0000_0000;
endcase
endmodule

module t_Prob_6_48a ();
wire [7: 0] count;
reg clk, reset_b;

Prob_6_48a M0 (count, clk, reset_b);

initial #200 $finish;
initial begin clk = 0; forever #5 clk = ~clk; end
initial begin reset_b = 0; #2 reset_b = 1; end
endmodule

```



(b)

```

module Prob_6_48b (output reg [7: 0] count, input clk, reset_b);
reg [3: 0] state;
always @ (posedge clk, negedge reset_b)
 if (reset_b == 0) state <= 0; else state <= state + 1;
always @ (state)
 case (state)
 0, 2, 4, 6, 8, 10, 12: count = 8'b1000_0000;
 1: count = 8'b0100_0000;
 3: count = 8'b0010_0000;
 5: count = 8'b0001_0000;
 7: count = 8'b0000_1000;
 9: count = 8'b0000_0100;
 11: count = 8'b0000_0010;
 13: count = 8'b0000_0001;
 default: count = 8'b0000_0000;
 endcase
endmodule

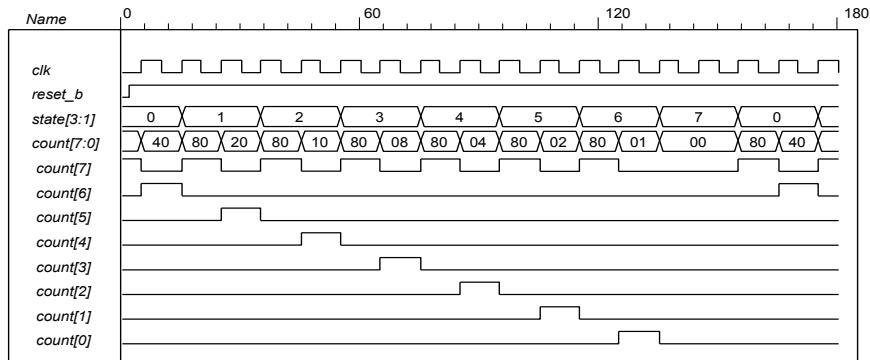
module t_Prob_6_48b ();
wire [7: 0] count;
reg clk, reset_b;

 Prob_6_48b M0 (count, clk, reset_b);

 initial #180 $finish;
 initial begin clk = 0; forever #5 clk = ~clk; end
 initial begin reset_b = 0; #2 reset_b = 1; end
endmodule

```





## 6.49

```
// Behavioral description of a 4-bit universal shift register
// Fig. 6.7 and Table 6.3
module Shift_Register_4_beh (// V2001, 2005
 output reg [3: 0] A_par, // Register output
 input [3: 0] I_par, // Parallel input
 input s1, s0, // Select inputs
 MSB_in, LSB_in, // Serial inputs
 CLK, Clear // Clock and Clear
);
always @ (posedge CLK, negedge Clear) // V2001, 2005
if (~Clear) A_par <= 4'b0000;
else
case ({s1, s0})
2'b00: A_par <= A_par; // No change
2'b01: A_par <= {MSB_in, A_par[3: 1]}; // Shift right
2'b10: A_par <= {A_par[2: 0], LSB_in}; // Shift left
2'b11: A_par <= I_par; // Parallel load of input
endcase
endmodule
```

```

// Test plan:
// test reset action load
// test parallel load
// test shift right
// test shift left
// test circulation of data
// test reset on the fly

module t_Shift_Register_4_beh ();
 reg s1, s0, // Select inputs
 MSB_in, LSB_in, // Serial inputs
 clk, reset_b; // Clock and Clear
 reg [3: 0] L_par; // Parallel input
 wire [3: 0] A_par; // Register output

 Shift_Register_4_beh M0 (A_par, L_par, s1, s0, MSB_in, LSB_in, clk, reset_b);

 initial #200 $finish;
 initial begin clk = 0; forever #5 clk = ~clk; end

 initial fork
 // test reset action load
 #3 reset_b = 1;
 #4 reset_b = 0;
 #9 reset_b = 1;

 // test parallel load
 #10 L_par = 4'hA;
 #10 {s1, s0} = 2'b11;

 // test shift right
 #30 MSB_in = 1'b0;
 #30 {s1, s0} = 2'b01;

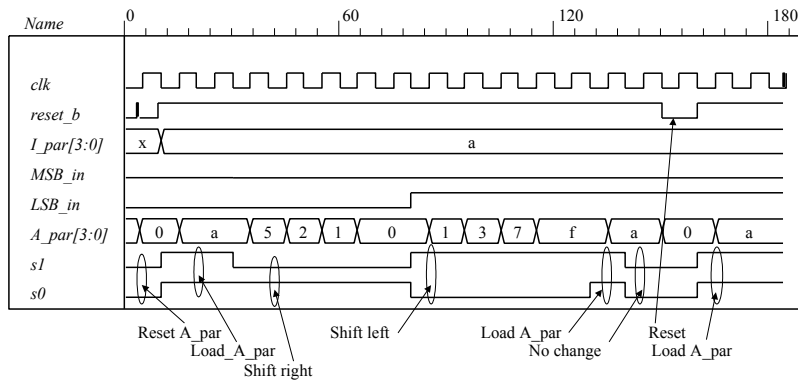
 // test shift left
 #80 LSB_in = 1'b1;
 #80 {s1, s0} = 2'b10;

 // test circulation of data
 #130 {s1, s0} = 2'b11;
 #140 {s1, s0} = 2'b00;

 // test reset on the fly
 #150 reset_b = 1'b0;
 #160 reset_b = 1'b1;
 #160 {s1, s0} = 2'b11;

 join
endmodule

```



6.50 (a) See problem 6.27.

```

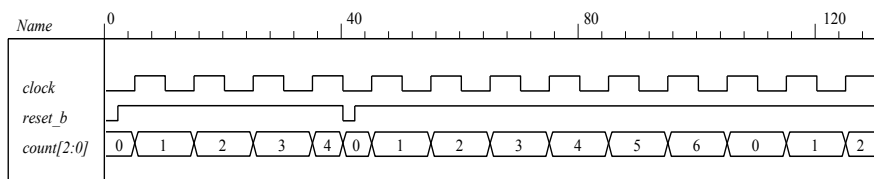
module Prob_8_50a (output reg [2: 0] count, input clk, reset_b);
always @ (posedge clk, negedge reset_b)
 if (!reset_b) count <= 0;
 else case (count)
 3'd0: count <= 3'd1;
 3'd1: count <= 3'd2;
 3'd2: count <= 3'd3;
 3'd3: count <= 3'd4;
 3'd4: count <= 3'd5;
 3'd5: count <= 3'd6;
 3'd6: count <= 3'd0;
 default: count <= 3'd0;
 endcase
endmodule

module t_Prob_8_50a;
 wire [2: 0] count;
 reg clock, reset_b ;

 Prob_8_50a M0 (count, clock, reset_b);

 initial #130 $finish;
 initial begin clock = 0; forever #5 clock = ~clock; end
 initial fork
 reset_b = 0;
 #2 reset_b = 1;
 #40 reset_b = 0;
 #42 reset_b = 1;
 join
endmodule

```



(b) See problem 6.28.

```

module Prob_8_50b (output reg [2: 0] count, input clk, reset_b);
always @ (posedge clk, negedge reset_b)
 if (!reset_b) count <= 0;
 else case (count)
 3'd0: count <= 3'd1;
 3'd1: count <= 3'd2;
 3'd2: count <= 3'd4;
 3'd4: count <= 3'd6;
 3'd6: count <= 3'd0;
 default: count <= 3'd0;
 endcase
endmodule

```

```

module t_Prob_8_50b;
wire [2: 0] count;
reg clock, reset_b ;

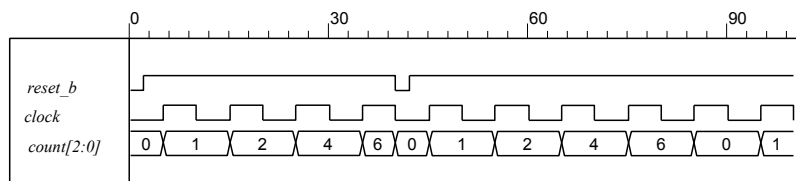
```

Prob\_8\_50b M0 (count, clock, reset\_b);

```

initial #100 $finish;
initial begin clock = 0; forever #5 clock = ~clock; end
initial fork
 reset_b = 0;
 #2 reset_b = 1;
 #40 reset_b = 0;
 #42 reset_b = 1;
join
endmodule

```



6.51

```

module Seq_Detector_Prob_5_51 (output detect, input bit_in, clk, reset_b);
reg [2: 0] sample_reg;
assign detect = (sample_reg == 3'b111);
always @ (posedge clk, negedge reset_b) if (reset_b == 0) sample_reg <= 0;
 else sample_reg <= {bit_in, sample_reg [2: 1]};
endmodule

```

```

module Seq_Detector_Prob_5_45 (output detect, input bit_in, clk, reset_b);
parameter S0 = 0, S1 = 1, S2 = 2, S3 = 3;
reg [1: 0] state, next_state;

```

```

assign detect = (state == S3);
always @ (posedge clk, negedge reset_b)
if (reset_b == 0) state <= S0; else state <= next_state;

```

```

always @ (state, bit_in) begin
 next_state = S0;
 case (state)
 0: if (bit_in) next_state = S1; else state = S0;
 1: if (bit_in) next_state = S2; else next_state = S0;
 endcase
end

```

```

2: if (bit_in) next_state = S3; else state = S0;
3: if (bit_in) next_state = S3; else next_state = S0;
 default: next_state = S0;
endcase
end
endmodule

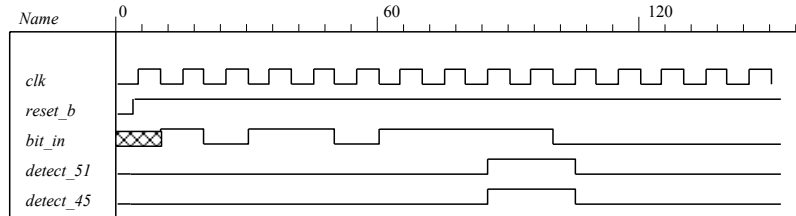
module t_Seq_Detector_Prob_6_51 ();
wire detect_45, detect_51;
reg bit_in, clk, reset_b;

Seq_Detector_Prob_5_51 M0 (detect_51, bit_in, clk, reset_b);
Seq_Detector_Prob_5_45 M1 (detect_45, bit_in, clk, reset_b);

initial #350$finish;
initial begin clk = 0; forever #5 clk = ~clk; end
initial fork

 reset_b = 0;
#4 reset_b = 1;
#10 bit_in = 1;
#20 bit_in = 0;
#30 bit_in = 1;
#50 bit_in = 0;
#60 bit_in = 1;
#100 bit_in = 0;
join
endmodule

```



The circuit using a shift register uses less hardware.

## 6.52 Universal Shift Register

```

module Prob_6_52 (
 output [3:0] A_par,
 input [3:0] In_par,
 input MSB_in, LSB_in,
 input [1:0] s1, s0,
 input CLK, Clear_b
);
 wire y0, y1, y2, y3;
 Mux_4x1 M0 (y0, In_par[0], LSB_in, A_par[1], A_par[0], s1, s0);
 Mux_4x1 M1 (y1, In_par[1], A_par[0], A_par[2], A_par[1], s1, s0);
 Mux_4x1 M2 (y2, In_par[2], A_par[1], A_par[3], A_par[2], s1, s0);
 Mux_4x1 M3 (y3, In_par[3], A_par[2], MSB_in, A_par[3], s1, s0);
 DFF D0 (A_par[0], y0, CLK, Clear_b);
 DFF D1 (A_par[1], y1, CLK, Clear_b);
 DFF D2 (A_par[2], y2, CLK, Clear_b);
 DFF D3 (A_par[3], y3, CLK, Clear_b);
endmodule

```

```

module Mux_4x1 (output reg y, input in3, in2, in1, in0, s1, s0);
always @ (in3, in2, in1, in0, s1, s0)
 case ({s1, s0})
 2'b00: y = in0;
 2'b01: y = in1;
 2'b10: y = in2;
 2'b11: y = in3;
 endcase
endmodule

```

```

module DFF (output reg q, input d, clk, clr_b);
always @ (posedge clk, negedge clr_b)
 if (clr_b == 1'b0) q <= 0; else q <= d;
endmodule

```

Features to be tested:

```

 Action of Clear_b
 Power-up initialization
 On-the-fly
 Action of mode controls
 s1 s0
 0 0 No change
 0 1 Shift right
 1 0 Shift left
 1 1 Parallel load

```

```

module t_Problem_6_52 ();

```

```

wire [3:0] A_par;
reg [3:0] In_par;
reg MSB_in, LSB_in;
reg s1, s0;
reg CLK, Clear_b;
reg [3:0] In_par;

```

```

Prob_6_52 M0 (A_par, In_par, MSB_in, LSB_in, s1, s0, CLK, Clear_b);

```

```

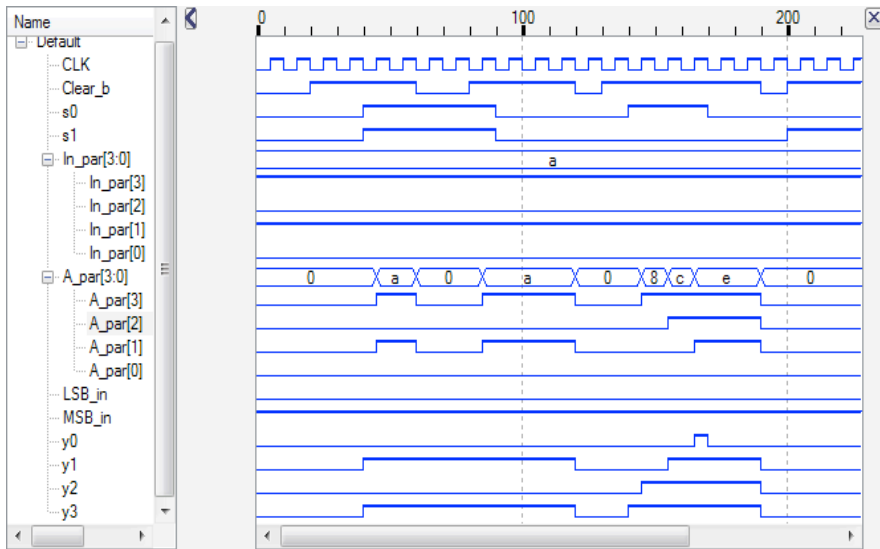
initial #300 $finish;
initial begin CLK = 0, forever #5 CLK = ~CLK; end
initial fork
 Clear_b = 0; // Power-up initialization
 #20 Clear_b = 1; // Running

 In_par = 4'b1010; // Word for parallel load
 MSB_in = 1'b1; // Bit for serial load
 LSB_in = 1'b0; // Bit for serial load
 s1 = 0; s0 = 0; // Initial action to no change
 #40 begin s1 = 1; s0 = 1; end // parallel load
 #60 Clear_b = 1'b0; // Reset on-the-fly
 #80 Clear_b = 1'b1; // Resume action with parallel load at next clock edge
 #90 begin s1 = 0; s0 = 0; end // No action – register holds 4'b1010

 #120 Clear_b = 1'b0; // Clear register
 #130 Clear_b = 1'b1;
 #140 begin s1 = 1'b0; s0 = 1'b1; end // Shifting to right (from MSB)
 #170 begin s1 = 1'b0; s0 = 1'b0; end // Register should hold 4'b1111

 #190 begin Clear_b = 1'b0; s1 = 1'b0; s0 = 1'b0; end
 #200 begin Clear_b = 1'b1; s1 = 1'b1; s0 = 1'b0; end // Resume action – shift left
 #230 begin s1 = 1'b0; s0 = 1'b0; end
join
endmodule

```



## 6.53

```

module Prob_6_53 (output reg [3:0] SR_A, input Shift_control, SI, CLK, Clear_b);
 reg [3: 0] SR_B;
 wire Sum, Carry;
 wire SO_A = SR_A[3];
 wire SO_B = SR_B[3];
 wire SI_A = Sum;
 wire SI_B = SI;
 wire Q;

 always @ (posedge CLK)
 if (Clear_b == 1'b0) SR_A<= 4'b0; else if (Shift_control) SR_A <= {Sum, SR_A[3:1]};

 always @ (posedge CLK)
 if (Clear_b == 1'b0) SR_B <= 4'b0; else if (Shift_control) SR_B <= {SI, SR_B[3:1]};

 FA M0 (Sum, Carry, SO_A, SO_B, Q);
 and (clk_to_DFF, CLK, Shift_control); // Caution: gated clock
 DFF M1 (Q, Carry, clk_to_DFF, Clear_b);
endmodule

module FA (output S, C, input x, y, z);
 assign {C, S} = x + y + z;
endmodule

module DFF (output reg Q, input D, C, Clear_b);
 always @ (posedge C) if (Clear_b == 1'b0) Q <= 1'b0; else Q <= D;
endmodule

module t_Prob_6_53 ();
 wire [3:0] SR_A;
 reg Shift_control, SI, CLK, Clear_b;

```

```

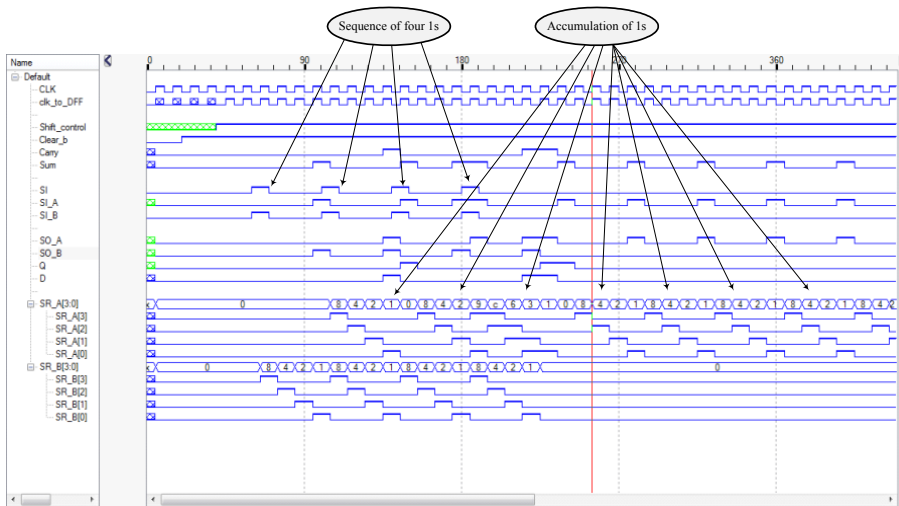
Prob_6_53 M0 (SR_A, Shift_control, SI, CLK, Clear_b);
initial #300 $finish;
initial begin CLK = 0; forever #5 CLK = ~CLK; end
initial fork
 Clear_b = 0;
 #20 Clear_b = 1;

 #40 Shift_control = 1;
 SI = 0;
// Sequence of 1s
/*
 #60 SI = 1;
 #70 SI = 0;
 #100 SI = 1;
 #110 SI = 0;
 #140 SI = 1;
 #150 SI = 0;
 #180 SI = 1;
 #190 SI = 0;
*/

// Sequence of threes
#60 SI = 1;
#80 SI = 0;
#100 SI = 1;
#120 SI = 0;
#140 SI = 1;
#160 SI = 0;
#180 SI = 1;
#200 SI = 0;
join
endmodule

```

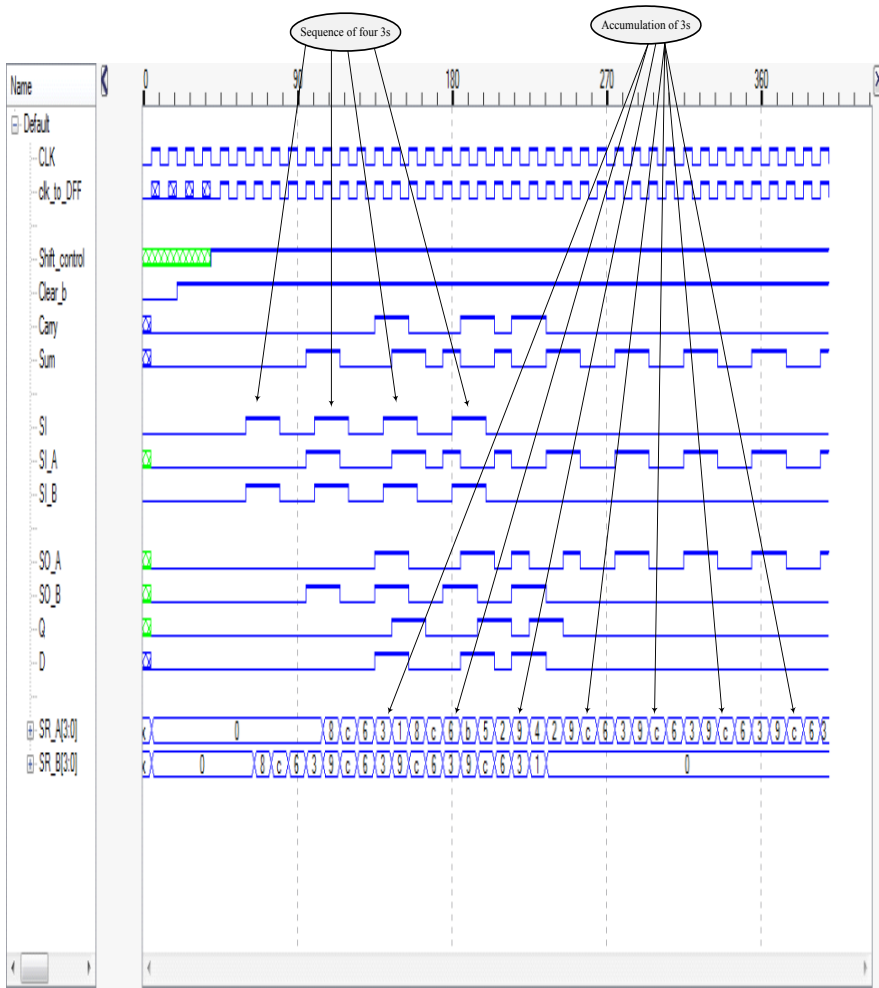
Simulation results for accumulating a sequence of four 1s.



Simulation results for accumulating a sequence of four 3s.

*Digital Design With An Introduction to the Verilog HDL – Solution Manual.* M. Mano. M.D. Ciletti, Copyright 2012, All rights reserved.





Additional test patterns are left to the student.

## 6.54

```

module Prob_6_54 (output reg [3:0] SR_A, input Shift_control, SI, CLK, Clear_b);
reg [3:0] SR_B;
wire S;
wire Q;
wire SI_A = S;
wire SO_A = SR_A[0];
wire SO_B = SR_B[0];
wire SI_B = SI;
and (J_in, SO_A, SO_B);
nor (K_in, SO_A, SO_B);

xor (S, SO_A, SO_B, Q);
and (clk_to_JKFF, Shift_control, CLK);

always @ (posedge CLK)
 if (Clear_b == 1'b0) SR_A <= 4'b0; else if (Shift_control) SR_A <= {SI_A, SR_A[3:1]};

always @ (posedge CLK)
 if (Clear_b == 1'b0) SR_B <= 4'b0; else if (Shift_control) SR_B <= {SI_B, SR_B[3:1]};

and (clk_to_JKFF, CLK, Shift_control); // Caution: gated clock

JKFF M1 (Q, J_in, K_in, clk_to_JKFF, Clear_b);
endmodule

module FA (output S, C, input x, y, z);
 assign {C, S} = x + y + z;
endmodule

module JKFF (output reg Q, input J_in, K_in, C, Clear_b);
always @ (posedge C) if (Clear_b == 1'b0) Q <= 1'b0; else
 case ({J_in, K_in})
 2'b00: Q <= Q;
 2'b01: Q <= 1'b0;
 2'b10: Q <= 1'b1;
 2'b11: Q <= ~Q;
 endcase
endmodule

module t_Prob_6_54 ();
 wire [3:0] SR_A;
 reg Shift_control, SI, CLK, Clear_b;

 Prob_6_54 M0 (SR_A, Shift_control, SI, CLK, Clear_b);
 //initial #200 $finish; // sequence of 1s
 initial #400 $finish; // sequence of 3s
 initial begin CLK = 0; forever #5 CLK = ~CLK; end
 initial fork
 Clear_b = 0;
 #20 Clear_b = 1;

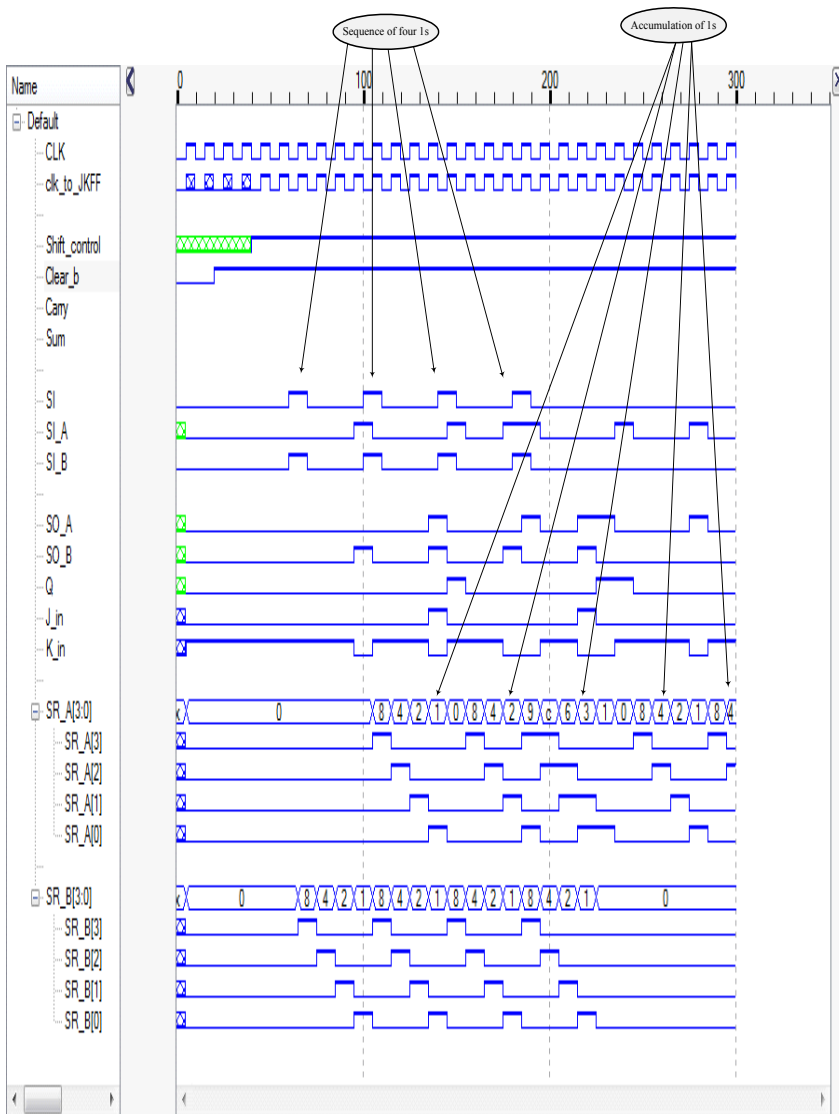
 #40 Shift_control = 1;
 SI = 0;
 // Sequence of 1s
 /*
 #60 SI = 1;
 #70 SI = 0;
 #100 SI = 1;
 #110 SI = 0;
 #140 SI = 1;
 #150 SI = 0;
 */

```

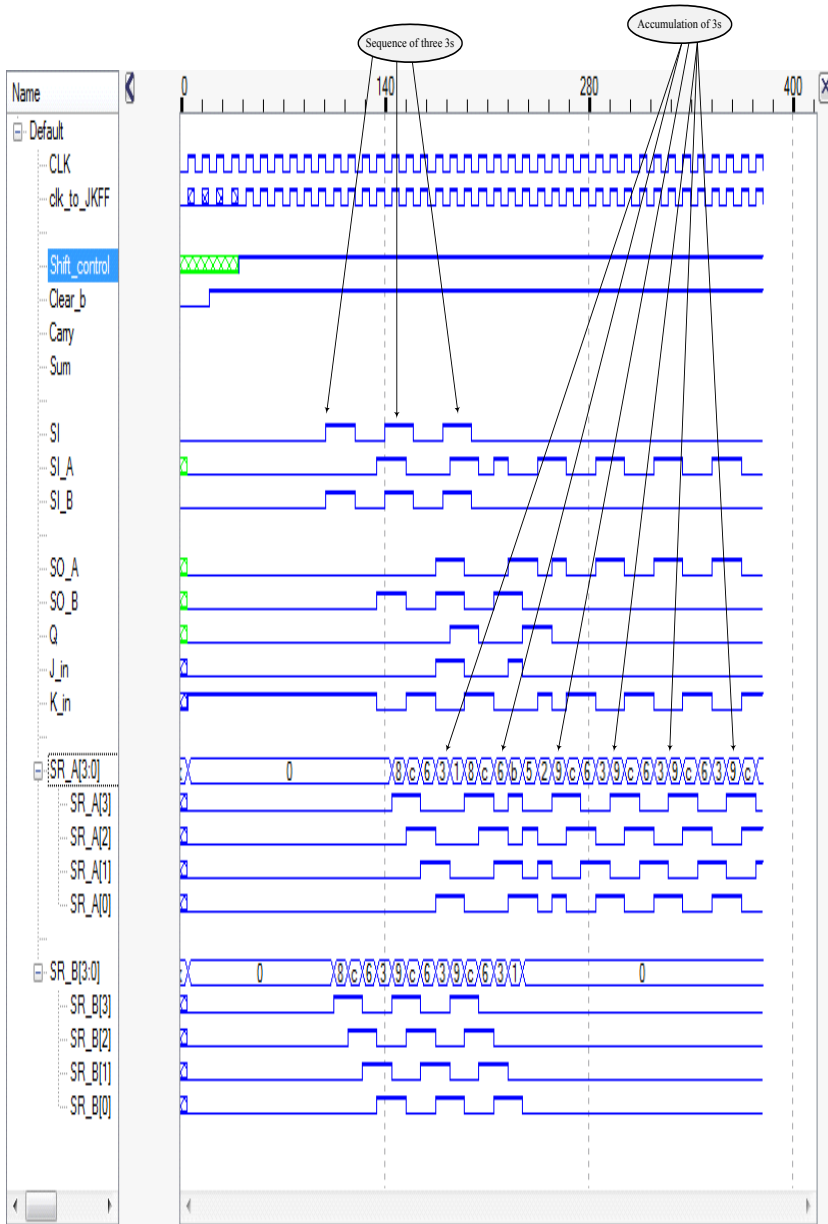
```
#180 SI = 1;
#190 SI = 0;
*/

// Sequence of threes
#60 SI = 1;
#80 SI = 0;
#100 SI = 1;
#120 SI = 0;
#140 SI = 1;
#160 SI = 0;
#180 SI = 1;
#200 SI = 0;
join
endmodule
```

Simulation results: Accumulation of a sequence of four 1s.



Accumulation of a sequence of 3s:



## 6.55

```

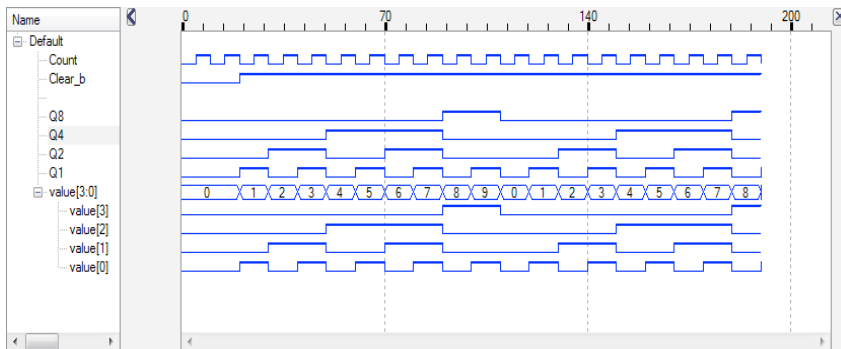
module Prob_6_55 (output Q8, Q4, Q2, Q1, input Count, Clear_b);
supply1 Pwr;
not (Q8_bar, Q8);
and (J_in_M8, Q2, Q4);
JKFF M1 (Q1, Pwr, Pwr, Count, Clear_b);
JKFF M2 (Q2, Q8_bar, Pwr, Q1, Clear_b);
JKFF M4 (Q4, Pwr, Pwr, Q2_Clear_b);
JKFF M8 (Q8, J_in_M8, Pwr, Q1_Clear_b);
endmodule

module JKFF (output reg Q, input J_in, K_in, C, Clear_b);
always @ (negege C) if (Clear_b== 1'b0) Q <= 1'b0; else
 case ({J_in, K_in})
 2'b00: Q <= Q;
 2'b01: Q <= 1'b0;
 2'b10: Q <= 1'b1;
 2'b11: Q <= ~Q;
 endcase
endmodule

module t_Prob_6_55 ();
wire Q8, Q4, Q2, Q1;
reg Count, Clear_b;
wire [3:0] value = {Q8, Q4, Q2, Q1}; // Display counter
Prob_6_55 M0 (Q8, Q4, Q2, Q1, Count, Clear_b);

initial #200 $finish;
initial begin Count = 0; forever #5 Count = ~Count; end
initial fork
 Clear_b = 0;
 #20 Clear_b = 1;
join
endmodule

```



## 6.56 Clear\_b

```

module Prob_6_56 (output A3, A2, A1, A0, Next_stage, input Count_enable, CLK, Clear_b);
assign Next_stage = A3 && A2 && A1 && A0;
and (JK_in_M1, Count_enable, A0);
and (JK_in_M2, JK_in_M1, A1);
and (JK_in_M3, JK_in_M2, A2);
and (Next_stage, JK_in_M3, A3);
JKFF M0 (A0, Count_enable, Count_enable, CLK, Clear_b);
JKFF M1 (A1, JK_in_M1, J_in_M1, CLK, Clear_b);
JKFF M2 (A2, JK_in_M2, JK_in_M2, CLK, Clear_b);
JKFF M3 (A3, JK_in_M3, JK_in_M3, A3, CLK, Clear_b);
endmodule

module JKFF (output reg Q, input J_in, K_in, C, Clear_b);
always @ (posedge C) if (Clear_b == 1'b0) Q <= 0; else
 case ({J_in, K_in})
 2'b00: Q <= Q;
 2'b01: Q <= 1'b0;
 2'b10: Q <= 1'b1;
 2'b11: Q <= ~Q;
 endcase
endmodule

module t_Prob_6_56 ();
wire A3, A2, A1, A0;
wire Next_stage;
reg Count_enable;
reg CLK, Clear_b

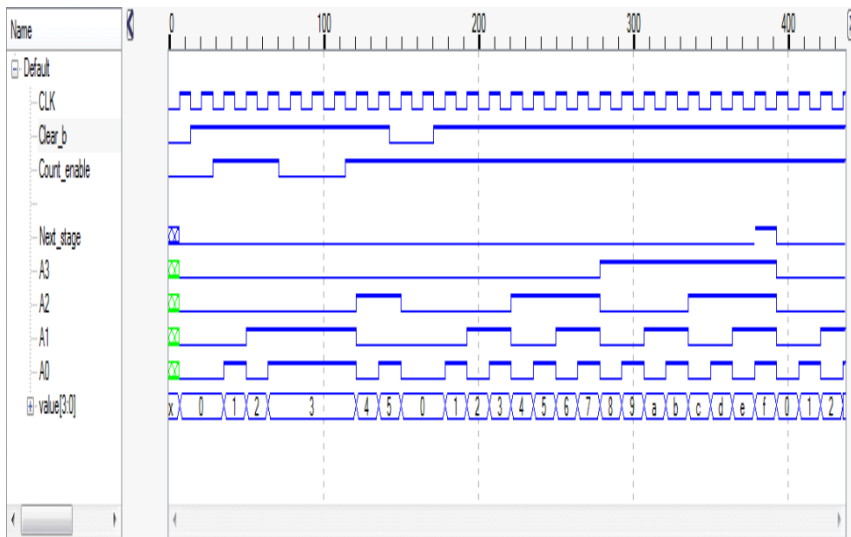
wire [3:0] value = {A3, A2, A1, A0};

Prob_6_56 M0 (A3, A2, A1, A0, Next_stage, Count_enable, CLK, Clear_b);

initial #400 $finish;
initial begin CLK = 0; forever #5 CLK = ~CLK; end
initial fork
 Clear_b = 0;
 #10 Clear_b = 1;
 #100 Clear_b = 0; // Reset on the fly
 #120 Clear_b = 1;

 Count_enable = 0;
 #20 Count_enable = 1;
 #50 Count_enable = 0;
 #80 Count_enable = 1;
join
endmodule

```





## 6.57

```

module Prob_6_57 (output A3, A2, A1, A0, input Up, Down, CLK, Clear_b);
 not (Up_bar, Up);
 not (A0_bar, A0);
 not (A1_bar, A1);
 not (A2_bar, A2);
 and (w1, Up_bar, Down);
 and (w2, w1, A0_bar);
 and (w3, Up, A0);
 and (w4, w2, A1_bar);
 and (w5, w3, A1);
 and (w6, w4, A2_bar);
 and (w7, w5, A2);
 or (T0, w1, Up);
 or (T1, w2, w3);
 or (T2, w4, w5);
 or (T3, w6, w7);
 TFF M0 (A0, A0_bar, T0, CLK, Clear_b);
 TFF M1 (A1, A1_bar, T1, CLK, Clear_b);
 TFF M2 (A2, A2_bar, T2, CLK, Clear_b);
 TFF M3 (A3, A3_bar, T3, CLK, Clear_b);
endmodule

module TFF (output reg Q, output Q_bar, input T, Clear_b, C, Clear_b); // Active low reset is needed
 assign Q_bar = ~Q;
 always @ (posedge C) if (Clear_b == 1'b0) Q <= 0; else if (T) Q <= ~Q;
endmodule

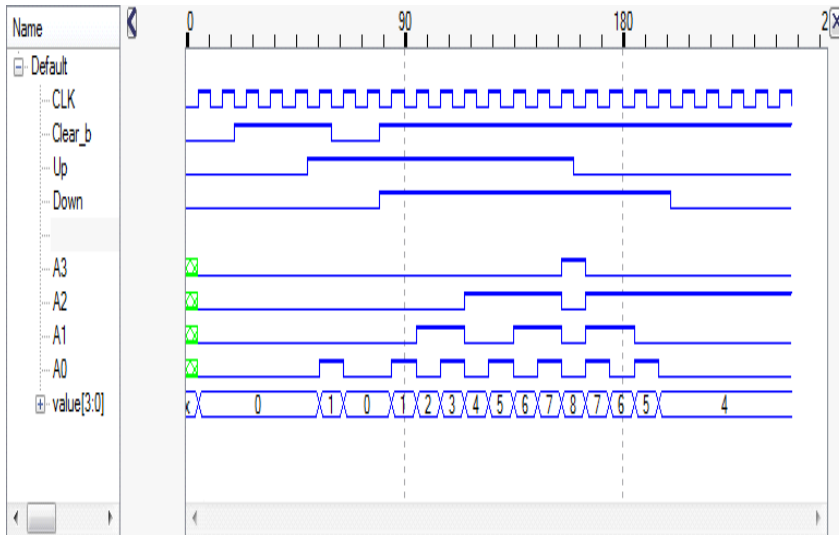
module t_Prob_6_57 ();
 wire A3, A2, A1, A0;
 reg Up, Down, CLK, Clear_b;
 wire [3:0] value = {A3, A2, A1, A0}; // Display count

 Prob_6_57 M0(A3, A2, A1, A0, Up, Down, CLK, Clear_b);

 initial #250 $finish;
 initial begin CLK = 0; forever #5 CLK = ~CLK; end
 initial fork
 Clear_b = 1'b0;
 #20 Clear_b = 1'b1;
 #60 Clear_b = 0; // Reset on the fly
 #80 Clear_b = 1;
 Up = 1'b0;
 Down = 1'b0;

 #50 Up = 1'b1;
 #80 Down = 1'b1; // Up has priority
 #160 Up = 1'b0;
 #200 Down = 1'b0;
 join
endmodule

```



## 6.58

```

module Problem_6_58 (output A3, A2, A1, A0, C_out, input I3, I2, I1, I0, Count, Load, CLK, Clear_b);
 not (Load_bar, Load);
 not (I0_bar, I0);
 not (I1_bar, I1);
 not (I2_bar, I2);
 not (I3_bar, I3);
 and (w0, Count, Load_bar);
 and (w1, Load, I0);
 and (w2, Load, I0_bar);
 and (w3, Load, I1);
 and (w4, Load, I1_bar);
 and (w5, Load, I2);
 and (w6, Load, I2_bar);
 and (w7, Load, I3);
 and (w8, Load, I3_bar);
 or (w9, w1, w0);
 or (w10, w2, w0);
 or (w11, w3, w17);
 or (w12, w4, w17);
 or (w13, w5, w18);
 or (w14, w6, w18);
 or (w15, w7, w19);
 or (w16, w8, w19);
 and (w17, w0, A0);
 and (w18, w0, A0, A1);
 and (w19, w0, A0, A1, A2);
 and (C_out, w0, A0, A1, A2, A3);

 JKFF M0 (A0, w9, w10, CLK, Clear_b);
 JKFF M1 (A1, w11, w12, CLK, Clear_b);
 JKFF M2 (A2, w13, w14, CLK, Clear_b);
 JKFF M3 (A3, w15, w16, CLK, Clear_b);
endmodule

module JKFF (output reg Q, input J_in, K_in, C, Clear_b);
 always @ (posedge C) if (Clear_b == 1'b0) Q <= 0; else
 case ({J_in, K_in})
 2'b00: Q <= Q;
 2'b01: Q <= 1'b0;
 2'b10: Q <= 1'b1;
 2'b11: Q <= ~Q;
 endcase
endmodule

module t_Problem_6_58 ();
 wire A3, A2, A1, A0, C_out;
 reg I3, I2, I1, I0, Count, Load, CLK, Clear_b;
 wire [3:0] value = {A3, A2, A1, A0};
 wire [3:0] Par_word = {I3, I2, I1, I0};

 Problem_6_58 M0 (A3, A2, A1, A0, C_out, I3, I2, I1, I0, Count, Load, CLK, Clear_b);

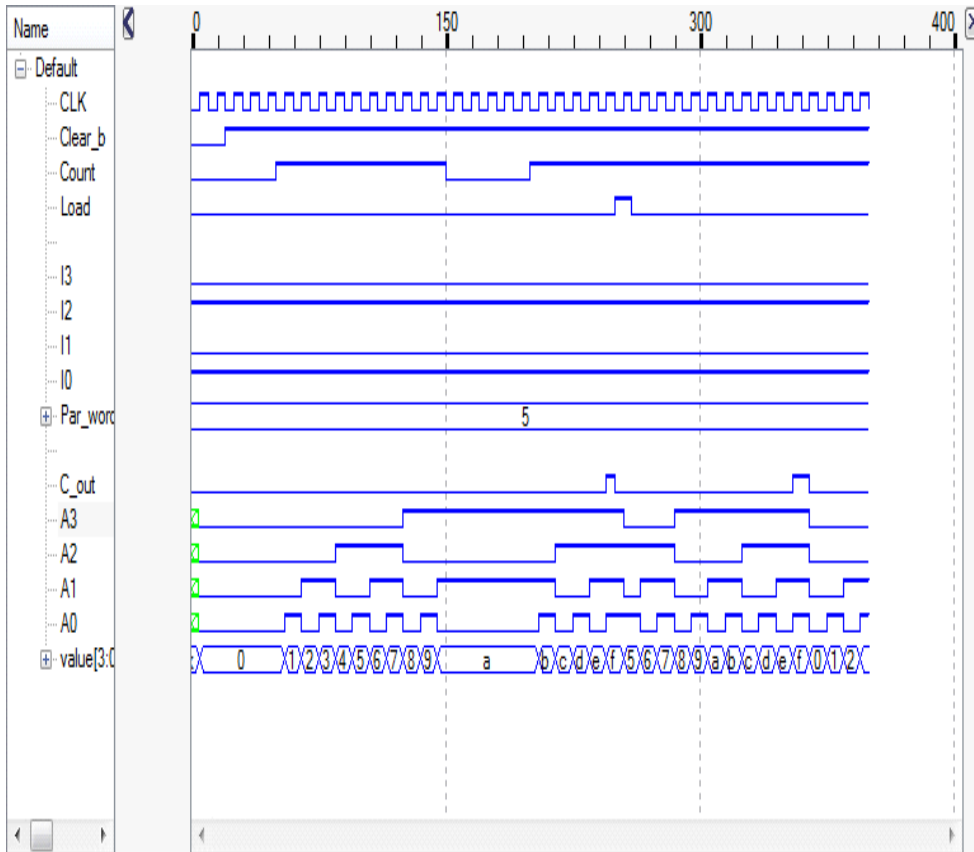
 initial #400 $finish;
 initial begin CLK = 0; forever #5 CLK = ~CLK; end
 initial fork
 {I3, I2, I1, I0} = 4'b0101; // Data for parallel load
 Clear_b = 0;
 #20 Clear_b = 1;
 end fork

```

```

Count = 0;
#50 Count = 1; // Counting
#150 Count = 0; // Pause
#200 Count = 1; // Resume counting
Load = 0;
#250 Load = 1; // Parallel load
#260 Load = 0;
join
endmodule

```



## 6.59

```

module Problem_6_59 (output reg A3, A2, A1, A0, output C_out, input I3, I2, I1, I0, Count, Load, CLK, Clear_b);
always @ (posedge CLK) if (Clear_b == 1'b0) {A3, A2, A1, A0} <= 4'b0; else
 if (Load) {A3, A2, A1, A0} <= {I3, I2, I1, I0};
 else if (Count) {A3, A2, A1, A0} <= {A3, A2, A1, A0} + 4'b0001;

 assign C_out = A3 && A2 && A1 && A0 && Count && (!Load);
endmodule

```

```

module t_Problem_6_59 ();
wire A3, A2, A1, A0, C_out;
reg I3, I2, I1, I0, Count, Load, CLK, Clear_b;
wire [3:0] value = {A3, A2, A1, A0};
wire [3:0] Par_word = {I3, I2, I1, I0};

```

```

Problem_6_59 M0 (A3, A2, A1, A0, C_out, I3, I2, I1, I0, Count, Load, CLK, Clear_b);

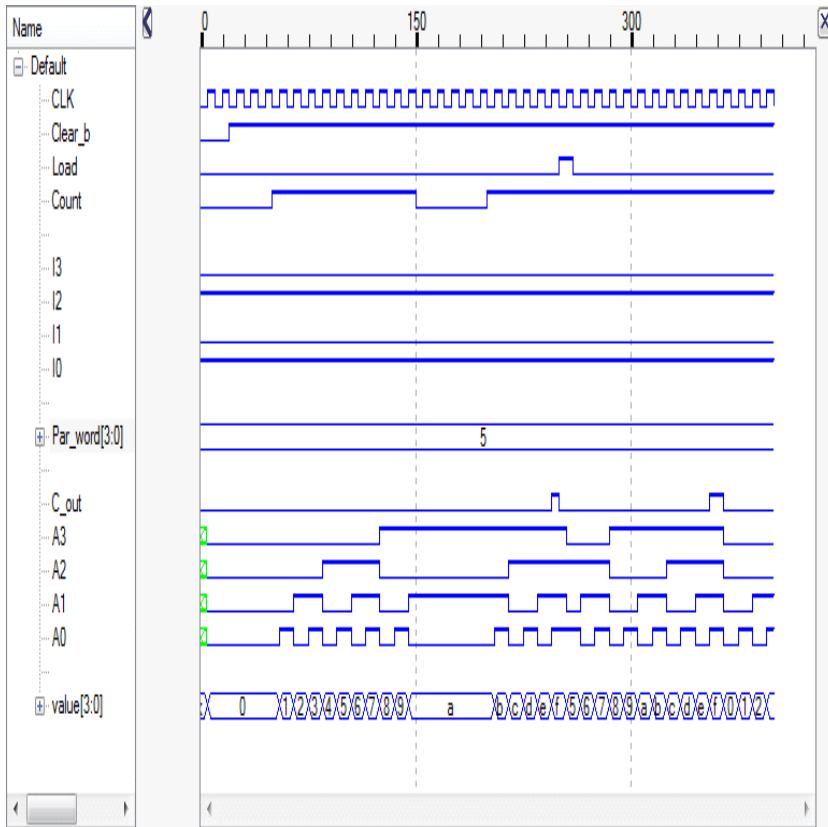
```

```

initial #400 $finish;
initial begin CLK = 0; forever #5 CLK = ~CLK; end
initial fork
 {I3, I2, I1, I0} = 4'b0101; // Data for parallel load
 Clear_b = 0;
 #20 Clear_b = 1;

 Count = 0;
 #50 Count = 1; // Counting
 #150 Count = 0; // Pause
 #200 Count = 1; // Resume counting
 Load = 0;
 #250 Load = 1; // Parallel load
 #260 Load = 0;
join
endmodule

```



## Chapter 7

- 7.1 (a)  $8\text{ K} \times 32 = 2^{13} \times 16$        $A = 13$      $D = 16$   
 (b)  $2\text{ G} \times 8 = 2^{31} \times 8$        $A = 31$      $D = 8$   
 (c)  $16\text{ M} \times 32 = 2^{24} \times 32$        $A = 24$      $D = 32$   
 (d)  $256\text{ K} \times 64 = 2^{18} \times 64$        $A = 18$      $D = 64$

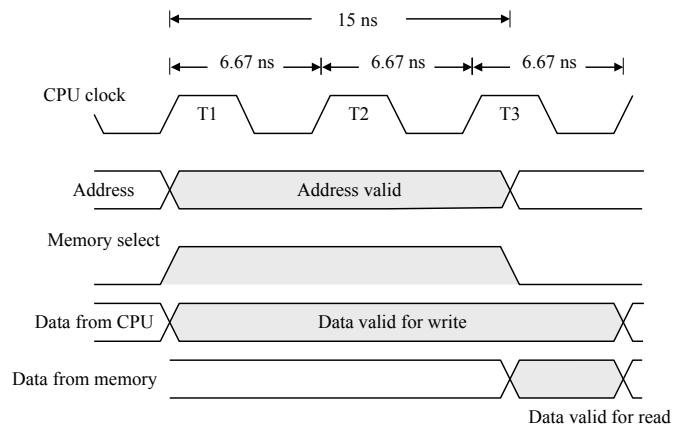
(e)

- 7.2 (a)
- $2^{13}$
- (b)
- $2^{31}$
- (c)
- $2^{26}$
- (d)
- $2^{21}$

- 7.3 Address:
- $563_{10} = 10\_0011\_0011_2$

Data word:  $1,212_{10} = 0000\_0100\_1011\_1100_2$ 

- 7.4
- $f_{\text{CPU}} = 150\text{ MHz}$
- ,
- $T_{\text{CPU}} = 1/f_{\text{CPU}} = 6.67^{\circ} \text{ Hz}^{-1}$



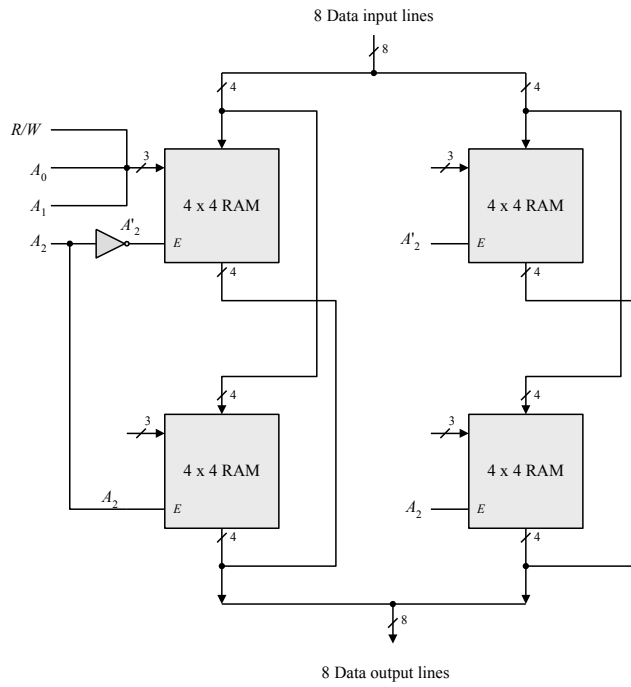
- 7.5

Pending

mdc 1/19/07 11:02 AM

Comment [1]: Spell check

7.6





- 7.7** (a)  $16\text{ K} = 2^{14} = 2^7 \times 2^7 = 128 \times 128$   
 Each decoder is  $7 \times 128$   
 Decoders require 256 AND gates, each with 7 inputs
- (b)  $6,000 = 0101110\_1110000$   
 $x = 46 \quad y = 112$
- 7.8** (a)  $256\text{ K} / 32\text{ K} = 8$  chips
- (b)  $256\text{ K} = 2^{18}$  (18 address lines for memory);  $32\text{ K} = 2^{15}$  (15 address pins / chip)
- (c)  $18 - 15 = 3$  lines ; must decode with  $3 \times 8$  decoder
- 7.9**  $13 + 12 = 25$  address lines. Memory capacity =  $2^{25}$  words.
- 7.10**  $01011011 = 1 \quad 2 \quad 3 \quad 4 \quad 5 \quad 6 \quad 7 \quad 8 \quad 9 \quad 10 \quad 11 \quad 12 \quad 13$   
 $P_1 \quad P_2 \quad 0 \quad P_4 \quad 1 \quad 0 \quad 1 \quad P_8 \quad 1 \quad 0 \quad 1 \quad 1 \quad P_{13}$
- $P_1 = \text{Xor of bits (3, 5, 7, 9, 11)} = 0, 1, 1, 1, 1 = 0$  (Note: even # of 0s)  
 $P_2 = \text{Xor of bits (3, 6, 7, 10, 11)} = 0, 0, 1, 0, 1 = 0$   
 $P_4 = \text{Xor of bits (5, 6, 7, 12)} = 1, 0, 1, 1 = 1$  (Note: odd # of 0s)  
 $P_8 = \text{Xor of bits (9, 10, 11, 12)} = 1, 0, 1, 1 = 1$
- Composite 13-bit code word: 0001 1011 1011 1
- 7.11**  $11001001010 = 1 \quad 2 \quad 3 \quad 4 \quad 5 \quad 6 \quad 7 \quad 8 \quad 9 \quad 10 \quad 11 \quad 12 \quad 13 \quad 14 \quad 15$   
 $P_1 \quad P_2 \quad 1 \quad P_4 \quad 1 \quad 0 \quad 0 \quad P_8 \quad 1 \quad 0 \quad 0 \quad 1 \quad 0 \quad 1 \quad 0$
- $P_1 = \text{Xor of bits (3, 5, 7, 9, 11, 13, 15)} = 1, 1, 0, 1, 0, 0, 0 = 1$  (Note: odd # of 0s)  
 $P_2 = \text{Xor of bits (3, 6, 7, 10, 11, 14, 15)} = 1, 0, 0, 0, 0, 1, 0 = 0$  (Note: even # of 0s)  
 $P_4 = \text{Xor of bits (5, 6, 7, 12, 13, 14, 15)} = 1, 0, 0, 1, 0, 1, 0 = 1$   
 $P_8 = \text{Xor of bits (9, 10, 11, 12, 13, 14, 15)} = 1, 0, 0, 1, 0, 1, 0 = 1$
- Composite 15-bit code word: 101 110 011 001 010
- 7.12** (a)  $1 \quad 2 \quad 3 \quad 4 \quad 5 \quad 6 \quad 7 \quad 8 \quad 9 \quad 10 \quad 11 \quad 12$   
 $0 \quad 0 \quad 0 \quad 0 \quad 1 \quad 1 \quad 1 \quad 0 \quad 1 \quad 0 \quad 1 \quad 0$
- $C_1 (1, 3, 5, 7, 9, 11) = 0, 0, 1, 1, 1, 1 = 0$   
 $C_2 (2, 3, 6, 7, 10, 11) = 0, 0, 1, 1, 0, 1 = 1$   
 $C_4 (4, 5, 6, 7, 12) = 0, 1, 1, 1, 0 = 1$   
 $C_8 (8, 9, 10, 11, 12) = 0, 1, 0, 1, 0 = 0$
- $C = 0110$   
 Error in bit 6.  
 Correct data: 0101 1010
- (b)  $1 \quad 2 \quad 3 \quad 4 \quad 5 \quad 6 \quad 7 \quad 8 \quad 9 \quad 10 \quad 11 \quad 12$   
 $1 \quad 0 \quad 1 \quad 1 \quad 1 \quad 0 \quad 0 \quad 0 \quad 0 \quad 1 \quad 1 \quad 0$
- $C_1 (1, 3, 5, 7, 9, 11) = 1, 1, 1, 0, 0, 1 = 0$   
 $C_2 (2, 3, 6, 7, 10, 11) = 0, 1, 0, 0, 1, 1 = 1$   
 $C_4 (4, 5, 6, 7, 12) = 1, 1, 0, 0, 0 = 0$   
 $C_8 (8, 9, 10, 11, 12) = 0, 0, 1, 1, 0 = 0$
- $C = 0010$

Error in bit 2 = Parity bit  $P_2$ .

Correct 8-bit data:           3 5 6 7 9 10 11 12  
                                  1 1 0 0 0 1 1 0

(c) 1 2 3 4 5 6 7 8 9 10 11 12  
     1 0 1 1 1 1 1 1 0 1 0 0

$C = 0000$  )No errors)

$C_1(1, 3, 5, 7, 9, 11) = 1, 1, 1, 0, 0, 1 = 0$

$C_2(2, 3, 6, 7, 10, 11) = 0, 1, 0, 0, 1, 1 = 1$

$C_4(4, 5, 6, 7, 12) = 1, 1, 0, 0, 0 = 0$

$C_8(8, 9, 10, 11, 12) = 0, 0, 1, 1, 0 = 0$

Correct 8-bit data:           3 5 6 7 9 10 11 12  
                                  1 1 1 1 0 1 0 0

7.13 (a) 16-bit data (From Table 7.2): 5 Check bits  
                                                  1 bit

-----  
6 parity bits

(b) 32-bit data (From Table 7.2): 6 Check bits  
                                                  1 bit

-----  
7 parity bits

(c) 16-bit data (From Table 7.2): 5 Check bits  
                                                  1 bit

-----  
6 parity bits

7.14 (a) 1 2 3 4 5 6 7            $P_1 = \text{Xor}(3, 5, 7) = 0, 0, 0 = 1$   
       $P_1$   $P_2$  0  $P_4$  0 1 0        $P_2 = \text{Xor}(3, 6, 7) = 0, 1, 0 = 0$   
                                           $P_4 = \text{Xor}(5, 6, 7) = 0, 1, 0 = 1$

7-bit word: 0101010

(b) No error:

$C_1 = \text{Xor}(1, 3, 5, 7) = 0, 0, 0, 0 = 0$

$C_2 = \text{Xor}(2, 3, 6, 7) = 1, 0, 1, 0 = 0$

$C_4 = \text{Xor}(4, 5, 6, 7) = 1, 0, 1, 0 = 0$

(c) Error in bit 5:   1 2 3 4 5 6 7  
                          0 1 0 1 1 1 0

$C_1 = \text{Xor}(0, 0, 1, 0) = 1$

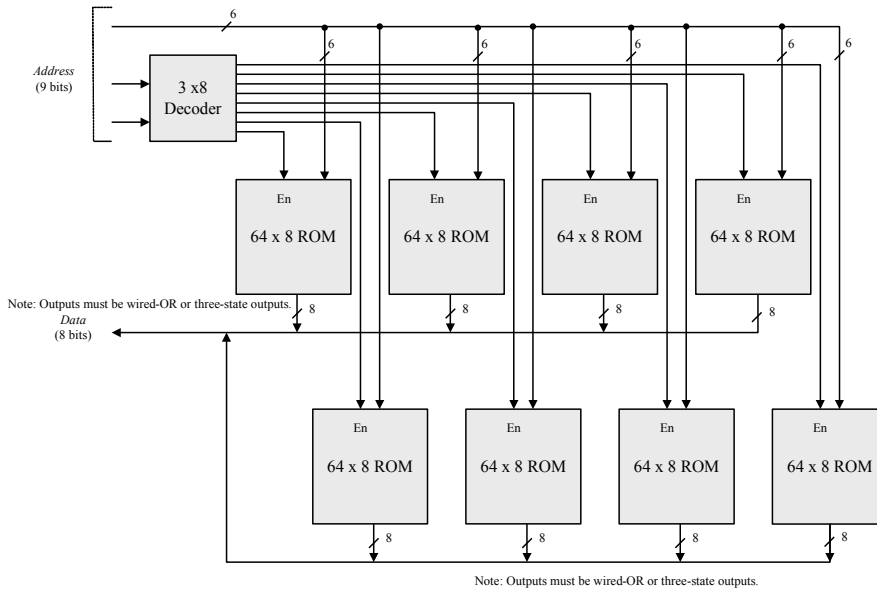
$C_2 = \text{Xor}(1, 0, 1, 0) = 0$

$C_4 = \text{Xor}(1, 1, 1, 0) = 1$

Error in bit 5:  $C = 101$

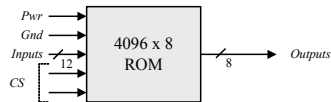
(d) 8-bit word            1 2 3 4 5 6 7 8  
                               0 1 0 1 0 1 0 1  
 Error in bits 2 and 5: 0 0 0 1 1 1 0 1  
 $C_1 = \text{Xor}(0, 0, 1, 0) = 1$   
 $C_2 = \text{Xor}(0, 0, 1, 0) = 1$   
 $C_4 = \text{Xor}(1, 1, 1, 0) = 1$   
 $P = 0$   
 $C = (1, 1, 1) \neq 0$  and  $P = 0$  indicates double error.

7.15



7.16

Note:  $4096 = 2^{12}$



16 inputs + 8 outputs requires a 24-pin IC.

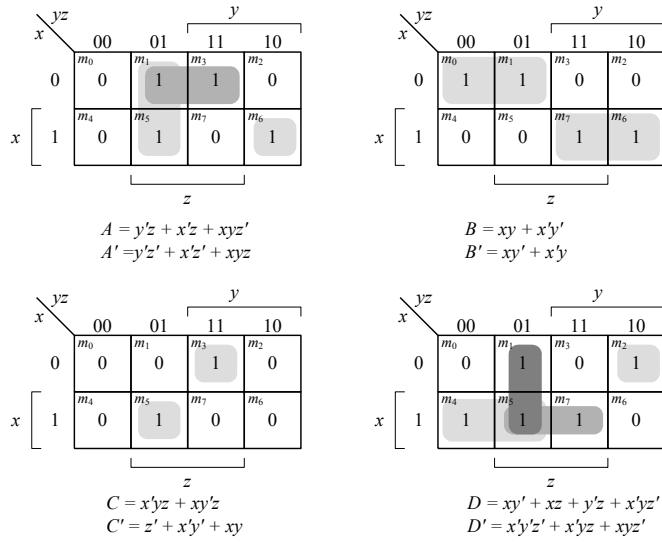
7.18 (a)  $256 \times 8$  (b)  $512 \times 5$  (c)  $1024 \times 4$  (d)  $32 \times 7$

7.17

| Input Address         |               |               |             | Output of ROM |  |
|-----------------------|---------------|---------------|-------------|---------------|--|
| $I_5 I_4 I_3 I_2 I_1$ | $D_6 D_5 D_4$ | $D_3 D_2 D_1$ | $D_0 (2^0)$ | Decimal       |  |
| 0 0 0 0 0             | 0 0 0         | 0 0 0         | 0, 1        | 0, 1          |  |
| 0 0 0 0 1             | 0 0 0         | 0 0 1         | 0, 1        | 2, 3          |  |
| ...                   | ...           | ...           | ...         | ...           |  |
| 0 1 0 0 0             | 0 0 1         | 0 1 1         | 0, 1        | 16, 17        |  |
| 0 1 0 0 1             | 0 0 1         | 1 0 0         | 0, 1        | 18, 19        |  |
| ...                   | ...           | ...           | ...         | ...           |  |
| 1 1 1 1 0             | 1 1 0         | 0 0 0         | 0, 1        | 60, 61        |  |
| 1 1 1 1 1             | 1 1 0         | 0 0 1         | 0, 1        | 62, 63        |  |

- 7.18**
- (a) 8 inputs    8 outputs     $2^8 \times 8$     256 x 8 ROM
  - (b) 9 inputs    5 outputs     $2^9 \times 5$     512 x 5 ROM
  - (c) 10 inputs    4 outputs     $2^{10} \times 4$     1024 x 4 ROM
  - (d) 5 inputs    7 outputs     $2^5 \times 7$     32 x 7 ROM

7.19

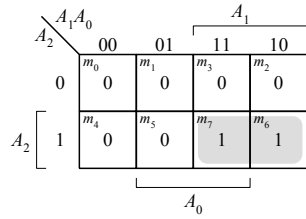


| Product term | Inputs |       | Outputs |   |   |   |
|--------------|--------|-------|---------|---|---|---|
|              | x      | y z   | A       | B | C | D |
| $y'z$        | 1      | 0 1   | 1       | - | - | 1 |
| $x'z$        | 2      | 0 1   | 1       | - | - | - |
| $xyz'$       | 3      | 1 1 0 | 1       | - | - | - |
| $xy$         | 4      | 1 1 - | -       | 1 | - | - |
| $x'y'$       | 5      | 0 0 - | -       | 1 | - | - |
| $x'yz$       | 6      | 0 1 1 | -       | - | 1 | - |
| $xy'z$       | 7      | 1 0 1 | -       | - | 1 | - |
| $xy'$        | 8      | 1 0 - | -       | - | - | 1 |
| $Xz$         | 9      | 1 - 1 | -       | - | - | 1 |
| $y'z$        | 10     | - 0 1 | -       | - | - | 1 |
| $x'yz'$      | 11     | 0 1 0 | -       | - | - | 1 |

7.20

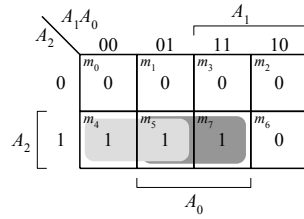
| Inputs | Outputs    |                 |
|--------|------------|-----------------|
| x y z  | A, B, C, D |                 |
| 0 0 0  | 1 1 0 1    |                 |
| 0 0 1  | 0 1 1 1    | $M[001] = 0111$ |
| 0 1 0  | 0 0 0 0    |                 |
| 0 1 1  | 1 0 0 1    |                 |
| 1 0 0  | 1 1 0 0    | $M[100] = 1100$ |
| 1 0 1  | 0 0 1 1    |                 |
| 1 1 0  | 1 0 0 0    |                 |
| 1 1 1  | 0 1 0 1    |                 |

7.21 Note: See truth table in Fig. 7.12(b).



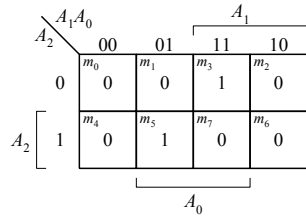
$$F_1 = A_2 A_1$$

$$F_1' = A_2' + A_1'$$



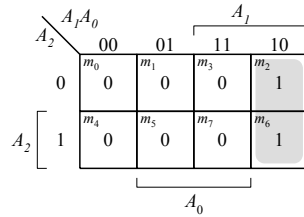
$$F_2 = A_2 A_1' + A_2 A_0$$

$$F_2' = A_2' + A_1 A_0'$$



$$F_3 = A_2' A_1 A_0 + A_2 A_1' A_0$$

$$F_3' = A_2' + A_2 A_1' + A_2 A_1$$



$$F_4 = A_1 A_0'$$

$$F_4' = A_1' + A_0$$

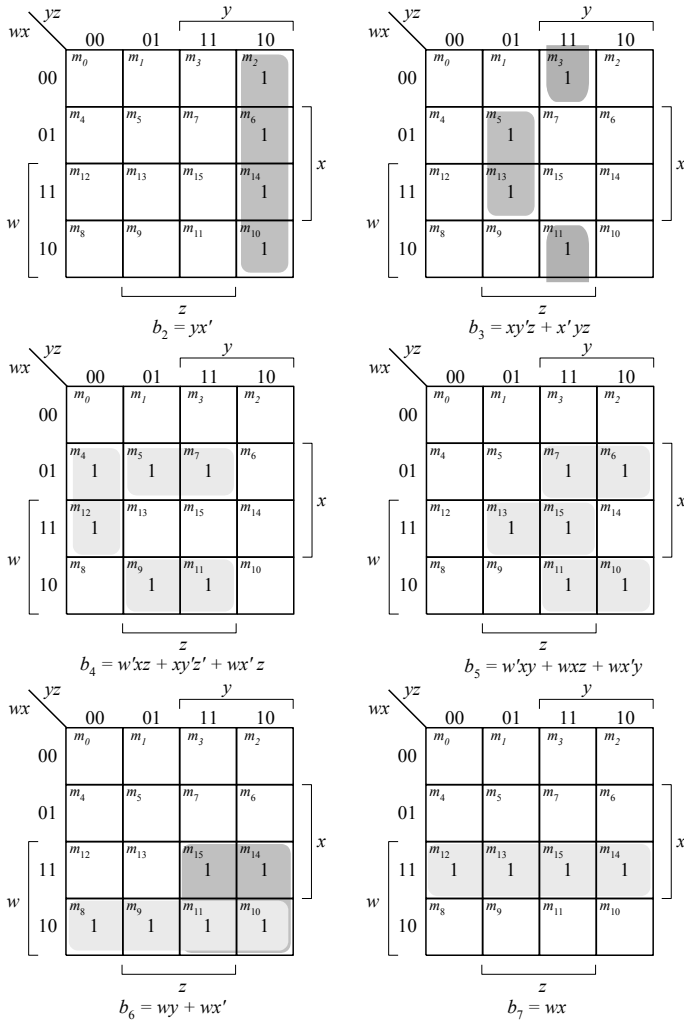
| Product term   | Inputs        | Outputs           |
|----------------|---------------|-------------------|
|                | $A_2 A_1 A_0$ | $F_1 F_2 F_3 F_4$ |
| $A_2 A_1$      | 1 1 1         | - - - -           |
| $A_2'$         | 2 0 - -       | - 1 - -           |
| $A_1 A_0'$     | 3 - 1 0       | - 1 - 1           |
| $A_2' A_1 A_0$ | 4 - 1 1       | - - 1 -           |
| $A_2 A_1'$     | 5 1 0 1       | - - 1 -           |
|                |               | <u>T C T T</u>    |

Alternative:  $F_1', F_2', F_3, F_4$   
(5 terms)

7.22

| Decimal | w   | x | y | z | $b_7$ | $b_6$ | $b_5$ | $b_4$ | $b_3$ | $b_2$ | $b_1$ | $b_0$ |
|---------|-----|---|---|---|-------|-------|-------|-------|-------|-------|-------|-------|
| 0       | 0   | 0 | 0 | 0 | 0     | 0     | 0     | 0     | 0     | 0     | 0     | 0     |
| 1       | 1   | 0 | 0 | 0 | 0     | 0     | 0     | 0     | 0     | 0     | 0     | 1     |
| 2       | 4   | 0 | 0 | 1 | 0     | 0     | 0     | 0     | 0     | 1     | 0     | 0     |
| 3       | 9   | 0 | 0 | 1 | 1     | 0     | 0     | 0     | 1     | 0     | 0     | 1     |
| 4       | 16  | 0 | 1 | 0 | 0     | 0     | 0     | 1     | 0     | 0     | 0     | 0     |
| 5       | 25  | 0 | 1 | 0 | 1     | 0     | 0     | 0     | 1     | 1     | 0     | 0     |
| 6       | 36  | 0 | 1 | 1 | 0     | 0     | 0     | 1     | 0     | 0     | 1     | 0     |
| 7       | 49  | 0 | 1 | 1 | 1     | 0     | 0     | 1     | 1     | 0     | 0     | 1     |
| 8       | 64  | 1 | 0 | 0 | 0     | 0     | 1     | 0     | 0     | 0     | 0     | 0     |
| 9       | 81  | 1 | 0 | 0 | 1     | 0     | 1     | 0     | 1     | 0     | 0     | 1     |
| 10      | 100 | 1 | 0 | 1 | 0     | 0     | 1     | 1     | 0     | 0     | 1     | 0     |
| 11      | 121 | 1 | 0 | 1 | 1     | 0     | 1     | 1     | 1     | 1     | 0     | 0     |
| 12      | 144 | 1 | 1 | 0 | 0     | 1     | 0     | 0     | 1     | 0     | 0     | 0     |
| 13      | 169 | 1 | 1 | 0 | 1     | 1     | 0     | 1     | 0     | 1     | 0     | 0     |
| 14      | 196 | 1 | 1 | 1 | 0     | 1     | 1     | 0     | 0     | 0     | 1     | 0     |
| 15      | 225 | 1 | 1 | 1 | 1     | 1     | 1     | 1     | 0     | 0     | 0     | 1     |

Note:  $b_0 = z$ , and  $b_1 = 0$ .  
ROM would have 4 inputs  
and 6 outputs. A 4 x 8  
ROM would waste two  
outputs.



7.23

From Fig. 4-3:

$$w = A + BC + BD$$

$$w' = A'B' + A'C'D'$$

$$x = B'C + B'D + BC'D'$$

$$x' = B'C'D' + BC BD$$

$$y = CD + C'D'$$

$$y' = C'D + CD'$$

$$z = D'$$

$$z' = D$$

Use  $w, x', y, z$  (7 terms)

| Product term | Inputs |   |   |   | Outputs        |                |                |                |
|--------------|--------|---|---|---|----------------|----------------|----------------|----------------|
|              | A      | B | C | D | F <sub>1</sub> | F <sub>2</sub> | F <sub>3</sub> | F <sub>4</sub> |
| A            | 1      | 1 | - | - | 1              | -              | -              | -              |
| BC           | 2      | - | 1 | 1 | 1              | 1              | -              | -              |
| BD           | 3      | - | 1 | - | 1              | 1              | -              | -              |
| B'C'D'       | 4      | - | 0 | 0 | 0              | -              | 1              | -              |
| CD           | 5      | - | - | 1 | 1              | -              | -              | 1              |
| C'D'         | 6      | - | - | 0 | 0              | -              | -              | 1              |
| D'           | 7      | - | - | - | 0              | -              | -              | 1              |
|              |        |   |   |   |                |                |                |                |
|              |        |   |   |   | <u>T</u>       | <u>C</u>       | <u>T</u>       | <u>T</u>       |

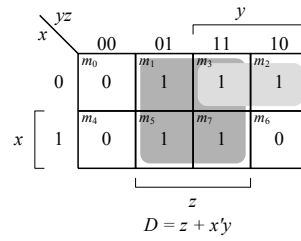
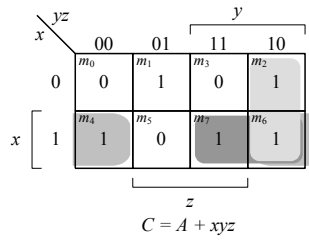
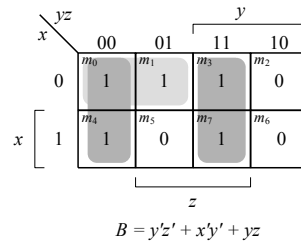
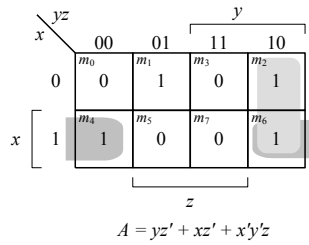
7.24

AND

| Product term | Inputs |   |   |   | Outputs                 |
|--------------|--------|---|---|---|-------------------------|
|              | A      | B | C | D |                         |
| 1            | 1      | - | - | - | $w = A + BC + BD$       |
| 2            | -      | 1 | 1 | - |                         |
| 3            | -      | 1 | - | 1 |                         |
| 4            | -      | 0 | 1 | - | $x = B'C + B'D + BC'D'$ |
| 5            | -      | 0 | - | 1 |                         |
| 6            | -      | 1 | 0 | 0 |                         |
| 7            | -      | - | 1 | 1 | $y = CD + C'D'$         |
| 8            | -      | - | 0 | 0 |                         |
| 9            | -      | - | - | - |                         |
| 10           | -      | - | - | 0 | $z = D'$                |
| 11           | -      | - | - | - |                         |
| 12           | -      | - | - | - |                         |



## 7.25



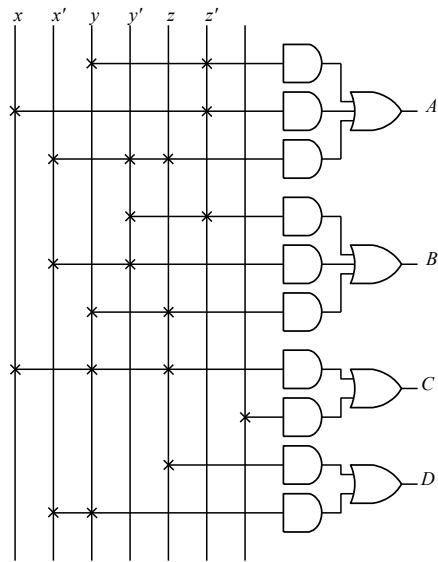
| AND          |   |   |   |   |
|--------------|---|---|---|---|
| Product term | x | y | z | A |
| 1            | - | 1 | 0 | - |
| 2            | 1 | - | 0 | - |
| 3            | 0 | 0 | 1 | - |
| 4            | - | 0 | 0 | - |
| 5            | 0 | 0 | - | - |
| 6            | 0 | 1 | 1 | - |
| 7            | 0 | - | - | 1 |
| 8            | 1 | 1 | 1 | - |
| 9            | 0 | - | - | - |
| 10           | 0 | - | 1 | - |
| 11           | 0 | 1 | - | - |
| 12           | - | - | - | - |

$$A = yz' + xz' + x'y'z$$

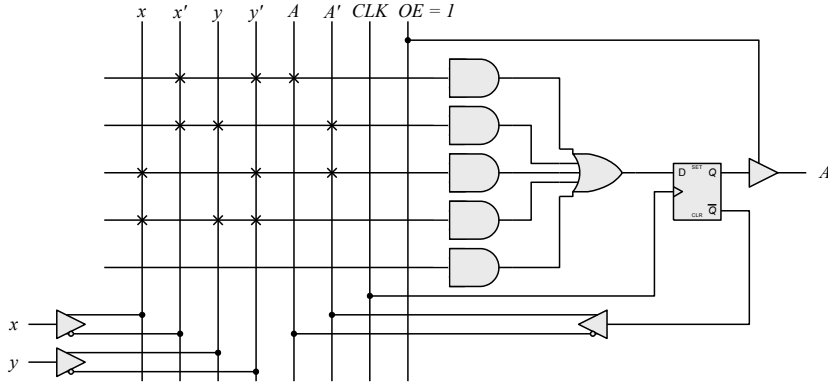
$$B = y'z' + x'y' + yz$$

$$C = A + xyz$$

$$D = z + x'y$$



7.26



7.27

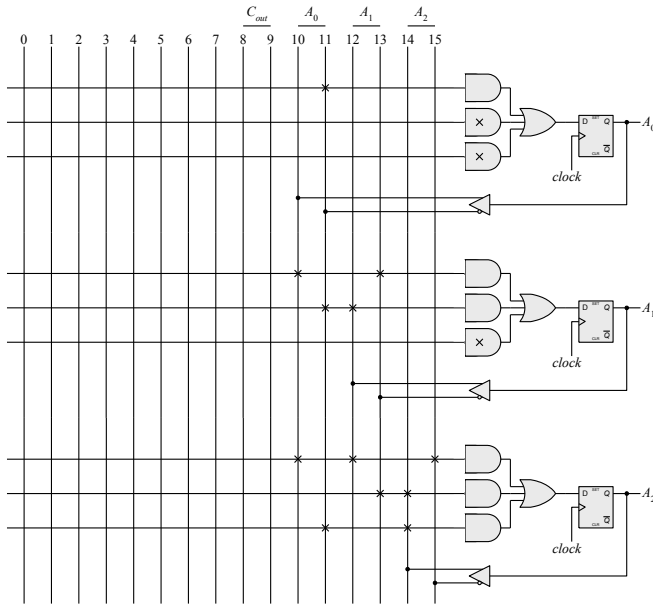
The results of Prob. 6.17 can be used to develop the equations for a three-bit binary counter with D-type flip-flops.

$$DA_0 = A'_0$$

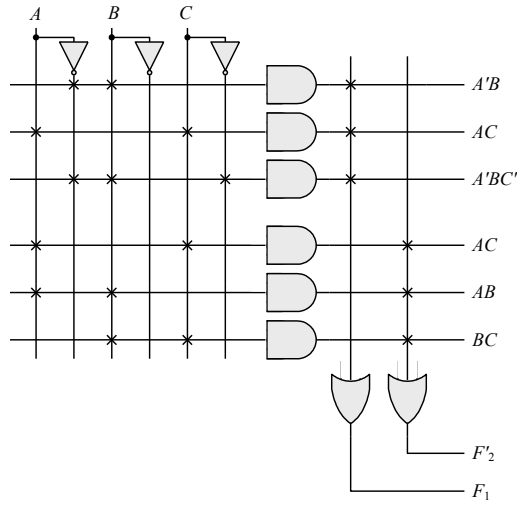
$$DA_1 = A'_1 A_0 + A_1 A'_0$$

$$DA_2 = A'_2 A_1 A_0 + A_2 A'_1 + A_2 A'_0$$

$$C_{out} = A_2 A_1 A_0$$



7.28



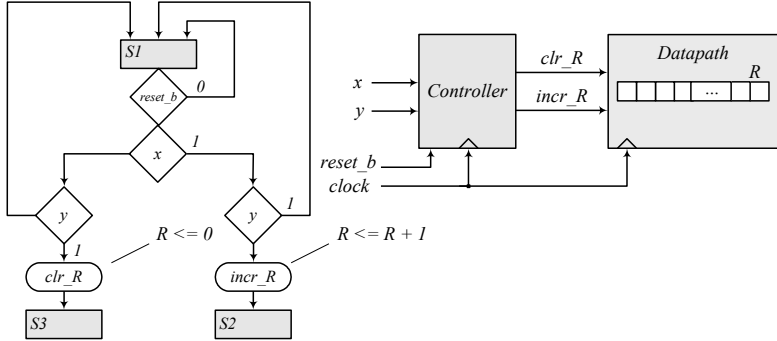
7.29

| Product term | Inputs  | Output |
|--------------|---------|--------|
|              | $x y A$ | $D_A$  |
| $x'y'A$      | 1 0 0 1 | 1      |
| $x'y'A'$     | 2 0 1 0 | 1      |
| $xy'A'$      | 3 1 0 0 | 1      |
| $xy'A$       | 4 1 1 1 | 1      |

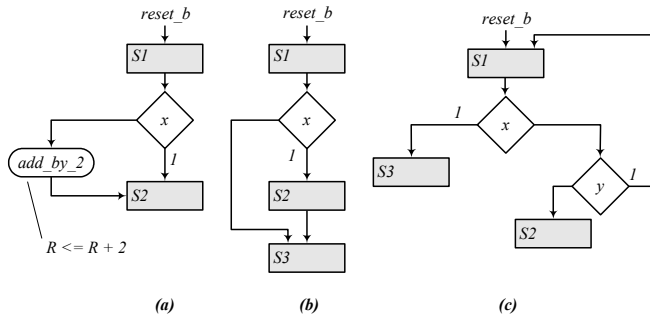
CHAPTER 8

- 8.1 (a) The transfer and increment occur concurrently, i.e., at the same clock edge. After the transfer,  $R2$  holds the contents that were in  $R1$  before the clock edge, and  $R2$  holds its previous value incremented by 1.  
 (b) Decrement the content of  $R3$  by one.  
 (c) If ( $S_1 = 1$ ), transfer content of  $R1$  to  $R0$ . If ( $S_1 = 0$  and  $S_2 = 1$ ), transfer content of  $R2$  to  $R0$ .

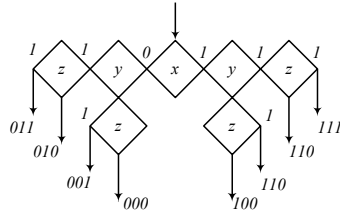
8.2



8.3



8.4

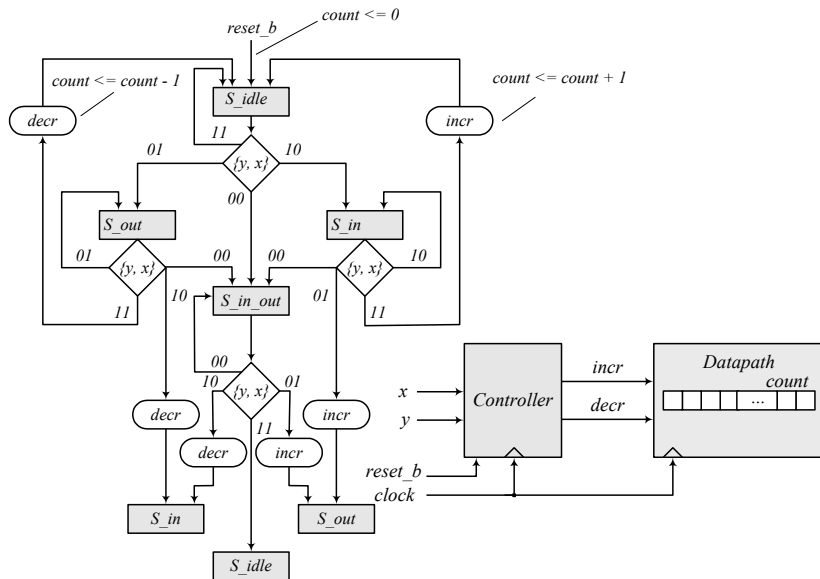


**8.5** The operations specified in a flowchart are executed sequentially, one at a time. The operations specified in an ASM chart are executed concurrently for each ASM block. Thus, the operations listed within a state box, the operations specified by a conditional box, and the transfer to the next state in each ASM block are executed at the same clock edge. For example, in Fig. 8.5 with  $Start = 1$  and  $Flag = 1$ , signal  $Flush_R$  is asserted. At the clock edge the state moves to  $S_2$ , and register  $R$  is flushed.

An ASM chart describes the state transitions and output signals generated by a finite state machine in response to its input signals. An ASMD chart is an ASM chart that has been annotated to indicate the register operations that are executed by the machine in response to the control signals (output) generated by the state machine.

**8.6**

*Note: In practice, the asynchronous inputs  $x$  and  $y$  should be synchronized to the clock to avoid metastable conditions in the flip-flops..*



*Note: To avoid counting a person more than once, the machine waits until  $x$  or  $y$  is deasserted before incrementing or decrementing the counter. The machine also accounts for persons entering and leaving simultaneously.*

## 8.7

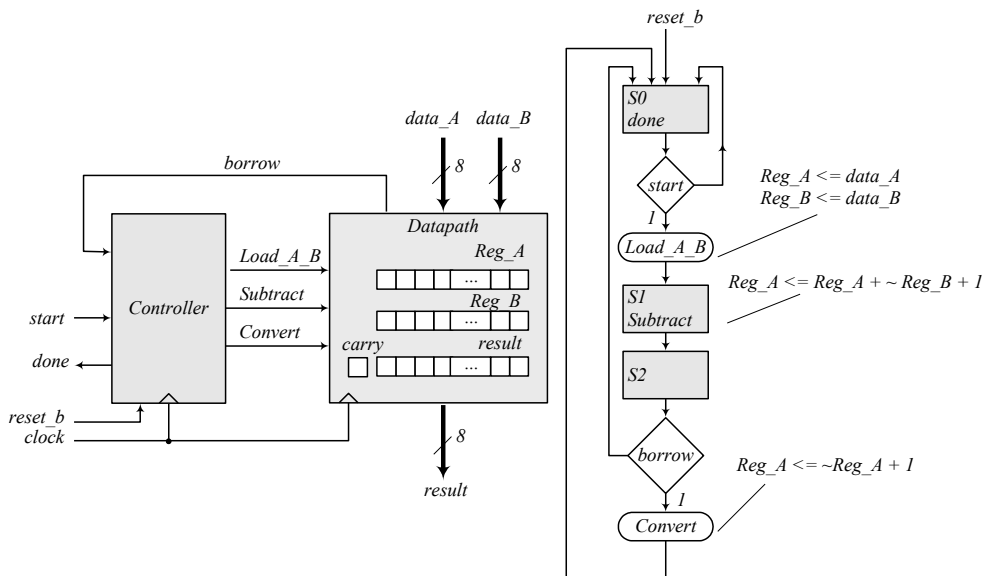
RTL notation:

$S0$ : Initial state: if (start = 1) then ( $RA \leftarrow data\_A$ ,  $RB \leftarrow data\_B$ , go to  $S1$ ).

$S1$ : {Carry,  $RA$ }  $\leftarrow RA + (2$ 's complement of  $RB)$ , go to  $S2$ .

$S2$ : If (borrow = 0) go to  $S0$ . If (borrow = 1) then  $RA \leftarrow (2$ 's complement of  $RA)$ , go to  $S0$ .

Block diagram and ASMD chart:



```
module Subtractor_P8_7
```

```
(output done, output [7:0] result, input [7: 0] data_A, data_B, input start, clock, reset_b);
```

```
Controller_P8_7 M0 (Load_A_B, Subtract, Convert, done, start, borrow, clock, reset_b);
```

```
Datapath_P8_7 M1 (result, borrow, data_A, data_B, Load_A_B, Subtract, Convert, clock, reset_b);
```

```
endmodule
```

```
module Controller_P8_7 (output reg Load_A_B, Subtract, output reg Convert, output done,
```

```
input start, borrow, clock, reset_b);
```

```
parameter S0 = 2'b00, S1 = 2'b01, S2 = 2'b10;
```

```
reg [1: 0] state, next_state;
```

```
assign done = (state == S0);
```

```
always @ (posedge clock, negedge reset_b)
```

```
if (!reset_b) state <= S0; else state <= next_state;
```

```
always @ (state, start, borrow) begin
```

```
Load_A_B = 0;
```

```
Subtract = 0;
```

```
Convert = 0;
```

```
case (state)
```

```
S0: if (start) begin Load_A_B = 1; next_state = S1; end
```

```
S1: begin Subtract = 1; next_state = S2; end
```

```
S2: begin next_state = S0; if (borrow) Convert = 1; end
```

```
default: next_state = S0;
```

```
endcase
```

```
end
```

```
endmodule
```

```

module Datapath_P8_7 (output [7: 0] result, output borrow, input [7: 0] data_A, data_B,
input Load_A_B, Subtract, Convert, clock, reset_b);
reg carry;
reg [8:0] diff;
reg [7: 0] RA, RB;
assign borrow = carry;
assign result = RA;

always @ (posedge clock, negedge reset_b)
if (!reset_b) begin carry <= 1'b0; RA <= 8'b0000_0000; RB <= 8'b0000_0000; end
else begin
 if (Load_A_B) begin RA <= data_A; RB <= data_B; end
 else if (Subtract) {carry, RA} <= RA + ~RB + 1;

 // In the statement above, the math of the LHS is done to the wordlength of the LHS
 // The statement below is more explicit about how the math for subtraction is done:
 // else if (Subtract) {carry, RA} <= {1'b0, RA} + {1'b1, ~RB} + 9'b0000_0001;
 // If the 9-th bit is not considered, the 2s complement operation will generate a carry bit,
 // and borrow must be formed as borrow = ~carry.

 else if (Convert) RA <= ~RA + 8'b0000_0001;
end
endmodule

// Test plan – Verify;
// Power-up reset
// Subtraction with data_A > data_B
// Subtraction with data_A < data_B
// Subtraction with data_A = data_B
// Reset on-the-fly: left as an exercise

module t_Subtractor_P8_7;
wire done;
wire [7:0] result;
reg [7: 0] data_A, data_B;
reg start, clock, reset_b;

Subtractor_P8_7 M0 (done, result, data_A, data_B, start, clock, reset_b);

initial #200 $finish;
initial begin clock = 0; forever #5 clock = ~clock; end
initial fork
 reset_b = 0;
 #2 reset_b = 1;
 #90 reset_b = 1;
 #92 reset_b = 1;
join

initial fork
 #20 start = 1;
 #30 start = 0;
 #70 start = 1;
 #110 start = 1;
join

initial fork
 data_A = 8'd50;
 data_B = 8'd20;

 #50 data_A = 8'd20;
 #50 data_B = 8'd50;

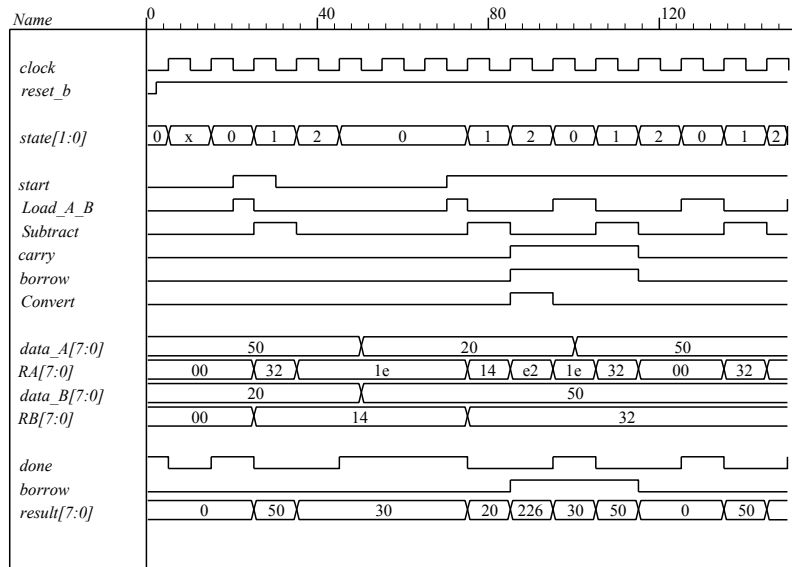
```



```

#100 data_A = 8'd50;
#100 data_B = 8'd50;
join
endmodule

```



## 8.8

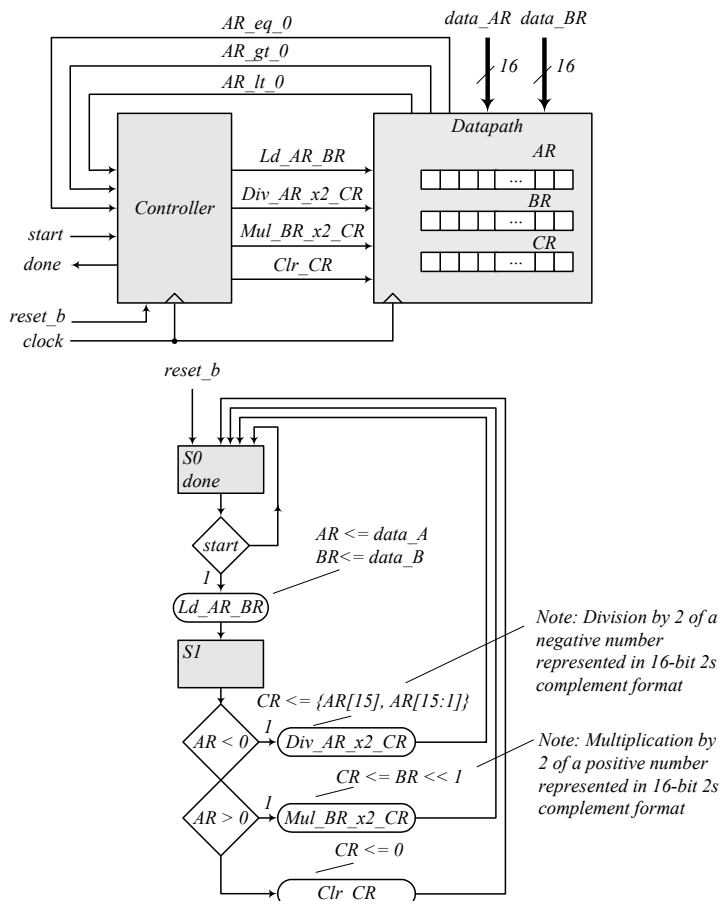
RTL notation:

*S0*: if (start = 1)  $AR \leftarrow$  input data,  $BR \leftarrow$  input data, go to *S1*.

*S1*: if (AR [15] = 1 (sign bit negative) then  $CR \leftarrow AR$ (shifted right, sign extension).

else if (positive non-zero) then (Overflow  $\leftarrow BR$ ([15]  $\oplus$  [14]),  $CR \leftarrow BR$ (shifted left)

else if ( $AR = 0$ ) then ( $CR \leftarrow 0$ ).



```
module Prob_8_8 (output done, input [15: 0] data_AR, data_BR, input start, clock, reset_b);
```

```
 Controller_P8_8 M0 (
 Ld_AR_BR, Div_AR_x2_CR, Mul_BR_x2_CR, Clr_CR, done,
 start, AR_lt_0, AR_gt_0, AR_eq_0, clock, reset_b
);
 Datapath_P8_8 M1 (
 Overflow, AR_lt_0, AR_gt_0, AR_eq_0, data_AR, data_BR,
 Ld_AR_BR, Div_AR_x2_CR, Mul_BR_x2_CR, Clr_CR, clock, reset_b
);
endmodule
```

```

module Controller_P8_8 (
 output reg Ld_AR_BR, Div_AR_x2_CR, Mul_BR_x2_CR, Clr_CR,
 output done, input start, AR_lt_0, AR_gt_0, AR_eq_0, clock, reset_b
);
 parameter S0 = 1'b0, S1 = 1'b1;
 reg state, next_state;
 assign done = (state == S0);

 always @ (posedge clock, negedge reset_b)
 if (!reset_b) state <= S0; else state <= next_state;

 always @ (state, start, AR_lt_0, AR_gt_0, AR_eq_0) begin
 Ld_AR_BR = 0;
 Div_AR_x2_CR = 0;
 Mul_BR_x2_CR = 0;
 Clr_CR = 0;

 case (state)
 S0: if (start) begin Ld_AR_BR = 1; next_state = S1; end
 S1: begin
 next_state = S0;
 if (AR_lt_0) Div_AR_x2_CR = 1;
 else if (AR_gt_0) Mul_BR_x2_CR = 1;
 else if (AR_eq_0) Clr_CR = 1;
 end
 default: next_state = S0;
 endcase
 end
endmodule

module Datapath_P8_8 (
 output reg Overflow, output AR_lt_0, AR_gt_0, AR_eq_0, input [15:0] data_AR, data_BR,
 input Ld_AR_BR, Div_AR_x2_CR, Mul_BR_x2_CR, Clr_CR, clock, reset_b
);
 reg [15:0] AR, BR, CR;
 assign AR_lt_0 = AR[15];
 assign AR_gt_0 = (!AR[15]) && (!AR[14:0]); // Reduction-OR
 assign AR_eq_0 = (AR == 16'b0);

 always @ (posedge clock, negedge reset_b)
 if (!reset_b) begin AR <= 8'b0; BR <= 8'b0; CR <= 16'b0; end
 else begin
 if (Ld_AR_BR) begin AR <= data_AR; BR <= data_BR; end
 else if (Div_AR_x2_CR) CR <= {AR[15], AR[15:1]}; // For compiler without arithmetic right shift
 else if (Mul_BR_x2_CR) {Overflow, CR} <= (BR << 1);
 else if (Clr_CR) CR <= 16'b0;
 end
 endmodule

// Test plan – Verify;
// Power-up reset
// If AR < 0 divide AR by 2 and transfer to CR
// If AR > 0 multiply AR by 2 and transfer to CR
// If AR = 0 clear CR
// Reset on-the-fly

```

```

module t_Prob_P8_8;
wire done;
reg [15: 0] data_AR, data_BR;
reg start, clock, reset_b;
reg [15: 0] AR_mag, BR_mag, CR_mag; // To illustrate 2s complement math

// Probes for displaying magnitude of numbers
always @ (M0.M1.AR) // Hierarchical dereferencing
 if (M0.M1.AR[15]) AR_mag = ~M0.M1.AR+ 16'd1; else AR_mag = M0.M1.AR;
always @ (M0.M1.BR)
 if (M0.M1.BR[15]) BR_mag = ~M0.M1.BR+ 16'd1; else BR_mag = M0.M1.BR;
always @ (M0.M1.CR)
 if (M0.M1.CR[15]) CR_mag = ~M0.M1.CR + 16'd1; else CR_mag = M0.M1.CR;

Prob_8_8 M0 (done, data_AR, data_BR, start, clock, reset_b);

initial #250 $finish;
initial begin clock = 0; forever #5 clock = ~clock; end
initial fork
 reset_b = 0; // Power-up reset
 #2 reset_b = 1;
 #50 reset_b = 0; // Reset on-the-fly
 #52 reset_b = 1;
 #90 reset_b = 1;
 #92 reset_b = 1;
join

initial fork
 #20 start = 1;
 #30 start = 0;
 #70 start = 1;
 #110 start = 1;
join

initial fork
 data_AR = 16'd50; // AR > 0
 data_BR = 16'd20; // Result should be 40

 #50 data_AR = 16'd20;
 #50 data_BR = 16'd50; // Result should be 100

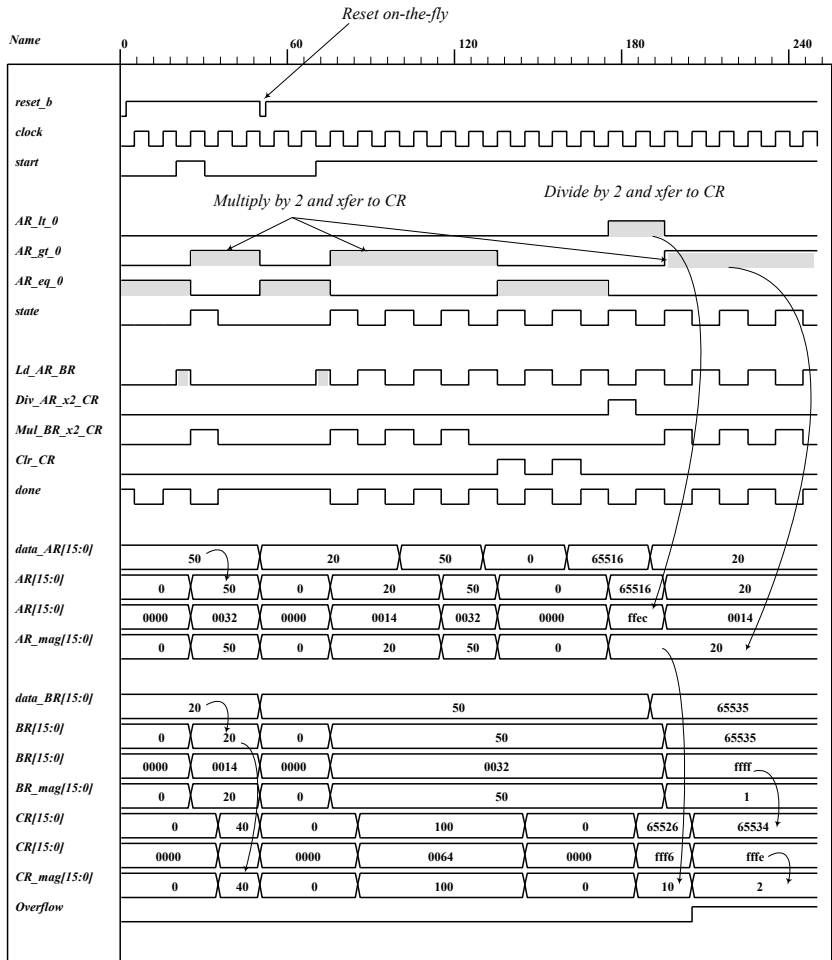
 #100 data_AR = 16'd50;
 #100 data_BR = 16'd50;

 #130 data_AR = 16'd0; // AR = 0, result should clear CR

 #160 data_AR = -16'd20; // AR < 0, Verilog stores 16-bit 2s complement
 #160 data_BR = 16'd50; // Result should have magnitude 10

 #190 data_AR = 16'd20; // AR < 0, Verilog stores 16-bit 2s complement
 #190 data_BR = 16'hfff; // Result should have overflow
join
endmodule

```



## 8.9

Design equations:

$$D_{S\_idle} = S\_2 + S\_idle \text{ Start}'$$

$$D_{S\_1} = S\_idle \text{ Start} + S\_1 (A2 \ A3)'$$

$$D_{S\_2} = A2 \ A3 \ S\_1$$

HDL description:

```

module Prob_8_9 (output E, F, output [3: 0] A, output A2, A3, input Start, clock, reset_b);

 Controller_Prob_8_9 M0 (set_E, clr_E, set_F, clr_A_F, incr_A, Start, A2, A3, clock, reset_b);
 Datapath_Prob_8_9 M1 (E, F, A, A2, A3, set_E, clr_E, set_F, clr_A_F, incr_A, clock, reset_b);

endmodule

// Structural version of the controller (one-hot)
// Note that the flip-flop for S_idle must have a set input and reset_b is wire to the set
// Simulation results match Fig. 8-13

module Controller_Prob_8_9 (
 output set_E, clr_E, set_F, clr_A_F, incr_A,
 input Start, A2, A3, clock, reset_b
);

 wire D_S_idle, D_S_1, D_S_2;
 wire q_S_idle, q_S_1, q_S_2;
 wire w0, w1, w2, w3;
 wire [2:0] state = {q_S_2, q_S_1, q_S_idle};

 // Next-State Logic
 or (D_S_idle, q_S_2, w0); // input to D-type flip-flop for q_S_idle
 and (w0, q_S_idle, Start_b);
 not (Start_b, Start);

 or (D_S_1, w1, w2, w3); // input to D-type flip-flop for q_S_1
 and (w1, q_S_idle, Start);
 and (w2, q_S_1, A2_b);
 not (A2_b, A2);
 and (w3, q_S_1, A2, A3_b);
 not (A3_b, A3);

 and (D_S_2, A2, A3, q_S_1); // input to D-type flip-flop for q_S_2

 D_flop_S M0 (q_S_idle, D_S_idle, clock, reset_b);
 D_flop M1 (q_S_1, D_S_1, clock, reset_b);
 D_flop M2 (q_S_2, D_S_2, clock, reset_b);

 // Output Logic
 and (set_E, q_S_1, A2);
 and (clr_E, q_S_1, A2_b);
 buf (set_F, q_S_2);
 and (clr_A_F, q_S_idle, Start);
 buf (incr_A, q_S_1);
endmodule

module D_flop (output reg q, input data, clock, reset_b);
 always @ (posedge clock, negedge reset_b)
 if (!reset_b) q <= 1'b0; else q <= data;
endmodule

module D_flop_S (output reg q, input data, clock, set_b);

```

```

always @ (posedge clock, negedge set_b)
 if (!set_b) q <= 1'b1; else q <= data;
endmodule

/*
// RTL Version of the controller
// Simulation results match Fig. 8-13

module Controller_Prob_8_9 (
 output reg set_E, clr_E, set_F, clr_A_F, incr_A,
 input Start, A2, A3, clock, reset_b
);
parameter S_idle = 3'b001, S_1 = 3'b010, S_2 = 3'b100; // One-hot
reg [2: 0] state, next_state;

always @ (posedge clock, negedge reset_b)
 if (!reset_b) state <= S_idle; else state <= next_state;

always @ (state, Start, A2, A3) begin
 set_E = 1'b0;
 clr_E = 1'b0;
 set_F = 1'b0;
 clr_A_F = 1'b0;
 incr_A = 1'b0;
 case (state)
 S_idle: if (Start) begin next_state = S_1; clr_A_F = 1; end
 else next_state = S_idle;

 S_1: begin
 incr_A = 1;
 if (!A2) begin next_state = S_1; clr_E = 1; end
 else begin
 set_E = 1;
 if (A3) next_state = S_2; else next_state = S_1;
 end
 end

 S_2: begin next_state = S_idle; set_F = 1; end
 default: next_state = S_idle;
 endcase
end
endmodule
*/
module Datapath_Prob_8_9 (
 output reg E, F, output reg [3: 0] A, output A2, A3,
 input set_E, clr_E, set_F, clr_A_F, incr_A, clock, reset_b
);
assign A2 = A[2];
assign A3 = A[3];

always @ (posedge clock, negedge reset_b) begin
 if (!reset_b) begin E <= 0; F <= 0; A <= 0; end
 else begin
 if (set_E) E <= 1;
 if (clr_E) E <= 0;
 if (set_F) F <= 1;
 if (clr_A_F) begin A <= 0; F <= 0; end
 if (incr_A) A <= A + 1;
 end
end
endmodule

```

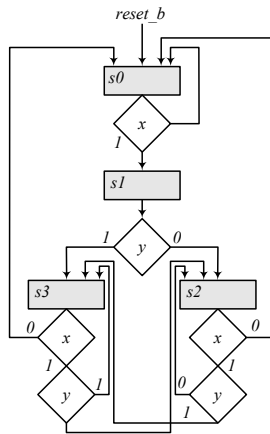
```
// Test Plan - Verify: (1) Power-up reset, (2) match ASMD chart in Fig. 8-9 (d),
// (3) recover from reset on-the-fly
```

```
module t_Prob_8_9;
 wire E, F;
 wire [3: 0] A;
 wire A2, A3;
 reg Start, clock, reset_b;

 Prob_8_9 M0 (E, F, A, A2, A3, Start, clock, reset_b);

 initial #500 $finish;
 initial begin clock = 0; forever #5 clock = ~clock; end
 initial begin reset_b = 0; #2 reset_b = 1; end
 initial fork
 #20 Start = 1;
 #40 reset_b = 0;
 #62 reset_b = 1;
 join
endmodule
```

## 8.10



```
module Prob_8_10 (input x, y, clock, reset_b);
 reg [1: 0] state, next_state;
 parameter s0 = 2'b00, s1 = 2'b01, s2 = 2'b10, s3 = 2'b11;
 always @ (posedge clock, negedge reset_b)
 if (reset_b == 0) state <= s0; else state <= next_state;

 always @ (state, x, y) begin
 next_state = s0;
 case (state)
 s0: if (x == 0) next_state = s0; else next_state = s1;
 s1: if (y == 0) next_state = s2; else next_state = s3;
 s2: if (x == 0) next_state = s0; else if (y == 0) next_state = s2; else next_state = s3;
 s3: if (x == 0) next_state = s0; else if (y == 0) next_state = s2; else next_state = s3;
 endcase
 end
endmodule

module t_Prob_8_10 ();
 reg x, y, clock, reset_b;
```

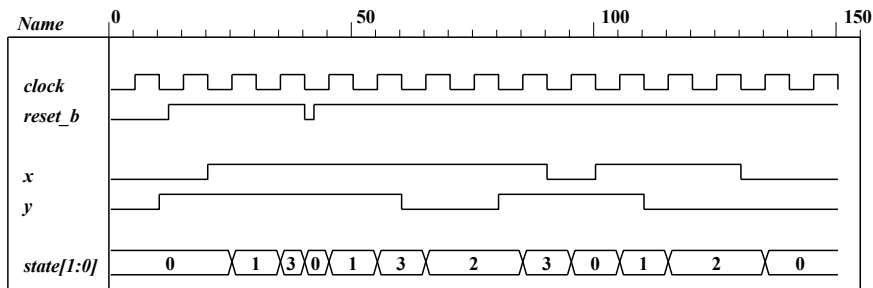


Prob\_8\_10 M0 (x, y, clock, reset\_b);

```

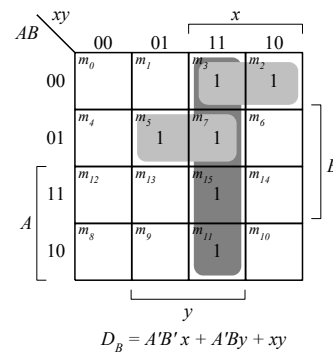
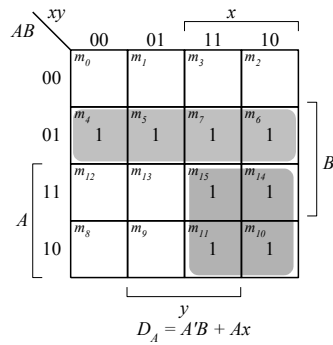
initial #150 $finish;
initial begin clock = 0; forever #5 clock = ~clock; end
initial fork
 reset_b = 0;
 #12 reset_b = 1;
 x = 0; y = 0; // Remain in s0
 #10 y = 1; // Remain in s0
 #20 x = 1; // Go to s1 to s3
 #40 reset_b = 0; // Go to s0
 #42 reset_b = 1; // Go to s2 to s3
 #60 y = 0; // Go to s2
 #80 y = 1; // Go to s3
 #90 x = 0; // Go to s0
 #100 x = 1; // Go to s1
 #110 y = 0; // Go to s2
 #130 x = 0; // Go to s0
join
endmodule

```

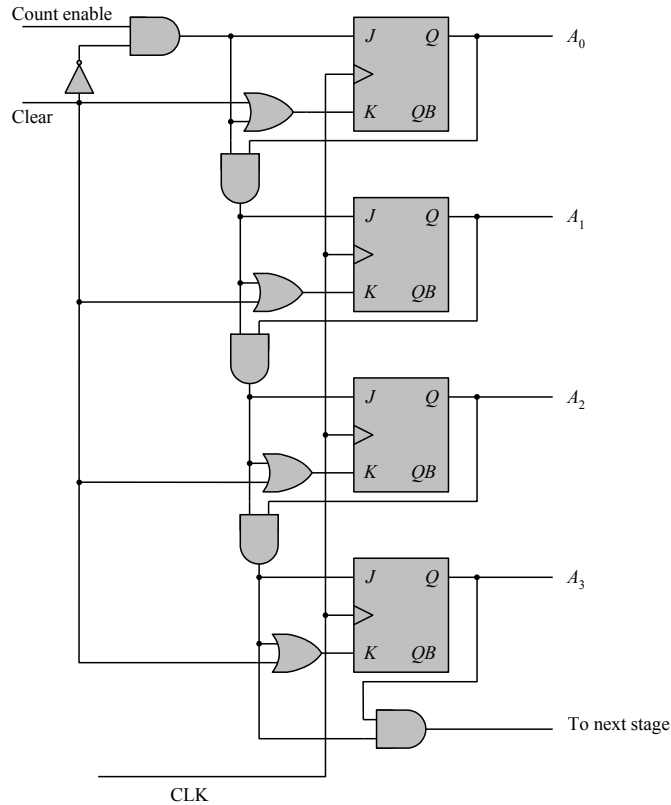


8.11  $D_A = A'B + Ax$   
 $D_B = A'B'x + A'By + xy$

| state | inputs | next state |
|-------|--------|------------|
| 0 0   | 0 0    | 0 0        |
| 0 0   | 0 1    | 0 0        |
| 0 0   | 1 0    | 0 1        |
| 0 0   | 1 1    | 0 1        |
| 0 1   | 0 0    | 1 0        |
| 0 1   | 0 1    | 1 1        |
| 0 1   | 1 0    | 1 0        |
| 0 1   | 1 1    | 1 1        |
| 1 0   | 0 0    | 0 0        |
| 1 0   | 0 1    | 0 0        |
| 1 0   | 1 0    | 1 0        |
| 1 0   | 1 1    | 1 1        |
| 1 1   | 0 0    | 0 0        |
| 1 1   | 0 1    | 0 0        |
| 1 1   | 1 0    | 1 0        |
| 1 1   | 1 1    | 1 1        |



- 8.12 For the 4-bit synchronous counter, modify the counter in Fig. 6.12 to add a signal, Clear, to clear the counter synchronously, as shown in the circuit diagram below.



```

module Counter_4bit_Synch_Clr (output [3: 0] A, output next_stage, input Count_enable, Clear, CLK);
wire A0, A1, A2, A3;
assign A[3: 0] = {A3, A2, A1, A0};
JK_FF M0 (A0, J0, K0, CLK);
JK_FF M1 (A1, J1, K1, CLK);
JK_FF M2 (A2, J2, K2, CLK);
JK_FF M3 (A3, J3, K3, CLK);

not (Clear_b, Clear);
and (J0, Count_enable, Clear_b);
and (J1, J0, A0);
and (J2, J1, A1);
and (J3, J2, A2);

or (K0, Clear, J0);
or (K1, Clear, J1);
or (K2, Clear, J2);
or (K3, Clear, J3);

and (next_stage, A3, J3);
endmodule

```

```

module JK_FF (output reg Q, input J, K, clock);
always @ (posedge clock)
 case ({J,K})
 2'b00: Q <= Q;
 2'b01: Q <= 0;
 2'b10: Q <= 1;
 2'b11: Q <= ~Q;
 endcase
endmodule

```

```

module t_Counter_4bit_Synch_Clr ();
wire [3: 0] A;
wire next_stage;
reg Count_enable, Clear, clock;

```

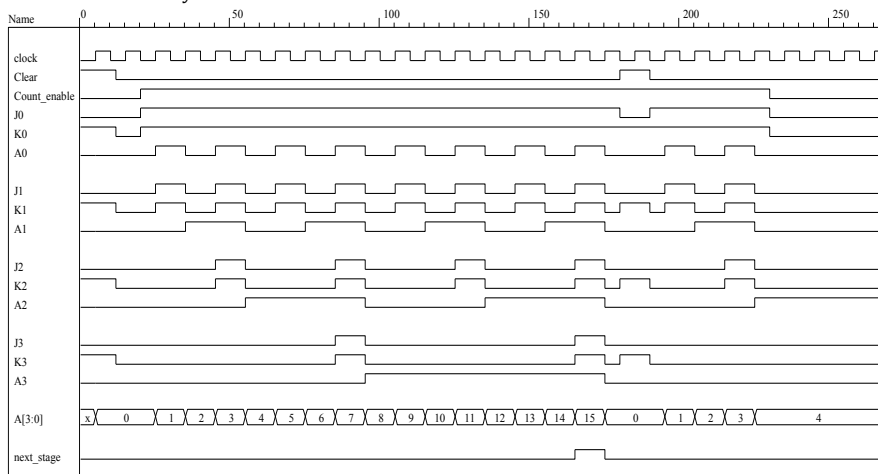
Counter\_4bit\_Synch\_Clr M0 (A, next\_stage, Count\_enable, Clear, clock);

```

initial #300 $finish;
initial begin clock = 0; forever #5 clock = ~clock; end
initial fork
 Clear = 1;
 Count_enable = 0;
 #12 Clear = 0;
 #20 Count_enable = 1;
 #180 Clear = 1;
 #190 Clear = 0;
 #230 Count_enable = 0;
join
endmodule

```

Simulation results: synchronous clear.



(b)

```

module Counter_4bit_Asynch_Clr_b (
 output [3: 0] A, output next_stage, input Count_enable, Clk, Clear_b
);
wire A0, A1, A2, A3;
assign A[3: 0] = {A3, A2, A1, A0};

```

```

wire J0, K0, J1, K1, J2, K2, J3, K3;
assign K0 = J0;
assign K1 = J1;
assign K2 = J2;
assign K3 = J3;

JK_FF M0 (A0, J0, K0, Clk, Clear_b);
JK_FF M1 (A1, J1, K1, Clk, Clear_b);
JK_FF M2 (A2, J2, K2, Clk, Clear_b);
JK_FF M3 (A3, J3, K3, Clk, Clear_b);

and (J0, Count_enable);
and (J1, J0, A0);
and (J2, J1, A1);
and (J3, J2, A2);

and (next_stage, A3, J3);
endmodule

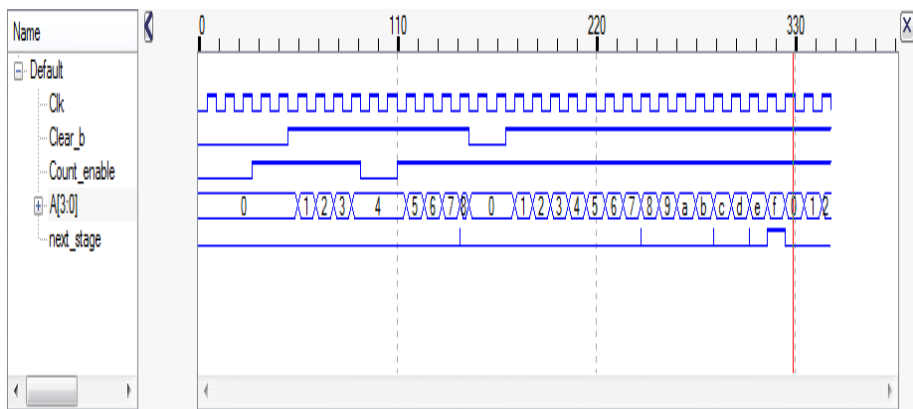
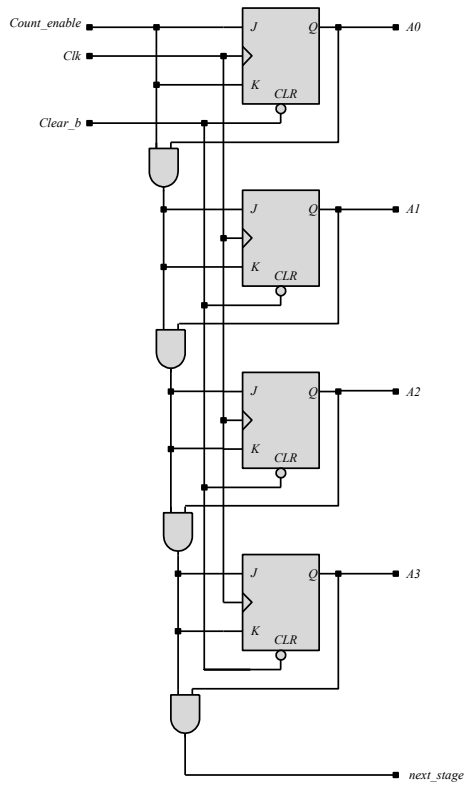
module JK_FF (output reg Q, input J, K, clock, Clear_b);
always @ (posedge clock, negedge Clear_b)
 if (Clear_b == 1'b0) Q <= 0;
 else
 case ((J,K))
 2'b00: Q <= Q;
 2'b01: Q <= 0;
 2'b10: Q <= 1;
 2'b11: Q <= ~Q;
 endcase
endmodule

module t_Counter_4bit_Asynch_Clr_b ();
wire [3: 0] A;
wire next_stage;
reg Count_enable, Clk, Clear_b;

Counter_4bit_Asynch_Clr_b M0 (A, next_stage, Count_enable, Clk, Clear_b);

initial #200 $finish;
initial begin Clk = 0; forever #5 Clk = ~Clk; end
initial fork
 Count_enable = 0;
 Clear_b = 0;
 #30 Count_enable = 1;
 #50 Clear_b = 1;
 #90 Count_enable = 0;
 #110 Count_enable = 1;
 #150 Clear_b = 0;
 #170 Clear_b = 1;
join
endmodule

```



## 8.13

```
// Structural description of design example (Fig. 8-10, 8-12)
module Design_Example_STR

 (output [3:0] A,
 output E, F,
 input Start, clock, reset_b
);

 Controller_STR M0 (clr_A_F, set_E, clr_E, set_F, incr_A, Start, A[2], A[3], clock, reset_b);
 Datapath_STR M1 (A, E, F, clr_A_F, set_E, clr_E, set_F, incr_A, clock);
endmodule

module Controller_STR
(output clr_A_F, set_E, clr_E, set_F, incr_A,
 input Start, A2, A3, clock, reset_b
);

 wire G0, G1;
 parameter S_idle = 2'b00, S_1 = 2'b01, S_2 = 2'b11;
 wire w1, w2, w3;

 not (G0_b, G0);
 not (G1_b, G1);
 buf (incr_A, w2);
 buf (set_F, G1);
 not (A2_b, A2);
 or (D_G0, w1, w2);
 and (w1, Start, G0_b);
 and (clr_A_F, G0_b, Start);
 and (w2, G0, G1_b);
 and (set_E, w2, A2);
 and (clr_E, w2, A2_b);
 and (D_G1, w3, w2);
 and (w3, A2, A3);
 D_flip_flop_AR M0 (G0, D_G0, clock, reset_b);
 D_flip_flop_AR M1 (G1, D_G1, clock, reset_b);
endmodule

// datapath unit

module Datapath_STR
(output [3:0] A,
 output E, F,
 input clr_A_F, set_E, clr_E, set_F, incr_A, clock
);

 JK_flip_flop_2 M0 (E, E_b, set_E, clr_E, clock);
 JK_flip_flop_2 M1 (F, F_b, set_F, clr_A_F, clock);
 Counter_4 M2 (A, incr_A, clr_A_F, clock);

endmodule

module Counter_4 (output reg [3:0] A, input incr, clear, clock);
 always @ (posedge clock)
 if (clear) A <= 0; else if (incr) A <= A + 1;
endmodule

module D_flip_flop_AR (Q, D, CLK, RST);
 output Q;
 input D, CLK, RST;
 reg Q;
```

```

always @ (posedge CLK, negedge RST)
 if (RST == 0) Q <= 1'b0;
 else Q <= D;
endmodule

module JK_flip_flop_2 (Q, Q_not, J, K, CLK);
output Q, Q_not;
input J, K, CLK;
reg Q;

assign Q_not = ~Q
;
always @ (posedge CLK)
 case ({J, K})
 2'b00: Q <= Q;
 2'b01: Q <= 1'b0;
 2'b10: Q <= 1'b1;
 2'b11: Q <= ~Q;
 endcase
endmodule

module t_Design_Example_STR;
reg Start, clock, reset_b;
wire [3: 0] A;
wire E, F;
wire [1:0] state_STR = {M0.M0.G1, M0.M0.G0};

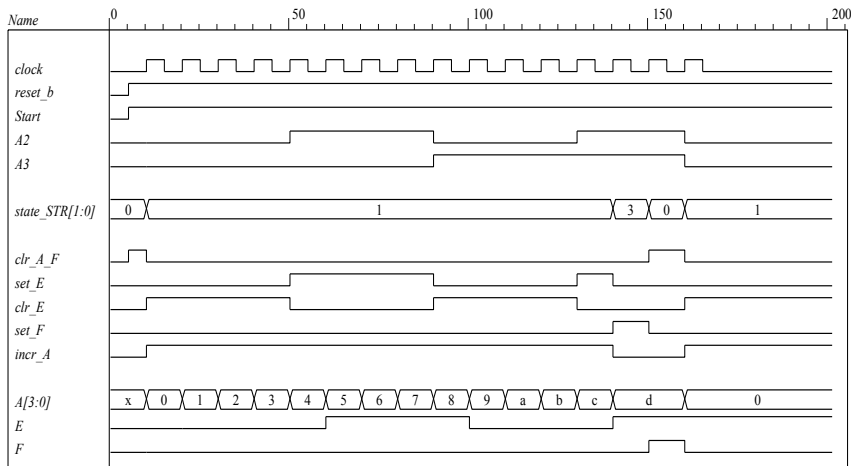
Design_Example_STR M0 (A, E, F, Start, clock, reset_b);

initial #500 $finish;
initial
 begin
 reset_b = 0;
 Start = 0;
 clock = 0;
 #5 reset_b = 1; Start = 1;
 repeat (32)
 begin
 #5 clock = ~ clock;
 end
 end
 initial
 $monitor ("A = %b E = %b F = %b time = %0d", A, E, F, $time);
endmodule

```

The simulation results shown below match Fig. 8.13.





**8.14** The state code 2'b10 is unused. If the machine enters an unused state, the controller is written with default assignment to *next\_state*. The default assignment forces the state to *S\_idle*, so the machine recovers from the condition.

**8.15** Modify the test bench to insert a reset event and extend the clock.

// RTL description of design example (see Fig.8-11)

```
module Design_Example_RTL (A, E, F, Start, clock, reset_b);
```

```
// Specify ports of the top-level module of the design
// See block diagram Fig. 8-10
```

```
output [3: 0] A;
output E, F;
input Start, clock, reset_b;
```

```
// Instantiate controller and datapath units
```

```
Controller_RTL M0 (set_E, clr_E, set_F, clr_A_F, incr_A, A[2], A[3], Start, clock, reset_b);
Datapath_RTL M1 (A, E, F, set_E, clr_E, set_F, clr_A_F, incr_A, clock);
```

```
endmodule
```

```
module Controller_RTL (set_E, clr_E, set_F, clr_A_F, incr_A, A2, A3, Start, clock, reset_b);
```

```
output reg set_E, clr_E, set_F, clr_A_F, incr_A;
input Start, A2, A3, clock, reset_b;
reg [1:0] state, next_state;
parameter S_idle = 2'b00, S_1 = 2'b01, S_2 = 2'b11; // State codes
```

```
always @ (posedge clock or negedge reset_b) // State transitions (edge-sensitive)
if (reset_b == 0) state <= S_idle;
else state <= next_state;
```

```
// Code next state logic directly from ASMD chart (Fig. 8-9d)
```

```
always @ (state, Start, A2, A3) begin // Next state logic (level-sensitive)
next_state = S_idle;
case (state)
```

```

 S_idle: if (Start) next_state = S_1; else next_state = S_idle;
 S_1: if (A2 & A3) next_state = S_2; else next_state = S_1;
 S_2: next_state = S_idle;
 default: next_state = S_idle;
endcase
end

```

// Code output logic directly from ASMD chart (Fig. 8-9d)

```

always @ (state, Start, A2) begin
 set_E = 0; // default assignments; assign by exception
 clr_E = 0;
 set_F = 0;
 clr_A_F = 0;
 incr_A = 0;
 case (state)
 S_idle: if (Start) clr_A_F = 1;
 S_1: begin incr_A = 1; if (A2) set_E = 1; else clr_E = 1; end
 S_2: set_F = 1;
 endcase
end
endmodule

```

```

module Datapath_RTL (A, E, F, set_E, clr_E, set_F, clr_A_F, incr_A, clock);
 output reg [3:0] A; // register for counter
 output reg E, F; // flags
 input set_E, clr_E, set_F, clr_A_F, incr_A, clock;

```

// Code register transfer operations directly from ASMD chart (Fig. 8-9d)

```

always @ (posedge clock) begin
 if (set_E) E <= 1;
 if (clr_E) E <= 0;
 if (set_F) F <= 1;
 if (clr_A_F) begin A <= 0; F <= 0; end
 if (incr_A) A <= A + 1;
end
endmodule

```

```

module t_Design_Example_RTL;
 reg Start, clock, reset_b;
 wire [3:0] A;
 wire E, F;

```

// Instantiate design example

```

Design_Example_RTL M0 (A, E, F, Start, clock, reset_b);

```

// Describe stimulus waveforms

```

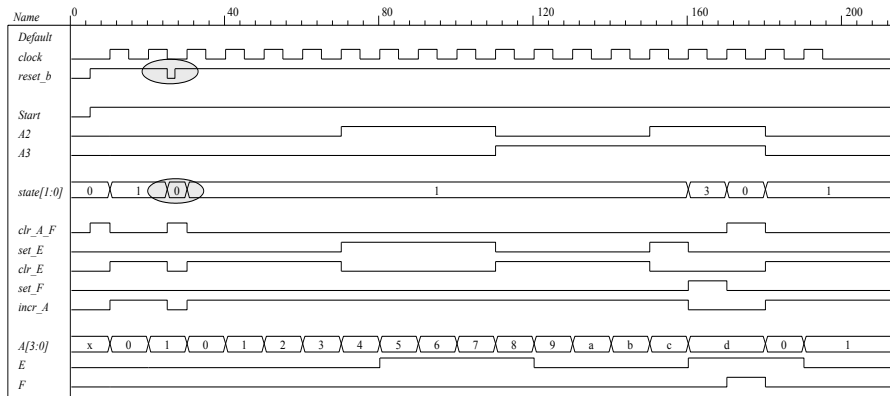
initial #500 $finish; // Stopwatch
initial fork
 #25 reset_b = 0; // Test for recovery from reset on-the-fly.
 #27 reset_b = 1;
join
initial
 begin
 reset_b = 0;
 Start = 0;
 clock = 0;
 #5 reset_b = 1; Start = 1;
 //repeat (32)

```

```

repeat (38) // Modify for test of reset_b on-the-fly
begin
 #5 clock = ~ clock; // Clock generator
end
end
initial
$monitor ("A = %b E = %b F = %b time = %0d", A, E, F, $time);
endmodule

```



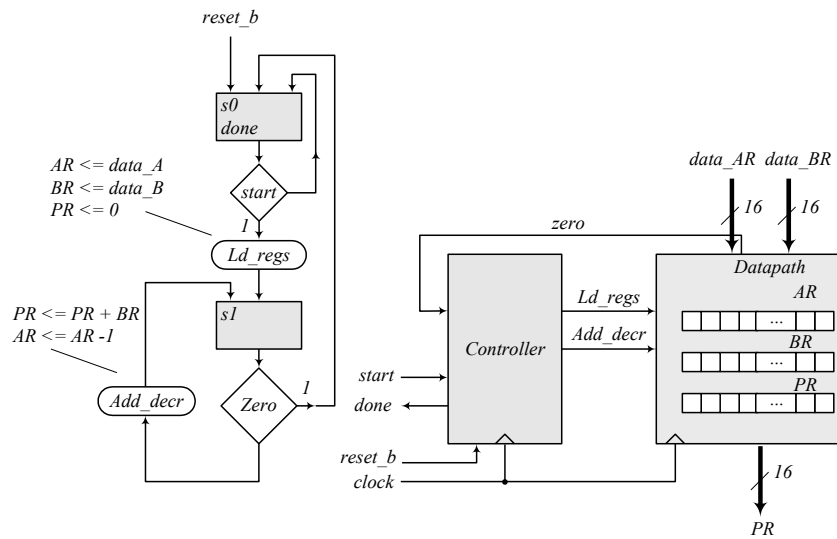
## 8.16

RTL notation:

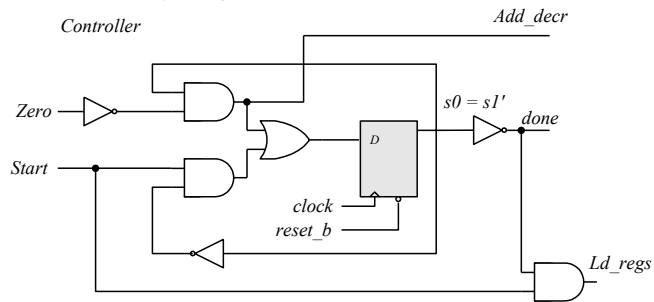
*s0*: (initial state) If *start* = 0 go back to state *s0*, If (*start* = 1) then  $BR \leftarrow multiplicand$ ,  $AR \leftarrow multiplier$ ,  $PR \leftarrow 0$ , go to *s1*.

*s1*: (check *AR* for Zero)  $Zero = 1$  if  $AR = 0$ , if ( $Zero = 1$ ) then go back to *s0* (*done*) If ( $Zero = 0$ ) then go to *s1*,  $PR \leftarrow PR + BR$ ,  $AR \leftarrow AR - 1$ .

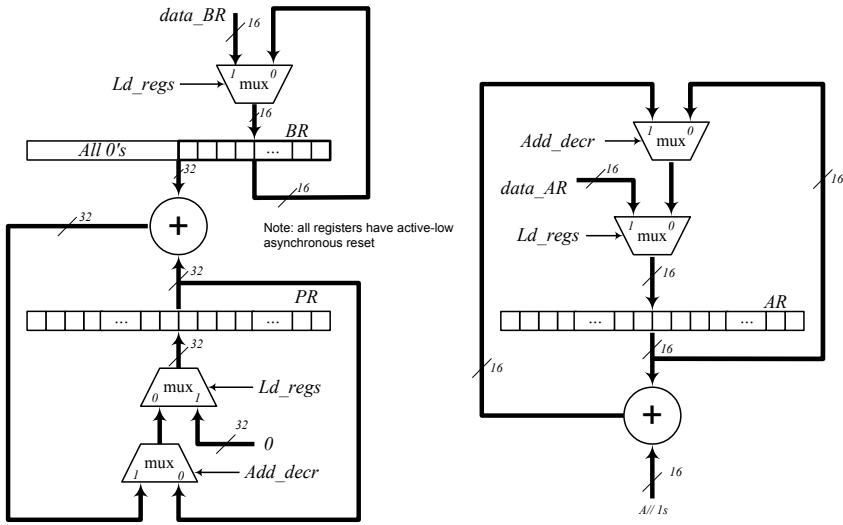
The internal architecture of the datapath consists of a double-width register to hold the product (*PR*), a register to hold the multiplier (*AR*), a register to hold the multiplicand (*BR*), a double-width parallel adder, and single-width parallel adder. The single-width adder is used to implement the operation of decrementing the multiplier unit. Adding a word consisting entirely of 1s to the multiplier accomplishes the 2's complement subtraction of 1 from the multiplier. Figure 8.16 (a) below shows the ASMD chart, block diagram, and controller of the circuit. Figure 8.16 (b) shows the internal architecture of the datapath. Figure 8.16 (c) shows the results of simulating the circuit.



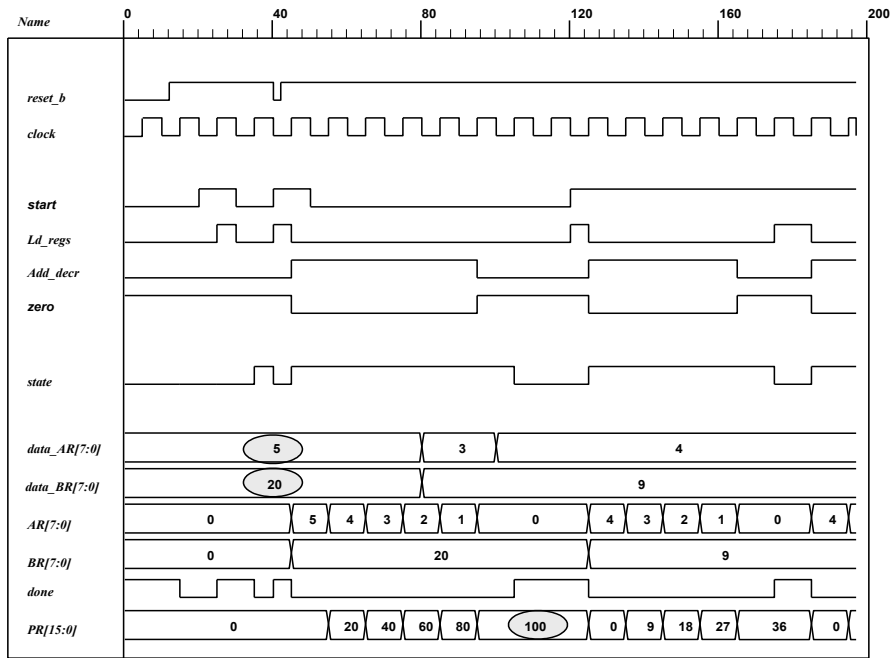
Note: Form Zero as the output of an OR gate whose inputs are the bits of the register AR.



(a) ASMD chart, block diagram, and controller



(b) Datapath



(c) Simulation results

```

module Prob_8_16_STR (
output [15: 0] PR, output done,
input [7: 0] data_AR, data_BR, input start, clock, reset_b
);

Controller_P8_16 M0 (done, Ld_regs, Add_decr, start, zero, clock, reset_b);

Datapath_P8_16 M1 (PR, zero, data_AR, data_BR, Ld_regs, Add_decr, clock, reset_b);
endmodule

module Controller_P8_16 (output done, output reg Ld_regs, Add_decr, input start, zero, clock, reset_b);
parameter s0 = 1'b0, s1 = 1'b1;
reg state, next_state;
assign done = (state == s0);

always @ (posedge clock, negedge reset_b)
if (!reset_b) state <= s0; else state <= next_state;

always @ (state, start, zero) begin
Ld_regs = 0;
Add_decr = 0;
case (state)
s0: if (start) begin Ld_regs = 1; next_state = s1; end
s1: if (zero) next_state = s0; else begin next_state = s1; Add_decr = 1; end
default: next_state = s0;
endcase
end
endmodule

module Register_32 (output [31: 0] data_out, input [31: 0] data_in, input clock, reset_b);
Register_8 M3 (data_out [31: 24] , data_in [31: 24], clock, reset_b);
Register_8 M2 (data_out [23: 16] , data_in [23: 16], clock, reset_b);
Register_8 M1 (data_out [15: 8] , data_in [15: 8], clock, reset_b);
Register_8 M0 (data_out [7: 0] , data_in [7: 0], clock, reset_b);
endmodule

module Register_16 (output [15: 0] data_out, input [15: 0] data_in, input clock, reset_b);
Register_8 M1 (data_out [15: 8] , data_in [15: 8], clock, reset_b);
Register_8 M0 (data_out [7: 0] , data_in [7: 0], clock, reset_b);
endmodule

module Register_8 (output [7: 0] data_out, input [7: 0] data_in, input clock, reset_b);
D_flop M7 (data_out[7] data_in[7], clock, reset_b);
D_flop M6 (data_out[6] data_in[6], clock, reset_b);
D_flop M5 (data_out[5] data_in[5], clock, reset_b);
D_flop M4 (data_out[4] data_in[4], clock, reset_b);
D_flop M3 (data_out[3] data_in[3], clock, reset_b);
D_flop M2 (data_out[2] data_in[2], clock, reset_b);
D_flop M1 (data_out[1] data_in[1], clock, reset_b);
D_flop M0 (data_out[0] data_in[0], clock, reset_b);
endmodule

module Adder_32 (output c_out, output [31: 0] sum, input [31: 0] a, b);
assign {c_out, sum} = a + b;
endmodule

module Adder_16 (output c_out, output [15: 0] sum, input [15: 0] a, b);
assign {c_out, sum} = a + b;
endmodule

```

```

module D_flop (output q, input data, clock, reset_b);
always @ (posedge clock, negedge reset_b)
if (!reset_b) q <= 0; else q <= data;
endmodule

module Datapath_P8_16 (
output reg [15: 0] PR, output zero,
input [7: 0] data_AR, data_BR, input Ld_regs, Add_decr, clock, reset_b
);

reg [7: 0] AR, BR;
assign zero = ~(| AR);

always @ (posedge clock, negedge reset_b)
if (!reset_b) begin AR <= 8'b0; BR <= 8'b0; PR <= 16'b0; end
else begin
if (Ld_regs) begin AR <= data_AR; BR <= data_BR; PR <= 0; end
else if (Add_decr) begin PR <= PR + BR; AR <= AR -1; end
end
endmodule

// Test plan – Verify;
// Power-up reset
// Data is loaded correctly
// Control signals assert correctly
// Status signals assert correctly
// start is ignored while multiplying
// Multiplication is correct
// Recovery from reset on-the-fly

module t_Prob_P8_16;
wire done;
wire [15: 0] PR;
reg [7: 0] data_AR, data_BR;
reg start, clock, reset_b;

Prob_8_16_STR M0 (PR, done, data_AR, data_BR, start, clock, reset_b);

initial #500 $finish;
initial begin clock = 0; forever #5 clock = ~clock; end
initial fork
reset_b = 0;
#12 reset_b = 1;
#40 reset_b = 0;
#42 reset_b = 1;
#90 reset_b = 1;
#92 reset_b = 1;
join

initial fork
#20 start = 1;
#30 start = 0;
#40 start = 1;
#50 start = 0;
#120 start = 1;
#120 start = 0;
join

```

```

initial fork
data_AR = 8'd5; // AR > 0
data_BR = 8'd20;

#80 data_AR = 8'd3;
#80 data_BR = 8'd9;

#100 data_AR = 8'd4;
#100 data_BR = 8'd9;
join
endmodule

```

8.17  $(2^n - 1)(2^n - 1) < (2^{2n} - 1)$  for  $n \geq 1$

- 8.18 (a) The maximum product size is 32 bits available in registers  $A$  and  $Q$ .  
 (b)  $P$  counter must have 5 bits to load 16 (binary 10000) initially.  
 (c)  $Z$  (zero) detection is generated with a 5-input NOR gate.

8.19

**Multiplicand**  $B = 11011_2 = 27_{10}$

**Multiplier**  $Q = 10111_2 = 23_{10}$

**Product:**  $CAQ = 621_{10}$

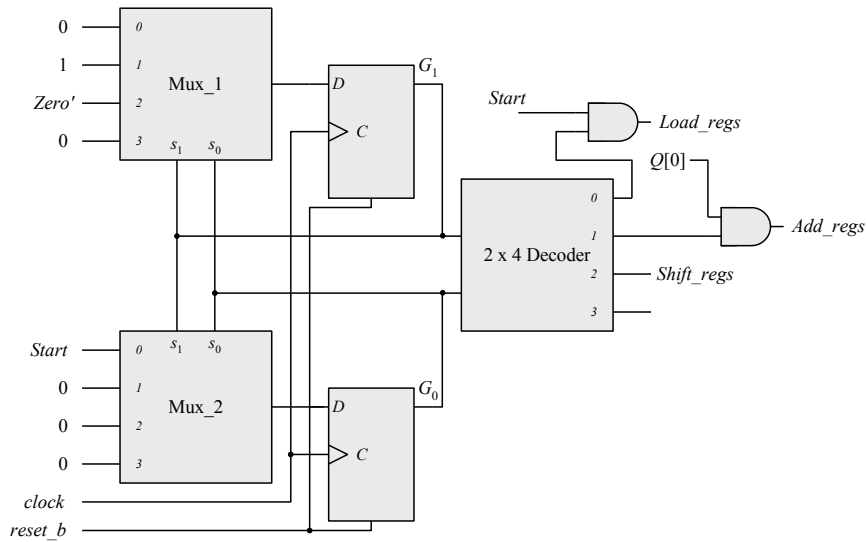
|                                | $C$ | $A$   | $Q$   | $P$ |
|--------------------------------|-----|-------|-------|-----|
| Multiplier in $Q$              | 0   | 00000 | 10111 | 101 |
| $Q0 = 1$ ; add $B$             |     | 11011 |       |     |
| First partial product          | 0   | 11011 | 10111 | 100 |
| Shift right $CAQ$              | 0   | 01101 | 11011 |     |
| $Q0 = 1$ ; add $B$             |     | 11011 |       |     |
| Second partial product         | 1   | 01000 | 11011 | 011 |
| Shift right $CAQ$              | 0   | 10100 | 01101 |     |
| $Q0 = 1$ ; add $B$             |     | 11011 |       |     |
| Third partial product          | 1   | 01111 | 01101 | 010 |
| Shift right $CAQ$              | 0   | 10111 | 10110 |     |
| Shift right $CAQ$              | 0   | 01011 | 11011 |     |
| Fourth partial product         | 0   | 01011 | 11011 | 001 |
| $Q0 = 1$ ; add $B$             |     | 11011 |       |     |
| Fifth partial product          | 1   | 00110 | 11011 | 000 |
| Shift right $CAQ$              | 0   | 10011 | 01101 |     |
| Final product in $AQ$ :        |     |       |       |     |
| $AQ = 10011\ 01101 = 621_{10}$ |     |       |       |     |

- 8.20  $S\_idle = 1t$  ns  
 The loop between  $S\_add$  and  $S\_shift$  takes  $2nt$  ns)  
 Total time to multiply:  $(2n + 1)t$

8.21



| State codes: | $G_1$ | $G_0$ |
|--------------|-------|-------|
| $S_{idle}$   | 0     | 0     |
| $S_{add}$    | 0     | 1     |
| $S_{shift1}$ | 0     | 0     |
| unused       | 0     | 0     |



- 8.22** Note that the machine described by Fig. P8.22 requires four states, but the machine described by Fig. 8.15 (b) requires only three. Also, observe that the sample simulation results show a case where the carry bit register,  $C$ , is needed to support the addition operation. The datapath is 8 bits wide.

```

module Prob_8_22 # (parameter m_size = 9)
(
 output [2*m_size -1: 0] Product,
 output Ready,
 input [m_size -1: 0] Multiplicand, Multiplier,
 input Start, clock, reset_b
);
 wire [m_size -1: 0] A, Q;

 assign Product = {A, Q};
 wire Q0, Zero, Load_regs, Decr_P, Add_regs, Shift_regs;

 Datapath_Unit M0 (A, Q, Q0, Zero, Multiplicand, Multiplier, Load_regs, Decr_P, Add_regs, Shift_regs,
 clock, reset_b);
 Control_Unit M1 (Ready, Decr_P, Load_regs, Add_regs, Shift_regs, Start, Q0, Zero, clock, reset_b);
endmodule

```

```

module Datapath_Unit # (parameter m_size = 9, BC_size = 4)
(
 output reg [m_size -1: 0] A, Q,
 output Q0, Zero,
 input [m_size -1: 0] Multiplicand, Multiplier,
 input Load_regs, Decr_P, Add_regs, Shift_regs, clock, reset_b
);
 reg C;
 reg [BC_size -1: 0] P;
 reg [m_size -1: 0] B;

 assign Q0 = Q[0];
 assign Zero = (P == 0);

 always @ (posedge clock, negedge reset_b)
 if (reset_b == 0) begin
 B <= 0; C <= 0;
 A <= 0;
 Q <= 0;
 P <= m_size;
 end
 else begin
 if (Load_regs) begin
 A <= 0;
 C <= 0;
 Q <= Multiplier;
 B <= Multiplicand;
 P <= m_size;
 end
 if (Decr_P) P <= P -1;
 if (Add_regs) {C, A} <= A + B;
 if (Shift_regs) {C, A, Q} <= {C, A, Q} >> 1;
 end
endmodule

module Control_Unit (
 output Ready, Decr_P, output reg Load_regs, Add_regs, Shift_regs, input Start, Q0, Zero, clock,
 reset_b
);
 reg [1: 0] state, next_state;
 parameter S_idle = 2'b00, S_loaded = 2'b01, S_sum = 2'b10, S_shifted = 2'b11;
 assign Ready = (state == S_idle);
 assign Decr_P = (state == S_loaded);

 always @ (posedge clock, negedge reset_b)
 if (reset_b == 0) state <= S_idle; else state <= next_state;

 always @ (state, Start, Q0, Zero) begin
 next_state = S_idle;
 Load_regs = 0;
 Add_regs = 0;
 Shift_regs = 0;
 case (state)
 S_idle: if (Start == 0) next_state = S_idle; else begin next_state = S_loaded; Load_regs = 1; end
 S_loaded: if (Q0) begin next_state = S_sum; Add_regs = 1; end
 else begin next_state = S_shifted; Shift_regs = 1; end
 S_sum: begin next_state = S_shifted; Shift_regs = 1; end
 S_shifted: if (Zero) next_state = S_idle; else next_state = S_loaded;
 endcase
 end
endmodule

```

```

module t_Prob_8_22 ();
 parameter m_size = 9; // Width of datapath
 wire [2 * m_size - 1: 0] Product;
 wire Ready;
 reg [m_size - 1: 0] Multiplicand, Multiplier;
 reg Start, clock, reset_b;
 integer Exp_Value;
 reg Error;

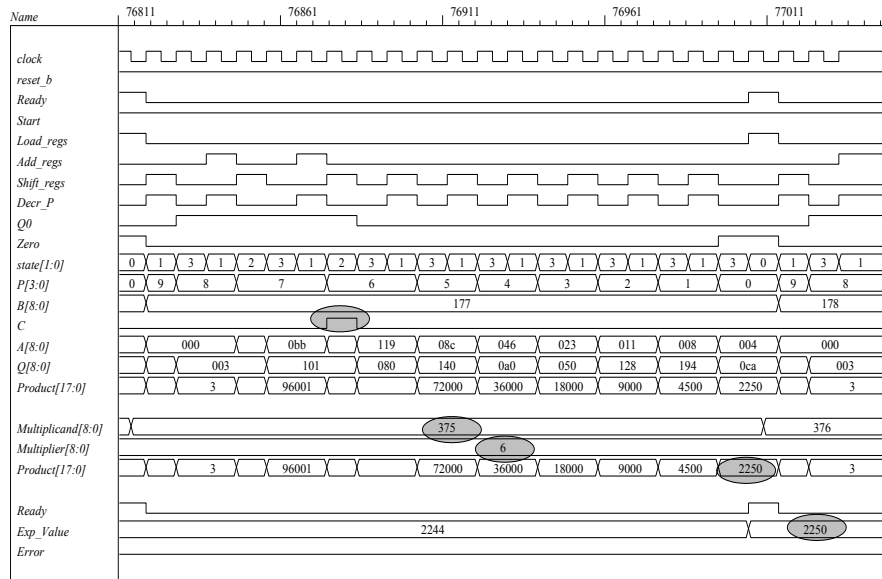
 Prob_8_22 M0 (Product, Ready, Multiplicand, Multiplier, Start, clock, reset_b);

 initial #140000 $finish;
 initial begin clock = 0; #5 forever #5 clock = ~clock; end
 initial fork
 reset_b = 1;

 #2 reset_b = 0;
 #3 reset_b = 1;
 join
 initial begin #5 Start = 1; end
 always @ (posedge Ready) begin
 Exp_Value = Multiplier * Multiplicand;
 //Exp_Value = Multiplier * Multiplicand +1; // Inject error to confirm detection
 end
 always @ (negedge Ready) begin
 Error = (Exp_Value ^ Product);
 end

 initial begin
 #5 Multiplicand = 0;
 Multiplier = 0;
 repeat (64) #10 begin Multiplier = Multiplier + 1;
 repeat (64) @ (posedge M0.Ready) #5 Multiplicand = Multiplicand + 1;
 end
 end
endmodule

```



**8.23** As shown in Fig. P8.23 the machine asserts *Load\_regs* in state *S\_load*. This will cause the machine to operate incorrectly. Once *Load\_regs* is removed from *S\_load* the machine operates correctly. The state *S\_load* is a wasted state. Its removal leads to the same machine as shown in Fig. P8.15b.

```

module Prob_8_23 # (parameter m_size = 9)
(
 output [2*m_size -1: 0] Product,
 output Ready,
 input [m_size -1: 0] Multiplicand, Multiplier,
 input Start, clock, reset_b
);
 wire [m_size -1: 0] A, Q;

 assign Product = {A, Q};
 wire Q0, Zero, Load_regs, Decr_P, Add_regs, Shift_regs;

 Datapath_Unit M0 (A, Q, Q0, Zero, Multiplicand, Multiplier, Load_regs, Decr_P, Add_regs, Shift_regs,
 clock, reset_b);
 Control_Unit M1 (Ready, Decr_P, Shift_regs, Add_regs, Load_regs, Start, Q0, Zero, clock, reset_b);
endmodule

module Datapath_Unit # (parameter m_size = 9, BC_size = 4)
(
 output reg [m_size -1: 0] A, Q,
 output Q0, Zero,
 input [m_size -1: 0] Multiplicand, Multiplier,
 input Load_regs, Decr_P, Add_regs, Shift_regs, clock, reset_b
);
 reg C;
 reg [BC_size -1: 0] P;
 reg [m_size -1: 0] B;

 assign Q0 = Q[0];

```

```

assign Zero = (P == 0);

always @ (posedge clock, negedge reset_b)
if (reset_b == 0) begin
 A <= 0;
 C <= 0;
 Q <= 0;
 B <= 0;
 P <= m_size;
end
else begin
 if (Load_regs) begin
 A <= 0;
 C <= 0;
 Q <= Multiplier;
 B <= Multiplicand;
 P <= m_size;
 end
 if (Decr_P) P <= P - 1;
 if (Add_regs) {C, A} <= A + B;
 if (Shift_regs) {C, A, Q} <= {C, A, Q} >> 1;
end
endmodule

module Control_Unit (
 output Ready, Decr_P, Shift_regs, output reg Add_regs, Load_regs, input Start, Q0, Zero, clock,
 reset_b
);
 reg [1: 0] state, next_state;
 parameter S_idle = 2'b00, S_load = 2'b01, S_decr = 2'b10, S_shift = 2'b11;

 assign Ready = (state == S_idle);
 assign Shift_regs = (state == S_shift);
 assign Decr_P = (state == S_decr);

 always @ (posedge clock, negedge reset_b)
 if (reset_b == 0) state <= S_idle; else state <= next_state;

 always @ (state, Start, Q0, Zero) begin
 next_state = S_idle;
 Load_regs = 0;
 Add_regs = 0;
 case (state)
 S_idle: if (Start == 0) next_state = S_idle; else begin next_state = S_load; Load_regs = 1; end
 S_load: begin next_state = S_decr; end
 S_decr: begin next_state = S_shift; if (Q0) Add_regs = 1; end
 S_shift: if (Zero) next_state = S_idle; else next_state = S_load;
 endcase
end
endmodule

module t_Prob_8_23 ();
 parameter m_size = 9; // Width of datapath
 wire [2 * m_size - 1: 0] Product;
 wire Ready;
 reg [m_size - 1: 0] Multiplicand, Multiplier;
 reg Start, clock, reset_b;
 integer Exp_Value;
 reg Error;

 Prob_8_23 M0 (Product, Ready, Multiplicand, Multiplier, Start, clock, reset_b);

```

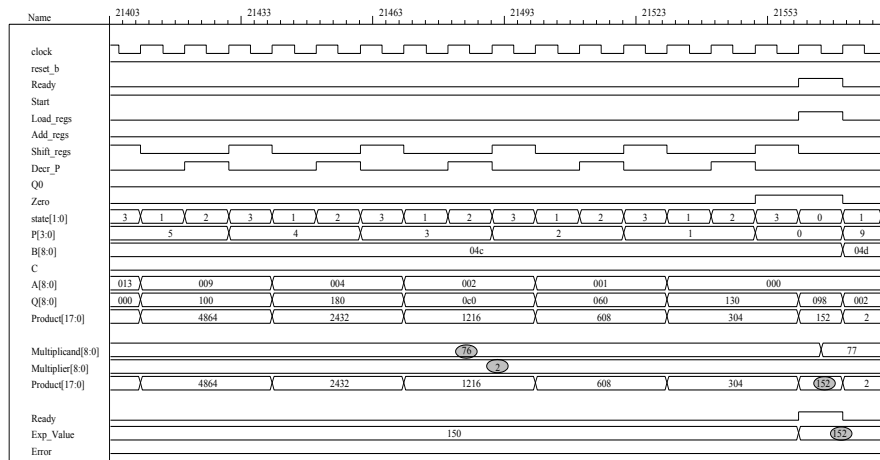
```

initial #140000 $finish;
initial begin clock = 0; #5 forever #5 clock = ~clock; end
initial fork
 reset_b = 1;

 #2 reset_b = 0;
 #3 reset_b = 1;
join
initial begin #5 Start = 1; end
always @ (posedge Ready) begin
 Exp_Value = Multiplier * Multiplicand;
 //Exp_Value = Multiplier * Multiplicand + 1; // Inject error to confirm detection
end
always @ (negedge Ready) begin
 Error = (Exp_Value ^ Product);
end

initial begin
 #5 Multiplicand = 0;
 Multiplier = 0;
 repeat (64) #10 begin Multiplier = Multiplier + 1;
 repeat (64) @ (posedge M0.Ready) #5 Multiplicand = Multiplicand + 1;
end
end
endmodule

```



## 8.24

```

module Prob_8_24 # (parameter dp_width = 5)
(
 output [2*dp_width - 1: 0] Product,
 output Ready,
 input [dp_width - 1: 0] Multiplicand, Multiplier,
 input Start, clock, reset_b
);
wire Load_regs, Decr_P, Add_regs, Shift_regs, Zero, Q0;

Controller M0 (
 Ready, Load_regs, Decr_P, Add_regs, Shift_regs, Start, Zero, Q0,
 clock, reset_b
);

Datapath M1(Product, Q0, Zero, Multiplicand, Multiplier,
 Start, Load_regs, Decr_P, Add_regs, Shift_regs, clock, reset_b);
endmodule

module Controller (
 output Ready,
 output reg Load_regs, Decr_P, Add_regs, Shift_regs,
 input Start, Zero, Q0, clock, reset_b
);

parameter S_idle = 3'b001, // one-hot code
 S_add = 3'b010,
 S_shift = 3'b100;

reg [2: 0] state, next_state; // sized for one-hot
assign Ready = (state == S_idle);

always @ (posedge clock, negedge reset_b)
 if (~reset_b) state <= S_idle; else state <= next_state;

always @ (state, Start, Q0, Zero) begin
 next_state = S_idle;
 Load_regs = 0;
 Decr_P = 0;
 Add_regs = 0;
 Shift_regs = 0;
 case (state)
 S_idle: if (Start) begin next_state = S_add; Load_regs = 1; end
 S_add: begin next_state = S_shift; Decr_P = 1; if (Q0) Add_regs = 1; end
 S_shift: begin
 Shift_regs = 1;
 if (Zero) next_state = S_idle;
 else next_state = S_add;
 end
 default: next_state = S_idle;
 endcase
end
endmodule

```

```

module Datapath #(parameter dp_width = 5, BC_size = 3) (
output [2*dp_width - 1: 0] Product, output Q0, output Zero,
input [dp_width - 1: 0] Multiplicand, Multiplier,
input Start, Load_regs, Decr_P, Add_regs, Shift_regs, clock, reset_b
);
// Default configuration: 5-bit datapath
reg [dp_width - 1: 0] A, B, Q; // Sized for datapath
reg C;
reg [BC_size - 1: 0] P; // Bit counter

assign Q0 = Q[0];
assign Zero = (P == 0); // Counter is zero
assign Product = {C, A, Q};
always @ (posedge clock, negedge reset_b)
if (reset_b == 0) begin // Added to this solution, but
 P <= dp_width; // not really necessary since Load_regs
 B <= 0; // initializes the datapath
 C <= 0;
 A <= 0;
 Q <= 0;
end
else begin
if (Load_regs) begin
 P <= dp_width;
 A <= 0;
 C <= 0;
 B <= Multiplicand;
 Q <= Multiplier;
end
if (Add_regs) {C, A} <= A + B;
if (Shift_regs) {C, A, Q} <= {C, A, Q} >> 1;
if (Decr_P) P <= P - 1;
end
endmodule

module t_Prob_8_24;
parameter dp_width = 5; // Width of datapath
wire [2 * dp_width - 1: 0] Product;
wire Ready;
reg [dp_width - 1: 0] Multiplicand, Multiplier;
reg Start, clock, reset_b;
integer Exp_Value;
reg Error;

Prob_8_24 M0(Product, Ready, Multiplicand, Multiplier, Start, clock, reset_b);

initial #115000 $finish;
initial begin clock = 0; #5 forever #5 clock = ~clock; end
initial fork
 reset_b = 1;
 #2 reset_b = 0;
 #3 reset_b = 1;
join
always @ (negedge Start) begin
 Exp_Value = Multiplier * Multiplicand;
 //Exp_Value = Multiplier * Multiplicand + 1; // Inject error to confirm detection
end
always @ (posedge Ready) begin
 # 1 Error <= (Exp_Value ^ Product) ;
end

initial begin

```

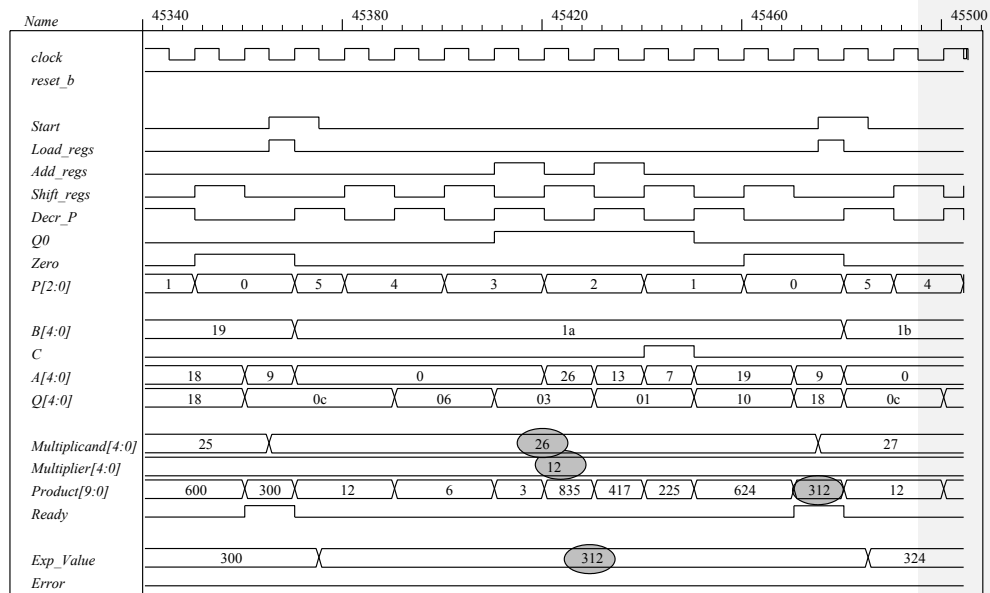


```

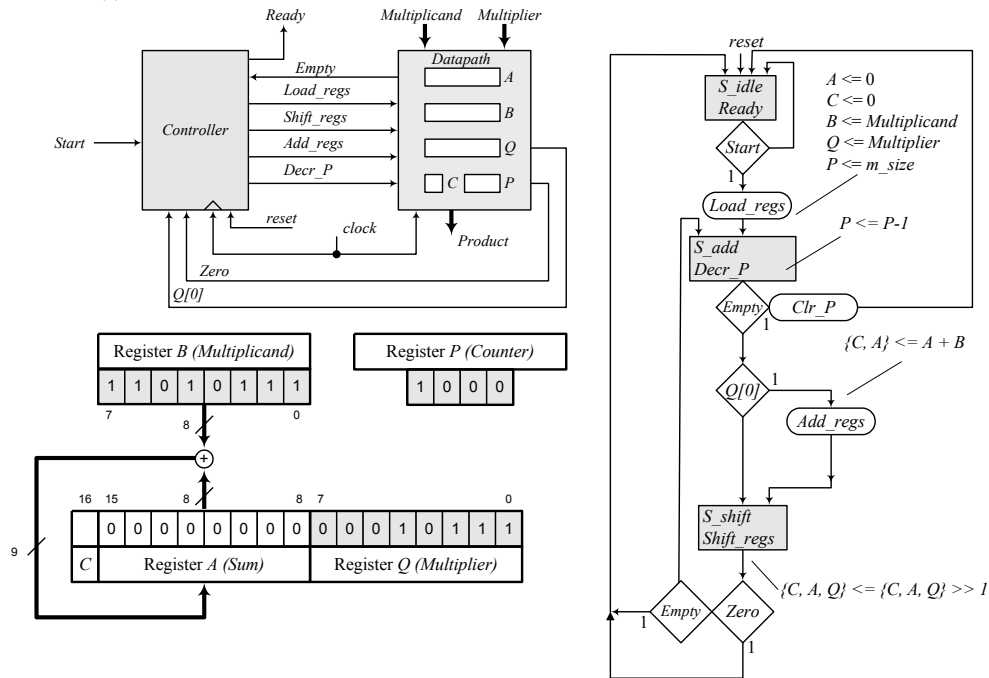
#5 Multiplicand = 0;
Multiplier = 0;

repeat (32) #10 begin
 Start = 1;
 #10 Start = 0;
 repeat (32) begin
 Start = 1;
 #10 Start = 0;
 #100 Multiplicand = Multiplicand + 1;
 end
 Multiplier = Multiplier + 1;
end
end
endmodule

```



## 8.25 (a)



## (b)

// The multiplier of Fig. 8.15 is modified to detect whether the multiplier or multiplicand are initially zero,  
 // and to detect whether the multiplier becomes zero before the entire multiplier has been applied  
 // to the multiplicand. Signal empty is generated by the datapath unit and used by the  
 // controller. Note that the bits of the product must be selected according to the stage at which  
 // termination occurs. The test for the condition of an empty multiplier is hardwired here for  
 // dp\_width = 5 because the range bounds of a vector must be defined by integer constants.  
 // This prevents development of a fully parameterized model.  
 // Note: the test bench has been modified.

```

module Prob_8_25 #(parameter dp_width = 5)
(
 output [2*dp_width - 1: 0] Product,
 output Ready,
 input [dp_width - 1: 0] Multiplicand, Multiplier,
 input Start, clock, reset_b
);
 wire Load_regs, Decr_P, Add_regs, Shift_regs, Empty, Zero, Q0;
 Controller M0 (
 Ready, Load_regs, Decr_P, Add_regs, Shift_regs, Start, Empty, Zero, Q0,
 clock, reset_b
);

 Datapath M1(Product, Q0, Empty, Zero, Multiplicand, Multiplier,
 Start, Load_regs, Decr_P, Add_regs, Shift_regs, clock, reset_b);

endmodule

```

```

module Controller (
 output Ready,
 output reg Load_regs, Decr_P, Add_regs, Shift_regs,
 input Start, Empty, Zero, Q0, clock, reset_b
);

 parameter BC_size = 3; // Size of bit counter
 parameter S_idle = 3'b001, // one-hot code
 S_add = 3'b010,
 S_shift = 3'b100;

 reg [2: 0] state, next_state; // sized for one-hot
 assign Ready = (state == S_idle);

 always @ (posedge clock, negedge reset_b)
 if (~reset_b) state <= S_idle; else state <= next_state;

 always @ (state, Start, Q0, Empty, Zero) begin
 next_state = S_idle;
 Load_regs = 0;
 Decr_P = 0;
 Add_regs = 0;
 Shift_regs = 0;
 case (state)
 S_idle: if (Start) begin next_state = S_add; Load_regs = 1; end
 S_add: begin next_state = S_shift; Decr_P = 1; if (Q0) Add_regs = 1; end
 S_shift: begin
 Shift_regs = 1;
 if (Zero) next_state = S_idle;
 else if (Empty) next_state = S_idle;
 else next_state = S_add;
 end
 default: next_state = S_idle;
 endcase
 end
endmodule

module Datapath #(parameter dp_width = 5, BC_size = 3) (
 output reg [2*dp_width - 1: 0] Product, output Q0, output Empty, output Zero,
 input [dp_width - 1: 0] Multiplicand, Multiplier,
 input Start, Load_regs, Decr_P, Add_regs, Shift_regs, clock, reset_b
);
// Default configuration: 5-bit datapath
 parameter S_idle = 3'b001, // one-hot code
 S_add = 3'b010,
 S_shift = 3'b100;
 reg [dp_width - 1: 0] A, B, Q; // Sized for datapath
 reg C;
 reg [BC_size - 1: 0] P; // Bit counter
 wire [2*dp_width - 1: 0] Internal_Product = {C, A, Q};

 assign Q0 = Q[0];
 assign Zero = (P == 0); // Bit counter is zero

 always @ (posedge clock, negedge reset_b)
 if (reset_b == 0) begin // Added to this solution, but
 P <= dp_width; // not really necessary since Load_regs
 B <= 0; // initializes the datapath
 C <= 0;
 A <= 0;
 Q <= 0;
 end
 else begin

```

```

if (Load_regs) begin
 P <= dp_width;
 A <= 0;
 C <= 0;
 B <= Multiplicand;
 Q <= Multiplier;
end
if (Add_regs) {C, A} <= A + B;
if (Shift_regs) {C, A, Q} <= {C, A, Q} >> 1;
if (Decr_P) P <= P - 1;
end
// Status signals
reg Empty_multiplier;
wire Empty_multiplicand = (Multiplicand == 0);
assign Empty = Empty_multiplicand || Empty_multiplier;

always @ (P, Internal_Product) begin// Note: hardwired for dp_width 5
 Product = 0;
 case (P) // Examine multiplier bits
 0: Product = Internal_Product;
 1: Product = Internal_Product [2*dp_width -1: 1];
 2: Product = Internal_Product [2*dp_width -1: 2];
 3: Product = Internal_Product [2*dp_width -1: 3];
 4: Product = Internal_Product [2*dp_width -1: 4];
 5: Product = 0;
 endcase
end

always @ (P, Q) begin // Note: hardwired for dp_width 5
 Empty_multiplier = 0;
 case (P)
 0: Empty_multiplier = 1;
 1: if (Q[1] == 0) Empty_multiplier = 1;
 2: if (Q[2: 1] == 0) Empty_multiplier = 1;
 3: if (Q[3: 1] == 0) Empty_multiplier = 1;
 4: if (Q[4: 1] == 0) Empty_multiplier = 1;
 5: if (Q[5: 1] == 0) Empty_multiplier = 1;
 default: Empty_multiplier = 1'bx;
 endcase
end
endmodule

module t_Prob_8_25;
 parameter dp_width = 5; // Width of datapath
 wire [2 * dp_width - 1: 0] Product;
 wire Ready;
 reg [dp_width - 1: 0] Multiplicand, Multiplier;
 reg Start, clock, reset_b;
 integer Exp_Value;
 reg Error;

 Prob_8_25 M0(Product, Ready, Multiplicand, Multiplier, Start, clock, reset_b);

 initial #115000 $finish;
 initial begin clock = 0; #5 forever #5 clock = ~clock; end
 initial fork
 reset_b = 1;
 #2 reset_b = 0;
 #3 reset_b = 1;
 join
 always @ (negedge Start) begin
 Exp_Value = Multiplier * Multiplicand;

```

```

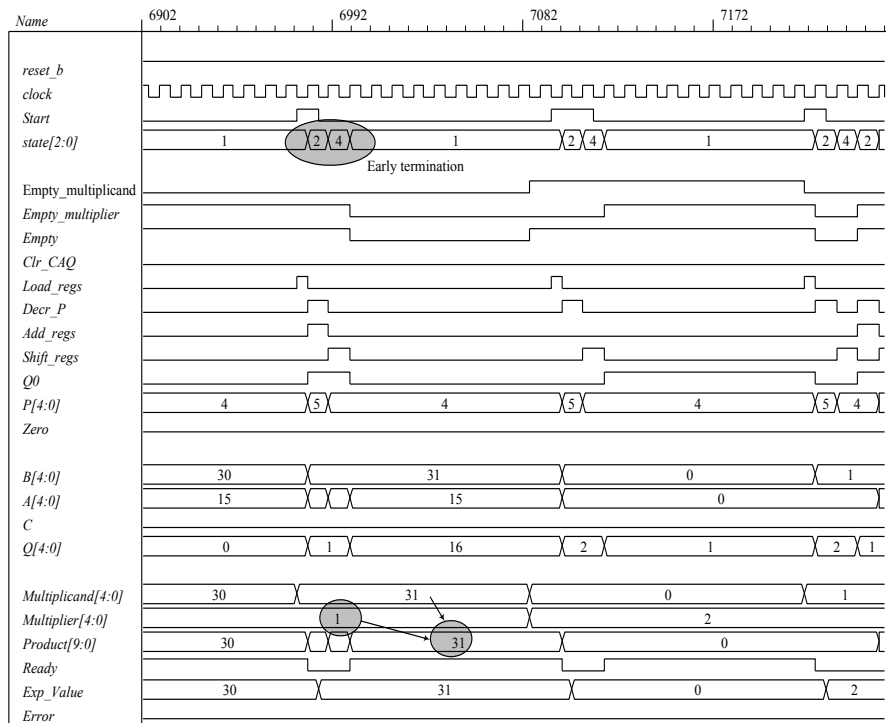
//Exp_Value = Multiplier * Multiplicand + 1; // Inject error to confirm detection
end
always @ (posedge Ready) begin
1 Error <= (Exp_Value ^ Product);
end

initial begin
#5 Multiplicand = 0;
Multiplier = 0;

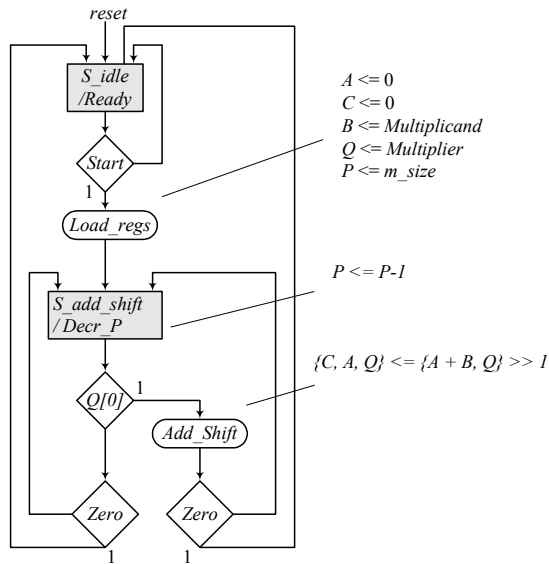
repeat (32) #10 begin
Start = 1;
#10 Start = 0;
repeat (32) begin
Start = 1;
#10 Start = 0;
#100 Multiplicand = Multiplicand + 1;
end
Multiplier = Multiplier + 1;
end
end
endmodule

```

(c) Test plan: Exhaustively test all combinations of multiplier and multiplicand, using automatic error checking. Verify that early termination is implemented. Sample of simulation results is shown below.



## 8.26



```

module Prob_8_26 (Product, Ready, Multiplicand, Multiplier, Start, clock, reset_b);
// Default configuration: 5-bit datapath
parameter dp_width = 5; // Set to width of datapath
output [2*dp_width - 1: 0] Product;
output Ready;
input [dp_width - 1: 0] Multiplicand, Multiplier;
input Start, clock, reset_b;
parameter BC_size = 3; // Size of bit counter
parameter S_idle = 2'b01, // one-hot code
S_add_shift = 2'b10;

reg [2: 0] state, next_state;
reg [dp_width - 1: 0] A, B, Q; // Sized for datapath
reg C;
reg [BC_size - 1: 0] P;
reg Load_regs, Decr_P, Add_shift, Shift;
assign Product = {C, A, Q};
wire Zero = (P == 0); // counter is zero
wire Ready = (state == S_idle); // controller status

```

```

// control unit
always @ (posedge clock, negedge reset_b)
if (~reset_b) state <= S_idle; else state <= next_state;

always @ (state, Start, Q[0], Zero) begin
next_state = S_idle;
Load_regs = 0;
Decr_P = 0;
Add_shift = 0;
Shift = 0;
case (state)
S_idle: begin if (Start) next_state = S_add_shift; Load_regs = 1; end
S_add_shift: begin
Decr_P = 1;
if (Zero) next_state = S_idle;

```

```

 else begin
 next_state = S_add_shift;
 if (Q[0]) Add_shift = 1; else Shift = 1;
 end
 end
 default:
 next_state = S_idle;
 endcase
end

// datapath unit
always @ (posedge clock) begin
 if (Load_regs) begin
 P <= dp_width;
 A <= 0;
 C <= 0;
 B <= Multiplicand;
 Q <= Multiplier;
 end
 if (Decr_P) P <= P - 1;
 if (Add_shift) {C, A, Q} <= {C, A+B, Q} >> 1;
 if (Shift) {C, A, Q} <= {C, A, Q} >> 1;
end
endmodule

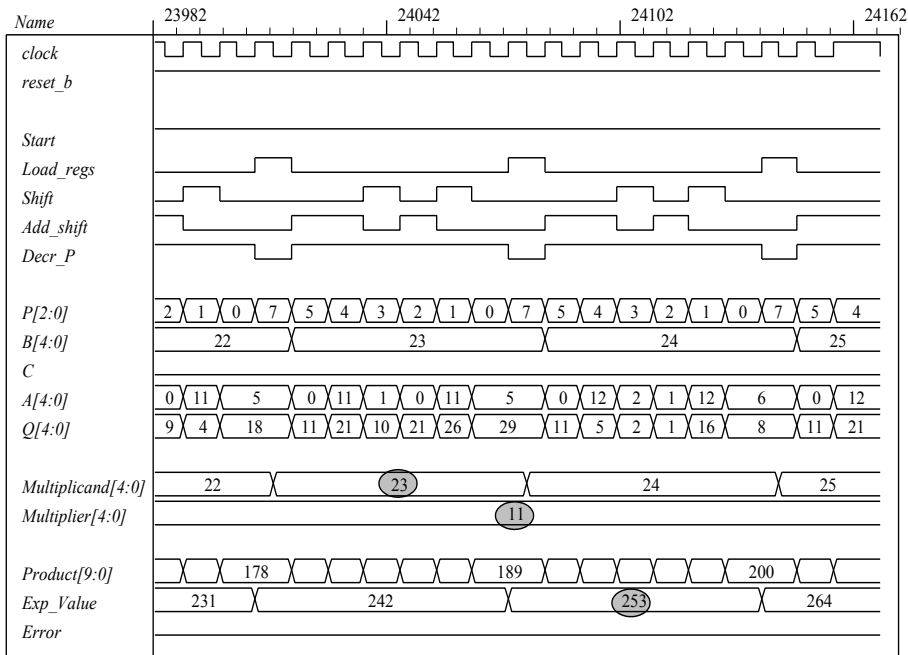
module t_Prob_8_26;
 parameter dp_width = 5; // Width of datapath
 wire [2 * dp_width - 1: 0] Product;
 wire Ready;
 reg [dp_width - 1: 0] Multiplicand, Multiplier;
 reg Start, clock, reset_b;
 integer Exp_Value;
 wire Error;

 Prob_8_26 M0 (Product, Ready, Multiplicand, Multiplier, Start, clock, reset_b);

 initial #70000 $finish;
 initial begin clock = 0; #5 forever #5 clock = ~clock; end
 initial fork
 reset_b = 1;
 #2 reset_b = 0;
 #3 reset_b = 1;
 join
 initial begin #5 Start = 1; end
 always @ (posedge Ready) begin
 Exp_Value = Multiplier * Multiplicand;
 end
 assign Error = Ready & (Exp_Value ^ Product);
 initial begin
 #5 Multiplicand = 0;
 Multiplier = 0;
 repeat (32) #10 begin Multiplier = Multiplier + 1;
 repeat (32) @ (posedge M0.Ready) #5 Multiplicand = Multiplicand + 1;
 end
 end
end
endmodule

```

Sample of simulation results.



8.27

```
(a)
// Test bench for exhaustive simulation
module t_Sequential_Binary_Multiplier;
 parameter dp_width = 5; // Width of datapath
 wire [2 * dp_width - 1: 0] Product;
 wire Ready;
 reg [dp_width - 1: 0] Multiplicand, Multiplier;
 reg Start, clock, reset_b;

 Sequential_Binary_Multiplier M0 (Product, Ready, Multiplicand, Multiplier, Start, clock, reset_b);

 initial #109200 $finish;
 initial begin clock = 0; #5 forever #5 clock = ~clock; end
 initial fork
 reset_b = 1;
 #2 reset_b = 0;
 #3 reset_b = 1;
 join
 initial begin #5 Start = 1; end
 initial begin
 #5 Multiplicand = 0;
 Multiplier = 0;
 repeat (31) #10 begin Multiplier = Multiplier + 1;
 repeat (32) @(posedge M0.Ready) #5 Multiplicand = Multiplicand + 1;
 end
 Start = 0;
 end
end

// Error Checker
```



```

reg Error;
reg [2*dp_width - 1: 0] Exp_Value;
always @ (posedge Ready) begin
 Exp_Value = Multiplier * Multiplicand;
 //Exp_Value = Multiplier * Multiplicand + 1; // Inject error to verify detection
 Error = (Exp_Value ^ Product);
end
endmodule

module Sequential_Binary_Multiplier (Product, Ready, Multiplicand, Multiplier, Start, clock, reset_b);
// Default configuration: 5-bit datapath
parameter dp_width = 5; // Set to width of datapath
output [2*dp_width - 1: 0] Product;
output Ready;
input [dp_width - 1: 0] Multiplicand, Multiplier;
input Start, clock, reset_b;

parameter BC_size = 3; // Size of bit counter
parameter S_idle = 3'b001, // one-hot code
 S_add = 3'b010,
 S_shift = 3'b100;

reg [2: 0] state, next_state;
reg [dp_width - 1: 0] A, B, Q; // Sized for datapath
reg C;
reg [BC_size - 1: 0] P;
reg Load_regs, Decr_P, Add_regs, Shift_regs;

// Miscellaneous combinational logic

assign Product = {C, A, Q};
wire Zero = (P == 0); // counter is zero
wire Ready = (state == S_idle); // controller status

// control unit

always @ (posedge clock, negedge reset_b)
 if (~reset_b) state <= S_idle; else state <= next_state;

always @ (state, Start, Q[0], Zero) begin
 next_state = S_idle;
 Load_regs = 0;
 Decr_P = 0;
 Add_regs = 0;
 Shift_regs = 0;
 case (state)
 S_idle: begin if (Start) next_state = S_add; Load_regs = 1; end
 S_add: begin next_state = S_shift; Decr_P = 1; if (Q[0]) Add_regs = 1; end
 S_shift: begin Shift_regs = 1; if (Zero) next_state = S_idle;
 else next_state = S_add; end
 default: next_state = S_idle;
 endcase
end
end

```

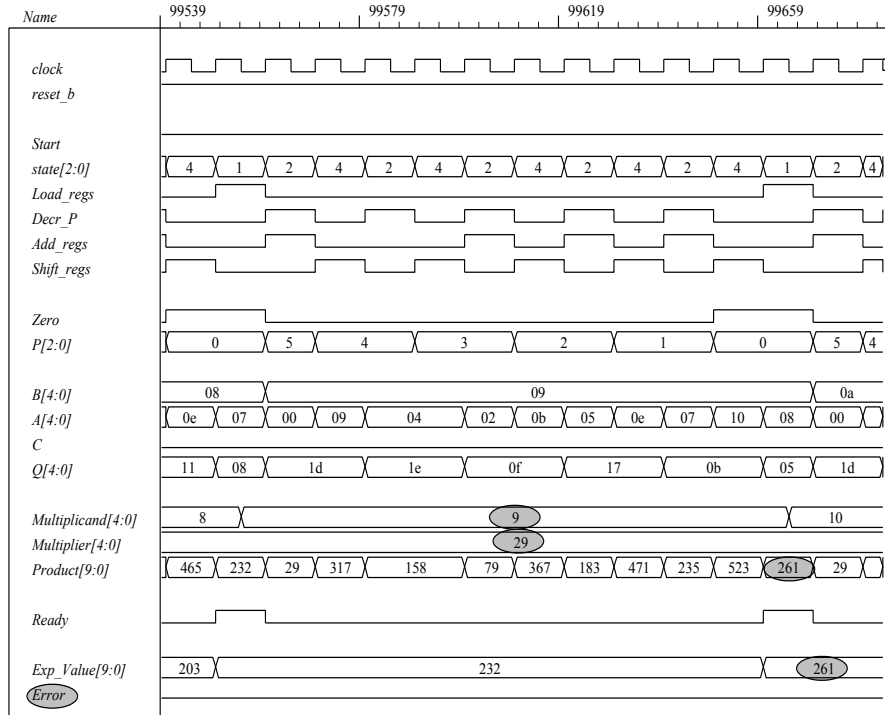
```

// datapath unit

always @ (posedge clock) begin
 if (Load_regs) begin
 P <= dp_width;
 A <= 0;
 C <= 0;
 B <= Multiplicand;
 Q <= Multiplier;
 end
 if (Add_regs) {C, A} <= A + B;
 if (Shift_regs) {C, A, Q} <= {C, A, Q} >> 1;
 if (Decr_P) P <= P - 1;
end
endmodule

```

Sample of simulation results:



- (b) In this part the controller is described by Fig. 8.18. The test bench includes probes to display the state of the controller.

```
// Test bench for exhaustive simulation
module t_Sequential_Binary_Multiplier;
parameter dp_width = 5; // Width of datapath
wire [2 * dp_width - 1: 0] Product;
wire Ready;
reg [dp_width - 1: 0] Multiplicand, Multiplier;
reg Start, clock, reset_b;

Sequential_Binary_Multiplier M0 (Product, Ready, Multiplicand, Multiplier, Start, clock, reset_b);

initial #109200 $finish;
initial begin clock = 0; #5 forever #5 clock = ~clock; end
initial fork
 reset_b = 1;
 #2 reset_b = 0;
 #3 reset_b = 1;
join
initial begin #5 Start = 1; end
initial begin
 #5 Multiplicand = 0;
 Multiplier = 0;
 repeat (31) #10 begin Multiplier = Multiplier + 1;
 repeat (32) @ (posedge M0.Ready) #5 Multiplicand = Multiplicand + 1;
 end
 Start = 0;
end

// Error Checker
reg Error;
reg [2*dp_width - 1: 0] Exp_Value;
always @ (posedge Ready) begin
 Exp_Value = Multiplier * Multiplicand;
 //Exp_Value = Multiplier * Multiplicand + 1; // Inject error to verify detection
 Error = (Exp_Value ^ Product);
end

wire [2: 0] state = {M0.G2, M0.G1, M0.G0};
endmodule

module Sequential_Binary_Multiplier (Product, Ready, Multiplicand, Multiplier, Start, clock, reset_b);
// Default configuration: 5-bit datapath
parameter dp_width = 5; // Set to width of datapath
output [2*dp_width - 1: 0] Product;
output Ready;
input [dp_width - 1: 0] Multiplicand, Multiplier;
input Start, clock, reset_b;

parameter BC_size = 3; // Size of bit counter
reg [dp_width - 1: 0] A, B, Q; // Sized for datapath
reg C;
reg [BC_size - 1: 0] P;
wire Load_regs, Decr_P, Add_regs, Shift_regs;
```

```

// Status signals

assign Product = {C, A, Q};
wire Zero = (P == 0); // counter is zero
wire Q0 = Q[0];

// One-Hot Control unit (See Fig. 8.18)
DFF_S M0 (G0, D0, clock, Set);
DFF M1 (G1, D1, clock, reset_b);
DFF M2 (G2, G1, clock, reset_b);
or (D0, w1, w2);
and (w1, G0, Start_b);
and (w2, Zero, G2);
not (Start_b, Start);
not (Zero_b, Zero);
or (D1, w3, w4);
and (w3, Start, G0);
and (w4, Zero_b, G2);

and (Load_regs, G0, Start);
and (Add_regs, Q0, G1);
assign Ready = G0;
assign Decr_P = G1;
assign Shift_regs = G2;
not (Set, reset_b);

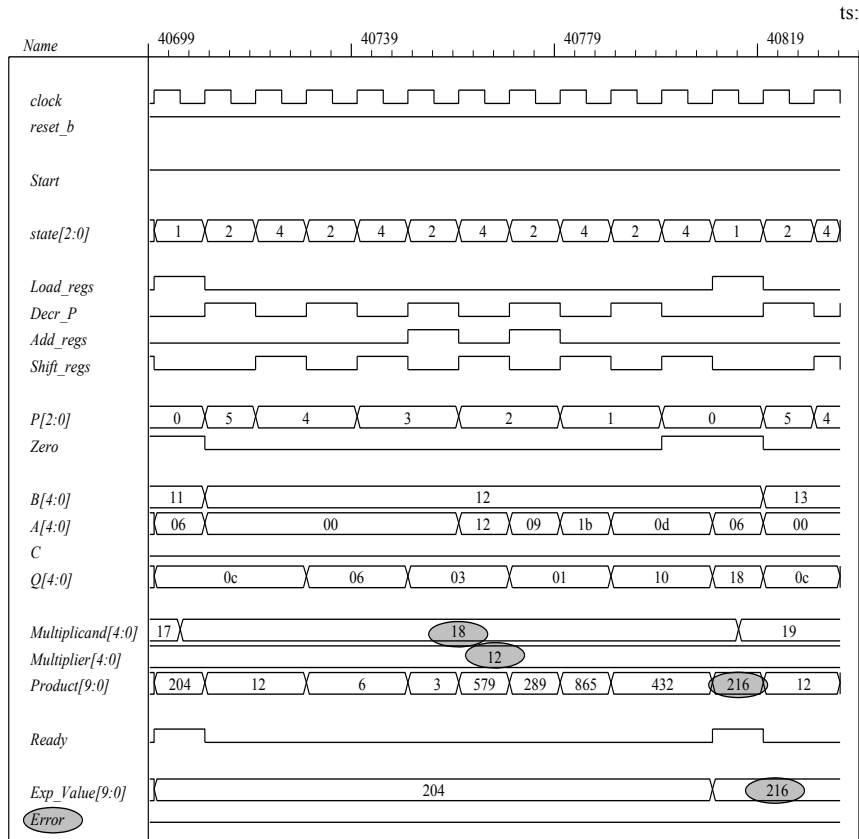
// datapath unit

always @ (posedge clock) begin
 if (Load_regs) begin
 P <= dp_width;
 A <= 0;
 C <= 0;
 B <= Multiplicand;
 Q <= Multiplier;
 end
 if (Add_regs) {C, A} <= A + B;
 if (Shift_regs) {C, A, Q} <= {C, A, Q} >> 1;
 if (Decr_P) P <= P - 1;
end
endmodule

module DFF_S (output reg Q, input data, clock, Set);
 always @ (posedge clock, posedge Set)
 if (Set) Q <= 1'b1; else Q <= data;
endmodule
module DFF (output reg Q, input data, clock, reset_b);
 always @ (posedge clock, negedge reset_b)
 if (reset_b == 0) Q <= 1'b0; else Q <= data;
endmodule

```

Sample of simulation results:



### 8.28

```
// Test bench for exhaustive simulation
module t_Sequential_Binary_Multiplier;
parameter dp_width = 5; // Width of datapath
wire [2 * dp_width - 1: 0] Product;
wire Ready;
reg [dp_width - 1: 0] Multiplicand, Multiplier;
reg Start, clock, reset_b;

Sequential_Binary_Multiplier M0 (Product, Ready, Multiplicand, Multiplier, Start, clock, reset_b);

initial #109200 $finish;
initial begin clock = 0; #5 forever #5 clock = ~clock; end
initial fork
reset_b = 1;
#2 reset_b = 0;
#3 reset_b = 1;
join
initial begin #5 Start = 1; end
```

```

initial begin
 #5 Multiplicand = 0;
 Multiplier = 0;
 repeat (31) #10 begin Multiplier = Multiplier + 1;
 repeat (32) @ (posedge M0.Ready) #5 Multiplicand = Multiplicand + 1;
 end
 Start = 0;
end

// Error Checker
reg Error;
reg [2*dp_width -1: 0] Exp_Value;
always @ (posedge Ready) begin
 Exp_Value = Multiplier * Multiplicand;
 //Exp_Value = Multiplier * Multiplicand + 1; // Inject error to verify detection
 Error = (Exp_Value ^ Product);
end
wire [2: 0] state = {M0.M0.G2, M0.M0.G1, M0.M0.G0}; // Watch state
endmodule

module Sequential_Binary_Multiplier
 #(parameter dp_width = 5)
 (
 output [2*dp_width -1: 0] Product,
 output Ready,
 input [dp_width -1: 0] Multiplicand, Multiplier,
 input Start, clock, reset_b
);
 wire Load_regs, Decr_P, Add_regs, Shift_regs, Zero, Q0;

 Controller M0 (Ready, Load_regs, Decr_P, Add_regs, Shift_regs, Start, Zero, Q0, clock, reset_b);
 Datapath M1(Product, Q0, Zero, Multiplicand, Multiplier, Start, Load_regs, Decr_P, Add_regs,
 Shift_regs, clock, reset_b);
endmodule

module Controller (
 output Ready,
 output Load_regs, Decr_P, Add_regs, Shift_regs,
 input Start, Zero, Q0, clock, reset_b
);
// One-Hot Control unit (See Fig. 8.18)
DFF_S M0 (G0, D0, clock, Set);
DFF M1 (G1, D1, clock, reset_b);
DFF M2 (G2, G1, clock, reset_b);
or (D0, w1, w2);
and (w1, G0, Start_b);
and (w2, Zero, G2);
not (Start_b, Start);
not (Zero_b, Zero);
or (D1, w3, w4);
and (w3, Start, G0);
and (w4, Zero_b, G2);

and (Load_regs, G0, Start);
and (Add_regs, Q0, G1);
assign Ready = G0;
assign Decr_P = G1;
assign Shift_regs = G2;
not (Set, reset_b);
endmodule

```

```

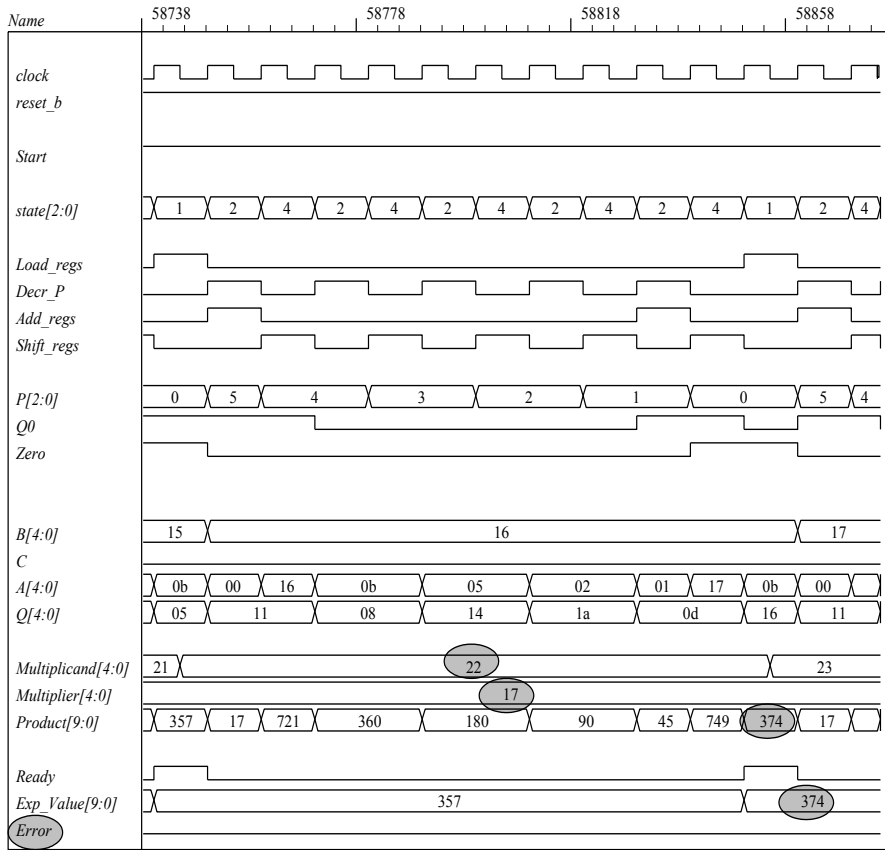
module Datapath #(parameter dp_width = 5, BC_size = 3) (
 output [2*dp_width - 1: 0] Product, output Q0, output Zero,
 input [dp_width - 1: 0] Multiplicand, Multiplier,
 input Start, Load_regs, Decr_P, Add_regs, Shift_regs, clock, reset_b
);
 reg [dp_width - 1: 0] A, B, Q; // Sized for datapath
 reg C;
 reg [BC_size - 1: 0] P;
 assign Product = {C, A, Q};
 // Status signals
 assign Zero = (P == 0); // counter is zero
 assign Q0 = Q[0];

 always @ (posedge clock) begin
 if (Load_regs) begin
 P <= dp_width;
 A <= 0;
 C <= 0;
 B <= Multiplicand;
 Q <= Multiplier;
 end
 if (Add_regs) {C, A} <= A + B;
 if (Shift_regs) {C, A, Q} <= {C, A, Q} >> 1;
 if (Decr_P) P <= P - 1;
 end
endmodule

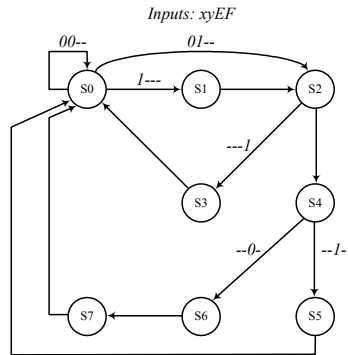
module DFF_S (output reg Q, input data, clock, Set);
 always @ (posedge clock, posedge Set)
 if (Set) Q <= 1'b1; else Q <= data;
endmodule

module DFF (output reg Q, input data, clock, reset_b);
 always @ (posedge clock, negedge reset_b)
 if (reset_b == 0) Q <= 1'b0; else Q <= data;
endmodule

```



8.29 (a)





(b)

$$DS_0 = x'yS_0 + S_3 + S_5 + S_7$$

$$DS_1 = xS_0$$

$$DS_2 = x'yS_0 + S_1$$

$$DS_3 = FS_2$$

$$DS_4 = F'S_2$$

$$DS_5 = E'S_5$$

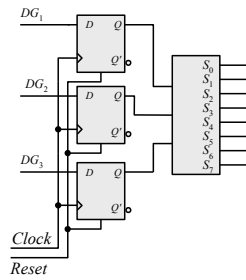
$$DS_6 = E'S_4$$

$$DS_7 = S_6$$

(c)

| Output | Present state | Inputs    | Next state    |
|--------|---------------|-----------|---------------|
|        | $G_1 G_2 G_3$ | $x y E F$ | $G_1 G_2 G_3$ |
| $S_0$  | 0 0 0         | 0 0 x x   | 0 0 0         |
| $S_0$  | 0 0 0         | 1 x x x   | 0 0 1         |
| $S_0$  | 0 0 0         | 0 1 x x   | 0 1 0         |
| $S_1$  | 0 0 1         | x x x x   | 0 1 0         |
| $S_2$  | 0 1 0         | x x 0 x   | 1 0 0         |
| $S_2$  | 0 1 0         | x x 1 x   | 0 1 1         |
| $S_3$  | 0 1 1         | x x x x   | 0 0 0         |
| $S_4$  | 1 0 0         | x x x 0   | 1 1 0         |
| $S_4$  | 1 0 0         | x x x 1   | 1 0 1         |
| $S_5$  | 1 0 1         | x x x x   | 0 0 0         |
| $S_6$  | 1 1 0         | x x x x   | 1 1 0         |
| $S_7$  | 1 1 1         | x x x x   | 0 0 0         |

(d)



$$DG_1 = F'S_2 + S_4 + S_6$$

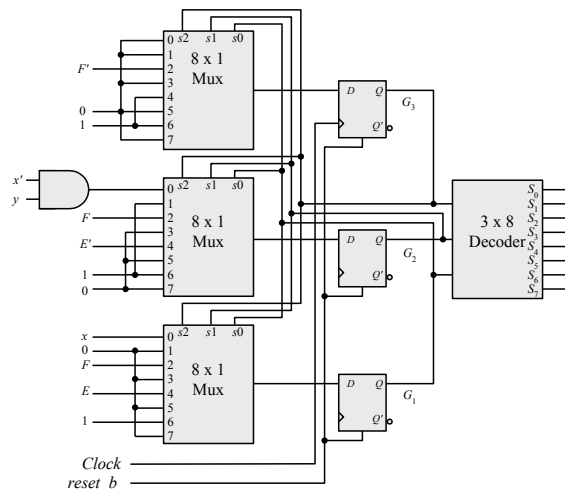
$$DG_2 = x'yS_0 + S_1 + FS_2 + E'S_4 + S_6$$

$$DG_3 = xS_0 + FS_2 + ES_4 + S_6$$

(e)

| Present state<br>$G_1 G_2 G_3$ | Next state<br>$G_1 G_2 G_3$ | Input conditions       | Mux1 | Mux2  | Mux3 |
|--------------------------------|-----------------------------|------------------------|------|-------|------|
| 0 0 0<br>0 0 0<br>0 0 0        | 0 0 0<br>0 0 1<br>0 1 0     | $x'y'$<br>$x$<br>$x'y$ | 0    | $x'y$ | $x$  |
| 0 0 1                          | 0 1 0                       | None                   | 0    | 1     | 0    |
| 0 1 0<br>0 1 0                 | 1 0 0<br>0 1 1              | $F'$<br>$F'$           | $F'$ | $F$   | $F$  |
| 0 1 1                          | 0 0 0                       | None                   | 0    | 0     | 0    |
| 1 0 0<br>1 0 0                 | 1 1 0<br>1 0 1              | $E'$<br>$E'$           | 1    | $E'$  | $E$  |
| 1 0 1                          | 0 0 0                       | None                   | 0    | 0     | 0    |
| 1 1 0                          | 1 1 0                       | None                   | 1    | 1     | 1    |
| 1 1 1                          | 0 0 0                       | None                   | 0    | 0     | 0    |

(f)



(g)

```

module Controller_8_29g (input x, y, E, F, clock, reset_b);
 supply0 GND;
 supply1 VCC;

```

```

 mux_8x1 M3 (m3, GND, GND, F_bar, GND, VCC, GND, VCC, GND, G3, G2, G1);
 mux_8x1 M2 (m2, w1, VCC, F, GND, E_bar, GND, VCC, GND, G3, G2, G1);
 mux_8x1 M1 (m1, x, GND, F, GND, E, GND, VCC, GND, G3, G2, G1);
 DFF_8_28g DM3 (G3, m3, clock, reset_b);
 DFF_8_28g DM2 (G2, m2, clock, reset_b);
 DFF_8_28g DM1 (G1, m1, clock, reset_b);
 decoder_3x8 M0_D (y0, y1, y2, y3, y4, y5, y6, y7, G3, G2, G1);

```

```

and (w1, x_bar, y);
not (F_bar, F);
not (E_bar, E);
not (x_bar, x);
endmodule

// Test plan: Exercise all paths of the ASM chart

module t_Controller_8_29g ();
reg x, y, E, F, clock, reset_b;
Controller_8_29g M0 (x, y, E, F, clock, reset_b);
wire [2: 0] state = {M0.G3, M0.G2, M0.G1};

initial #500 $finish;
initial begin clock = 0; forever #5 clock = ~clock; end
initial begin end
initial fork
 reset_b = 0; #2 reset_b = 1;
 #0 begin x = 1; y = 1; E = 1; F = 1; end // Path: S_0, S_1, S_2, S_34
 #80 reset_b = 0; #92 reset_b = 1;
 #90 begin x = 1; y = 1; E = 1; F = 0; end
 #150 reset_b = 0;
 #152 reset_b = 1;
 #150 begin x = 1; y = 1; E = 0; F = 0; end // Path: S_0, S_1, S_2, S_4, S_5
 #200 reset_b = 0;
 #202 reset_b = 1;
 #190 begin x = 1; y = 1; E = 0; F = 0; end // Path: S_0, S_1, S_2, S_4, S_6, S_7
 #250 reset_b = 0;
 #252 reset_b = 1;
 #240 begin x = 0; y = 0; E = 0; F = 0; end // Path: S_0
 #290 reset_b = 0;
 #292 reset_b = 1;
 #280 begin x = 0; y = 1; E = 0; F = 0; end // Path: S_0, S_2, S_4, S_6, S_7
 #360 reset_b = 0;
 #362 reset_b = 1;
 #350 begin x = 0; y = 1; E = 1; F = 0; end // Path: S_0, S_2, S_4, S_5
 #420 reset_b = 0;
 #422 reset_b = 1;
 #410 begin x = 0; y = 1; E = 0; F = 1; end // Path: S_0, S_2, S_3
join
endmodule

module mux_8x1 (output reg y, input x0, x1, x2, x3, x4, x5, x6, x7, s2, s1, s0);
always @ (x0, x1, x2, x3, x4, x5, x6, x7, s0, s1, s2)
 case ({s2, s1, s0})
 3'b000: y = x0;
 3'b001: y = x1;
 3'b010: y = x2;
 3'b011: y = x3;
 3'b100: y = x4;
 3'b101: y = x5;
 3'b110: y = x6;
 3'b111: y = x7;
 endcase
endmodule

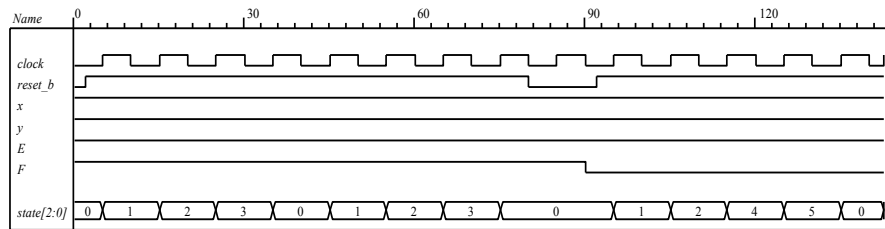
module DFF_8_28g (output reg q, input data, clock, reset_b);
always @ (posedge clock, negedge reset_b)
 if (!reset_b) q <= 1'b0; else q <= data;
endmodule

module decoder_3x8 (output reg y0, y1, y2, y3, y4, y5, y6, y7, input x2, x1, x0);

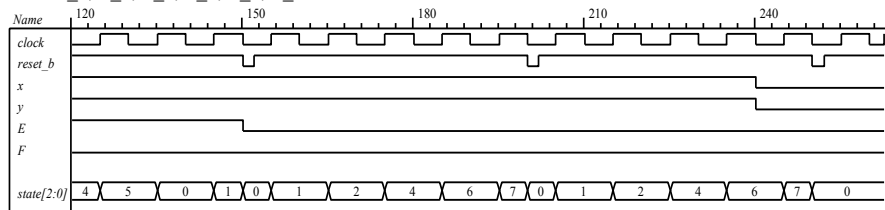
```

```
always @ (x0, x1, x2) begin
 {y7, y6, y5, y4, y3, y2, y1, y0} = 8'b0;
 case ({x2, x1, x0})
 3'b000: y0= 1'b1;
 3'b001: y1= 1'b1;
 3'b010: y2= 1'b1;
 3'b011: y3= 1'b1;
 3'b100: y4= 1'b1;
 3'b101: y5= 1'b1;
 3'b110: y6= 1'b1;
 3'b111: y7= 1'b1;
 endcase
end
endmodule
```

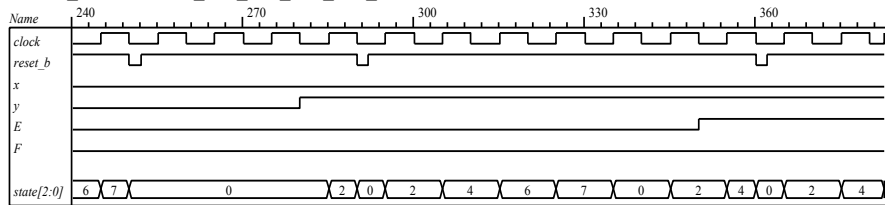
Path: S\_0, S\_1, S\_2, S\_3 and Path: S\_0, S\_1, S\_2, S\_4, S\_5



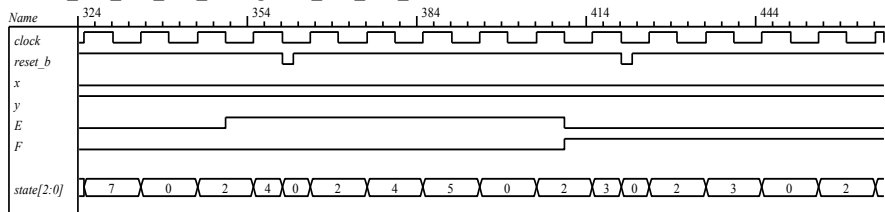
Path: S\_0, S\_1, S\_2, S\_4, S\_6, S\_7



Path: S\_0 and Path , S\_0, S\_2, S\_4, S\_6, S\_7



Path: S\_0, S\_2, S\_4, S\_5 and path S\_0, S\_2, S\_3



(h)

```

module Controller_8_29h (input x, y, E, F, clock, reset_b);
 parameter S_0 = 3'b000, S_1 = 3'b001, S_2 = 3'b010,
 S_3 = 3'b011, S_4 = 3'b100, S_5 = 3'b101, S_6 = 3'b110, S_7 = 3'b111;
 reg [2:0] state, next_state;

 always @ (posedge clock, negedge reset_b)
 if (!reset_b) state <= S_0; else state <= next_state;

```

```

always @ (state, x, y, E, F) begin
 case (state)
 S_0: if (x) next_state = S_1;
 else next_state = y ? S_2: S_0;
 S_1: next_state = S_2;
 S_2: if (F) next_state = S_3; else next_state = S_4;
 S_3, S_5, S_7: next_state = S_0;
 S_4: if (E) next_state = S_5; else next_state = S_6;
 S_6: next_state = S_7;
 default: next_state = S_0;
 endcase
end
endmodule

// Test plan: Exercise all paths of the ASM chart

module t_Controller_8_29h ();
reg x, y, E, F, clock, reset_b;

Controller_8_29h M0 (x, y, E, F, clock, reset_b);

initial #500 $finish;
initial begin clock = 0; forever #5 clock = ~clock; end
initial begin end
initial fork
 reset_b = 0; #2 reset_b = 1;
 #20 begin x = 1; y = 1; E = 1; F = 1; end // Path: S_0, S_1, S_2, S_34
 #80 reset_b = 0; #92 reset_b = 1;
 #90 begin x = 1; y = 1; E = 1; F = 0; end
 #150 reset_b = 0;
 #152 reset_b = 1;
 #150 begin x = 1; y = 1; E = 0; F = 0; end // Path: S_0, S_1, S_2, S_4, S_5
 #200 reset_b = 0;
 #202 reset_b = 1;
 #190 begin x = 1; y = 1; E = 0; F = 0; end // Path: S_0, S_1, S_2, S_4, S_6, S_7
 #250 reset_b = 0;
 #252 reset_b = 1;
 #240 begin x = 0; y = 0; E = 0; F = 0; end // Path: S_0
 #290 reset_b = 0;
 #292 reset_b = 1;
 #280 begin x = 0; y = 1; E = 0; F = 0; end // Path: S_0, S_2, S_4, S_6, S_7
 #360 reset_b = 0;
 #362 reset_b = 1;
 #350 begin x = 0; y = 1; E = 1; F = 0; end // Path: S_0, S_2, S_4, S_5
 #420 reset_b = 0;
 #422 reset_b = 1;
 #410 begin x = 0; y = 1; E = 0; F = 1; end // Path: S_0, S_2, S_3
join
endmodule

```

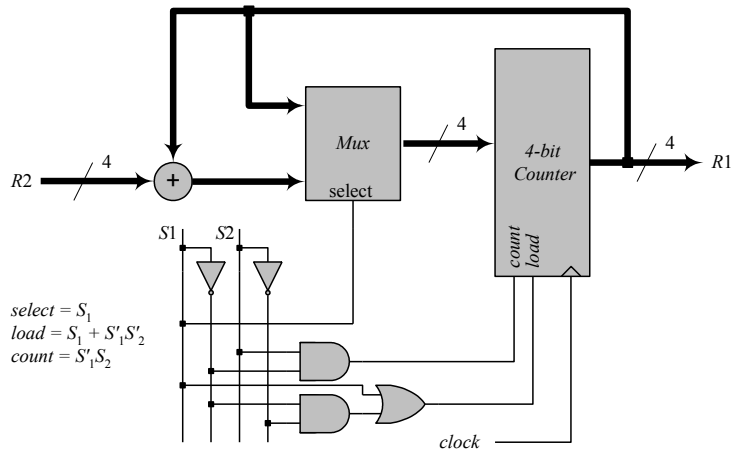
Note: Simulation results match those for 8.39g.

8.30 (a)  $E = 1$  (b)  $E = 0$

8.31  $A = 0110, B = 0010, C = 0000.$

|                 |                     |                |
|-----------------|---------------------|----------------|
| $A * B = 1100$  | $A   B = 0110$      | $A \&\& C = 0$ |
| $A + B = 1000$  | $A \wedge B = 0100$ | $  A = 1$      |
| $A - B = 0100$  | $\&A = 0$           | $A < B = 0$    |
| $\sim C = 1111$ | $\sim C = 1$        | $A > B = 1$    |
| $A \& B = 0010$ | $A    B = 1$        | $A != B = 1$   |

8.32



8.33

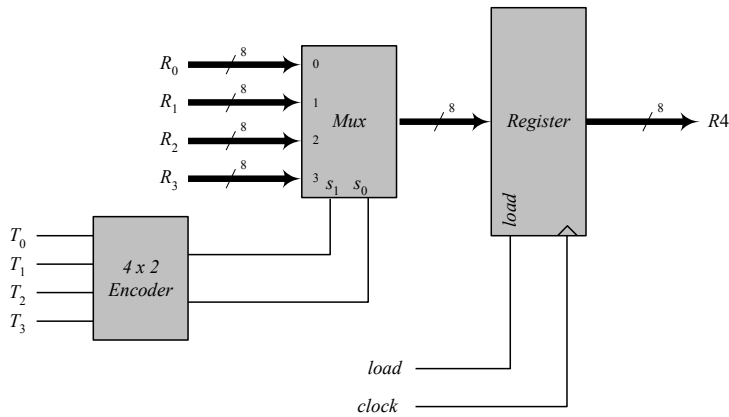
Assume that the states are encoded one-hot as  $T_0, T_1, T_2, T_3$ . The select lines of the mux are generated as:

$$s_1 = T_2 + T_3$$

$$s_0 = T_1 + T_3$$

The signal to load  $R_4$  can be generated by the host processor or by:

$$load = T_0 + T_1 + T_2 + T_3.$$



8.34 (a)

```

module Datapath_BEH
 #(parameter dp_width = 8, R2_width = 4)
 (
 output [R2_width-1:0] count, output reg E, output Zero, input [dp_width-1:0] data,
 input Load_regs, Shift_left, Incr_R2, clock, reset_b);
 reg [dp_width-1:0] R1;
 reg [R2_width-1:0] R2;

```

```

assign count = R2;
assign Zero = ~(| R1);
always @ (posedge clock) begin
 E <= R1[dp_width -1] & Shift_left;
 if (Load_regs) begin R1 <= data; R2 <= {R2_width{1'b1}}; end
 if (Shift_left) {E, R1} <= {E, R1} << 1;
 if (Incr_R2) R2 <= R2 + 1;
end
endmodule

// Test Plan for Datapath Unit:
// Demonstrate action of Load_regs
// R1 gets data, R2 gets all ones
// Demonstrate action of Incr_R2
// Demonstrate action of Shift_left and detect E

// Test bench for datapath

module t_Datapath_Unit
#(parameter dp_width = 8, R2_width = 4)
();
wire [R2_width -1: 0] count;
wire E, Zero;
reg [dp_width -1: 0] data;
reg Load_regs, Shift_left, Incr_R2, clock, reset_b;

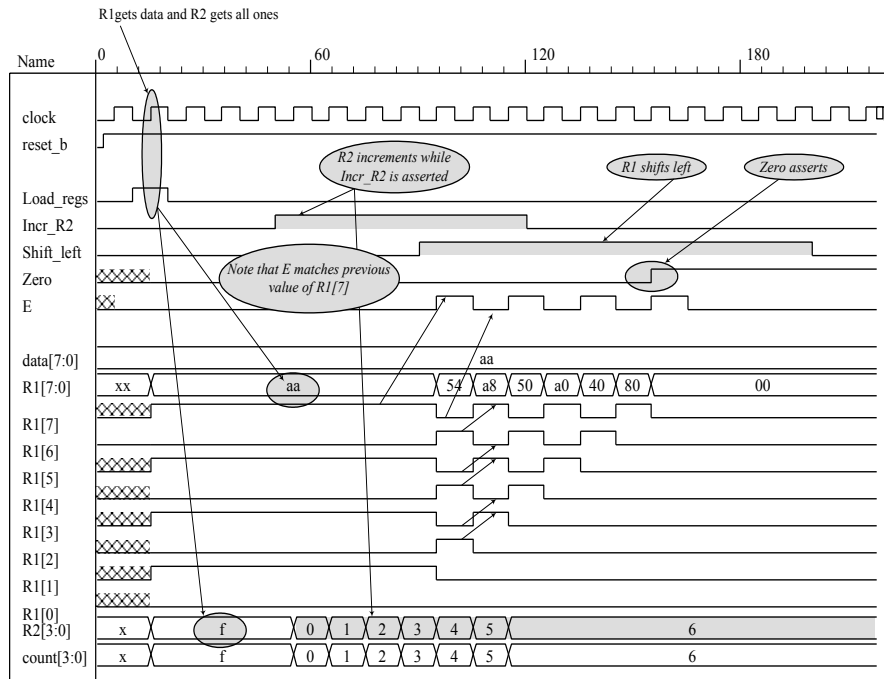
Datapath_BEH M0 (count, E, Zero, data, Load_regs, Shift_left, Incr_R2, clock, reset_b);

initial #250 $finish;
initial begin clock = 0; forever #5 clock = ~clock; end
initial begin reset_b = 0; #2 reset_b = 1; end
initial fork
 data = 8'haa;
 Load_regs = 0;
 Incr_R2 = 0;
 Shift_left = 0;
 #10 Load_regs = 1;
 #20 Load_regs = 0;
 #50 Incr_R2 = 1;
 #120 Incr_R2 = 0;
 #90 Shift_left = 1;
 #200 Shift_left = 0;
join
endmodule

```

Note: The simulation results show tests of the operations of the datapath independent of the control unit, so *count* does not represent the number of ones in the *data*.





```

(b) // Control Unit
module Controller_BEH (
output Ready,
output reg Load_regs,
output Incr_R2, Shift_left,
input Start, Zero, E, clock, reset_b
);
parameter S_idle = 0, S_1 = 1, S_2 = 2, S_3 = 3;
reg [1:0] state, next_state;

assign Ready = (state == S_idle);
assign Incr_R2 = (state == S_1);
assign Shift_left = (state == S_2);

always @ (posedge clock, negedge reset_b)
if (reset_b == 0) state <= S_idle;
else state <= next_state;

always @ (state, Start, Zero, E) begin
 Load_regs = 0;
 case (state)
 S_idle: if (Start) begin Load_regs = 1; next_state = S_1; end
 else next_state = S_idle;
 S_1: if (Zero) next_state = S_idle; else next_state = S_2;

 S_2: next_state = S_3;
 S_3: if (E) next_state = S_1; else next_state = S_2;
 endcase
end
endmodule

```

```

// Test plan for Control Unit
// Verify that state enters S_idle with reset_b asserted.
// With reset_b de-asserted, verify that state enters S_1 and asserts Load_Regs when
// Start is asserted.
// Verify that Incr_R2 is asserted in S_1.
// Verify that state returns to S_idle from S_1 if Zero is asserted.
// Verify that state goes to S_2 if Zero is not asserted.
// Verify that Shift_left is asserted in S_2.
// Verify that state goes to S_3 from S_2 unconditionally.
// Verify that state returns to S_2 from S_3 if E is not asserted.
// Verify that state goes to S_1 from S_3 if E is asserted.

```

```

// Test bench for Control Unit

```

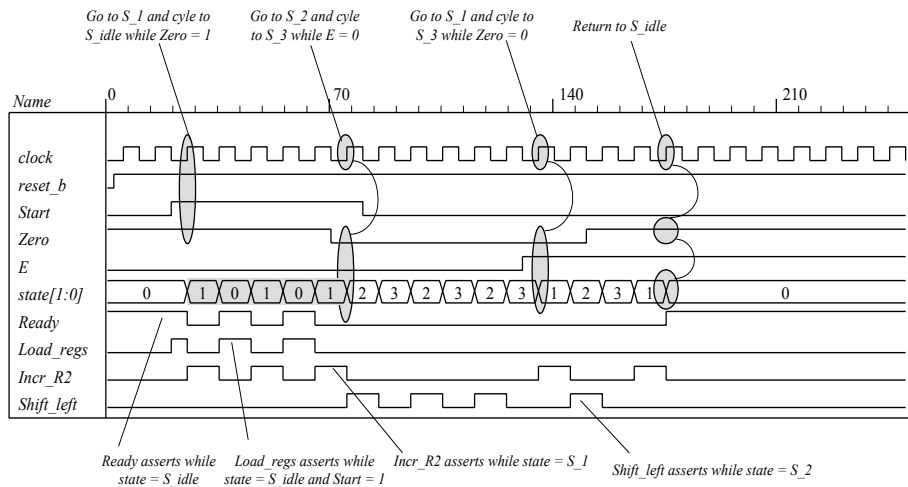
```

module t_Control_Unit ();
wire Ready, Load_regs, Incr_R2, Shift_left;
reg Start, Zero, E, clock, reset_b;

Controller_BEH M0 (Ready, Load_regs, Incr_R2, Shift_left, Start, Zero, E, clock, reset_b);

initial #250 $finish;
initial begin clock = 0; forever #5 clock = ~clock; end
initial begin reset_b = 0; #2 reset_b = 1; end
initial fork
 Zero = 1;
 E = 0;
 Start = 0;
 #20 Start = 1; // Cycle from S_idle to S_1
 #80 Start = 0;
 #70 Zero = 0; // S_idle to S_1 to S_2 to S_3 and cycle to S_2.
 #130 E = 1; // Cycle to S_3 to S_1 to S_2 to S_3
 #150 Zero = 1; // Return to S_idle
join
endmodule

```



```

(c)
// Integrated system
module Count_Ones_BEH_BEH
(parameter dp_width = 8, R2_width = 4)
(
 output [R2_width -1: 0] count,
 input [dp_width -1: 0] data,
 input Start, clock, reset_b
);
wire Load_regs, Incr_R2, Shift_left, Zero, E;
 Controller_BEH M0 (Ready, Load_regs, Incr_R2, Shift_left, Start, Zero, E, clock, reset_b);
 Datapath_BEH M1 (count, E, Zero, data, Load_regs, Shift_left, Incr_R2, clock, reset_b);
endmodule

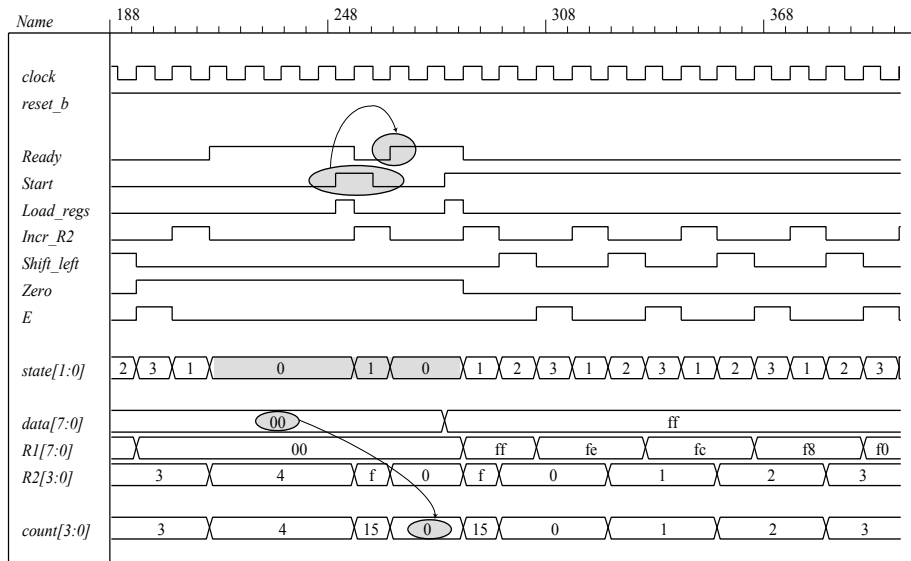
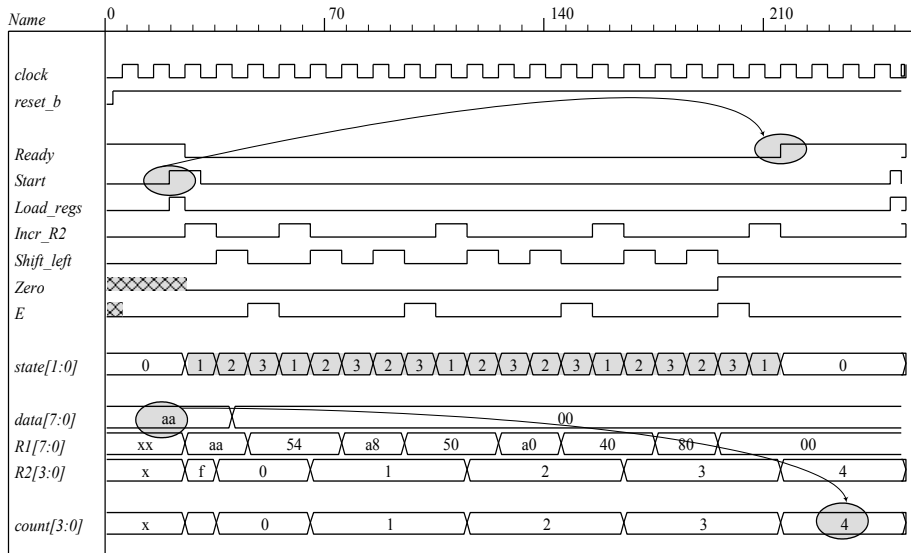
// Test plan for integrated system
// Test for data values of 8'haa, 8'h00, 8'hff.

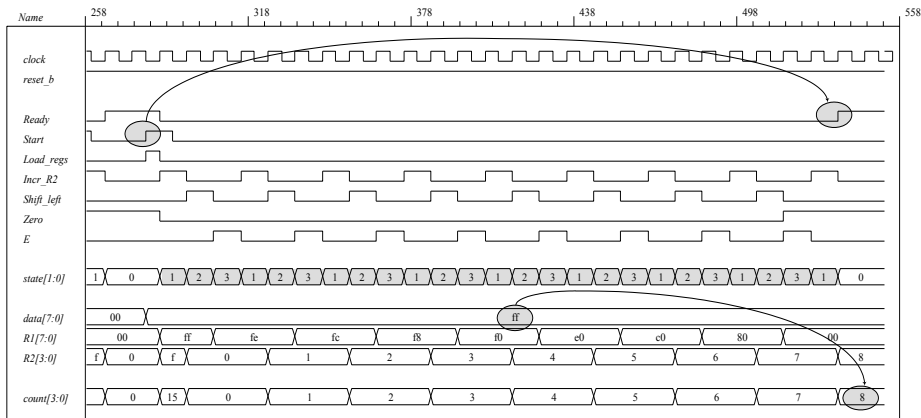
// Test bench for integrated system

module t_count_Ones_BEH_BEH ();
parameter dp_width = 8, R2_width = 4;
wire [R2_width -1: 0] count;
reg [dp_width -1: 0] data;
reg Start, clock, reset_b;

 Count_Ones_BEH_BEH M0 (count, data, Start, clock, reset_b);
initial #700 $finish;
initial begin clock = 0; forever #5 clock = ~clock; end
initial begin reset_b = 0; #2 reset_b = 1; end
initial fork
 data = 8'haa; // Expect count = 4
 Start = 0;
 #20 Start = 1;
 #30 Start = 0;
 #40 data = 8'b00; // Expect count = 0
 #250 Start = 1;
 #260 Start = 0;
 #280 data = 8'hff;
 #280 Start = 1;
 #290 Start = 0;
join
endmodule

```





(d)

// One-Hot Control unit

```

module Controller_BEH_1Hot
(
 output Ready,
 output reg Load_regs,
 output Incr_R2, Shift_left,
 input Start, Zero, E, clock, reset_b
);
 parameter S_idle = 4'b001, S_1 = 4'b0010, S_2 = 4'b0100, S_3 = 4'b1000;
 reg [3:0] state, next_state;

 assign Ready = (state == S_idle);
 assign Incr_R2 = (state == S_1);
 assign Shift_left = (state == S_2);

 always @ (posedge clock, negedge reset_b)
 if (reset_b == 0) state <= S_idle;
 else state <= next_state;

 always @ (state, Start, Zero, E) begin
 Load_regs = 0;
 case (state)
 S_idle: if (Start) begin Load_regs = 1; next_state = S_1; end
 else next_state = S_idle;
 S_1: if (Zero) next_state = S_idle; else next_state = S_2;

 S_2: next_state = S_3;
 S_3: if (E) next_state = S_1; else next_state = S_2;
 endcase
 end
endmodule

```

Note: Test plan, test bench and simulation results are same as (b), but with states numbered with one-hot codes.

(e)

// Integrated system with one-hot controller

```

module Count_Ones_BEH_1Hot

```

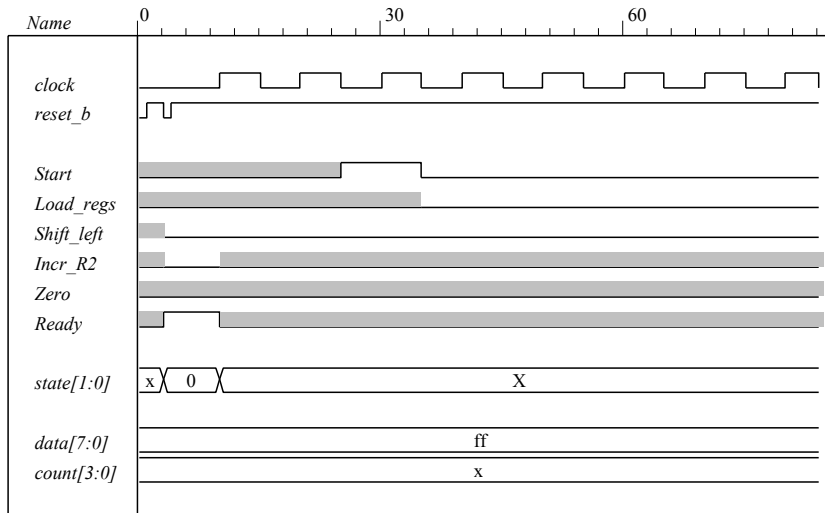
```

(parameter dp_width = 8, R2_width = 4)
(
 output [R2_width -1: 0] count,
 input [dp_width -1: 0] data,
 input Start, clock, reset_b
);
wire Load_regs, Incr_R2, Shift_left, Zero, E;
Controller_BEH_1Hot M0 (Ready, Load_regs, Incr_R2, Shift_left, Start, Zero, E, clock, reset_b);
Datapath_BEH M1 (count, E, Zero, data, Load_regs, Shift_left, Incr_R2, clock, reset_b);
endmodule

```

Note: Test plan, test bench and simulation results are same as (c), but with states numbered with one-hot codes.

- 8.35** Note: Signal *Start* is initialized to 0 when the simulation begins. Otherwise, the state of the structural model will become X at the first clock after the reset condition is deasserted, with *Start* and *Load\_Regs* having unknown values. In this condition the structural model cannot operate correctly.



```

module Count_Ones_STR_STR (count, Ready, data, Start, clock, reset_b);
// Mux – decoder implementation of control logic
// controller is structural
// datapath is structural

```

```

parameter R1_size = 8, R2_size = 4;
output [R2_size -1: 0] count;
output Ready;
input [R1_size -1: 0] data;
input Start, clock, reset_b;
wire Load_regs, Shift_left, Incr_R2, Zero, E;

```

```

Controller_STR M0 (Ready, Load_regs, Shift_left, Incr_R2, Start, E, Zero, clock, reset_b);
Datapath_STR M1 (count, E, Zero, data, Load_regs, Shift_left, Incr_R2, clock);

```

```
endmodule
```

```
module Controller_STR (Ready, Load_regs, Shift_left, Incr_R2, Start, E, Zero, clock, reset_b);
```

```

output Ready;
output Load_regs, Shift_left, Incr_R2;
input Start;
input E, Zero;
input clock, reset_b;
supply0 GND;
supply1 PWR;
parameter S0 = 2'b00, S1 = 2'b01, S2 = 2'b10, S3 = 2'b11; // Binary code
wire Load_regs, Shift_left, Incr_R2;
wire G0, G0_b, D_in0, D_in1, G1, G1_b;
wire Zero_b = ~Zero;

wire E_b = ~E;
wire [1:0]select = {G1, G0};
wire [0:3]Decoder_out;

assign Ready = ~Decoder_out[0];
assign Incr_R2 = ~Decoder_out[1];
assign Shift_left = ~Decoder_out[2];
and (Load_regs, Ready, Start);
mux_4x1_beh Mux_1 (D_in1, GND, Zero_b, PWR, E_b, select);
mux_4x1_beh Mux_0 (D_in0, Start, GND, PWR, E, select);
D_flip_flop_AR_b M1 (G1, G1_b, D_in1, clock, reset_b);
D_flip_flop_AR_b M0 (G0, G0_b, D_in0, clock, reset_b);
decoder_2x4_df M2 (Decoder_out, G1, G0, GND);

endmodule

module Datapath_STR (count, E, Zero, data, Load_regs, Shift_left, Incr_R2, clock);
parameter R1_size = 8, R2_size = 4;
output [R2_size -1: 0] count;
output E, Zero;
input [R1_size -1: 0] data;
input Load_regs, Shift_left, Incr_R2, clock;
wire [R1_size -1: 0] R1;
supply0 Gnd;
supply1 Pwr;
assign Zero = (R1 == 0);

Shift_Reg M1 (R1, data, Gnd, Shift_left, Load_regs, clock, Pwr);
Counter M2 (count, Load_regs, Incr_R2, clock, Pwr);
D_flip_flop_AR M3 (E, w1, clock, Pwr);
and (w1, R1[R1_size -1], Shift_left);
endmodule

module Shift_Reg (R1, data, SI_0, Shift_left, Load_regs, clock, reset_b);
parameter R1_size = 8;
output [R1_size -1: 0] R1;
input [R1_size -1: 0] data;
input SI_0, Shift_left, Load_regs;
input clock, reset_b;
reg [R1_size -1: 0] R1;

always @ (posedge clock, negedge reset_b)
if (reset_b == 0) R1 <= 0;
else begin
if (Load_regs) R1 <= data; else
if (Shift_left) R1 <= {R1[R1_size -2:0], SI_0}; end
endmodule

module Counter (R2, Load_regs, Incr_R2, clock, reset_b);
parameter R2_size = 4;

```

```

output [R2_size -1: 0] R2;
input Load_regs, Incr_R2;
input clock, reset_b;
reg [R2_size -1: 0] R2;

always @ (posedge clock, negedge reset_b)
 if (reset_b == 0) R2 <= 0;
 else if (Load_regs) R2 <= {R2_size {1'b1}}; // Fill with 1
 else if (Incr_R2 == 1) R2 <= R2 + 1;
endmodule

module D_flip_flop_AR (Q, D, CLK, RST);
output Q;
input D, CLK, RST;
reg Q;

always @ (posedge CLK, negedge RST)
 if (RST == 0) Q <= 1'b0;
 else Q <= D;
endmodule

module D_flip_flop_AR_b (Q, Q_b, D, CLK, RST);
output Q, Q_b;
input D, CLK, RST;
reg Q;
assign Q_b = ~Q;
always @ (posedge CLK, negedge RST)
 if (RST == 0) Q <= 1'b0;
 else Q <= D;
endmodule

// Behavioral description of 4-to-1 line multiplexer
// Verilog 2005 port syntax

module mux_4x1_beh
(output reg m_out,
input in_0, in_1, in_2, in_3,
input [1: 0] select
);

always @ (in_0, in_1, in_2, in_3, select) // Verilog 2005 syntax
 case (select)
 2'b00: m_out = in_0;
 2'b01: m_out = in_1;
 2'b10: m_out = in_2;
 2'b11: m_out = in_3;
 endcase
endmodule

// Dataflow description of 2-to-4-line decoder
// See Fig. 4.19. Note: The figure uses symbol E, but the
// Verilog model uses enable to clearly indicate functionality.

module decoder_2x4_df (D, A, B, enable);
output [0: 3] D;

input A, B;
input enable;

assign D[0] = ~(~A & ~B & ~enable),
 D[1] = ~(~A & B & ~enable),
 D[2] = ~(A & ~B & ~enable),

```



```

 D[3] = ~(A & B & ~enable);
 endmodule

module t_Count_Ones;
parameter R1_size = 8, R2_size = 4;
wire [R2_size-1: 0] R2;

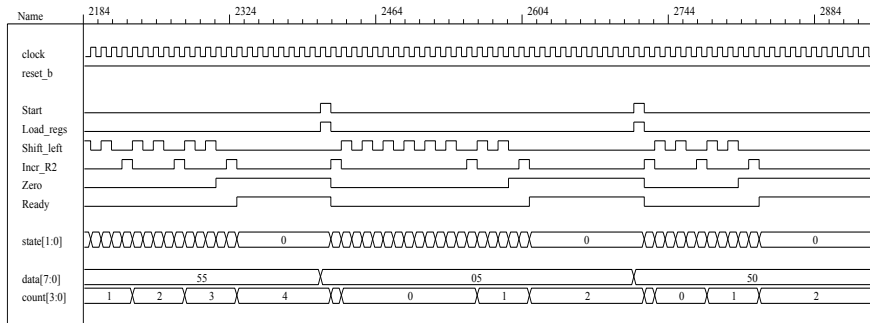
wire [R2_size-1: 0] count;
wire Ready;
reg [R1_size-1: 0] data;
reg Start, clock, reset_b;
wire [1: 0] state; // Use only for debug
assign state = {M0.M0.G1, M0.M0.G0};

Count_Ones_STR_STR M0 (count, Ready, data, Start, clock, reset_b);

initial #4000 $finish;
initial begin clock = 0; #5 forever #5 clock = ~clock; end
initial fork
 Start = 0;

 #1 reset_b = 1;
 #3 reset_b = 0;
 #4 reset_b = 1;
 data = 8'Hff;
 # 25 Start = 1;
 # 35 Start = 0;
 #310 data = 8'h0f;
 #310 Start = 1;
 #320 Start = 0;
 #610 data = 8'hf0;
 #610 Start = 1;
 #620 Start = 0;
 #910 data = 8'h00;
 #910 Start = 1;
 #920 Start = 0;
 #1210 data = 8'haa;
 #1210 Start = 1;
 #1220 Start = 0;
 #1510 data = 8'h0a;
 #1510 Start = 1;
 #1520 Start = 0;
 #1810 data = 8'ha0;
 #1810 Start = 1;
 #1820 Start = 0;
 #2110 data = 8'h55;
 #2110 Start = 1;
 #2120 Start = 0;
 #2410 data = 8'h05;
 #2410 Start = 1;
 #2420 Start = 0;
 #2710 data = 8'h50;
 #2710 Start = 1;
 #2720 Start = 0;
 #3010 data = 8'ha5;
 #3010 Start = 1;
 #3020 Start = 0;
 #3310 data = 8'h5a;
 #3310 Start = 1;
 #3320 Start = 0;
join
endmodule

```



**8.36** Note: See Prob. 8.35 for a behavioral model of the datapath unit, Prob. 8.36d for a one-hot control unit.

- (a)  $T_0, T_1, T_2, T_3$  be asserted when the state is in  $S\_idle, S\_1, S\_2,$  and  $S\_3,$  respectively. Let  $D_0, D_1, D_2,$  and  $D_3$  denote the inputs to the one-hot flip-flops.

$$\begin{aligned} D_0 &= T_0 Start' + T_1 Zero \\ D_1 &= T_0 Start + T_3 E \\ D_2 &= T_1 Zero' + T_3 E' \\ D_3 &= T_2 \end{aligned}$$

- (b) Gate-level one-hot controller

```

module Controller_Gates_1Hot
(
 output Ready,
 output Load_regs, Incr_R2, Shift_left,
 input Start, Zero, E, clock, reset_b
);
 wire w1, w2, w3, w4, w5, w6;
 wire T0, T1, T2, T3;
 wire set;
 assign Ready = T0;
 assign Incr_R2 = T1;
 assign Shift_left = T2;
 and (Load_regs, T0, Start);
 not (set, reset_b);
 DFF S M0 (T0, D0, clock, set); // Note: reset action must initialize S_idle = 4'b0001
 DFF M1 (T1, D1, clock, reset_b);
 DFF M2 (T2, D2, clock, reset_b);
 DFF M3 (T3, D3, clock, reset_b);

 not (Start_b, Start);
 and (w1, T0, Start_b);
 and (w2, T1, Zero);
 or (D0, w1, w2);

```

```

and (w3, T0, Start);
and (w4, T3, E);
or (D1, w3, w4);

not (Zero_b, Zero);
not (E_b, E);
and (w5, T1, Zero_b);
and (w6, T3, E_b);
or (D2, w5, w6);

```

```

buf (D3, T2);
endmodule

```

```

module DFF (output reg Q, input D, clock, reset_b);
always @ (posedge clock, negedge reset_b)
 if (reset_b == 0) Q <= 0;
 else Q <= D;
endmodule

module DFF_S (output reg Q, input D, clock, set);
always @ (posedge clock, posedge set)
 if (set == 1) Q <= 1;
 else Q <= D;
endmodule

```

(c)

```

// Test plan for Control Unit
// Verify that state enters S_idle with reset_b asserted.
// With reset_b de-asserted, verify that state enters S_1 and asserts Load_Regs when
// Start is asserted.
// Verify that Incr_R2 is asserted in S_1.
// Verify that state returns to S_idle from S_1 if Zero is asserted.
// Verify that state goes to S_2 if Zero is not asserted.
// Verify that Shift_left is asserted in S_2.
// Verify that state goes to S_3 from S_2 unconditionally.
// Verify that state returns to S_2 from S_3 if E is not asserted.
// Verify that state goes to S_1 from S_3 if E is asserted.

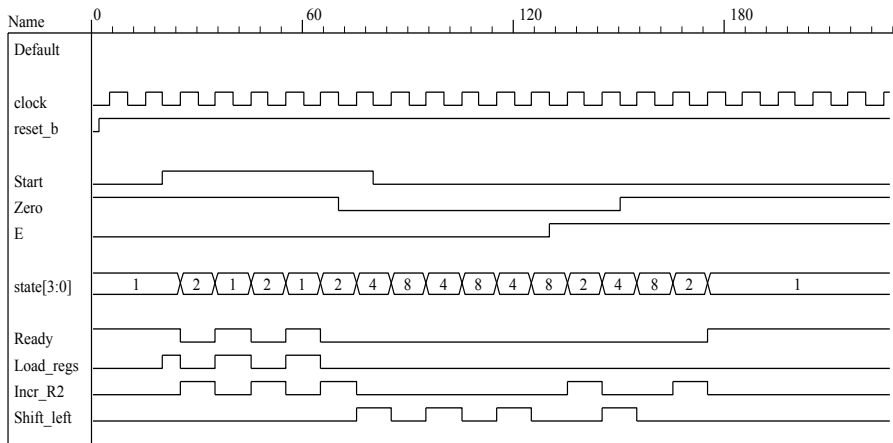
// Test bench for One-Hot Control Unit

module t_Control_Unit ();
wire Ready, Load_regs, Incr_R2, Shift_left;
reg Start, Zero, E, clock, reset_b;
wire [3: 0] state = {M0.T3, M0.T2, M0.T1, M0.T0}; // Observe one-hot state bits
Controller_Gates_1Hot M0 (Ready, Load_regs, Incr_R2, Shift_left, Start, Zero, E, clock, reset_b);

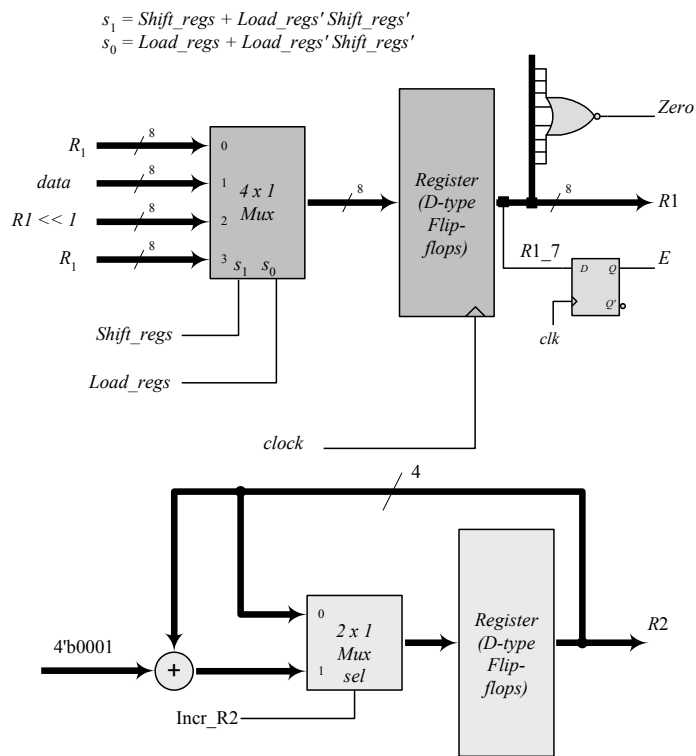
initial #250 $finish;
initial begin clock = 0; forever #5 clock = ~clock; end
initial begin reset_b = 0; #2 reset_b = 1; end
initial fork
 Zero = 1;
 E = 0;
 Start = 0;
 #20 Start = 1; // Cycle from S_idle to S_1
 #80 Start = 0;
 #70 Zero = 0; // S_idle to S_1 to S_2 to S_3 and cycle to S_2.
 #130 E = 1; // Cycle to S_3 to S_1 to S_2 to S_3
 #150 Zero = 1; // Return to S_idle
join
endmodule

```

Note: simulation results match those for Prob. 8.34(d). See Prob. 8.34(c) for annotations.



(d) Datapath unit detail:



```

// Datapath unit – structural model
module Datapath_STR
#(parameter dp_width = 8, R2_width = 4)
(
 output [R2_width -1: 0] count, output E, output Zero, input [dp_width -1: 0] data,
 input Load_regs, Shift_left, Incr_R2, clock, reset_b);
supply1 pwr;
supply0 gnd;
wire [dp_width -1: 0] R1_Dbus, R1;
wire [R2_width -1: 0] R2_Dbus;
wire DR1_0, DR1_1, DR1_2, DR1_3, DR1_4, DR1_5, DR1_6, DR1_7;
wire R1_0, R1_1, R1_2, R1_3, R1_4, R1_5, R1_6, R1_7;
wire R2_0, R2_1, R2_2, R2_3;
wire [R2_width -1: 0] R2 = {R2_3, R2_2, R2_1, R2_0};
assign count = {R2_3, R2_2, R2_1, R2_0};
assign R1 = { R1_7, R1_6, R1_5, R1_4, R1_3, R1_2, R1_1, R1_0};
assign DR1_0 = R1_Dbus[0];
assign DR1_1 = R1_Dbus[1];
assign DR1_2 = R1_Dbus[2];
assign DR1_3 = R1_Dbus[3];
assign DR1_4 = R1_Dbus[4];
assign DR1_5 = R1_Dbus[5];
assign DR1_6 = R1_Dbus[6];
assign DR1_7 = R1_Dbus[7];

nor (Zero, R1_0, R1_1, R1_2, R1_3, R1_4, R1_5, R1_6, R1_7);
DFF D_E (E, R1_7, clock, pwr);

DFF DF_0 (R1_0, DR1_0, clock, pwr); // Disable reset
DFF DF_1 (R1_1, DR1_1, clock, pwr);
DFF DF_2 (R1_2, DR1_2, clock, pwr);
DFF DF_3 (R1_3, DR1_3, clock, pwr);
DFF DF_4 (R1_4, DR1_4, clock, pwr);
DFF DF_5 (R1_5, DR1_5, clock, pwr);
DFF DF_6 (R1_6, DR1_6, clock, pwr);
DFF DF_7 (R1_7, DR1_7, clock, pwr);

DFF_S DR_0 (R2_0, DR2_0, clock, Load_regs); // Load_regs (set) drives R2 to all ones
DFF_S DR_1 (R2_1, DR2_1, clock, Load_regs);
DFF_S DR_2 (R2_2, DR2_2, clock, Load_regs);
DFF_S DR_3 (R2_3, DR2_3, clock, Load_regs);

assign DR2_0 = R2_Dbus[0];
assign DR2_1 = R2_Dbus[1];
assign DR2_2 = R2_Dbus[2];
assign DR2_3 = R2_Dbus[3];

wire [1: 0] sel = {Shift_left, Load_regs};
wire [dp_width -1: 0] R1_shifted = {R1_6, R1_5, R1_4, R1_3, R1_2, R1_1, R1_0, 1'b0};
wire [R2_width -1: 0] sum = R2 + 4'b0001;

Mux8_4_x_1 M0 (R1_Dbus, R1, data, R1_shifted, R1, sel);
Mux4_2_x_1 M1 (R2_Dbus, R2, sum, Incr_R2);
endmodule

```

```

module Mux8_4_x_1 #(parameter dp_width = 8) (output reg [dp_width -1: 0] mux_out,
input [dp_width -1: 0] in0, in1, in2, in3, input [1: 0] sel);
always @ (in0, in1, in2, in3, sel)
 case (sel)
 2'b00: mux_out = in0;
 2'b01: mux_out = in1;
 2'b10: mux_out = in2;
 2'b11: mux_out = in3;
 endcase
endmodule

module Mux4_2_x_1 #(parameter dp_width = 4) (output [dp_width -1: 0] mux_out,
input [dp_width -1: 0] in0, in1, input sel);
assign mux_out = sel ? in1: in0;
endmodule

// Test Plan for Datapath Unit:
// Demonstrate action of Load_regs
// R1 gets data, R2 gets all ones
// Demonstrate action of Incr_R2
// Demonstrate action of Shift_left and detect E

// Test bench for datapath
module t_Datapath_Unit
#(parameter dp_width = 8, R2_width = 4)
(input
 wire [R2_width -1: 0] count;
 wire E, Zero;
 reg [dp_width -1: 0] data;
 reg Load_regs, Shift_left, Incr_R2, clock, reset_b;
 Datapath_STR M0 (count, E, Zero, data, Load_regs, Shift_left, Incr_R2, clock, reset_b);

 initial #250 $finish;
 initial begin clock = 0; forever #5 clock = ~clock; end
 initial begin reset_b = 0; #2 reset_b = 1; end
 initial fork
 data = 8'haa;
 Load_regs = 0;
 Incr_R2 = 0;
 Shift_left = 0;
 #10 Load_regs = 1;
 #20 Load_regs = 0;
 #50 Incr_R2 = 1;
 #120 Incr_R2 = 0;
 #90 Shift_left = 1;
 #200 Shift_left = 0;
 join
endmodule

// Integrated system
module Count_Ones_Gates_1_Hot_STR
(parameter dp_width = 8, R2_width = 4)
(
 output [R2_width -1: 0] count,
 input [dp_width -1: 0] data,
 input Start, clock, reset_b
);
 wire Load_regs, Incr_R2, Shift_left, Zero, E;
 Controller_Gates_1Hot M0 (Ready, Load_regs, Incr_R2, Shift_left, Start, Zero, E, clock, reset_b);
 Datapath_STR M1 (count, E, Zero, data, Load_regs, Shift_left, Incr_R2, clock, reset_b);
endmodule

```

```

// Test plan for integrated system
// Test for data values of 8'haa, 8'h00, 8'hff.

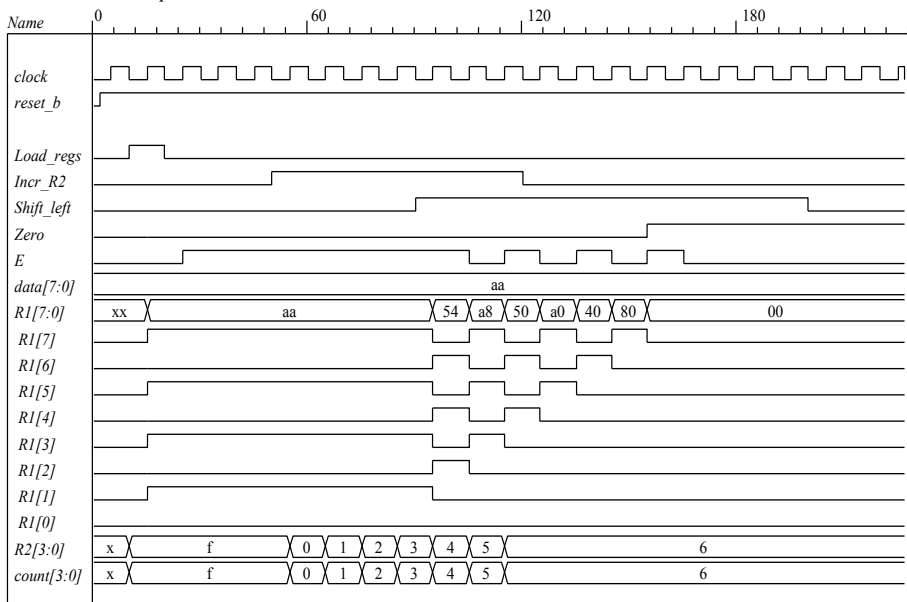
// Test bench for integrated system

module t_count_Ones_Gates_1_Hot_STR ();
parameter dp_width = 8, R2_width = 4;
wire [R2_width -1: 0] count;
reg [dp_width -1: 0] data;
reg Start, clock, reset_b;
wire [3: 0] state = {M0.M0.T3, M0.M0.T2, M0.M0.T1, M0.M0.T0};

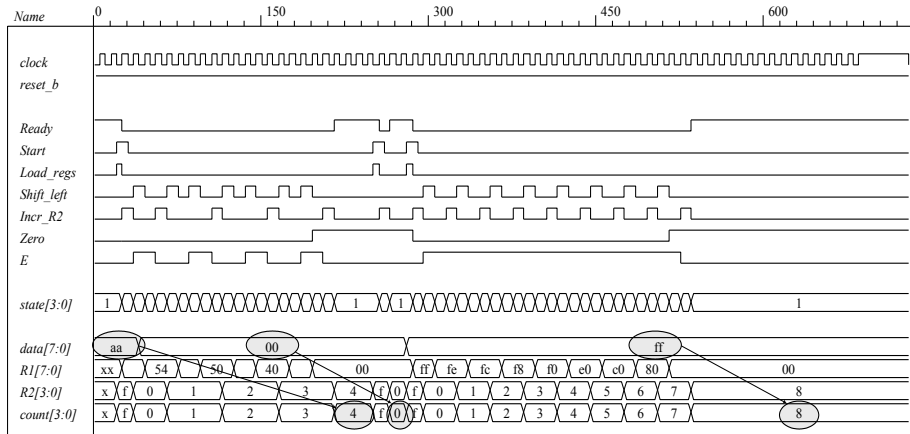
Count_Ones_Gates_1_Hot_STR M0 (count, data, Start, clock, reset_b);
initial #700 $finish;
initial begin clock = 0; forever #5 clock = ~clock; end
initial begin reset_b = 0; #2 reset_b = 1; end
initial fork
 data = 8'haa; // Expect count = 4
 Start = 0;
 #20 Start = 1;
 #30 Start = 0;
 #40 data = 8'b00; // Expect count = 0
 #250 Start = 1;
 #260 Start = 0;
 #280 data = 8'hff;
 #280 Start = 1;
 #290 Start = 0;
join
endmodule

```

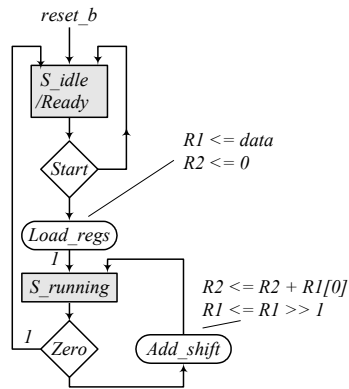
Note: The simulation results show tests of the operations of the datapath independent of the control unit, so count does not represent the number of ones in the data.



Simulations results for the integrated system match those shown in Prob. 8.34(e). See those results for additional annotation.



8.37 (a) ASMD chart:



(b) RTL model:

```

module Datapath_Unit_2_Beh #(parameter dp_width = 8, R2_width = 4)
(
 output [R2_width - 1: 0] count,
 output Zero,
 input [dp_width - 1: 0] data,
 input Load_regs, Add_shift, clock, reset_b
);
 reg [dp_width - 1: 0] R1;
 reg [R2_width - 1: 0] R2;
 assign count = R2;
 assign Zero = ~|R1;
 always @ (posedge clock, negedge reset_b)
 begin

```



```

if (reset_b == 0) begin R1 <= 0; R2 <= 0; end else begin
 if (Load_regs) begin R1 <= data; R2 <= 0; end
 if (Add_shift) begin R1 <= R1 >> 1; R2 <= R2 + R1[0]; end // concurrent operations
end
end
endmodule

```

```

// Test plan for datapath unit
// Verify active-low reset action
// Test for action of Add_shift
// Test for action of Load_regs

```

```

module t_Datapath_Unit_2_Beh();
parameter R1_size = 8, R2_size = 4;
wire [R2_size-1: 0] count;
wire Zero;
reg [R1_size-1: 0] data;
reg Load_regs, Add_shift, clock, reset_b;

```

```

Datapath_Unit_2_Beh M0 (count, Zero, data, Load_regs, Add_shift, clock, reset_b);

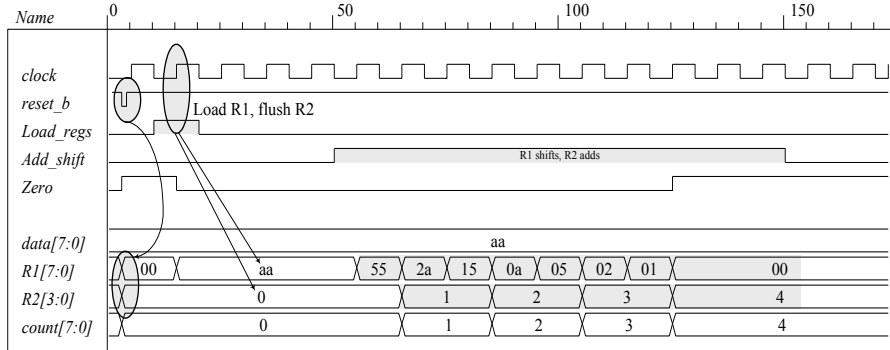
```

```

initial #1000 $finish;
initial begin clock = 0; forever #5 clock = ~clock; end
initial fork
#1 reset_b = 1;
#3 reset_b = 0;
#4 reset_b = 1;
join
initial fork
data = 8'haa;
Load_regs = 0;
Add_shift = 0;
#10 Load_regs = 1;
#20 Load_regs = 0;
#50 Add_shift = 1;
#150 Add_shift = 0;
join
endmodule

```

Note that the operations of the datapath unit are tested independent of the controller, so the actions of *Load\_regs* and *add\_shift* and the value of *count* do not correspond to *data*.



```

module Controller_2_Beh (
output Ready,

```

```

output reg Load_regs,
 Add_shift,
input Start, Zero, clock, reset_b
);
parameter S_idle = 0, S_running = 1;
reg state, next_state;
assign Ready = (state == S_idle);

always @ (posedge clock, negedge reset_b)
if (reset_b == 0) state <= S_idle;
else state <= next_state;

always @ (state, Start, Zero) begin
 next_state = S_idle;
 Load_regs = 0;
 Add_shift = 0;

 case (state)
 S_idle: if (Start) begin Load_regs = 1; next_state = S_running; end
 S_running: if (Zero) next_state = S_idle;
 else begin Add_shift = 1; next_state = S_running; end
 endcase
end
endmodule

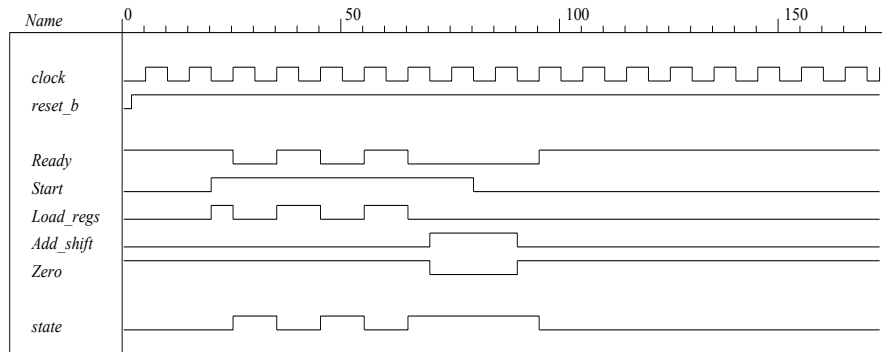
module t_Controller_2_Beh ();
wire Ready, Load_regs, Add_shift;
reg Start, Zero, clock, reset_b;

 Controller_2_Beh M0 (Ready, Load_regs, Add_shift, Start, Zero, clock, reset_b);

initial #250 $finish;
initial begin clock = 0; forever #5 clock = ~clock; end
initial begin reset_b = 0; #2 reset_b = 1; end
initial fork
 Zero = 1;
 Start = 0;
 #20 Start = 1; // Cycle from S_idle to S_1
 #80 Start = 0;
 #70 Zero = 0; // S_idle to S_1 to S_idle
 #90 Zero = 1; // Return to S_idle
join
endmodule

```

Note: The state transitions and outputs of the controller match the ASMD chart.



```

module Count_of_Ones_2_Beh #(parameter dp_width = 8, R2_width = 4)
(
 output [R2_width -1: 0] count,
 output Ready,
 input [dp_width -1: 0] data,
 input Start, clock, reset_b
);
 wire Load_regs, Add_shift, Zero;

 Controller_2_Beh M0 (Ready, Load_regs, Add_shift, Start, Zero, clock, reset_b);
 Datapath_Unit_2_Beh M1 (count, Zero, data, Load_regs, Add_shift, clock, reset_b);
endmodule

// Test plan for integrated system
// Test for data values of 8'haa, 8'h00, 8'hff.

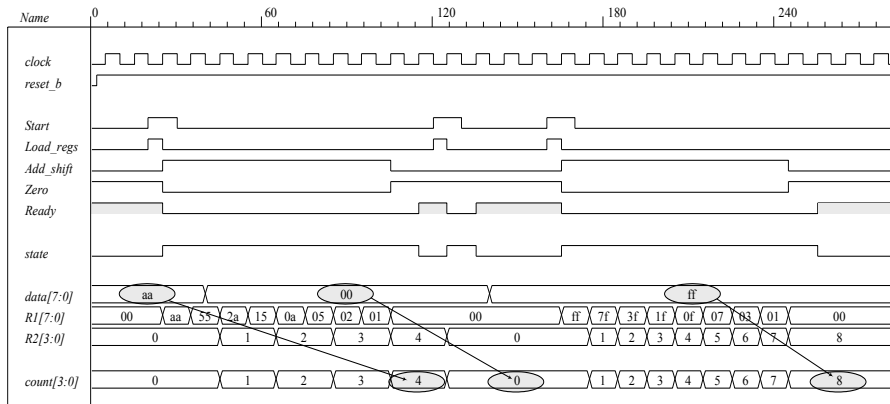
// Test bench for integrated system

module t_Count_Ones_2_Beh ();
 parameter dp_width = 8, R2_width = 4;
 wire [R2_width -1: 0] count;
 reg [dp_width -1: 0] data;
 reg Start, clock, reset_b;

 Count_of_Ones_2_Beh M0 (count, Ready, data, Start, clock, reset_b);

 initial #700 $finish;
 initial begin clock = 0; forever #5 clock = ~clock; end
 initial begin reset_b = 0; #2 reset_b = 1; end
 initial fork
 data = 8'haa; // Expect count = 4
 Start = 0;
 #20 Start = 1;
 #30 Start = 0;
 #40 data = 8'b00; // Expect count = 0
 #120 Start = 1;
 #130 Start = 0;
 #140 data = 8'hff;
 #160 Start = 1;
 #170 Start = 0;
 join
endmodule

```



- (c)  $T_0$ ,  $T_1$  are to be asserted when the state is in  $S\_idle$ ,  $S\_running$ , respectively. Let  $D_0$ ,  $D_1$  denote the inputs to the one-hot flip-flops.

$$D_0 = T_0 Start' + T_1 Zero$$

$$D_1 = T_0 Start + T_1 E'$$

- (d) Gate-level one-hot controller

```

module Controller_2_Gates_1Hot
(
 output Ready, Load_regs, Add_shift,
 input Start, Zero, clock, reset_b
);
 wire w1, w2, w3, w4;
 wire T0, T1;
 wire set;
 assign Ready = T0;
 assign Add_shift = T1;
 and (Load_regs, T0, Start);
 not (set, reset_b);
 DFF_S M0 (T0, D0, clock, set); // Note: reset action must initialize S_idle = 2'b01
 DFF M1 (T1, D1, clock, reset_b);

 not (Start_b, Start);
 not (Zero_b, Zero);
 and (w1, T0, Start_b);
 and (w2, T1, Zero);
 or (D0, w1, w2);

 and (w3, T0, Start);
 and (w4, T1, Zero_b);
 or (D1, w3, w4);
endmodule

module DFF (output reg Q, input D, clock, reset_b);
 always @ (posedge clock, negedge reset_b)
 if (reset_b == 0) Q <= 0;
 else Q <= D;
endmodule
module DFF_S (output reg Q, input D, clock, set);

```

```

always @ (posedge clock, posedge set)
 if (set == 1) Q <= 1;
 else Q <= D;
endmodule

// Test plan for Control Unit
// Verify that state enters S_idle with reset_b asserted.
// With reset_b de-asserted, verify that state enters S_running and asserts Load_Regs when
// Start is asserted.
// Verify that state returns to S_idle from S_running if Zero is asserted.
// Verify that state goes to S_running if Zero is not asserted.

// Test bench for One-Hot Control Unit

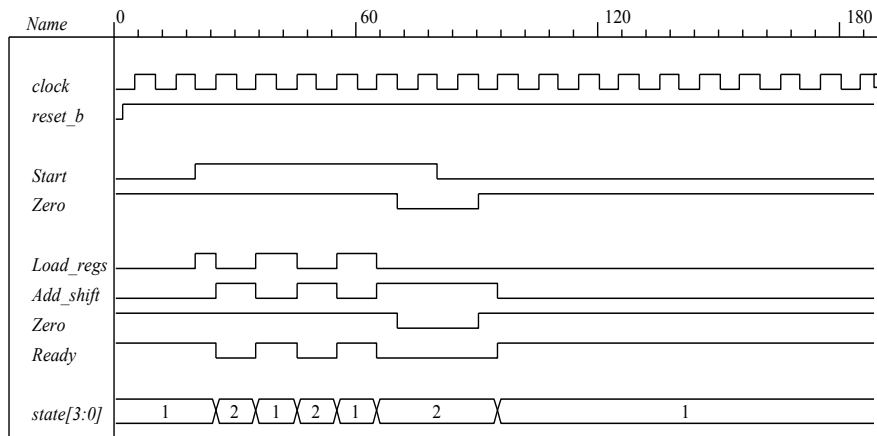
module t_Control_Unit ();
 wire Ready, Load_regs, Add_shift;
 reg Start, Zero, clock, reset_b;
 wire [3:0] state = {M0.T1, M0.T0}; // Observe one-hot state bits

 Controller_2_Gates_1Hot M0 (Ready, Load_regs, Add_shift, Start, Zero, clock, reset_b);

 initial #250 $finish;
 initial begin clock = 0; forever #5 clock = ~clock; end
 initial begin reset_b = 0; #2 reset_b = 1; end
 initial fork
 Zero = 1;
 Start = 0;
 #20 Start = 1; // Cycle from S_idle to S_1
 #80 Start = 0;
 #70 Zero = 0; // S_idle to S_1 to S_idle
 #90 Zero = 1; // Return to S_idle
 join
endmodule

```

Simulation results show that the controller matches the ASMD chart.



```
// Datapath unit – structural model
```

```
module Datapath_2_STR
 #(parameter dp_width = 8, R2_width = 4)

```

```

(
 output [R2_width -1: 0] count,
 output Zero,
 input [dp_width -1: 0] data,
 input Load_regs, Add_shift, clock, reset_b);
 supply1 pwr;
 supply0 gnd;
 wire [dp_width -1: 0] R1_Dbus, R1;
 wire [R2_width -1: 0] R2_Dbus;
 wire DR1_0, DR1_1, DR1_2, DR1_3, DR1_4, DR1_5, DR1_6, DR1_7;
 wire R1_0, R1_1, R1_2, R1_3, R1_4, R1_5, R1_6, R1_7;
 wire R2_0, R2_1, R2_2, R2_3;
 wire [R2_width -1: 0] R2 = {R2_3, R2_2, R2_1, R2_0};
 assign count = {R2_3, R2_2, R2_1, R2_0};
 assign R1 = { R1_7, R1_6, R1_5, R1_4, R1_3, R1_2, R1_1, R1_0};
 assign DR1_0 = R1_Dbus[0];
 assign DR1_1 = R1_Dbus[1];
 assign DR1_2 = R1_Dbus[2];
 assign DR1_3 = R1_Dbus[3];
 assign DR1_4 = R1_Dbus[4];
 assign DR1_5 = R1_Dbus[5];
 assign DR1_6 = R1_Dbus[6];
 assign DR1_7 = R1_Dbus[7];

 nor (Zero, R1_0, R1_1, R1_2, R1_3, R1_4, R1_5, R1_6, R1_7);
 not (Load_regs_b, Load_regs);

 DFF DF_0 (R1_0, DR1_0, clock, pwr); // Disable reset
 DFF DF_1 (R1_1, DR1_1, clock, pwr);
 DFF DF_2 (R1_2, DR1_2, clock, pwr);
 DFF DF_3 (R1_3, DR1_3, clock, pwr);
 DFF DF_4 (R1_4, DR1_4, clock, pwr);
 DFF DF_5 (R1_5, DR1_5, clock, pwr);
 DFF DF_6 (R1_6, DR1_6, clock, pwr);
 DFF DF_7 (R1_7, DR1_7, clock, pwr);

 DFF DR_0 (R2_0, DR2_0, clock, Load_regs_b); // Load_regs (set) drives R2 to all ones
 DFF DR_1 (R2_1, DR2_1, clock, Load_regs_b);
 DFF DR_2 (R2_2, DR2_2, clock, Load_regs_b);
 DFF DR_3 (R2_3, DR2_3, clock, Load_regs_b);

 assign DR2_0 = R2_Dbus[0];
 assign DR2_1 = R2_Dbus[1];
 assign DR2_2 = R2_Dbus[2];
 assign DR2_3 = R2_Dbus[3];

 wire [1: 0] sel = {Add_shift, Load_regs};
 wire [dp_width -1: 0] R1_shifted = {1'b0, R1_7, R1_6, R1_5, R1_4, R1_3, R1_2, R1_1};
 wire [R2_width -1: 0] sum = R2 + {3'b000, R1[0]};

 Mux8_4_x_1 M0 (R1_Dbus, R1, data, R1_shifted, R1, sel);
 Mux4_2_x_1 M1 (R2_Dbus, R2, sum, Add_shift);
endmodule

```

```

module Mux8_4_x_1 #(parameter dp_width = 8) (output reg [dp_width -1: 0] mux_out,
input [dp_width -1: 0] in0, in1, in2, in3, input [1: 0] sel);
always @ (in0, in1, in2, in3, sel)
 case (sel)
 2'b00: mux_out = in0;
 2'b01: mux_out = in1;
 2'b10: mux_out = in2;
 2'b11: mux_out = in3;
 endcase
endmodule

module Mux4_2_x_1 #(parameter dp_width = 4) (output [dp_width -1: 0] mux_out,
input [dp_width -1: 0] in0, in1, input sel);
assign mux_out = sel ? in1: in0;
endmodule

// Test Plan for Datapath Unit:
// Demonstrate action of Load_regs
// R1 gets data, R2 gets all ones
// Demonstrate action of Incr_R2
// Demonstrate action of Add_shift and detect Zero

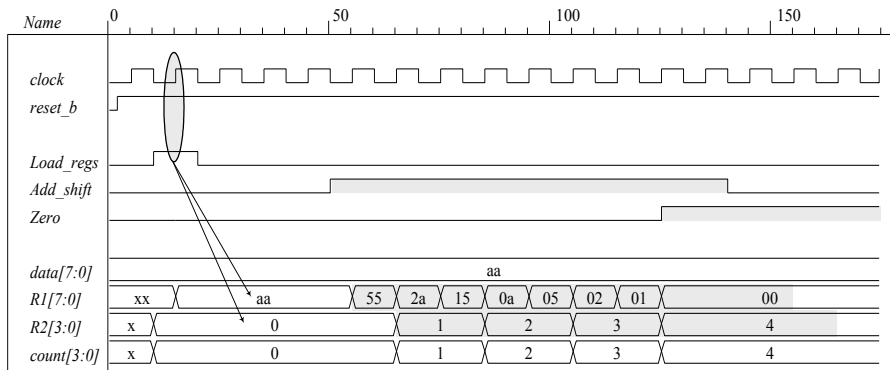
// Test bench for datapath

module t_Datapath_Unit
#(parameter dp_width = 8, R2_width = 4)
();
wire [R2_width -1: 0] count;
wire Zero;
reg [dp_width -1: 0] data;
reg Load_regs, Add_shift, clock, reset_b;

Datapath_2_STR M0 (count, Zero, data, Load_regs, Add_shift, clock, reset_b);

initial #250 $finish;
initial begin clock = 0; forever #5 clock = ~clock; end
initial begin reset_b = 0; #2 reset_b = 1; end
initial fork
 data = 8'haa;
 Load_regs = 0;
 Add_shift = 0;
 #10 Load_regs = 1;
 #20 Load_regs = 0;
 #50 Add_shift = 1;
 #140 Add_shift = 0;
join
endmodule

```



```
// Integrated system
```

```
module Count_Ones_2_Gates_1Hot_STR
(parameter dp_width = 8, R2_width = 4)
(
 output [R2_width - 1: 0] count,
 input [dp_width - 1: 0] data,
 input Start, clock, reset_b
);
 wire Load_regs, Add_shift, Zero;
 Controller_2_Gates_1Hot M0 (Ready, Load_regs, Add_shift, Start, Zero, clock, reset_b);
 Datapath_2_STR M1 (count, Zero, data, Load_regs, Add_shift, clock, reset_b);
endmodule
```

```
// Test plan for integrated system
// Test for data values of 8'haa, 8'h00, 8'hff.
```

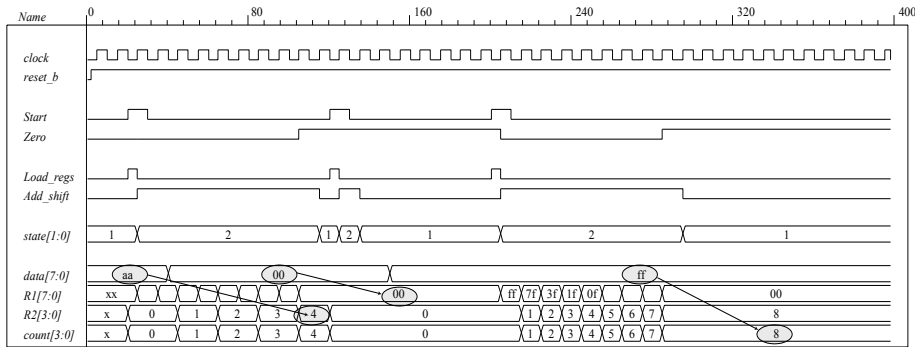
```
// Test bench for integrated system
```

```
module t_Count_Ones_2_Gates_1Hot_STR ();
 parameter dp_width = 8, R2_width = 4;
 wire [R2_width - 1: 0] count;
 reg [dp_width - 1: 0] data;
 reg Start, clock, reset_b;
 wire [1: 0] state = {M0.M0.T1, M0.M0.T0};

 Count_Ones_2_Gates_1Hot_STR M0 (count, data, Start, clock, reset_b);
```

```
 initial #700 $finish;
 initial begin clock = 0; forever #5 clock = ~clock; end
 initial begin reset_b = 0; #2 reset_b = 1; end
 initial fork
 data = 8'haa; // Expect count = 4
 Start = 0;
 #20 Start = 1;
 #30 Start = 0;
 #40 data = 8'b00; // Expect count = 0
 #120 Start = 1;
 #130 Start = 0;
 #150 data = 8'hff; // Expect count = 8
 #200 Start = 1;
 #210 Start = 0;
 join
endmodule
```





## 8.38

```

module Prob_8_38 (
output reg [7: 0] Sum,
output reg Car_Bor,
input [7: 0] Data_A, Data_B;
reg [7: 0] Reg_A, Reg_B;

always @ (Data_A, Data_B)
 case ({Data_A[7], Data_B[7]})
 2'b00, 2'b11: begin // ++, --
 {Car_Bor, Sum[6: 0]} = Data_A[6: 0] + Data_B[6: 0];
 Sum[7] = Data_A[7];
 end

 default: if (Data_A[6: 0] >= Data_B[6: 0]) begin // +-, -+
 {Car_Bor, Sum[6: 0]} = Data_A[6: 0] - Data_B[6: 0];
 Sum[7] = Data_A[7];
 end
 else begin
 {Car_Bor, Sum[6: 0]} = Data_B[6: 0] - Data_A[6: 0];
 Sum[7] = Data_B[7];
 end
 endcase
endmodule

module t_Prob_8_38 ();
wire [7: 0] Sum;
wire Car_Bor;
reg [7: 0] Data_A, Data_B;
wire [6: 0] Mag_A, Mag_B;
assign Mag_A = M0.Data_A[6: 0]; // Hierarchical dereferencing
assign Mag_B = M0.Data_B[6: 0];
wire Sign_A = M0.Data_A[7];
wire Sign_B = M0.Data_B[7];
wire Sign = Sum[7];
wire [7: 0] Mag = Sum[6: 0];

 Prob_8_38 M0 (Sum, Car_Bor, Data_A, Data_B);

initial #650 $finish;

```

## initial fork

```

// Addition // A B
#0 begin Data_A = {1'b0, 7'd25}; Data_B = {1'b0, 7'd10}; end //+25, +10
#40 begin Data_A = {1'b1, 7'd25}; Data_B = {1'b1, 7'd10}; end // -25, -10
#80 begin Data_A = {1'b1, 7'd25}; Data_B = {1'b0, 7'd10}; end // -25, +10
#120 begin Data_A = {1'b0, 7'd25}; Data_B = {1'b1, 7'd10}; end // 25, -10
// B A
#160 begin Data_B = {1'b0, 7'd25}; Data_A = {1'b0, 7'd10}; end //+25, +10
#200 begin Data_B = {1'b1, 7'd25}; Data_A = {1'b1, 7'd10}; end // -25, -10

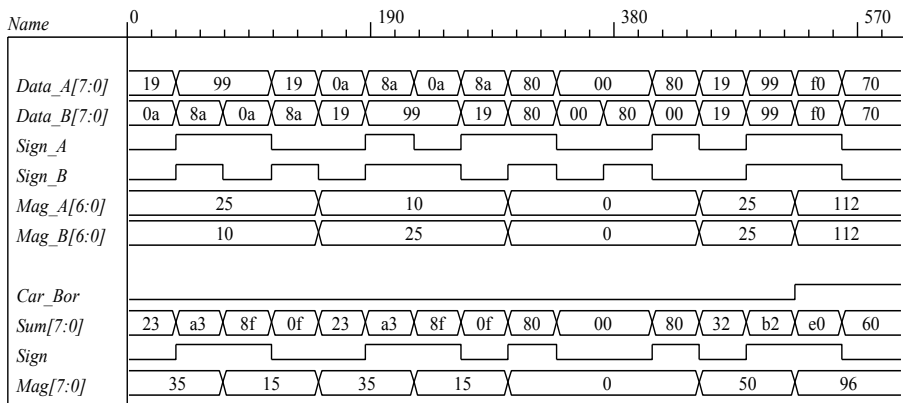
#240 begin Data_B = {1'b1, 7'd25}; Data_A = {1'b0, 7'd10}; end // -25, +10
#280 begin Data_B = {1'b0, 7'd25}; Data_A = {1'b1, 7'd10}; end // +25, -10
// Addition of matching numbers

#320 begin Data_A = {1'b1,7'd0}; Data_B = {1'b1,7'd0}; end // -0, -0
#360 begin Data_A = {1'b0,7'd0}; Data_B = {1'b0,7'd0}; end // +0, +0
#400 begin Data_A = {1'b0,7'd0}; Data_B = {1'b1,7'd0}; end // +0, -0
#440 begin Data_A = {1'b1,7'd0}; Data_B = {1'b0,7'd0}; end // -0, +0

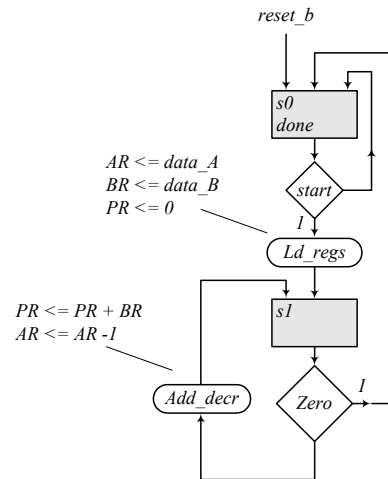
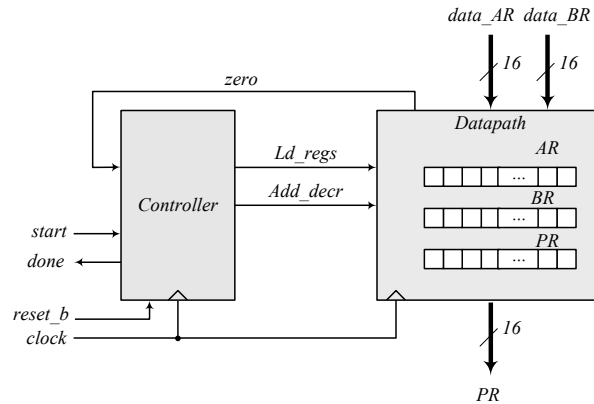
#480 begin Data_B = {1'b0, 7'd25}; Data_A = {1'b0, 7'd25}; end // matching +
#520 begin Data_B = {1'b1, 7'd25}; Data_A = {1'b1, 7'd25}; end // matching -

// Test of carry (negative numbers)
#560 begin Data_A = 8'hf0; Data_B = 8'hf0; end // carry --
// Test of carry (positive numbers)
#600 begin Data_A = 8'h70; Data_B = 8'h70; end // carry ++
join
endmodule

```



## 8.39 Block diagram and ASMD chart:



```

module Prob_8_39 (
 output [15: 0] PR, output done,
 input [7: 0] data_AR, data_BR, input start, clock, reset_b
);

```

```

 Controller_P8_39 M0 (done, Ld_regs, Add_decr, start, zero, clock, reset_b);

```

```

 Datapath_P8_39 M1 (PR, zero, data_AR, data_BR, Ld_regs, Add_decr, clock, reset_b);
endmodule

```

```

module Controller_P8_16 (output done, output reg Ld_regs, Add_decr, input start, zero, clock, reset_b);
 parameter s0 = 1'b0, s1 = 1'b1;
 reg state, next_state;
 assign done = (state == s0);

```

```

always @ (posedge clock, negedge reset_b)
 if (!reset_b) state <= s0; else state <= next_state;

always @ (state, start, zero) begin
 Ld_regs = 0;
 Add_decr = 0;
 case (state)
 s0: if (start) begin Ld_regs = 1; next_state = s1; end
 s1: if (zero) next_state = s0; else begin next_state = s1; Add_decr = 1; end
 default: next_state = s0;
 endcase
end
endmodule

module Datapath_P8_16 (
 output reg [15: 0] PR, output zero,
 input [7: 0] data_AR, data_BR, input Ld_regs, Add_decr, clock, reset_b
);

reg [7: 0] AR, BR;
assign zero = ~(| AR);

always @ (posedge clock, negedge reset_b)
 if (!reset_b) begin AR <= 8'b0; BR <= 8'b0; PR <= 16'b0; end
 else begin
 if (Ld_regs) begin AR <= data_AR; BR <= data_BR; PR <= 0; end
 else if (Add_decr) begin PR <= PR + BR; AR <= AR -1; end
 end
endmodule

// Test plan – Verify;
// Power-up reset
// Data is loaded correctly
// Control signals assert correctly
// Status signals assert correctly
// start is ignored while multiplying
// Multiplication is correct
// Recovery from reset on-the-fly

module t_Prob_P8_16;
wire done;
wire [15: 0] PR;
reg [7: 0] data_AR, data_BR;
reg start, clock, reset_b;

Prob_8_16 M0 (PR, done, data_AR, data_BR, start, clock, reset_b);

initial #500 $finish;
initial begin clock = 0; forever #5 clock = ~clock; end
initial fork
 reset_b = 0;
 #12 reset_b = 1;
 #40 reset_b = 0;
 #42 reset_b = 1;
 #90 reset_b = 1;
 #92 reset_b = 1;
join

```

```

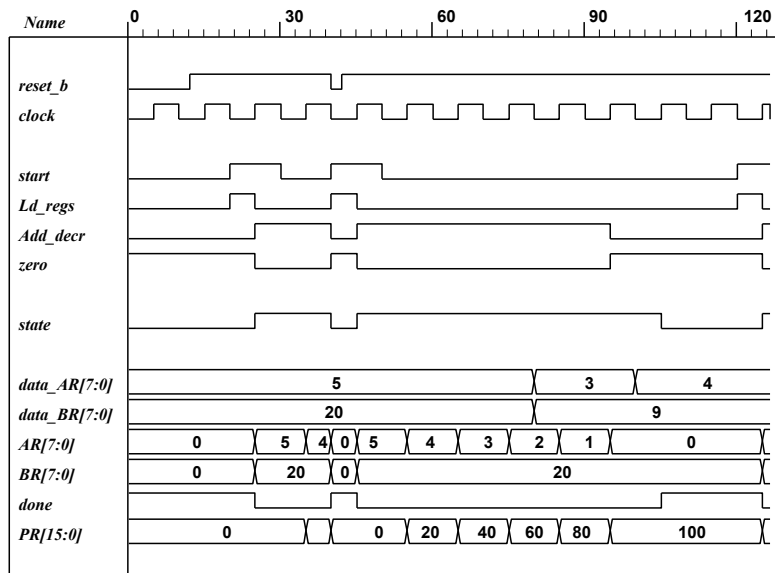
initial fork
#20 start = 1;
#30 start = 0;
#40 start = 1;
#50 start = 0;
#120 start = 1;
#120 start = 0;
join

initial fork
data_AR = 8'd5; // AR > 0
data_BR = 8'd20;

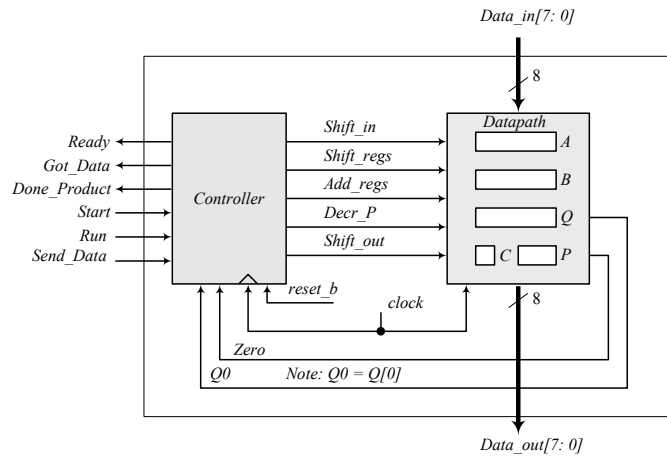
#80 data_AR = 8'd3;
#80 data_BR = 8'd9;

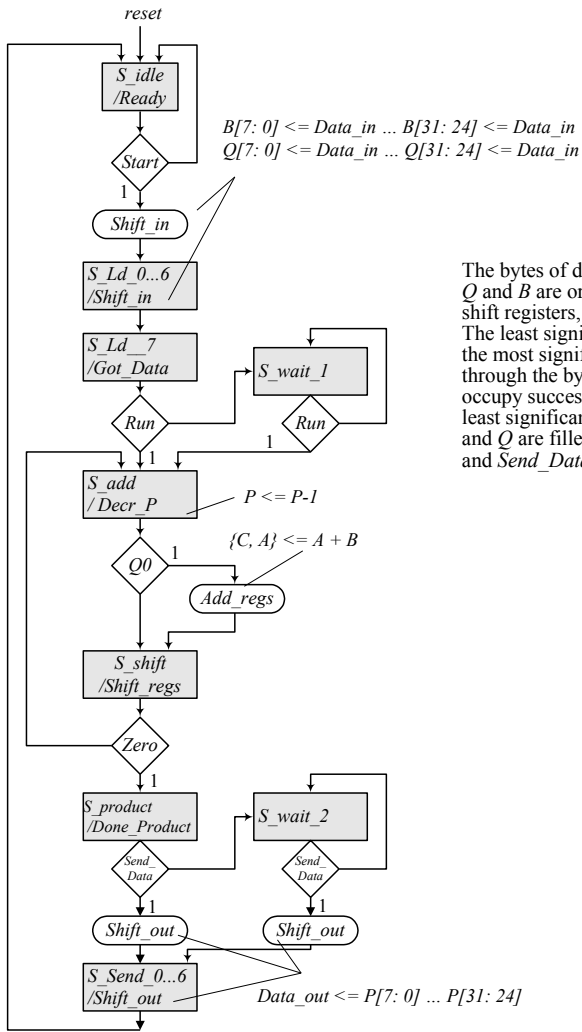
#100 data_AR = 8'd4;
#100 data_BR = 8'd9;
join
endmodule

```



8.40





The bytes of data will be read sequentially. Registers *Q* and *B* are organized to act as byte-wide parallel shift registers, taking 8 clock cycles to fill the pipe. The least significant byte of the multiplicand enters the most significant byte of *Q* and then moves through the bytes of *Q* to enter *B*, then proceed to occupy successive bytes of *B* until it occupies the least significant byte of *B*, and so forth until both *B* and *Q* are filled. Wait states are used to wait for *Run* and *Send\_Data*.

```

module Prob_8_40 (
 output [7:0] Data_out,
 output Ready, Got_Data, Done_Product,
 input [7:0] Data_in,
 input Start, Run, Send_Data, clock, reset_b
);

Controller M0 (
 Ready, Shift_in, Got_Data, Done_Product, Decr_P, Add_regs, Shift_regs, Shift_out,
 Start, Run, Send_Data, Zero, Q0, clock, reset_b
);
Datapath M1(Data_out, Q0, Zero, Data_in,
 Start, Shift_in, Decr_P, Add_regs, Shift_regs, Shift_out, clock
);
endmodule

module Controller (
 output reg Ready, Shift_in, Got_Data, Done_Product, Decr_P, Add_regs,
 Shift_regs, Shift_out,
 input Start, Run, Send_Data, Zero, Q0, clock, reset_b
);

parameter S_idle = 5'd20,
 S_Ld_0 = 5'd0,
 S_Ld_1 = 5'd1,
 S_Ld_2 = 5'd2,
 S_Ld_3 = 5'd3,
 S_Ld_4 = 5'd4,
 S_Ld_5 = 5'd5,
 S_Ld_6 = 5'd6,
 S_Ld_7 = 5'd7,
 S_wait_1 = 5'd8, // Wait state
 S_add = 5'd9,
 S_Shift = 5'd10,
 S_product = 5'd11,
 S_wait_2 = 5'd12, // Wait state
 S_Send_0 = 5'd13,
 S_Send_1 = 5'd14,
 S_Send_2 = 5'd15,
 S_Send_3 = 5'd16,
 S_Send_4 = 5'd17,
 S_Send_5 = 5'd18,
 S_Send_6 = 5'd19;

reg [4:0] state, next_state;

always @ (posedge clock, negedge reset_b)
 if (~reset_b) state <= S_idle; else state <= next_state;

always @ (state, Start, Run, Q0, Zero, Send_Data) begin
 next_state = S_idle; // Prevent accidental synthesis of latches
 Ready = 0;
 Shift_in = 0;
 Shift_regs = 0;
 Add_regs = 0;
 Decr_P = 0;
 Shift_out = 0;
 Got_Data = 0;
 Done_Product = 0;

```



```

case (state) // Assign by exception to default values
 S_idle: begin
 Ready = 1;
 if (Start) begin next_state = S_Ld_0; Shift_in = 1; end
 end
 S_Ld_0: begin next_state = S_Ld_1; Shift_in = 1; end
 S_Ld_1: begin next_state = S_Ld_2; Shift_in = 1; end
 S_Ld_2: begin next_state = S_Ld_3; Shift_in = 1; end
 S_Ld_3: begin next_state = S_Ld_4; Shift_in = 1; end
 S_Ld_4: begin next_state = S_Ld_5; Shift_in = 1; end
 S_Ld_5: begin next_state = S_Ld_6; Shift_in = 1; end
 S_Ld_6: begin next_state = S_Ld_7; Shift_in = 1; end
 S_Ld_7: begin Got_Data = 1;
 if (Run) next_state = S_add;
 else next_state = S_wait_1;
 end
 S_wait_1: if (Run) next_state = S_add; else next_state = S_wait_1;
 S_add: begin next_state = S_Shift; Decr_P = 1; if (Q0) Add_regs = 1; end
 S_Shift: begin Shift_regs = 1; if (Zero) next_state = S_product;
 else next_state = S_add; end
 S_product: begin
 Done_Product = 1;
 if (Send_Data) begin next_state = S_Send_0; Shift_out = 1; end
 else next_state = S_wait_2; end
 S_wait_2: if (Send_Data) begin next_state = S_Send_0; Shift_out = 1; end
 else next_state = S_wait_2;
 S_Send_0: begin next_state = S_Send_1; Shift_out = 1; end
 S_Send_1: begin next_state = S_Send_2; Shift_out = 1; end
 S_Send_2: begin next_state = S_Send_3; Shift_out = 1; end
 S_Send_3: begin next_state = S_Send_4; Shift_out = 1; end
 S_Send_4: begin next_state = S_Send_5; Shift_out = 1; end
 S_Send_5: begin next_state = S_Send_6; Shift_out = 1; end
 S_Send_6: begin next_state = S_idle; Shift_out = 1; end
 default: next_state = S_idle;
endcase
end
endmodule

module Datapath #(parameter dp_width = 32, P_width = 6) (
 output [7: 0] Data_out,
 output Q0, Zero,
 input [7: 0] Data_in,
 input Start, Shift_in, Decr_P, Add_regs, Shift_regs, Shift_out, clock
);
reg [dp_width - 1: 0] A, B, Q; // Sized for datapath
reg C;
reg [P_width - 1: 0] P;
assign Q0 = Q[0];
assign Zero = (P == 0); // counter is zero
assign Data_out = {C, A, Q};

always @ (posedge clock) begin
 if (Shift_in) begin
 P <= dp_width;
 A <= 0;
 C <= 0;
 B[7: 0] <= B[15: 8]; // Treat B and Q registers as a pipeline to load data bytes
 B[15: 8] <= B[23: 16];
 B[23: 16] <= B[31: 24];
 B[31: 24] <= Q[7: 0];
 Q[7: 0] <= Q[15: 8];
 Q[15: 8] <= Q[23: 16];
 end

```

```

 Q[23: 16] <= Q[31: 24];
 Q[31: 24] <= Data_in;
end
if (Add_regs) {C, A} <= A + B;
if (Shift_regs) {C, A, Q} <= {C, A, Q} >> 1;
if (Decr_P) P <= P - 1;
if (Shift_out) begin {C, A, Q} <= {C, A, Q} >> 8; end
end
endmodule

module t_Prob_8_40;
parameter dp_width = 32; // Width of datapath
wire [7: 0] Data_out;
wire Ready, Got_Data, Done_Product;
reg Start, Run, Send_Data, clock, reset_b;

integer Exp_Value;
reg Error;
wire [7: 0] Data_in;
reg [dp_width - 1: 0] Multiplicand, Multiplier;
reg [2*dp_width - 1: 0] Data_register; // For test patterns
assign Data_in = Data_register [7:0];
wire [2*dp_width - 1: 0] product;
assign product = {M0.M1.C, M0.M1.A, M0.M1.Q};
Prob_8_40 M0 (
 Data_out, Ready, Got_Data, Done_Product, Data_in, Start, Run, Send_Data, clock, reset_b
);

initial #2000 $finish;
initial begin clock = 0; forever #5 clock = ~clock; end
initial fork
 reset_b = 1;
 #2 reset_b = 0;
 #3 reset_b = 1;
join
initial fork
 Start = 0;
 Run = 0;
 Send_Data = 0;
 #10 Start = 1;
 #20 Start = 0;

 #50 Run = 1; // Ignored by controller
 #60 Run = 0;
 #120 Run = 1;
 #130 Run = 0;

 #830 Send_Data = 1;
 #840 Send_Data = 0;
join
// Test patterns for multiplication

initial begin
 Multiplicand = 32'h0f_00_00_aa;
 Multiplier = 32'h0a_00_00_ff;
 Data_register = {Multiplier, Multiplicand};
end

initial begin // Synchronize input data bytes
 @(posedge Start)
 repeat (15) begin

```

```

@ (negedge clock)
 Data_register <= Data_register >> 8;
end
end
endmodule

```

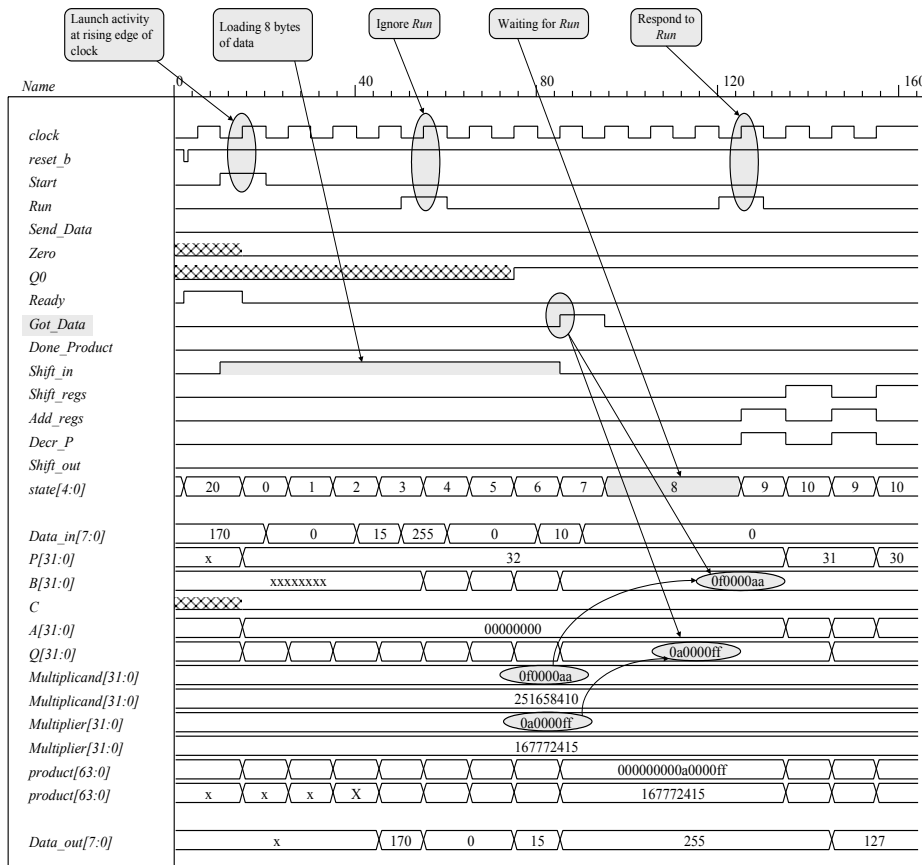
Simulation results: Loading multiplicand (0f0000aa<sub>h</sub>) and multiplier (0a0000ff<sub>h</sub>), 4 bytes each, in sequence, beginning with the least significant byte of the multiplicand.

Note: *Product* is not valid until *Done\_Product* asserts. The value of *Product* shown here (255<sub>10</sub>) reflects the contents of {*C*, *A*, *Q*} after the multiplier has been loaded, prior to multiplication.

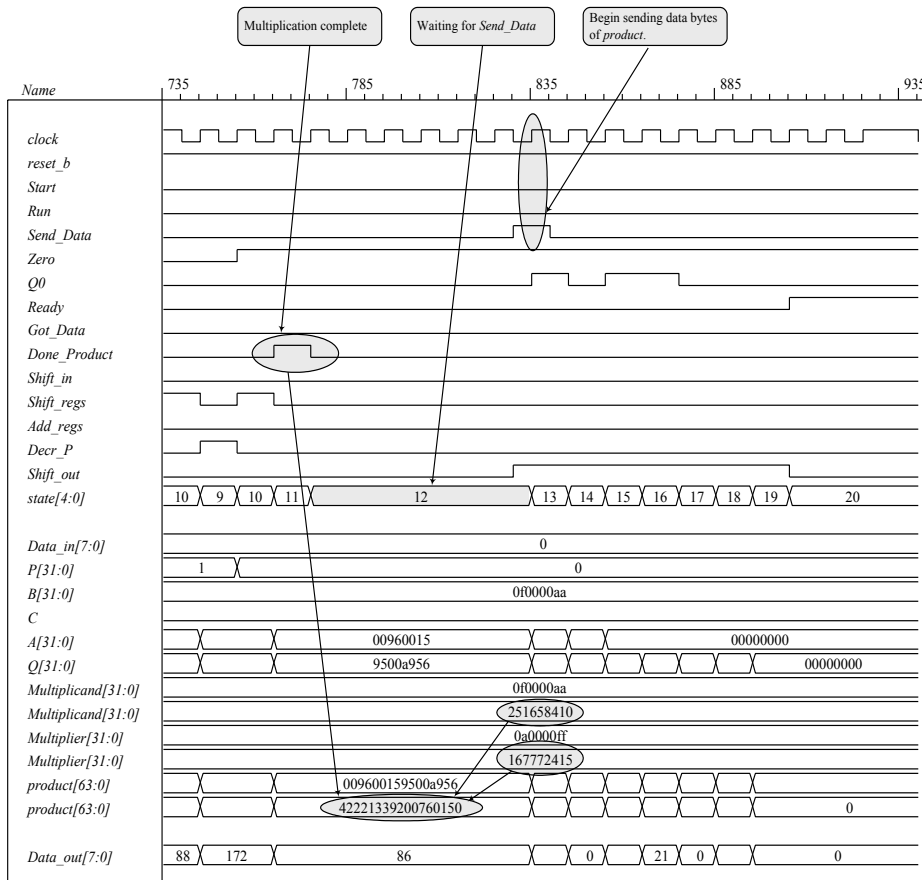
Note: The machine ignores a premature assertion of *Run*.

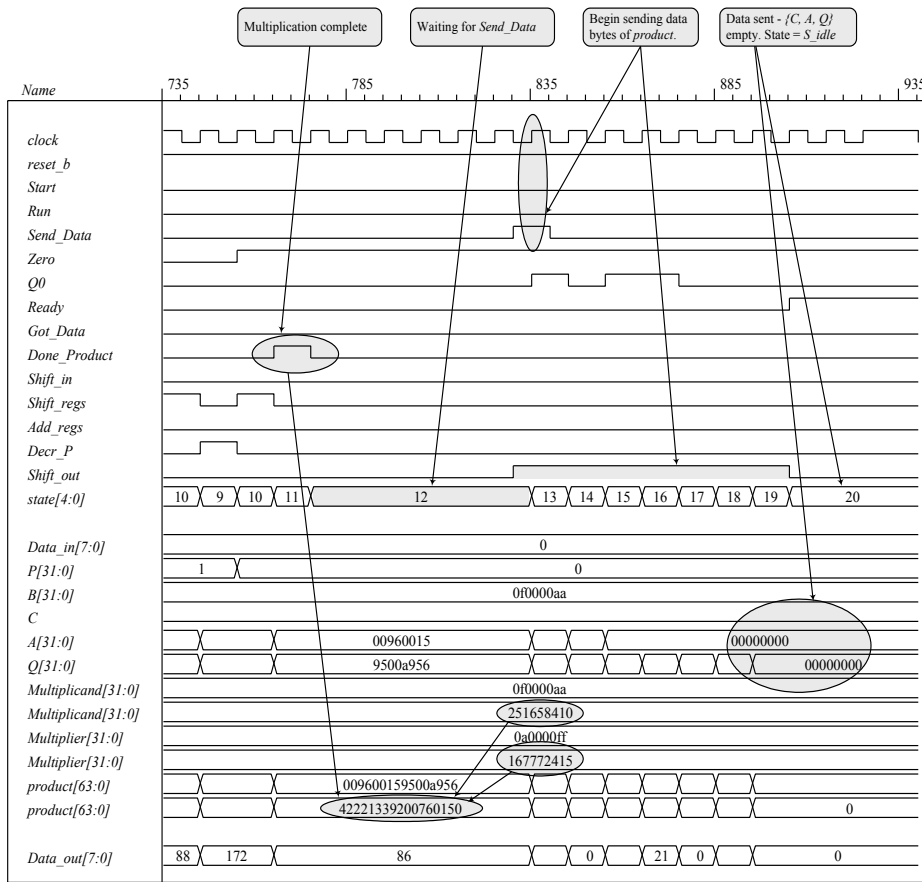
Note: *Got\_Data* asserts at the 8<sup>th</sup> clock after *Start* asserts, i.e., 8 clocks to load the data.

Note: *Product*, *Multiplier*, and *Multiplicand* are formed in the test bench.

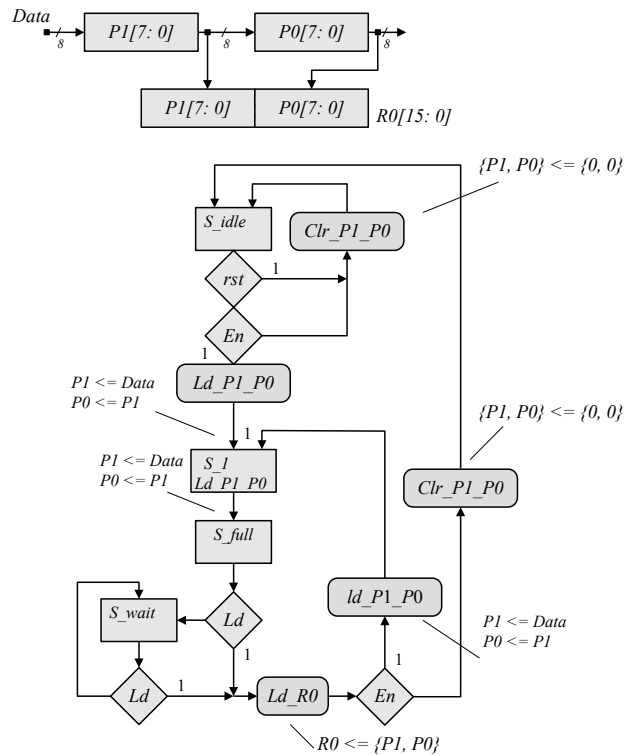


Note: Product (64 bits) is formed correctly





8.41 (a)



(b) HDL model, test bench and simulation results for datapath unit.

```

module Datapath_unit
(
 output reg [15: 0] R0, input [7: 0] Data, input Clr_P1_P0, Ld_P1_P0, Ld_R0, clock, rst);
 reg [7: 0] P1, P0;

 always @ (posedge clock) begin
 if (Clr_P1_P0) begin P1 <= 0; P0 <= 0; end
 if (Ld_P1_P0) begin P1 <= Data; P0 <= P1; end
 if (Ld_R0) R0 <= {P1, P0};
 end
endmodule

```

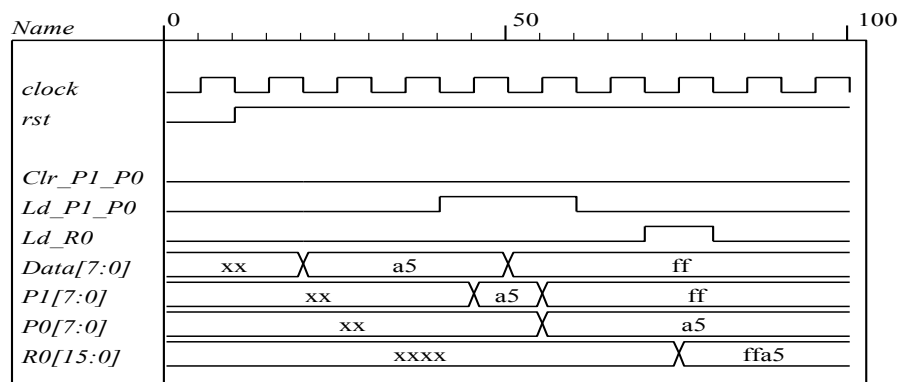
```

// Test bench for datapath
module t_Datapath_unit ();
 wire [15: 0] R0;
 reg [7: 0] Data;
 reg Clr_P1_P0, Ld_P1_P0, Ld_R0, clock, rst;

 Datapath_unit M0 (R0, Data, Clr_P1_P0, Ld_P1_P0, Ld_R0, clock, rst);

 initial #100 $finish;
 initial begin clock = 0; forever #5 clock = ~clock; end
 initial begin rst = 0; #2 rst = 1; end
 initial fork
 #20 Clr_P1_P0 = 0;
 #20 Ld_P1_P0 = 0;
 #20 Ld_R0 = 0;
 #20 Data = 8'ha5;
 #40 Ld_P1_P0 = 1;
 #50 Data = 8'hff;
 #60 Ld_P1_P0 = 0;
 #70 Ld_R0 = 1;
 #80 Ld_R0 = 0;
 join
endmodule

```



(c) HDL model, test bench, and simulation results for the control unit.

```
module Control_unit (output reg Clr_P1_P0, Ld_P1_P0, Ld_R0, input En, Ld, clock, rst);
parameter S_idle = 4'b0001, S_1 = 4'b0010, S_full = 4'b0100, S_wait = 4'b1000;
reg [3: 0] state, next_state;
```

```
always @ (posedge clock)
if (rst) state <= S_idle;
else state <= next_state;
```

```
always @ (state, Ld, En) begin
 Clr_P1_P0 = 0; // Assign by exception
 Ld_P1_P0 = 0;
 Ld_R0 = 0;
 next_state = S_idle;
case (state)
 S_idle: if (En) begin Ld_P1_P0 = 1; next_state = S_1; end
 else next_state = S_idle;

 S_1: begin Ld_P1_P0 = 1; next_state = S_full; end

 S_full: if (!Ld) next_state = S_wait;
 else begin
 Ld_R0 = 1;
 if (En) begin Ld_P1_P0 = 1; next_state = S_1; end
 else begin Clr_P1_P0 = 1; next_state = S_idle; end
 end

 S_wait: if (!Ld) next_state = S_wait;
 else begin
 Ld_R0 = 1;
 if (En) begin Ld_P1_P0 = 1; next_state = S_1; end
 else begin Clr_P1_P0 = 1; next_state = S_idle; end
 end

 default: next_state = S_idle;
endcase
end
endmodule
```

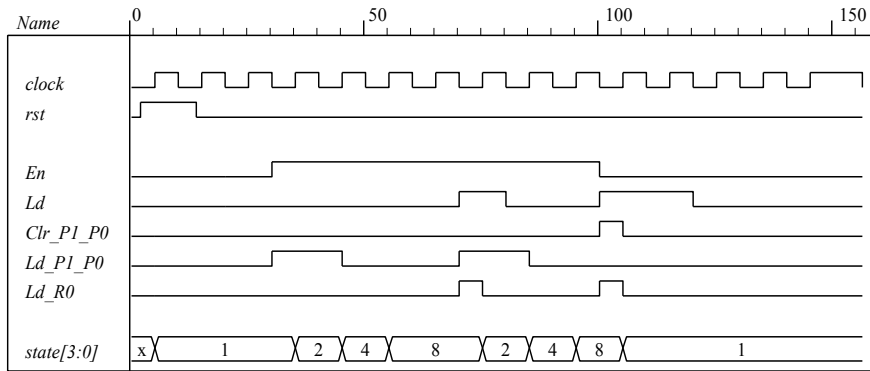
```
// Test bench for control unit
```

```
module t_Control_unit ();
wire Clr_P1_P0, Ld_P1_P0, Ld_R0;
reg En, Ld, clock, rst;

 Control_unit M0 (Clr_P1_P0, Ld_P1_P0, Ld_R0, En, Ld, clock, rst);

 initial #200 $finish;
 initial begin clock = 0; forever #5 clock = ~clock; end
 initial begin rst = 0; #2 rst = 1; #12 rst = 0; end
 initial fork
 #20 Ld = 0;
 #20 En = 0;
 #30 En = 1; // Drive to S_wait
 #70 Ld = 1; // Return to S_1 to S_full tp S_wait
 #80 Ld = 0;
 #100 Ld = 1; // Drive to S_idle
 #100 En = 0;
 #110 En = 0;
 #120 Ld = 0;
 join
endmodule
```





(c) Integrated system Note that the test bench for the integrated system uses the input stimuli from the test bench for the control unit and displays the waveforms produced by the test bench for the datapath unit.:

```
module Prob_8_41 (output [15: 0] R0, input [7: 0] Data, input En, Ld, clock, rst);
 wire Clr_P1_P0, Ld_P1_P0, Ld_R0;
```

```
 Control_unit M0 (Clr_P1_P0, Ld_P1_P0, Ld_R0, En, Ld, clock, rst);
 Datapath_unit M1 (R0, Data, Clr_P1_P0, Ld_P1_P0, Ld_R0, clock);
```

```
endmodule
```

```
module Control_unit (output reg Clr_P1_P0, Ld_P1_P0, Ld_R0, input En, Ld, clock, rst);
 parameter S_idle = 4'b0001, S_1 = 4'b0010, S_full = 4'b0100, S_wait = 4'b1000;
 reg [3: 0] state, next_state;
```

```
 always @ (posedge clock)
 if (rst) state <= S_idle;
 else state <= next_state;
```

```
 always @ (state, Ld, En) begin
 Clr_P1_P0 = 0; // Assign by exception
 Ld_P1_P0 = 0;
 Ld_R0 = 0;
 next_state = S_idle;
 case (state)
 S_idle: if (En) begin Ld_P1_P0 = 1; next_state = S_1; end
 else next_state = S_idle;

 S_1: begin Ld_P1_P0 = 1; next_state = S_full; end

 S_full: if (!Ld) next_state = S_wait;
 else begin
 Ld_R0 = 1;
 if (En) begin Ld_P1_P0 = 1; next_state = S_1; end
 else begin Clr_P1_P0 = 1; next_state = S_idle; end
 end

 S_wait: if (!Ld) next_state = S_wait;
 else begin
 Ld_R0 = 1;
 if (En) begin Ld_P1_P0 = 1; next_state = S_1; end
 end
 endcase
 end
```

```

 else begin Clr_P1_P0 = 1; next_state = S_idle; end
 end
 default: next_state = S_idle;
endcase
end
endmodule

module Datapath_unit
(
 output reg [15: 0] R0,
 input [7: 0] Data,
 input Clr_P1_P0,
 Ld_P1_P0,
 Ld_R0,
 clock);
 reg [7: 0] P1, P0;

 always @ (posedge clock) begin
 if (Clr_P1_P0) begin P1 <= 0; P0 <= 0; end
 if (Ld_P1_P0) begin P1 <= Data; P0 <= P1; end
 if (Ld_R0) R0 <= {P1, P0};
 end
endmodule

// Test bench for integrated system
module t_Prob_8_41 ();
 wire [15: 0] R0;
 reg [7: 0] Data;
 reg En, Ld, clock, rst;

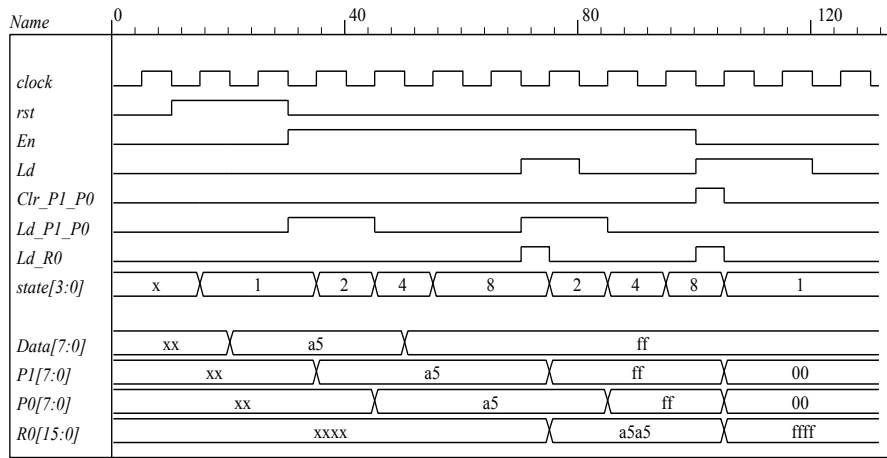
 Prob_8_41 M0 (R0, Data, En, Ld, clock, rst);

 initial #200 $finish;
 initial begin clock = 0; forever #5 clock = ~clock; end
 initial begin rst = 0; #10 rst = 1; #20 rst = 0; end
 initial fork

 #20 Data = 8'ha5;
 #50 Data = 8'hff;

 #20 Ld = 0;
 #20 En = 0;
 #30 En = 1; // Drive to S_wait
 #70 Ld = 1; // Return to S_1 to S_full tp S_wait
 #80 Ld = 0;
 #100 Ld = 1; // Drive to S_idle
 #100 En = 0;
 #110 En = 0;
 #120 Ld = 0;
 join
endmodule

```



## 8.42

```

module Datapath_BEH
 #(parameter dp_width = 8, R2_width = 4)
 (
 output [R2_width - 1: 0] count, output E, //output reg E,
 output Zero, input [dp_width - 1: 0] data,
 input Load_regs, Shift_left, Incr_R2, clock, reset_b);
 reg [dp_width - 1: 0] R1;
 reg [R2_width - 1: 0] R2;

 assign E = R1[dp_width - 1];

 assign count = R2;
 assign Zero = ~(| R1);
 always @ (posedge clock) begin
 // E <= R1[dp_width - 1] & Shift_left;
 // if (Load_regs) begin R1 <= data; R2 <= {R2_width{1'b1}}; end
 if (Load_regs) begin R1 <= data; R2 <= {R2_width{1'b0}}; end
 if (Shift_left) R1 <= R1 << 1;
 //if (Shift_left) {E, R1} <= {E, R1} << 1;
 if (Incr_R2) R2 <= R2 + 1;
 end
endmodule

module Controller_BEH (
 output Ready,
 output reg Load_regs,
 output Incr_R2, Shift_left,
 input Start, Zero, E, clock, reset_b
);
 parameter S_idle = 0, S_1 = 1, S_2 = 2, S_3 = 3;
 reg [1:0] state, next_state;

 assign Ready = (state == S_idle);
 assign Incr_R2 = (state == S_1);
 assign Shift_left = (state == S_2);

 always @ (posedge clock, negedge reset_b)
 if (reset_b == 0) state <= S_idle;
 else state <= next_state;

 always @ (state, Start, Zero, E) begin
 Load_regs = 0;
 case (state)
 S_idle: if (Start) begin Load_regs = 1; next_state = S_1; end
 else next_state = S_idle;
 S_1: if (Zero) next_state = S_idle; else next_state = S_2;

 S_2: next_state = S_3;
 //S_3: if (E) next_state = S_1; else next_state = S_2;
 S_3: if (E) next_state = S_1; else if (Zero) next_state = S_idle; else next_state = S_2;

 endcase
 end
endmodule

```

```

// Integrated system
module Count_Ones_BEH_BEH
(parameter dp_width = 8, R2_width = 4)
(
 output [R2_width -1: 0] count,
 input [dp_width -1: 0] data,
 input Start, clock, reset_b
);
 wire Load_regs, Incr_R2, Shift_left, Zero, E;
 Controller_BEH M0 (Ready, Load_regs, Incr_R2, Shift_left, Start, Zero, E, clock, reset_b);
 Datapath_BEH M1 (count, E, Zero, data, Load_regs, Shift_left, Incr_R2, clock, reset_b);
endmodule

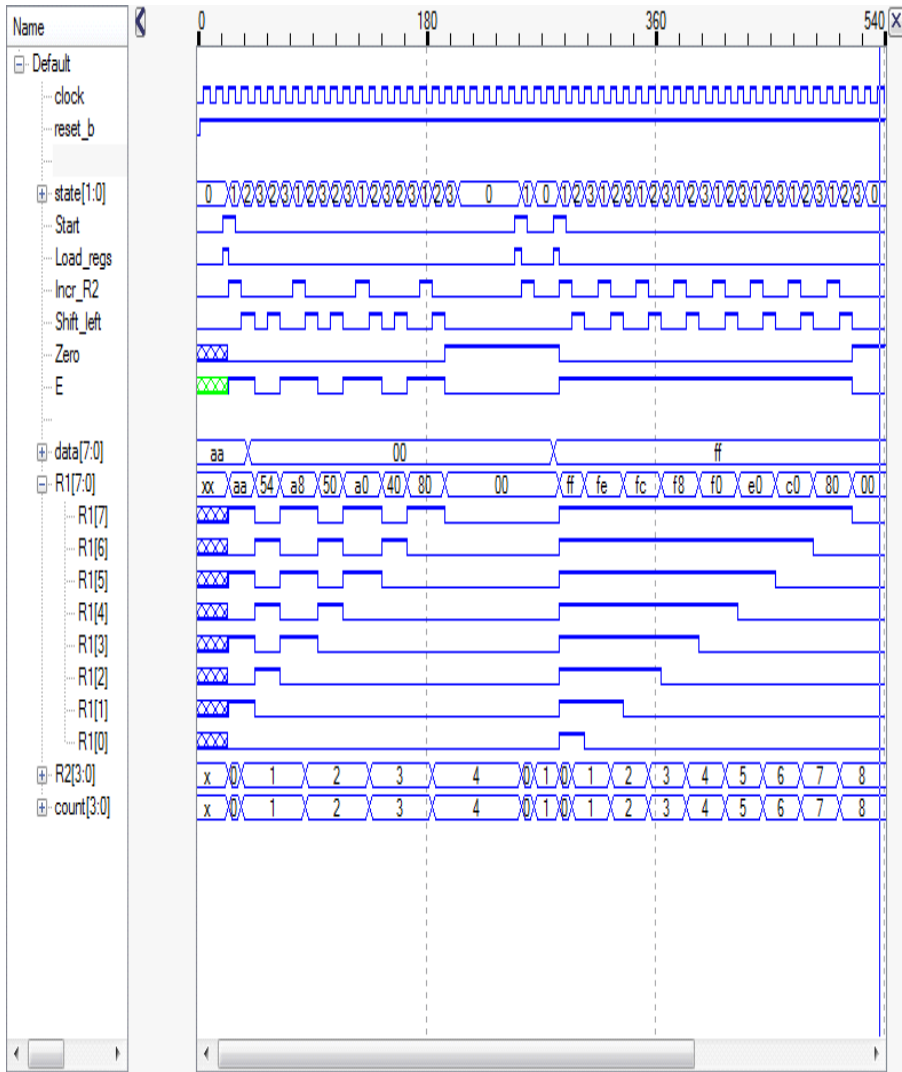
// Test plan for integrated system
// Test for data values of 8'haa, 8'h00, 8'hff.

// Test bench for integrated system

module t_count_Ones_BEH_BEH ();
 parameter dp_width = 8, R2_width = 4;
 wire [R2_width -1: 0] count;
 reg [dp_width -1: 0] data;
 reg Start, clock, reset_b;

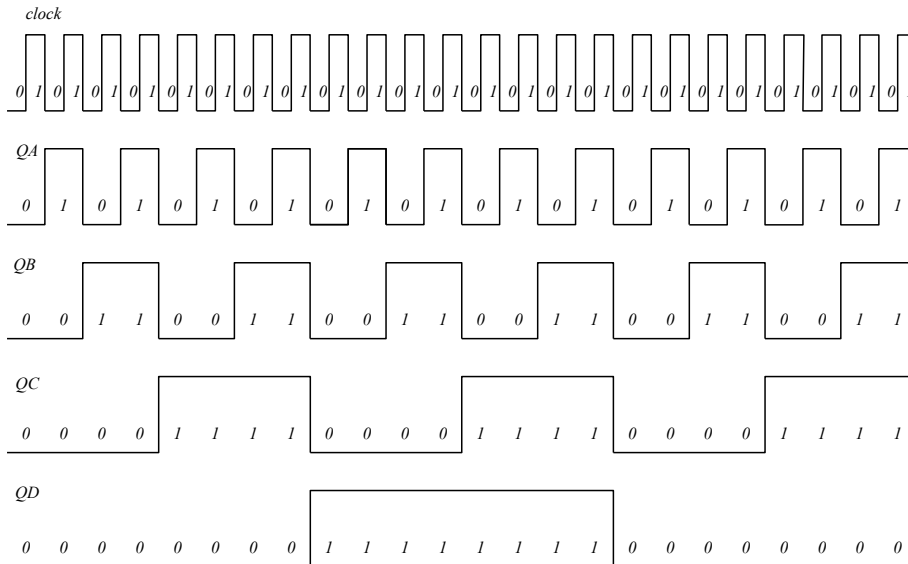
 Count_Ones_BEH_BEH M0 (count, data, Start, clock, reset_b);
 initial #700 $finish;
 initial begin clock = 0; forever #5 clock = ~clock; end
 initial bebgin reset_b = 0; #2 reset_b = 1; endb
 initial fork
 data = 8'haa; // Expect count = 4
 Start = 0;
 #20 Start = 1;
 #30 Start = 0;
 #40 data = 8'b00; // Expect count = 0
 #250 Start = 1;
 #260 Start = 0;
 #280 data = 8'hff;
 #280 Start = 1;
 #290 Start = 0;
 join
endmodule

```



## CHAPTER 9

### 9.1 Oscilloscope display:



BCD count: Oscilloscope displays from 0000 to 1001

Output pattern:

QA = alternate 1's and 0's

QB = Two 1's, two 0's, two 1's, four 0's

QC = Four 1's, six 0's

QD = Two 1's, eight 0's.

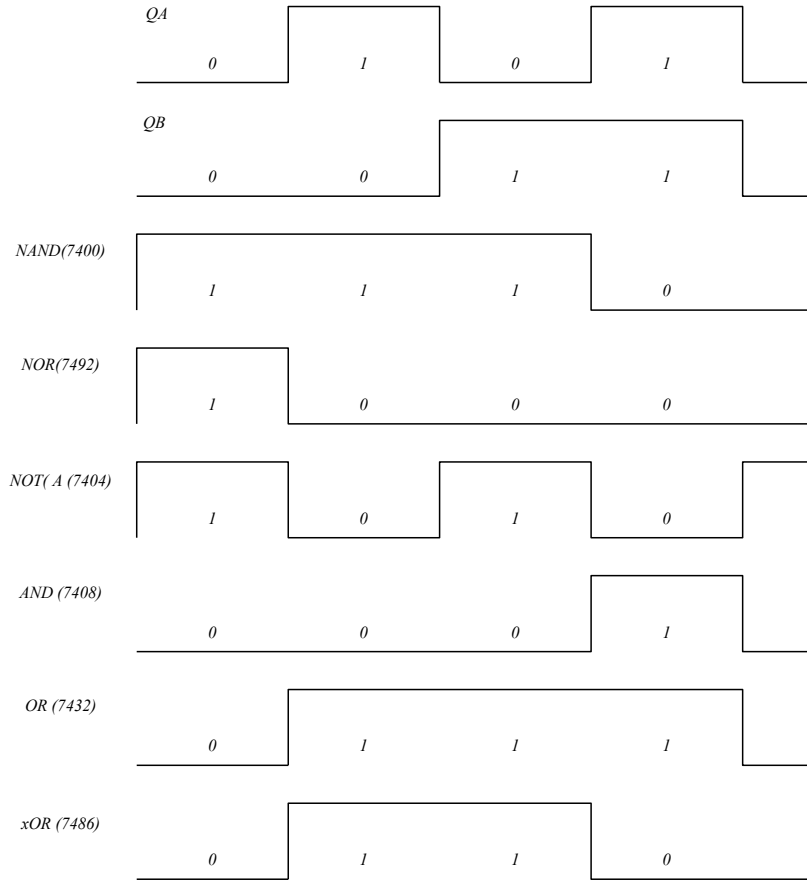
Other counts:

- (a) 0101 must reset at 0110 – connect QB to R1, QC to R2
- (b) 0111 must reset at 1000 – connect QD to both R1 and R2
- (c) 1011 must reset at 1100 – connect QC to R1, QD to R2

## 9.2 Truth table:

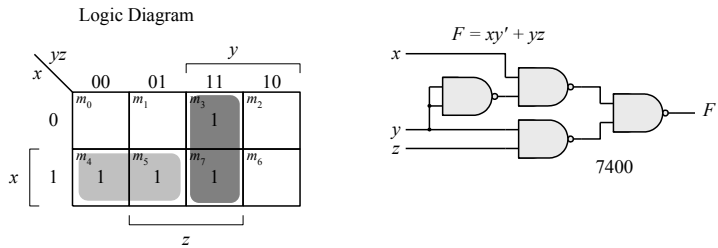
| Inputs |   | NAND | NOR | NOT(A) | AND | OR | XOR |
|--------|---|------|-----|--------|-----|----|-----|
| A      | B |      |     |        |     |    |     |
| 0      | 0 | 1    | 0   | 1      | 0   | 0  | 0   |
| 0      | 1 | 1    | 1   | 0      | 0   | 1  | 1   |
| 1      | 0 | 1    | 1   | 1      | 0   | 1  | 1   |
| 1      | 1 | 0    | 1   | 0      | 1   | 1  | 0   |

## Waveforms:

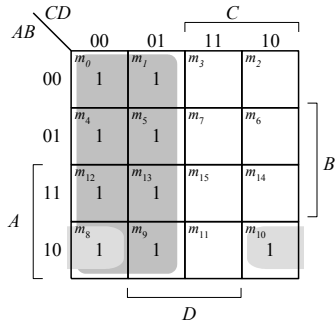




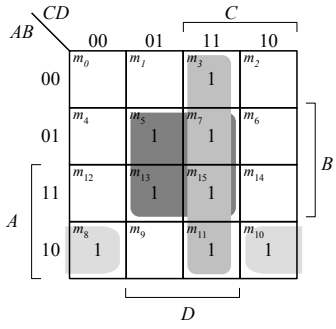
9.3



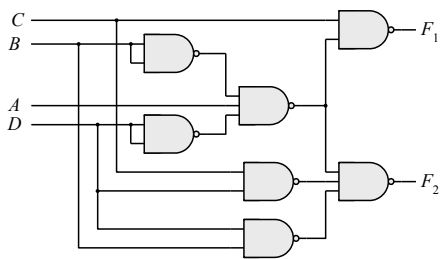
Boolean Functions:



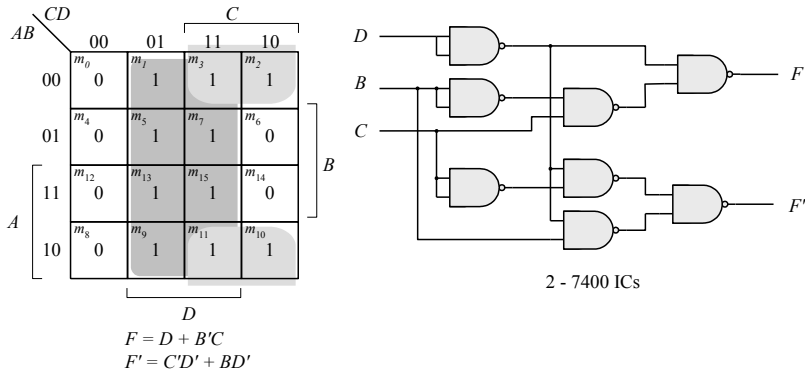
Boolean Functions:



2 ICs: 7400, 7410

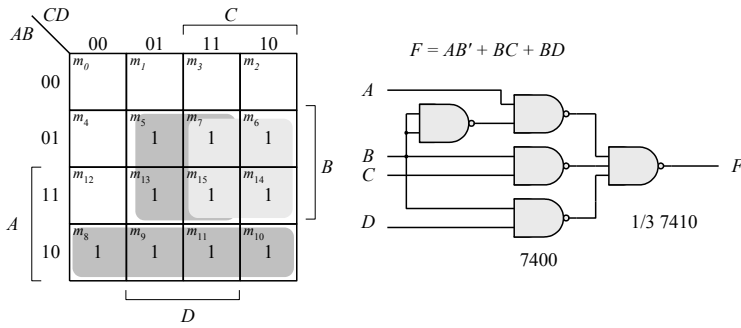


Complement:

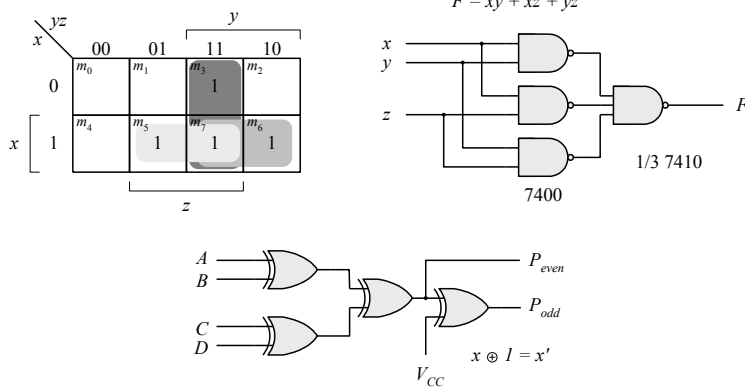


9.4

Design Example:



Majority Logic

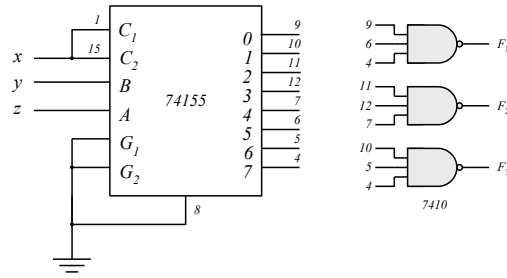


Decoder Implementation

$$F_1 = xz + x'y'z' = \Sigma(0, 5, 7)$$

$$F_2 = x'y + xy'z' = \Sigma(2, 3, 4)$$

$$F_3 = xy + x'y'z = \Sigma(1, 6, 7)$$



9.5 Gray code to Binary – See solution to Prob. 4.7.

9's complementer – See solution to Prob. 4.18.

$$w = A'B'C'$$

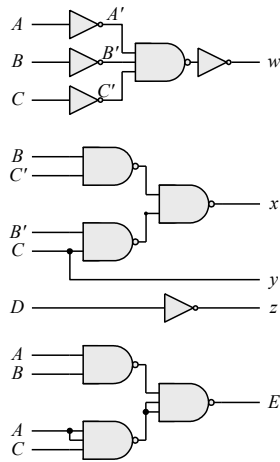
$$x = BC' + B'C$$

$$y = C$$

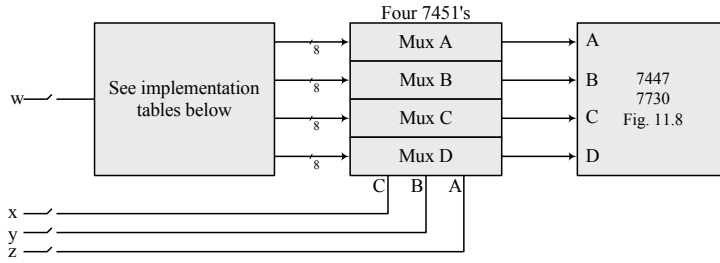
$$z = D'$$

$$E = AB + AC$$

3 ICs: 7400, 7404, 7410



9.6

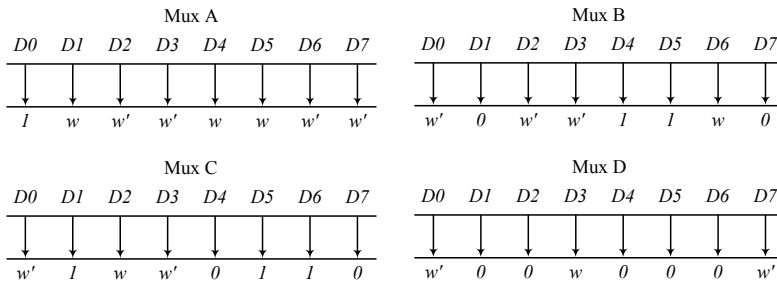


$$A = \sum(0, 2, 3, 6, 7, 8, 9, 12, 13)$$

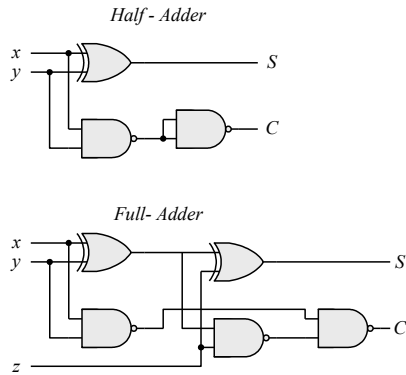
$$B = \sum(0, 2, 3, 4, 5, 12, 13, 14)$$

$$C = \sum(0, 1, 3, 5, 6, 9, 10, 13, 14)$$

$$D = \sum(0, 7, 11)$$

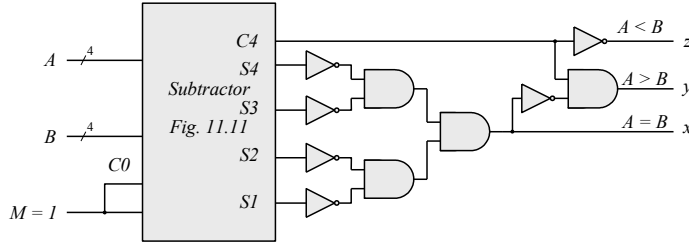


9.7



Parallel adder - See circuit of Fig. 9.10.  
 Adder-subtractor - See circuit of Fig. 9.11.

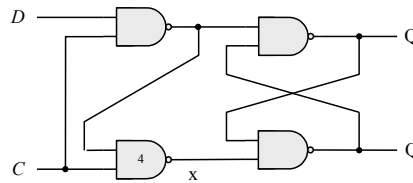
| Operation            | Inputs |      |      |                | Outputs |                |          |
|----------------------|--------|------|------|----------------|---------|----------------|----------|
|                      | M      | A    | B    | C <sub>0</sub> | S       | C <sub>4</sub> |          |
| 9 + 5 = 14           | 0      | 1001 | 0101 | 0              | 1110    | 0              | sum < 15 |
| 9 + 9 = 19 = 16 + 2  | 0      | 1001 | 1001 | 0              | 0010    | 1              | sum > 15 |
| 9 + 15 = 24 = 16 + 8 | 0      | 1001 | 1111 | 0              | 1000    | 1              | sum > 15 |
| 9 - 5 = 4            | 1      | 1001 | 0101 | 1              | 0100    | 1              | A > B    |
| 9 - 9 = 0            | 1      | 1001 | 1001 | 1              | 0000    | 1              | A = B    |
| 9 - 15 = -6          | 1      | 1001 | 1111 | 1              | 1010    | 0              | A < B    |



9.8 **SR Latch:** See Fig. 5.4.

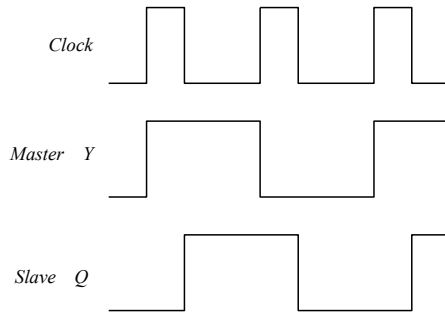
**D Latch:**

Let  $CP = C$ ,  $x = \text{output of gate 4}$ .  
 $x = [(DC)'C]' = (D'C)'$

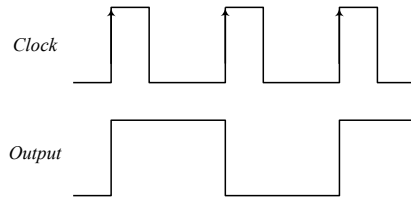


**Master-Slave D Flip-Flop:** The circuit is as in Fig. 5.9.

The oscilloscope display:



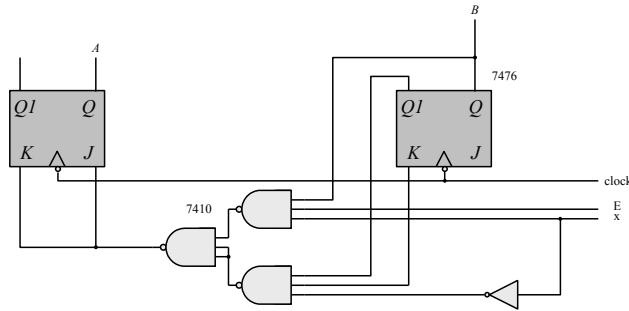
**Edge-Triggered D Flip-Flop:** Circuit is shown in Fig. 5.10.



**IC Flip-Flops:**

Connect all inputs to toggle switches, the clock to a pulser, and the outputs to indicator lamps.

**9.9 Up-Down Counter with Enable:**



$$J_B = K_B = E \text{ (Complement B when } E = 1)$$

$$J_A = K_A = E (Bx + B'x')$$

Complement A when  $E = 1$  and:

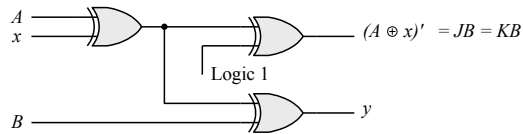
$B = 1$  when  $x = 1$  (Count up)

$B = 0$  when  $x = 0$  (Count down)

**State Diagram:**

$$J_A = B \quad J_B = Ax + A'x' = (A \oplus x)' \quad Y = A \oplus B \oplus x$$

$$K_A = B' \quad K_B = Ax + A'x' = (A \oplus x)'$$



Design of Counter: ABCD

$$J_A = K_A = B(CD) \quad 0000 \rightarrow 0101 \rightarrow 090$$

$$J_B = K_B = CD \quad 1000 \rightarrow 1001 \rightarrow 1010$$

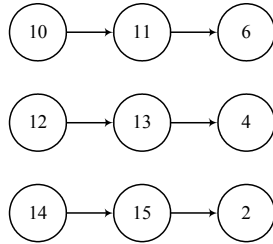
$$J_C = D \quad K_C = AD$$

$$J_D = K_D = 1$$

- 9.10** Ripple counter: See Fig. 6.8  
Down counter: Either take outputs from Q' outputs or connect complement Q' to next clock input.

Synchronous counter: See Fig. 6.12.

BCD counter: See solution to Prob. 6.19.  
 Unused states:



Binary counter with parallel load:

Connect QA and QD through a NAND gate to the load. See Fig. 6.15.

- 9.11** Ring counter:

See Fig. 6.17(a).  
 States of register:

| <i>QA</i> | <i>QB</i> | <i>QC</i> | <i>QD</i> |
|-----------|-----------|-----------|-----------|
| 1         | 0         | 0         | 0         |
| 0         | 1         | 0         | 0         |
| 0         | 0         | 1         | 0         |
| 0         | 0         | 0         | 1         |

Switch-tail ring counter: See Fig. 6.18(a). Connect (QD)' at pin 12 to the serial input at pin 4. State sequence as in Fig. 6.18(b).

Feedback shift register: Serial input =  $QC \oplus QD$  (Use 7486).

Sequence of states:

| <i>QA</i> | <i>QB</i> | <i>QC</i> | <i>QD</i> |
|-----------|-----------|-----------|-----------|
| 1         | 0         | 0         | 0         |
| 0         | 1         | 0         | 0         |
| 0         | 0         | 1         | 0         |
| 1         | 0         | 0         | 1         |
| 1         | 1         | 0         | 0         |

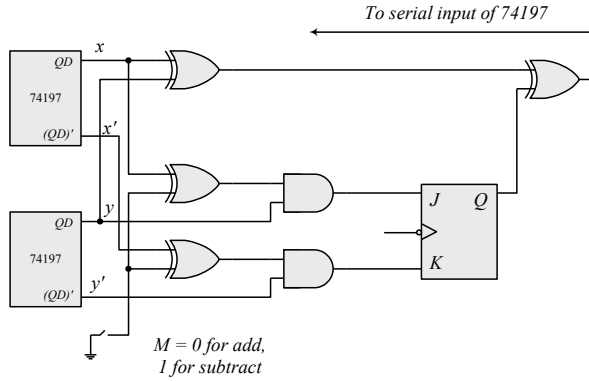
Bidirectional shift register with parallel load:

Function table:

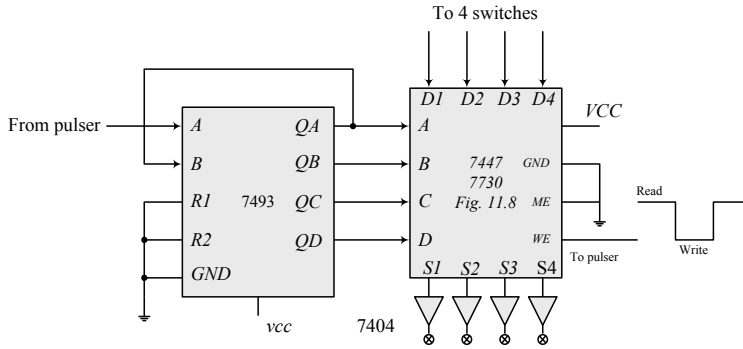
| Clear | 74195 |       | 74157  |        | Function                            |
|-------|-------|-------|--------|--------|-------------------------------------|
|       | Clock | SH/LD | STROBE | SELECT |                                     |
| 0     | x     | x     | x      | x      | Async clear                         |
| 1     | ↑     | 1     | x      | x      | Shift right ( $QA \rightarrow QB$ ) |
| 1     | ↑     | 0     | 0      | 1      | Shift left (Select B)*              |
| 1     | ↑     | 0     | 0      | 0      | Parallel Load (Select A)            |
| 1     | ↑     | 0     | 1      | x      | Synchronous clear                   |

\* B inputs come from QA-QD shifted by one position.

9.12

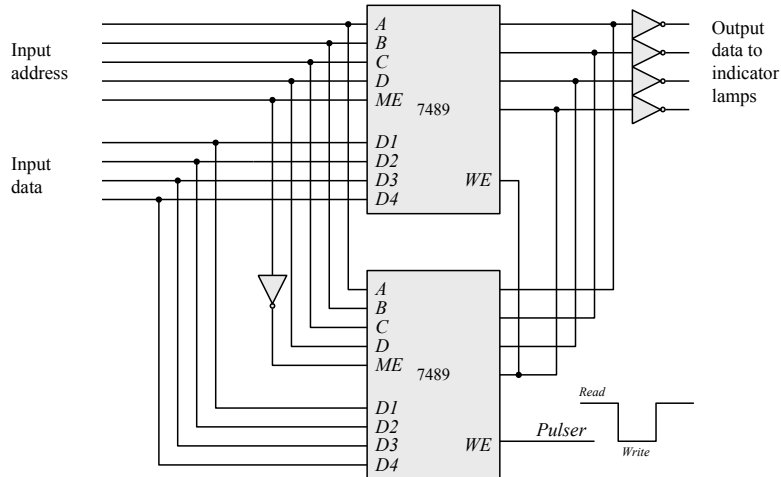


9.13 Testing the RAM:





Memory Expansion:



#### 9.14 Circuit Analysis – Answers to questions:

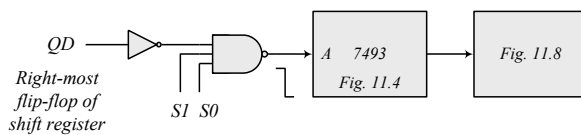
- 1) Resets to 0 the two 74194 ICs, the two D flip-flops, and the start SR latch. This makes  $SIS0 = 11$  (parallel load).
- 2) The start switch sets the SR latch to 1. The clock pulses load 0000\_0001 into the 8-bit register. If the start switch stays on, the register never clears to all 0s when  $SIS0 = 11$  (right-most  $QD$  stays on).
- 3) Pressing the pulser makes  $SIS0 = 10$  and the light shifts left. When  $QC$  becomes 1, the start SR latch is cleared to 0. When  $QA$  of the left 74194 becomes 1, it changes  $S1$  to 0 (through the  $PR$  input) and  $S0$  to 1 (through the  $CLR$  input. with  $SIS0 = 01$ , the single light shifts right).
- 4) If the pulser is pressed while the light is moving to the left or the right,  $SIS0$  becomes 11 and all 0s are loaded into the register in parallel. The light goes off.
- 5) When the right-most  $QD$  becomes a 1,  $SIS0$  changes from 01 (shift right) to 11 (parallel load). If the pulser is pressed before the next clock pulse,  $SIS0$  goes to 10 (shift left). If not pressed, an all 0s value is loaded into the register in parallel. (Provided the start switch is in the logic 1 position.)

#### Lamp Ping-Pong

Add a left pulser. Three wire changes to the D flip-flop on the left:

- 1) Connect the clock input of the flip-flop to the pulser.
- 2) Connect the D input to the  $QA$  of the left 74197
- 3) Connect the input of the inverter (that goes to  $PR$ ) to ground.

#### Counting the Losses



### 9.15 Clock Pulse Generator

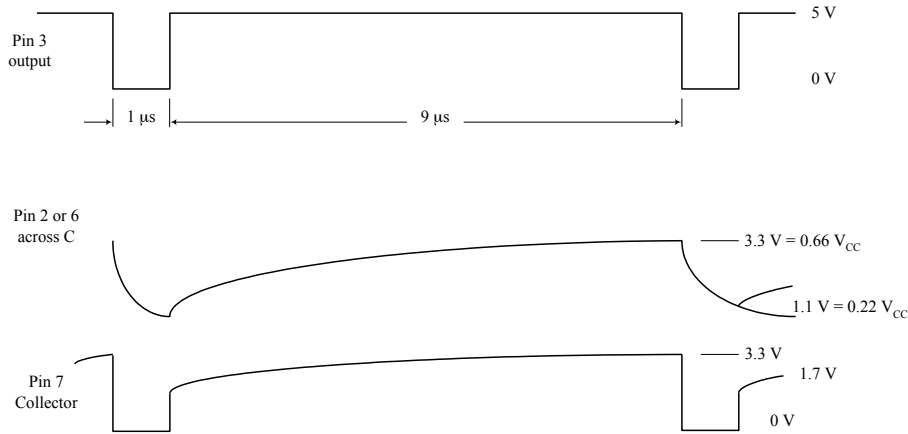
$$t_L = 0.693 R_B C = 10^{-6}$$

$$R_B = 10^{-6} / (0.693 \times 0.001 \times 10^{-6}) = 10^3 / 0.693 = 1.44 \text{ K}\Omega \text{ (Use } R_B = 1.5 \text{ K}\Omega)$$

$$t_H / t_L = 0.693 (R_A + R_B) C / (0.693 R_B C) = (R_A + R_B) / R_B = 9 / 1 = 9$$

$$9 R_B = R_A + R_B \quad R_A = 8 R_B = 8 \times 1.5 \text{ K}\Omega = 12 \text{ K}\Omega$$

**Oscilloscope Waveforms** (Actual results may be off by  $\pm 20\%$ .)



#### Variable Frequency Pulse Generator:

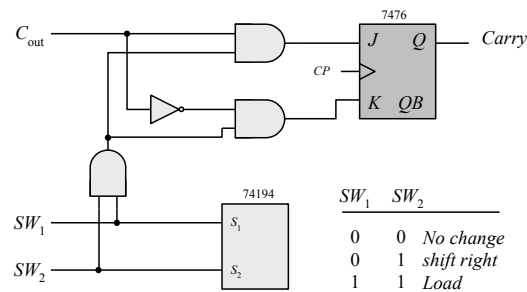
$$20 \text{ KHz: } 10^{-3} / 20 = 0.05 \times 10^{-3} = 50 \mu\text{s}$$

$$100 \text{ KHz: } 10^{-3} / 100 = 10^{-5} = 10 \mu\text{s}$$

$$t_H = 49 \mu\text{s: } (R_A + R_P + R_B) / R_B = 49 / 1 = 49$$

$$R_P = 48 R_B - R_A = 48 \times 1.5 - 11 = 60 \text{ K}\Omega$$

### 9.16 Control of Register



**Checking the Circuit:**

|         | <u>Carry</u> | <u>Register</u> |
|---------|--------------|-----------------|
| Initial | 0            | 0000            |
| + 0110  | 0            | 0110            |
| + 1110  | 1            | 0100            |
| + 1101  | 1            | 0001            |
| + 0101  | 0            | 0110            |
| + 0011  | 0            | 1001            |

**Circuit Operation:**

| <u>Address</u> | <u>Carry</u> | <u>RAM</u> |                |
|----------------|--------------|------------|----------------|
| 0              | 0            | 0110       | RAM Value      |
| 1              | 0            | 0110       | RAM + Register |
| 2              | 0            | 0011       | Shift Register |
| 3              |              | 1110       | RAM Value      |
| 4              | 1            | 0001       | RAM + Register |
| 5              | 1            | 1000       | SHIFT          |
| 6              |              | 1101       | RAM Value      |
| 7              | 1            | 0101       | RAM + Register |
| 8              | 1            | 1010       | SHIFT          |
| 9              |              | 0101       | RAM Value      |
| 10             | 0            | 1111       | RAM + Register |
| 11             | 0            | 0111       | SHIFT          |
| 12             |              | 0011       | RAM Value      |
| 13             | 0            | 1010       | RAM + Register |
| 14             | 0            | 0101       | SHIFT          |

**9.17 Multiplication Example (11 x 15 = 165)**

Multiplicand B = 1111

|           |                      | <u>C</u> | <u>A</u>    | <u>Q</u> | <u>P</u>  |
|-----------|----------------------|----------|-------------|----------|-----------|
| Initial:  | $T_1 = 1$            | 0        | 0000        | 1011     | 0000      |
| $T_2 = 1$ | Add B; $P \leq P+1$  |          | <u>1111</u> |          |           |
|           |                      | 0        | 1111        | 1011     | 0001      |
| $T_3 = 1$ | Shift CAQ            | 0        | 0111        | 1101     | 0001      |
| $T_2 = 1$ | Add B; $P \leq P+1$  |          | <u>1111</u> |          |           |
|           |                      | 1        | 0110        | 1101     | 0010      |
| $T_3 = 1$ | Shift CAQ            | 0        | 1011        | 0110     | 0010      |
| $T_2 = 1$ | $P \leq P+1$         | 0        | 1011        | 0110     | 0011      |
| $T_3 = 1$ | Shift CAQ            | 0        | 0101        | 1011     | 0011      |
| $T_2 = 1$ | Add B; $P \leq P+1$  |          | <u>1111</u> |          |           |
|           |                      | 1        | 0100        | 1011     | 0100      |
| $T_3 = 1$ | Shift CAQ            | 0        | 1010        | 0101     | 0100      |
| $T_0 = 1$ | (Because $P_C = 1$ ) |          | 1010        | 0101     | = Product |

**Data Processor Design**

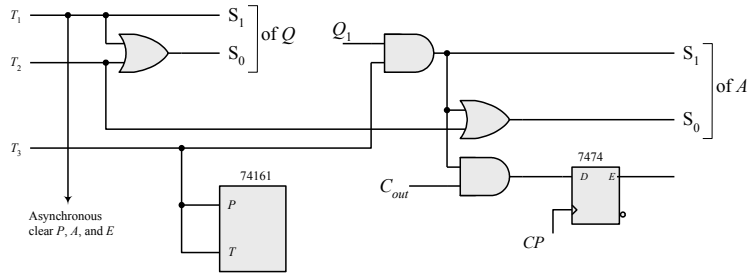
| Load Q | Load A   | Shift AQ | Register Q | Register A |
|--------|----------|----------|------------|------------|
| $T_1$  | $T_2Q_1$ | $T_3$    | $S_1 S_0$  | $S_1 S_0$  |
| 0      | 0        | 0        | 0 0        | 0 0        |
| 1      | 0        | 0        | 1 1        | 0 0        |
| 0      | 1        | 0        | 0 0        | 1 1        |
| 0      | 0        | 1        | 0 1        | 0 1        |

$$S_1(Q) = T_1$$

$$S_0(Q) = T_1 + T_3$$

$$S_1(A) = T_2Q_1$$

$$S_0(A) = T_2Q_1 + T_3$$

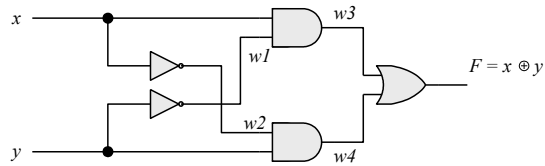


**Design of Control: See Section 8.8.**

## SOLUTIONS FOR SECTION 9.19

## Supplement to Experiment 2:

(a)



Initially, with  $xy = 00$ ,  $w1 = w2 = 1$ ,  $w3 = w4 = 0$  and  $F = 0$ .  $w1$  should change to 0 10ns after  $xy$  changes to 01.  $w4$  should change to 1 20 ns after  $xy$  changes to 01.  $F$  should change from 0 to 1 30 ns after  $w4$  changes from 0 to 1, i.e., 50 ns after  $xy$  changes from 00 to 01.  $w3$  should remain unchanged because  $x = 0$  for the entire simulation.

(b)

```

`timescale 1ns/1ps

module Prob_3_33 (output F, input x, y);
 wire w1, w2, w3, w4;

 and #20 (w3, x, w1);
 not #10 (w1, x);
 and #20 (w4, y, w2);
 not #10 (w2, y);
 or #30 (F, w3, w4); A

endmodule

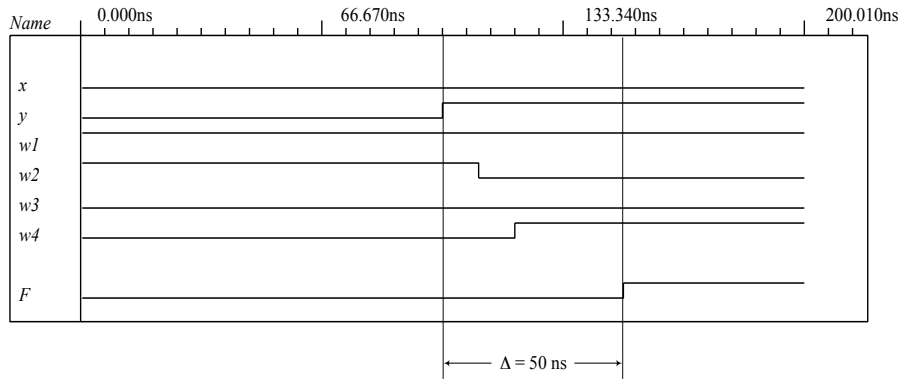
module t_Prob_3_33 ();
 reg x, y;
 wire F;

 Prob_3_33 M0 (F, x, y);

 initial #200 $finish;
 initial fork
 x = 0;
 y = 0;
 #100 y = 1;
 join
endmodule

```

(c) To simulate the circuit, it is assumed that the inputs  $xy = 00$  have been applied sufficiently long for the circuit to be stable before  $xy = 01$  is applied. The testbench sets  $xy = 00$  at  $t = 0$  ns, and  $xy = 1$  at  $t = 100$  ns. The simulator assumes that  $xy = 00$  has been applied long enough for the circuit to be in a stable state at  $t = 0$  ns, and shows  $F = 0$  as the value of the output at  $t = 0$ . The waveforms show the response to  $xy = 01$  applied at  $t = 100$  ns.



#### Supplement to Experiment 4:

(a)

```
// Gate-level description of circuit in Fig. 4-2
module Circuit_of_Fig_4_2 (
 output F1, F2,
 input A, B, C);
 wire T1, T2, T3, F2_not, E1, E2, E3;
 orG1 (T1, A, B, C);
 and G2 (T2, A, B, C);
 and G3 (E1, A, B);
 and G4 (E2, A, C);
 and G5 (E3, B, C);
 orG6 (F2, E1, E2, E3);
 not G7 (F2_not, F2);
 and G8 (T3, T1, F2_not);
 orG9 (F1, T2, T3);
endmodule

module t_Circuit_of_Fig_4_2;
 reg [2:0] D;
 wire F1, F2;
 parameter stop_time = 100;

 Circuit_of_Fig_4_2 M1 (F1, F2, D[2], D[1], D[0]);

 initial # stop_time $finish;
 initial begin // Stimulus generator
 D = 3'b000;
 repeat (7)
 #10 D = D + 1'b1;
 end

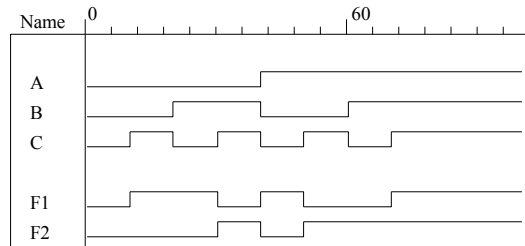
 initial begin
 $display ("A B C F1 F2");
 $monitor ("%b %b %b %b %b", D[2], D[1], D[0], F1, F2);
 end
endmodule
```

```

/*
A B C F1 F2
0 0 0 0 0
0 0 1 1 0
0 1 0 1 0
0 1 1 0 1
1 0 0 1 0
1 0 1 0 1
1 1 0 0 1
1 1 1 1 1
*/

```

The simulation results demonstrate the behavior of a full adder, with F1 = sum, and F2 – carry.



(b)

```
// 3-INPUT MAJORITY DETECTOR CIRCUIT.
```

```
// Circuit implements $F = xy + xz + yz$.
```

```
module Majority_Detector (output F, input x, y, z);
```

```
 wire w1, w2, w3;
```

```
 nand n1(w1, x, y),
```

```
 n2(w2, x, z),
```

```
 n3(w3, y, z),
```

```
 n4(F, w1, w2, w3);
```

```
endmodule
```

```
// Test bench
```

```
//Treating inputs to majority detector as a vector, reg [2:0]D; //D[2] = x, D[1] = y, D[0] = z. wire F;
```

```
module t_Majority_Detector ();
```

```
 wire F;
```

```
 reg [2: 0] D;
```

```
 wire x = D[2];
```

```
 wire y = D[1];
```

```
 wire z = D[0];
```

```
 Majority_Detector M0 (F, x, y, z);
```

```
 initial #100 $finish;
```

```
 initial $monitor ($time, "xyz = %b F = %b", D, F);
```

```

initial begin
 D = 0;
 repeat (7)
 #10 D = D + 1;
 end
endmodule

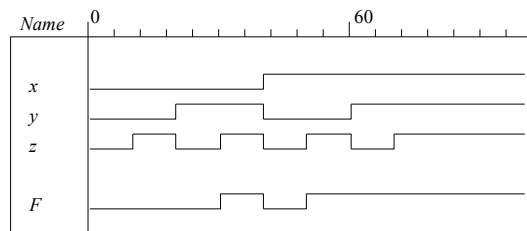
```

**Simulation results:**

```

0 xyz = 000 F = 0
10 xyz = 001 F = 0
20 xyz = 010 F = 0
30 xyz = 011 F = 1
40 xyz = 100 F = 0
50 xyz = 101 F = 1
60 xyz = 110 F = 1
70 xyz = 111 F = 1

```



**Supplement to Experiment 5:** See the solution to Prob. 4.42.

**Supplement to Experiment 7:**

```

(a)
//BEHAVIORAL DESCRIPTION OF 7483 4-BIT ADDER,
module Adder_7483 (
 output S4, S3, S2, S1, C4,
 input A4, A3, A2, A1, B4, B3, B2, B1, C0, VCC, GND
);
// Note: connect VCC and GND to supply1 and supply0 in the test bench
 wire [4: 1] sum;
 wire [4: 1] A = {A4, A3, A2, A1};
 wire [4: 1] B = {B4, B3, B2, B1};
 assign S4 = sum[4];
 assign S3 = sum[3];
 assign S2 = sum[2];
 assign S1 = sum[1];

 assign {C4, sum} = A + B + C0;
endmodule

```



```

module t_Adder_7483 ();
 wire S4, S3, S2, S1, C4;
 wire A4, A3, A2, A1, B4, B3, B2, B1;
 reg C0;
 supply1 VCC;
 supply0 GND;
 reg [4:1] A, B;
 assign A4 = A[4];
 assign A3 = A[3];
 assign A2 = A[2];
 assign A1 = A[1];
 assign B4 = B[4];
 assign B3 = B[3];
 assign B2 = B[2];
 assign B1 = B[1];

```

```

Adder_7483 M0 (S4, S3, S2, S1, C4, A4, A3, A2, A1, B4, B3, B2, B1, C0, VCC, GND);

```

```

initial #2600 $finish;
initial begin
 A = 0; B = 0; C0 = 0;
 repeat (256) #5 {A, B} = {A, B} + 1;
 A = 0; B = 0; C0 = 1;
 repeat (256) #5 {A, B} = {A, B} + 1;
end
endmodule

```

(b)

```

module Supp_9_17b (output [4: 1] S, output carry, input [4: 1] A, B, input M, VCC, GND);
 wire B4, B3, B2, B1;
 xor (B4, M, B[4]);
 xor (B3, M, B[3]);
 xor (B2, M, B[2]);
 xor (B1, M, B[1]);
 Adder_7483 M0 (S[4], S[3], S[2], S[1], carry, A[4], A[3], A[2], A[1], B4, B3, B2, B1, M, VCC, GND);
endmodule

```

```

module Adder_7483 (
 output S4, S3, S2, S1, C4,
 input A4, A3, A2, A1, B4, B3, B2, B1, C0, VCC, GND
);
// Note: connect VCC and GND to supply1 and supply0 in the test bench
wire [4: 1] sum;
wire [4: 1] A = {A4, A3, A2, A1};
wire [4: 1] B = {B4, B3, B2, B1};
assign S4 = sum[4];
assign S3 = sum[3];
assign S2 = sum[2];
assign S1 = sum[1];
assign {C4, sum} = A + B + C0;
endmodule

```

```

module t_Supp_9_17b ();
 wire [4: 1] S;
 wire carry;
 reg C0;
 reg [4: 1] A, B;
 reg M;
 supply1 VCC;
 supply0 GND;

 Supp_9_17b M0 (S, carry, A, B, M, VCC, GND);
 initial #2600 $finish;
 initial begin
 A = 0; B = 0; M = 0;
 repeat (256) #5 {A, B} = {A, B} + 1;
 A = 0; B = 0; M = 1;
 repeat (256) #5 {A, B} = {A, B} + 1;
 end
endmodule

```

(c), (d)

```

module supp_9_7c (output S3, S2, S1, S0, C, V, input A3, A2, A1, A0, B3, B2, B1, B0, M);
 wire [3: 0] Sum, B;
 assign S3 = Sum[3];
 assign S2 = Sum[2];
 assign S1 = Sum[1];
 assign S0 = Sum[0];
 wire [3:0] A = {A3, A2, A1, A0};
 xor(B[3], B3, M);
 xor(B[2], B2, M);
 xor(B[1], B1, M);
 xor(B[0], B0, M);
 xor (V, C, C3);
 ripple_carry_4_bit_adder M0 (Sum, C, C3, A, B, M);
endmodule

module t_supp_9_7c ();
 wire S3, S2, S1, S0, C, V;
 reg A3, A2, A1, A0, B3, B2, B1, B0, M;
 wire [3: 0] sum = {S3, S2, S1, S0};
 wire [3: 0] A = {A3, A2, A1, A0};
 wire [3: 0] B = {B3, B2, B1, B0};

 supp_9_7c M0 (S3, S2, S1, S0, C, V, A3, A2, A1, A0, B3, B2, B1, B0, M);

 initial #2600 $finish;
 initial begin
 {A3, A2, A1, A0, B3, B2, B1, B0} = 0; M = 0;
 repeat (256) #5 {A3, A2, A1, A0, B3, B2, B1, B0} = {A3, A2, A1, A0, B3, B2, B1, B0} + 1;
 {A3, A2, A1, A0, B3, B2, B1, B0} = 0; M = 1;
 repeat (256) #5 {A3, A2, A1, A0, B3, B2, B1, B0} = {A3, A2, A1, A0, B3, B2, B1, B0} + 1;
 end
endmodule

```

```

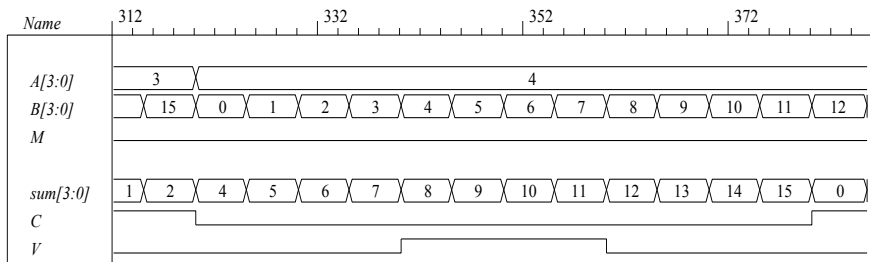
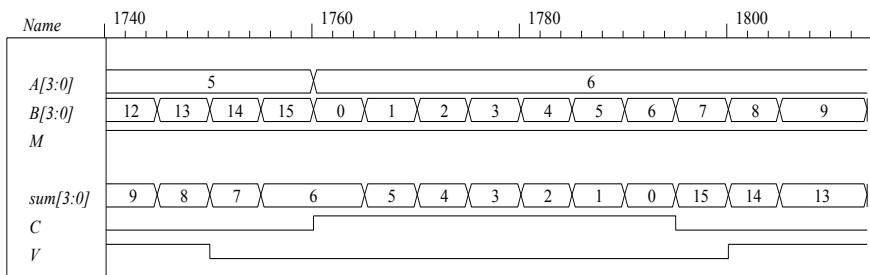
module half_adder (output S, C, input x, y); // Verilog 2001, 2005 syntax
// Instantiate primitive gates
 xor (S, x, y);
 and (C, x, y);
endmodule

module full_adder (output S, C, input x, y, z);
 wire S1, C1, C2;

// Instantiate half adders
 half_adder HA1 (S1, C1, x, y);
 half_adder HA2 (S, C2, S1, z);
 or G1 (C, C2, C1);
endmodule

// Modify for C3 output
module ripple_carry_4_bit_adder (output [3: 0] Sum, output C4, C3, input [3:0] A, B, input C0);
 wire C1, C2; // Intermediate carries
// Instantiate chain of full adders
 full_adder FA0 (Sum[0], C1, A[0], B[0], C0),
 FA1 (Sum[1], C2, A[1], B[1], C1),
 FA2 (Sum[2], C3, A[2], B[2], C2),
 FA3 (Sum[3], C4, A[3], B[3], C3);
endmodule

```

**Addition:****Subtraction:**

## Supplement to Experiment 8:

(a)

```

module Flip_flop_7474 (output reg Q, input D, CLK, preset, clear);
 always @ (posedge CLK, negedge preset , negedge clear)
 if (!preset) Q <= 1'b1;
 else if (!clear) Q <= 1'b0;
 else Q <= D;
endmodule

```

```

module t_Flip_flop_7474 ();
 wire Q;
 reg D, CLK, preset, clear;

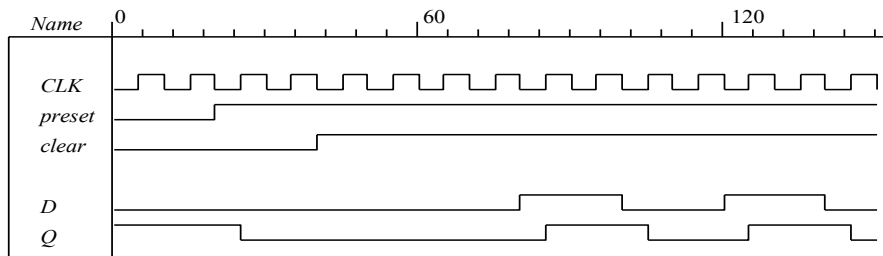
 Flip_flop_7474 M0 (Q, D, CLK, preset, clear);

 initial #150 $finish;
 initial begin CLK = 0; forever #5 CLK = ~CLK; end

 initial fork
 preset = 0; clear = 0;
 #20 preset = 1;
 #40 clear = 1;
 join

 initial begin D = 0; #60 forever #20 D = ~D; end
endmodule

```



(b)

```

//Solution to supplement Experiment 8(b)
//Behavioral description of a 7474 D flip-flop with Q_not
module Flip_Flop_7474_with_Q_not (output reg Q, Q_not, input D, CLK, Preset, Clear);

 always @ (posedge CLK, negedge Preset, negedge Clear)
 /* case ({Preset, Clear})
 2'b00: begin Q <= 1; Q_not <= 1; end
 2'b01: begin Q <= 1; Q_not <= 0; end
 2'b10: begin Q <= 0; Q_not <= 1; end
 2'b11: begin Q <= D; Q_not <= ~D; end

 // NOTE: Q_not <= ~Q will produce a pipeline effect and delay Q_not by one clock
 endcase*/
 if (Preset == 0) begin Q <= 1; if (Clear == 0) Q_not <= 1; else Q_not <= 0; end
 else if (Clear == 0) begin Q <= 0; Q_not <= 1; end
 else begin Q <= D; Q_not <= ~D; end

```

**endmodule**

// Note: this model will not work if Preset and Clear are // both brought low and then high again.

// A case statement for both Q and Q\_not is also OK.

**module** t\_Flip\_Flop\_7474\_with\_Q\_not ();

**wire** Q, Q\_not;

**reg** D, CLK, Preset, Clear;

Flip\_Flop\_7474\_with\_Q\_not M0 (Q, Q\_not, D, CLK, Preset, Clear);

**initial** #250 \$finish;

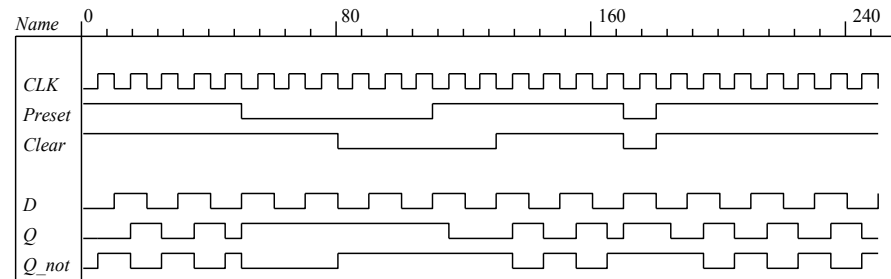
**initial begin** CLK = 0; **forever** #5 CLK = ~CLK; **end**

**initial fork**

Preset = 1; Clear = 1;

#50 Preset = 0;

#80 Clear =



#### Supplement to Experiment #9:

(a)

**module** Figure\_9\_9a (output reg y, input x, clock, reset\_b);

**reg** [1: 0] state, next\_state;

**parameter** S0 = 2'b00, S1 = 2'b01, S2 = 2'b10, S3 = 2'b11;

**always @ (posedge clock, negedge reset\_b) if (reset\_b == 0) state <= S0; else state <= next\_state;**

**always @ (state, x) begin**

y = 0;

**case** (state)

S0:if (x) **begin** next\_state = S0; y = 1; **end else begin** next\_state = S1; y = 0; **end**

S1:if (x) **begin** next\_state = S3; y = 0; **end else begin** next\_state = S2; y = 1; **end**

S2:if (x) **begin** next\_state = S1; y = 0; **end else begin** next\_state = S0; y = 1; **end**

S3:if (x) **begin** next\_state = S2; y = 1; **end else begin** next\_state = S3; y = 0; **end**

**endcase**

**end**

**endmodule**

**module** t\_Figure\_9\_9a ();

**wire** y;

**reg** x, clock, reset\_b;

Figure\_9\_9a M0 (y, x, clock, reset\_b);

**initial** #200 \$finish;

**initial begin** clock = 0; **forever** #5 clock = ~clock; **end**

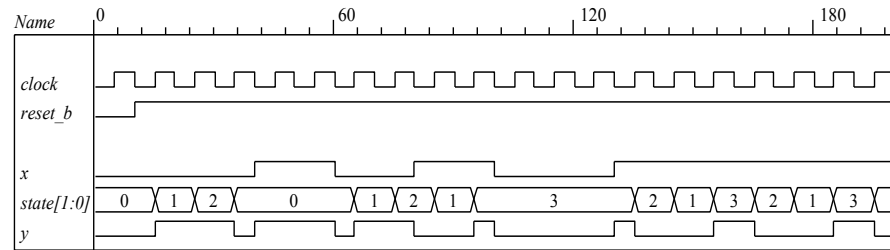
**initial fork**

reset\_b = 0;

```

x = 0; // S0. S1, S2 after release of reset_b
#10 reset_b = 1;
#40 x = 1; // Stay in S0
#60 x = 0; // S1, S2
#80 x = 1; // s1, S3,
#100 x = 0; // S3
#130 x = 1; // S2, S1, S3 cycle
join
endmodule

```



(b) The solution depends on the particular design.

(c, d)

Note: The HDL description of the state diagram produces outputs  $T0$ ,  $T1$ , and  $T2$ . Additional logic must form the signals that control the datapath unit ( $Load\_regs$ ,  $Incr\_P$ ,  $Add\_regs$ , and  $Shift\_regs$ ). An alternative controller that generates the control signals, rather than the states, as the outputs is given below too. It produces identical simulation results.

```

module Supp_9_9cd # (parameter dp_width = 5)
(
 output [2*dp_width - 1: 0] Product,
 output Ready,
 input [dp_width - 1: 0] Multiplicand, Multiplier,
 input Start, clock, reset_b
);
 wire Load_regs, Incr_P, Add_regs, Shift_regs, Done, Q0;

 Controller M0 (
 Ready, Load_regs, Incr_P, Add_regs, Shift_regs, Start, Done, Q0,
 clock, reset_b
);

 Datapath M1(Product, Q0, Done, Multiplicand, Multiplier,
 Start, Load_regs, Incr_P, Add_regs, Shift_regs, clock, reset_b);
endmodule

/* // This alternative controller directly produces the signals needed to control the datapath.
module Controller (
 output Ready,
 output reg Load_regs, Incr_P, Add_regs, Shift_regs,
 input Start, Done, Q0, clock, reset_b
);

 parameter S_idle = 3'b001, // one-hot code
 S_add = 3'b010,
 S_shift = 3'b100;
 reg [2: 0] state, next_state; // sized for one-hot
 assign Ready = (state == S_idle);

```

```

always @ (posedge clock, negedge reset_b)
 if (~reset_b) state <= S_idle; else state <= next_state;

always @ (state, Start, Q0, Done) begin
 next_state = S_idle;
 Load_regs = 0;
 Incr_P = 0;
 Add_regs = 0;
 Shift_regs = 0;
 case (state)
 S_idle: if (Start) begin next_state = S_add; Load_regs = 1; end
 S_add: begin next_state = S_shift; Incr_P = 1; if (Q0) Add_regs = 1; end
 S_shift: begin Shift_regs = 1;
 if (Done) next_state = S_idle;
 else next_state = S_add;
 end
 default: next_state = S_idle;
 endcase
end
endmodule
*/

// This controller has an embedded unit to generate T0, T1, and T2 and additional logic to form // // the
signals needed to control the datapath.

module Controller (
 output Ready, Load_regs, Incr_P, Add_regs, Shift_regs,
 input Start, Done, Q0, clock, reset_b
);

 State_Generator M0 (T0, T1, T2, Start, Done, Q0, clock, reset_b);
 assign Ready = T0;
 assign Load_regs = T0 && Start;
 assign Incr_P = T1;
 assign Add_regs = T1 && Q0;
 assign Shift_regs = T2;
endmodule

module State_Generator (output T0,T1, T2, input Start, Done, Q0, clock, reset_b);
 parameter S_idle = 3'b001, // one-hot code
 S_add = 3'b010,
 S_shift = 3'b100;
 reg [2: 0] state, next_state; // sized for one-hot
 assign T0 = (state == S_idle);
 assign T1 = (state == S_add);
 assign T2 = (state == S_shift);

 always @ (posedge clock, negedge reset_b)
 if (~reset_b) state <= S_idle; else state <= next_state;

```

```

always @ (state, Start, Q0, Done) begin
 next_state = S_idle;
 case (state)
 S_idle: if (Start) next_state = S_add;
 S_add: next_state = S_shift;
 S_shift: if (Done) next_state = S_idle; else next_state = S_add;
 default: next_state = S_idle;
 endcase
end
endmodule

module Datapath #(parameter dp_width = 5, BC_size = 3) (
 output [2*dp_width - 1: 0] Product, output Q0, output Done,
 input [dp_width - 1: 0] Multiplicand, Multiplier,
 input Start, Load_regs, Incr_P, Add_regs, Shift_regs, clock, reset_b
);
// Default configuration: 5-bit datapath
reg [dp_width - 1: 0] A, B, Q; // Sized for datapath
reg C;
reg [BC_size - 1: 0] P; // Bit counter

assign Q0 = Q[0];
assign Done = (P == dp_width); // Multiplier is exhausted
assign Product = {C, A, Q};
always @ (posedge clock, negedge reset_b)
if (reset_b == 0) begin // Added to this solution, but
 P <= 0; // not really necessary since Load_regs
 B <= 0; // initializes the datapath
 C <= 0;
 A <= 0;
 Q <= 0;
end
else begin
if (Load_regs) begin
 P <= 0;
 A <= 0;
 C <= 0;
 B <= Multiplicand;
 Q <= Multiplier;
end
if (Add_regs) {C, A} <= A + B;
if (Shift_regs) {C, A, Q} <= {C, A, Q} >> 1;
if (Incr_P) P <= P+1 ;
end
endmodule

module t_Supp_9_9cd;
 parameter dp_width = 5; // Width of datapath
 wire [2 * dp_width - 1: 0] Product;
 wire Ready;
 reg [dp_width - 1: 0] Multiplicand, Multiplier;
 reg Start, clock, reset_b;
 integer Exp_Value;
 reg Error;

 Supp_9_9cd M0(Product, Ready, Multiplicand, Multiplier, Start, clock, reset_b);

 initial #115000 $finish;
 initial begin clock = 0; #5 forever #5 clock = ~clock; end

```



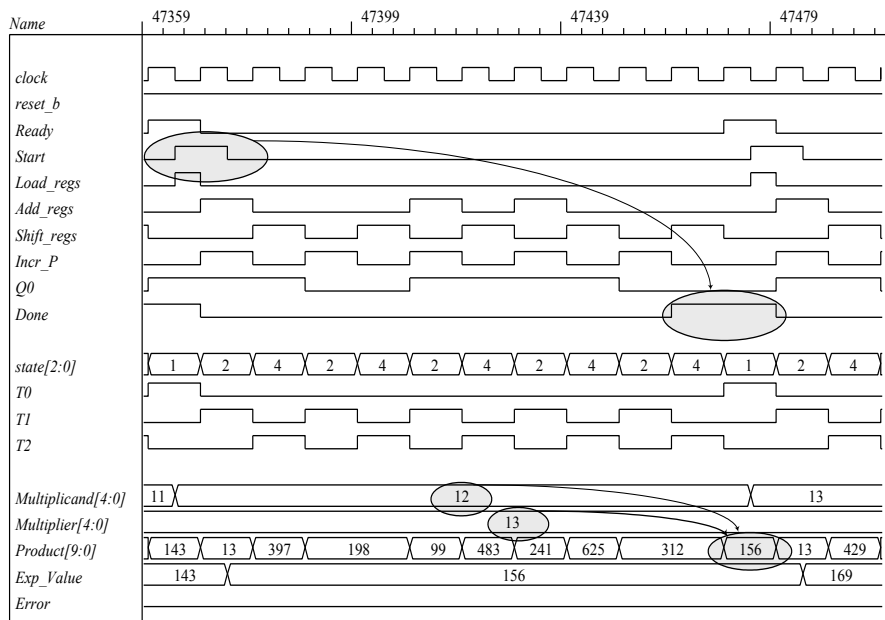
```

initial fork
 reset_b = 1;
 #2 reset_b = 0;
 #3 reset_b = 1;
join
always @ (negedge Start) begin
 Exp_Value = Multiplier * Multiplicand;
 //Exp_Value = Multiplier * Multiplicand + 1; // Inject error to confirm detection
end
always @ (posedge Ready) begin
 # 1 Error <= (Exp_Value ^ Product) ;
end

initial begin
 #5 Multiplicand = 0;
 Multiplier = 0;

 repeat (32) #10 begin
 Start = 1;
 #10 Start = 0;
 repeat (32) begin
 Start = 1;
 #10 Start = 0;
 #100 Multiplicand = Multiplicand + 1;
 end
 Multiplier = Multiplier + 1;
 end
end
endmodule

```



## Supplement to Experiment #10:

```

module Counter_74161 (
 output QD, QC, QB, QA, // Data output
 output COUT, // Output carry
 input D, C, B, A, // Data input
 input P, T, // Active high to count
 L, // Active low to load
 CK, // Positive edge sensitive
 CLR // Active low to clear
);

 reg [3: 0] A_count;
 assign QD = A_count[3];
 assign QC = A_count[2];
 assign QB = A_count[1];
 assign QA = A_count[0];

 assign COUT = ((P == 1) && (T == 1) && (L == 1) && (A_count == 4'b1111));

 always @ (posedge CK, negedge CLR)
 if (CLR == 0) A_count <= 4'b0000;
 else if (L == 0) A_count <= {D, C, B, A};
 else if ((P == 1) && (T == 1)) A_count <= A_count + 1'b1;
 else A_count <= A_count; // redundant statement
endmodule

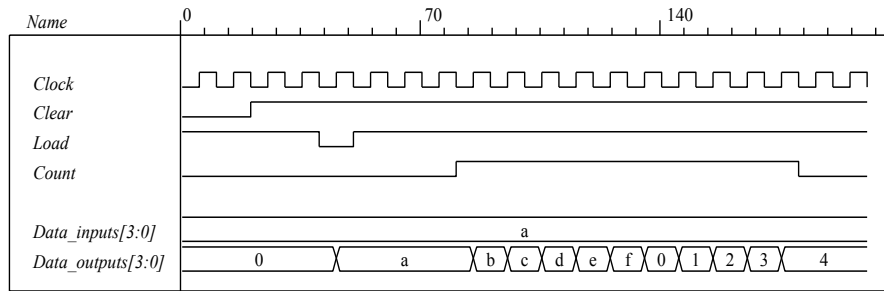
module t_Counter_74161 ();
 wire QD, QC, QB, QA;
 wire [3: 0] Data_outputs = {QD, QC, QB, QA};
 wire Carry_out; // Output carry
 reg [3:0] Data_inputs; // Data input
 reg Count, // Active high to count
 Load, // Active low to load
 Clock, // Positive edge sensitive
 Clear; // Active low to clear

 Counter_74161 M0 (QD, QC, QB, QA, Carry_out,
 Data_inputs[3], Data_inputs[2], Data_inputs[1], Data_inputs[0], Count, Count, Load, Clock, Clear);

 initial #200 $finish;
 initial begin Clock = 0; forever #5 Clock = ~Clock; end

 initial fork
 Clear = 0;
 Load = 1;
 Count = 0;
 #20 Clear = 1;
 #40 Load = 0;
 #50 Load = 1;
 #80 Count = 1;
 #180 Count = 0;
 Data_inputs = 4'ha; // 10
 join
endmodule

```



### Supplement to Experiment #11.

(a)

// Note: J and K\_bar are assumed to be connected together.

```

module SReg_74195 (
 output reg QA, QB, QC, QD,
 output QD_bar,
 input A, B, C, D, SH_LD, J, K_bar, CLR_bar, CK
);
 assign QD_bar = ~QD;

 always @ (posedge CK, negedge CLR_bar)
 if (!CLR_bar) {QA, QB, QC, QD} <= 4'b0;
 else if (!SH_LD) {QA, QB, QC, QD} <= {A, B, C, D};
 else case ({J, K_bar})
 2'b00: {QA, QB, QC, QD} <= {1'b0, QA, QB, QC};
 2'b11: {QA, QB, QC, QD} <= {1'b1, QA, QB, QC};
 2'b01: {QA, QB, QC, QD} <= {QA, QA, QB, QC}; // unused
 2'b10: {QA, QB, QC, QD} <= {~QA, QA, QB, QC}; // unused
 endcase
endmodule

```

```

module t_SReg_74195 ();
 wire QA, QB, QC, QD;
 wire QD_bar;
 reg A, B, C, D, SH_LD, CLR_bar, CK;
 reg Serial_Input;
 wire J = Serial_Input;
 wire K_bar = Serial_Input;
 wire [3:0] Data_inputs = {A, B, C, D};
 wire [3:0] Data_outputs = {QA, QB, QC, QD};

```

```

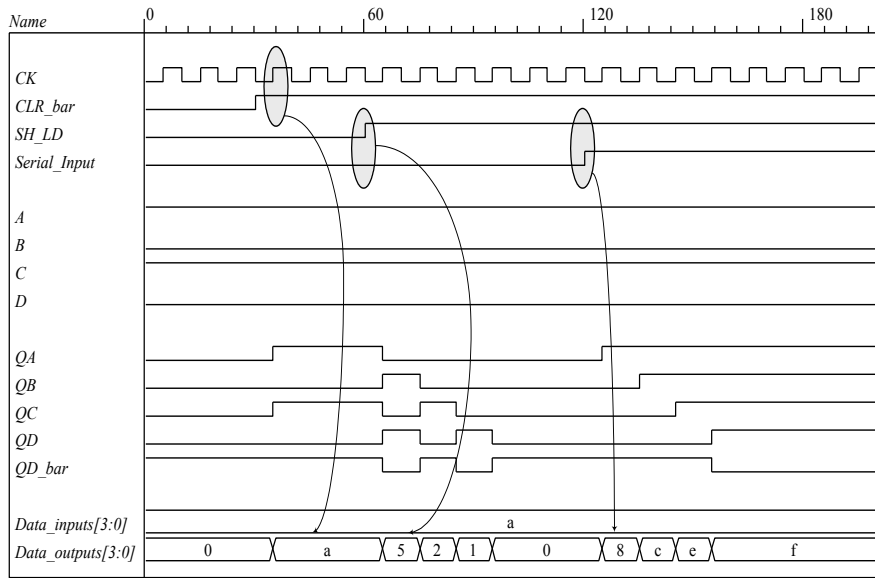
SReg_74195 M0 (QA, QB, QC, QD, QD_bar, A, B, C, D, SH_LD, J, K_bar, CLR_bar, CK);

```

```

initial #200 $finish;
initial begin CK = 0; forever #5 CK = ~CK; end
initial fork
 {A, B, C, D} = 4'ha;
 CLR_bar = 0;
 Serial_Input = 0;
 SH_LD = 0;
 #30 CLR_bar = 1;
 #60 SH_LD = 1;
 #120 Serial_Input = 1;
join
endmodule

```



```

(b)
module Mux_74157 (
 output reg Y1, Y2, Y3, Y4,
 input A1, A2, A3, A4, B1, B2, B3, B4, SEL, STB
);
 wire [4: 1] In_A = {A1, A2, A3, A4};
 wire [4: 1] In_B = {B1, B2, B3, B4};

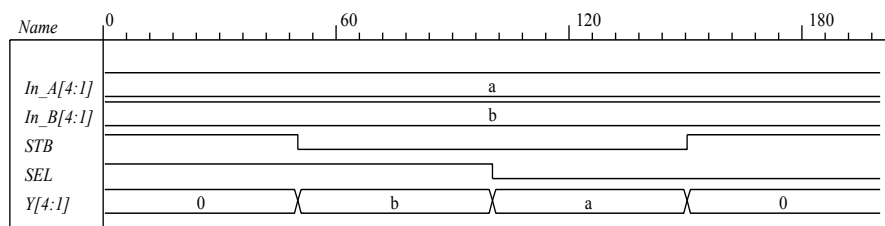
 always @ (In_A, In_B, SEL, STB)
 if (STB) {Y1, Y2, Y3, Y4} = 4'b0;
 else if (SEL) {Y1, Y2, Y3, Y4} = In_B;
 else {Y1, Y2, Y3, Y4} = In_A;
endmodule

module t_Mux_74157 ();
 wire Y1, Y2, Y3, Y4;
 reg A1, A2, A3, A4, B1, B2, B3, B4, SEL, STB;
 wire [4: 1] In_A = {A1, A2, A3, A4};
 wire [4: 1] In_B = {B1, B2, B3, B4};
 wire [4: 1] Y = {Y1, Y2, Y3, Y4};

 Mux_74157 M0 (Y1, Y2, Y3, Y4, A1, A2, A3, A4, B1, B2, B3, B4, SEL, STB);

 initial #200 $finish;
 initial fork
 {A1, A2, A3, A4} = 4'ha;
 {B1, B2, B3, B4} = 4'hb;
 STB = 1;
 SEL = 1;
 #50 STB = 0;
 #100 SEL = 0;
 #150 STB = 1;
 join
endmodule

```



```

(c)
module Bi_Dir_Shift_Reg (output [1: 4] D_out, input [1: 4] D_in, input SEL, STB, SH_LD, clock,
 CLR_bar);
 wire QD_bar;
 wire [1: 4] Y;
 SReg_74195 M0 (D_out[1], D_out[2], D_out[3], D_out[4], QD_bar, Y[1], Y[2], Y[3], Y[4],
 SH_LD, D_out[4], D_out[4], CLR_bar, clock
);
 Mux_74157 M1 (Y[1], Y[2], Y[3], Y[4], D_in[1], D_in[2], D_in[3], D_in[4],

```

```

 D_out[2], D_out[3], D_out[4], D_out[1], SEL, STB
);
endmodule

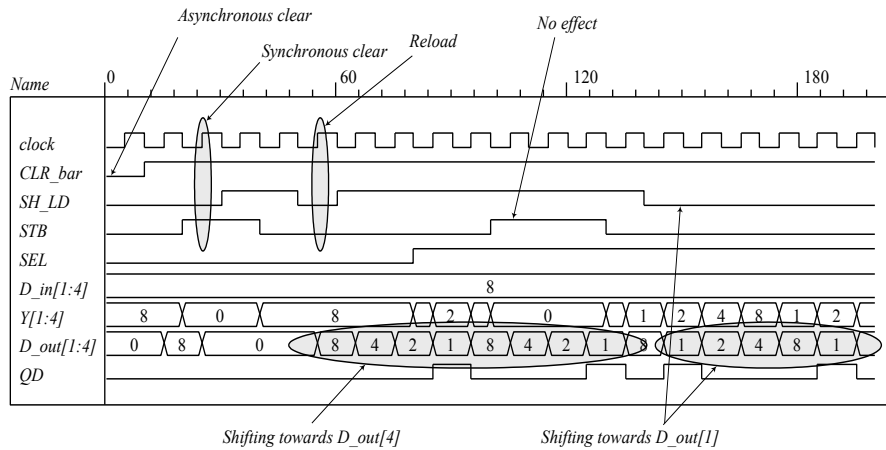
module SReg_74195 (
 output reg QA, QB, QC, QD,
 output QD_bar,
 input A, B, C, D, SH_LD, J, K_bar, CLR_bar, CK
);
 assign QD_bar = ~QD;
 always @ (posedge CK, negedge CLR_bar)
 if (!CLR_bar) {QA, QB, QC, QD} <= 4'b0;
 else if (!SH_LD) {QA, QB, QC, QD} <= {A, B, C, D};
 else case ({J, K_bar})
 2'b00: {QA, QB, QC, QD} <= {1'b0, QA, QB, QC};
 2'b11: {QA, QB, QC, QD} <= {1'b1, QA, QB, QC};
 2'b01: {QA, QB, QC, QD} <= {QA, QA, QB, QC}; // unused
 2'b10: {QA, QB, QC, QD} <= {~QA, QA, QB, QC}; // unused
 endcase
endmodule

module Mux_74157 (
 output reg Y1, Y2, Y3, Y4,
 input A1, A2, A3, A4, B1, B2, B3, B4, SEL, STB
);
 wire [4: 1] In_A = {A1, A2, A3, A4};
 wire [4: 1] In_B = {B1, B2, B3, B4};

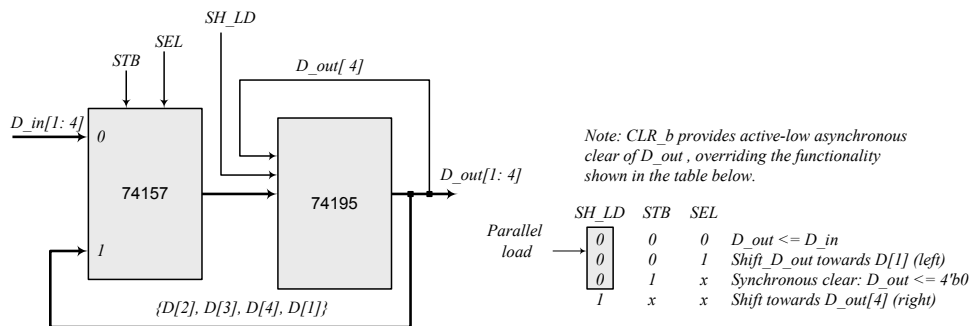
 always @ (In_A, In_B, SEL, STB)
 if (STB) {Y1, Y2, Y3, Y4} = 4'b0;
 else if (SEL) {Y1, Y2, Y3, Y4} = In_B; // SEL = 1
 else {Y1, Y2, Y3, Y4} = In_A; // SEL = 0
endmodule

module t_Bi_Dir_Shift_Reg ();
 wire [1: 4] D_out;
 reg [1: 4] D_in;
 reg SEL, STB, SH_LD, clock, CLR_bar;
 Bi_Dir_Shift_Reg M0 (D_out, D_in, SEL, STB, SH_LD, clock, CLR_bar);
 initial #200 $finish;
 initial begin clock = 0; forever #5 clock = ~clock; end
 initial fork
 D_in = 4'h8; // Data for walking 1 to right
 CLR_bar = 0;
 STB = 0;
 SEL = 0; // Selects D_in
 SH_LD = 0; // load D_in
 #10 CLR_bar = 1;
 #20 STB = 1;
 #40 STB = 0;
 #30 SH_LD = 1;
 #50 SH_LD = 0; // Interrupt count to load
 #60 SH_LD = 1;
 #80 SEL = 1;
 #100 STB = 1;
 #130 STB = 0;
 #140 SH_LD = 0;
 // #150 SH_LD = 1;
 join
endmodule

```



The behavioral model is listed below. The two models have matching simulation results.



```

module Bi_Dir_Shift_Reg_beh (output reg [1: 4] D_out, input [1: 4] D_in, input SEL, STB, SH_LD, clock,
CLR_bar);
always @ (posedge clock, negedge CLR_bar)
 if (!CLR_bar) D_out <= 4'b0;
 else if (SH_LD) D_out <= {D_out[4], D_out[1], D_out[2], D_out[3]};
 else if (!STB) D_out <= SEL ? {D_out[2: 4], D_out[1]}: D_in;
 else D_out <= 4'b0;
endmodule

```

```

module t_Bi_Dir_Shift_Reg_beh ();
wire [1: 4] D_out;
reg [1: 4] D_in;
reg SEL, STB, SH_LD, clock, CLR_bar;

```

```

Bi_Dir_Shift_Reg_beh M0 (D_out, D_in, SEL, STB, SH_LD, clock, CLR_bar);

```

```

initial #200 $finish;
initial begin clock = 0; forever #5 clock = ~clock; end
initial fork
 D_in = 4'h8; // Data for walking 1 to right

```

```

CLR_bar = 0;
STB = 0;
SEL = 0; // Selects D_in
SH_LD = 0; // load D_in
#10 CLR_bar = 1;
#20 STB = 1;
#40 STB = 0;
#30 SH_LD = 1;
#50 SH_LD = 0; // Interrupt count to load
#60 SH_LD = 1;
#80 SEL = 1;
#100 STB = 1;
#130 STB = 0;
#140 SH_LD = 0;
//#150 SH_LD = 1;
join
endmodule

```

### Supplement to Experiment #13.

```

module RAM_74189 (output S4, S3, S2, S1, input D4, D3, D2, D1, A3, A2, A1, A0, CS, WE);
// Note: active-low CS and WE
wire [3: 0] address = {A3, A2, A1, A0};
reg [3: 0] RAM [0: 15]; // 16 x 4 memory
wire [4: 1] Data_in = { D4, D3, D2, D1}; // Input word
tri [4: 1] Data; // Output data word, three-state output
assign S1 = Data[1]; // Output bits
assign S2 = Data[2];
assign S3 = Data[3];
assign S4 = Data[4];

always @ (Data_in, address, CS, WE) if (~CS && ~WE) RAM[address] = Data_in;
assign Data = (~CS && WE) ? ~RAM[address] : 4'bz;
endmodule

module t_RAM_74189 ();
reg [4: 1] Data_in;
reg [3: 0] address;
reg CS, WE;
wire S1, S2, S3, S4;
wire D1, D2, D3, D4;
wire A0, A1, A2, A3;
wire [4: 1] Data_out = {S4, S3, S2, S1};
assign D1 = Data_in [1];
assign D2 = Data_in [2];
assign D3 = Data_in [3];
assign D4 = Data_in [4];
assign A0 = address[0];
assign A1 = address[1];
assign A2 = address[2];
assign A3 = address[3];

wire [3: 0] RAM_0 = M0.RAM[0];
wire [3: 0] RAM_1 = M0.RAM[1];
wire [3: 0] RAM_2 = M0.RAM[2];
wire [3: 0] RAM_3 = M0.RAM[3];
wire [3: 0] RAM_4 = M0.RAM[4];
wire [3: 0] RAM_5 = M0.RAM[5];
wire [3: 0] RAM_6 = M0.RAM[6];
wire [3: 0] RAM_7 = M0.RAM[7];
wire [3: 0] RAM_8 = M0.RAM[8];
wire [3: 0] RAM_9 = M0.RAM[9];

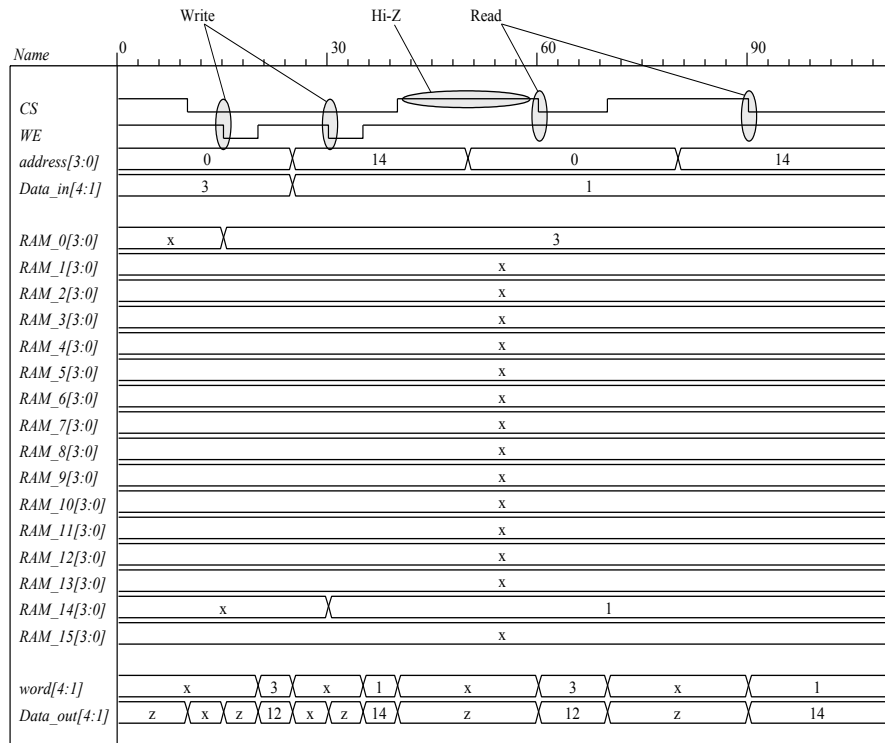
```



```
wire [3: 0] RAM_10 = M0.RAM[10];
wire [3: 0] RAM_11 = M0.RAM[11];
wire [3: 0] RAM_12= M0.RAM[12];
wire [3: 0] RAM_13 = M0.RAM[13];
wire [3: 0] RAM_14 = M0.RAM[14];
wire [3: 0] RAM_15 = M0.RAM[15];
wire [4: 1] word = ~Data_out;
```

```
RAM_74189 M0 (S4, S3, S2, S1, D4, D3, D2, D1, A3, A2, A1, A0, CS, WE);
```

```
initial #110 $finish;
initial fork
WE = 1;
CS = 1;
address = 0;
Data_in = 3;
#10 CS = 0;
#15 WE = 0;
#20 WE = 1;
#25 address = 14;
#25 Data_in = 1;
#30 WE = 0;
#35 WE = 1;
#40 CS = 1;
#50 address = 0;
#60 CS = 0;
#70 CS = 1;
#80 address = 14;
#90 CS = 0;
join
endmodule
```



Note: Data\_out is the complement of the stored value

#### Supplement to Experiment #14.

```

module Bi_Dir_Shift_Reg_74194 (
 output reg QA, QB, QC, QD,
 input A, B, C, D, SIR, SIL, s1, s0, CK, CLR
);
 always @ (posedge CK, negedge CLR)
 if (!CLR) {QA, QB, QC, QD} <= 4'b0;
 else case ({s1, s0})
 2'b00: {QA, QB, QC, QD} <= {QA, QB, QC, QD};
 2'b01: {QA, QB, QC, QD} <= {SIR, QA, QB, QC};
 2'b10: {QA, QB, QC, QD} <= {QB, QC, QD, SIL};
 2'b11: {QA, QB, QC, QD} <= {A, B, C, D};
 endcase
endmodule

module t_Bi_Dir_Shift_Reg_74194 ();
 wire QA, QB, QC, QD;
 reg A, B, C, D, SIR, SIL, s1, s0, clock, CLR;

 Bi_Dir_Shift_Reg_74194 M0 (QA, QB, QC, QD, A, B, C, D, SIR, SIL, s1, s0, clock, CLR);

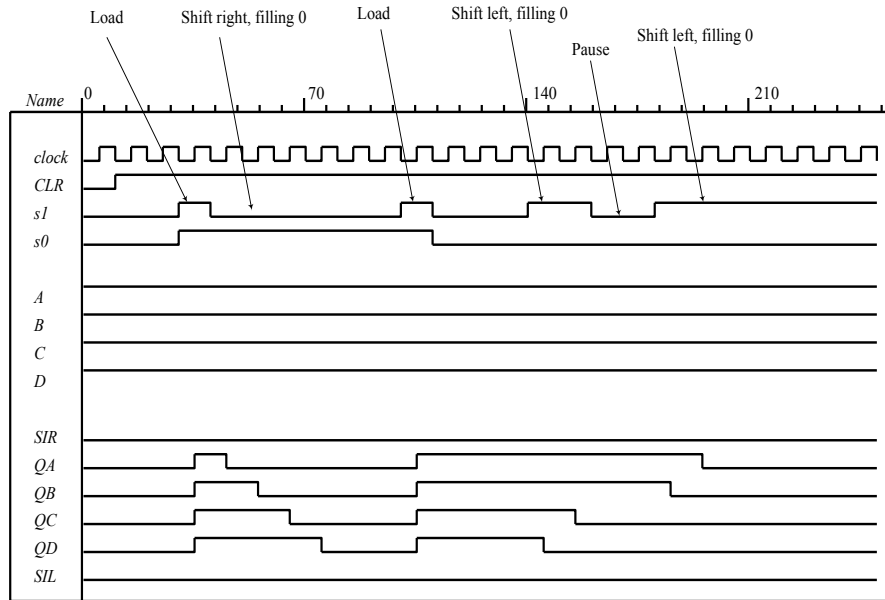
 initial #250 $finish;
 initial begin clock = 0; forever #5 clock = ~clock; end

```

```

initial fork
 CLR = 0;
 {A, B, C, D} = 4'hf;
 s1 = 0;
 s0 = 0;
 SIR = 0;
 #10 CLR = 1;
 #30 begin s1 = 1; s0 = 1; end// load
 #40 s1 = 0; // shift right
 #100 s1 = 1; // load
 #110 begin s1 = 0; s0 = 0; end
 #140 s1 = 1; // shift left
 #160 s1 = 0; // pause
 #180 s1 = 1; // resume
join
endmodule

```



### Supplement to Experiment #16.

The HDL behavioral descriptions of the components in the block diagram of Fig. 9.23 are described in the solutions of previous experiments, along with their test benches and simulations results: 74189 is described in Experiment 13(a); 74157 in Experiment 11(b); 74161 in Experiment 10; 7483 in Experiment 7(a); 74194 in Experiment 14; and 7474 in Experiment 8(a). The structural description of the parallel adder instantiates these components to show how they are interconnected (see the solution to the supplement for Experiment 17 for a similar procedure). A test bench and simulation results for the integrated unit are given below.

```
// LOAD condition for 74194: s1 = 1, s0 = 1
// SHIFT condition: s1 = 0, s0 = 1
// NO CHANGE condition: s1 = 0, s0 = 0

module Supp_9_16 (
 output [3: 0] accum_sum,
 output carry,
 input [3: 0] Data_in, Addr_in,
 input S1R, SIL, CS, WE, s1, s0, count, Load, select, STB, clock, preset, clear, VCC, GND
);
 wire B4 = Data_in[3]; // Data world to memory
 wire B3 = Data_in[2];
 wire B2 = Data_in[1];
 wire B1 = Data_in[0];
 wire S4, S3, S2, S1;
 wire D4, D3, D2, D1;
 wire S4b = ~S4; // Inverters
 wire S3b = ~S3;
 wire S2b = ~S2;
 wire S1b = ~S1;
 wire D = Addr_in[3]; // For parallel load of address counter
 wire C = Addr_in[2];
 wire B = Addr_in[1];
 wire A = Addr_in[0];
 wire Ocar, Y1, Y2, Y3, Y4, QA, QB, QC, QD, A3, A2, A1, A0;
 assign accum_sum = {D4, D3, D2, D1};

 Flip_flop_7474 M0 (Ocar, carry, clock, preset, clear);
 Adder_7483 M1 (D4, D3, D2, D1, carry, S4b, S3b, S2b, S1b, QD, QC, QB, QA, Ocar, VCC, GND);
 Mux_74157 M2 (Y4, Y3, Y2, Y1, QD, QC, QB, QA, B4, B3, B2, B1, select, STB);
 Counter_74161 M3 (A3, A2, A1, A0, COUT, D, C, B, A, count, count, Load, clock, clear);
 RAM_74189 M4 (S4, S3, S2, S1, Y4, Y3, Y2, Y1, A3, A2, A1, A0, CS, WE);
 Reg_74194 M5 (QD, QC, QB, QA, D4, D3, D2, D1, Ocar, SIL, s1, s0, clock, clear);
endmodule

module t_Supp_9_16 ();
 wire [3: 0] sum;
 wire carry;
 reg [3: 0] Data_in, Addr_in;
 reg S1R, SIL, CS, WE, s1, s0, count, Load, select, STB, clock, preset, clear;
 supply1 VCC;
 supply0 GND;
 wire [3: 0] RAM_0 = M0.M4.RAM[0];
 wire [3: 0] RAM_1 = M0.M4.RAM[1];
 wire [3: 0] RAM_2 = M0.M4.RAM[2];
 wire [3: 0] RAM_3 = M0.M4.RAM[3];
 wire [3: 0] RAM_4 = M0.M4.RAM[4];
 wire [3: 0] RAM_5 = M0.M4.RAM[5];
 wire [3: 0] RAM_6 = M0.M4.RAM[6];
 wire [3: 0] RAM_7 = M0.M4.RAM[7];
 wire [3: 0] RAM_8 = M0.M4.RAM[8];
endmodule
```

```

wire [3: 0] RAM_9 = M0.M4.RAM[9];
wire [3: 0] RAM_10 = M0.M4.RAM[10];
wire [3: 0] RAM_11 = M0.M4.RAM[11];
wire [3: 0] RAM_12 = M0.M4.RAM[12];
wire [3: 0] RAM_13 = M0.M4.RAM[13];
wire [3: 0] RAM_14 = M0.M4.RAM[14];
wire [3: 0] RAM_15 = M0.M4.RAM[15];

wire [4: 1] word = {M0.S4b, M0.S3b,M0.S2b, M0.S1b};
wire [4: 1] mux_out = { M0.Y4, M0.Y3, M0.Y2, M0.Y1};
wire [4: 1] Reg_Output = {M0.QD, M0.QC, M0.QB, M0.QA};

Supp_9_16 M0 (sum, carry, Data_in, Addr_in, SIR, SIL, CS, WE, s1, s0, count, Load,
select, STB, clock, preset, clear, VCC, GND);

integer k;
initial #600 $finish;
initial begin clock = 0; forever #5 clock = ~clock; end
initial fork
 #10 begin preset = 1; clear = 0; s1 = 0; s0 = 0; Load = 1; count = 0; CS = 1; WE = 1; STB = 0; end
 // initialize memory
 #10 begin k = 0; repeat (16) begin M0.M4.RAM[k] = 4'hf; k = k + 1; end end
 #20 begin Data_in = 4'hf; Addr_in = 0; select = 1; end
 #30 begin clear = 1; WE = 0; end
 // load memory
 #40 begin
 count = 1;
 CS = 0;
 begin
 repeat (16) @ (negedge clock) Data_in = Data_in + 1;
 count = 0;
 @ (negedge clock) CS = 1;
 end
 end
 #200 count = 1; // Establish address
 #240 count = 0;
 #250 WE = 1;
 #260 CS = 0; // Read from memory
 #280 clear = 0;
 #290 clear = 1;
 #300 count = 1; // Establish address
 #340 begin s1 = 1; s0 = 1; count = 0; end
 #390 CS = 0;
 #400 clear = 0; // Clear the registers
 #410 clear = 1;
 #420 begin count = 1; CS = 0; end // Accumulate values
 #490 begin count = 0; CS = 1; end
join
endmodule

module Flip_flop_7474 (output reg Q, input D, CLK, preset, clear);
 always @ (posedge CLK, negedge preset , negedge clear)
 if (!preset) Q <= 1'b1;
 else if (!clear) Q <= 1'b0;
 else Q <= D;
endmodule

module Adder_7483 (
 output S4, S3, S2, S1, C4,

```

```

input A4, A3, A2, A1, B4, B3, B2, B1, C0, VCC, GND
);
// Note: connect VCC and GND to supply1 and supply0 in the test bench
wire [4: 1] sum;
wire [4: 1] A = {A4, A3, A2, A1};
wire [4: 1] B = {B4, B3, B2, B1};
assign S4 = sum[4];
assign S3 = sum[3];
assign S2 = sum[2];
assign S1 = sum[1];
assign {C4, sum} = A + B + C0;
endmodule

module Mux_74157 (
output reg Y1, Y2, Y3, Y4,
input A1, A2, A3, A4, B1, B2, B3, B4, SEL, STB
);
wire [4: 1] In_A = {A1, A2, A3, A4};
wire [4: 1] In_B = {B1, B2, B3, B4};

always @ (In_A, In_B, SEL, STB)
if (STB) {Y1, Y2, Y3, Y4} = 4'b0;
else if (SEL) {Y1, Y2, Y3, Y4} = In_B;
else {Y1, Y2, Y3, Y4} = In_A;
endmodule

module Counter_74161 (
output QD, QC, QB, QA, // Data output
output COUT, // Output carry
input D, C, B, A, // Data input
input P, T, // Active high to count
L, // Active low to load
CK, // Positive edge sensitive
CLR // Active low to clear
);
reg [3: 0] A_count;
assign QD = A_count[3];
assign QC = A_count[2];
assign QB = A_count[1];
assign QA = A_count[0];
assign COUT = ((P == 1) && (T == 1) && (L == 1) && (A_count == 4'b1111));

```

```

always @ (posedge CK, negedge CLR)
if (CLR == 0) A_count <= 4'b0000;
else if (L == 0) A_count <= {D, C, B, A};
else if ((P == 1) && (T == 1)) A_count <= A_count + 1'b1;
else A_count <= A_count; // redundant statement
endmodule

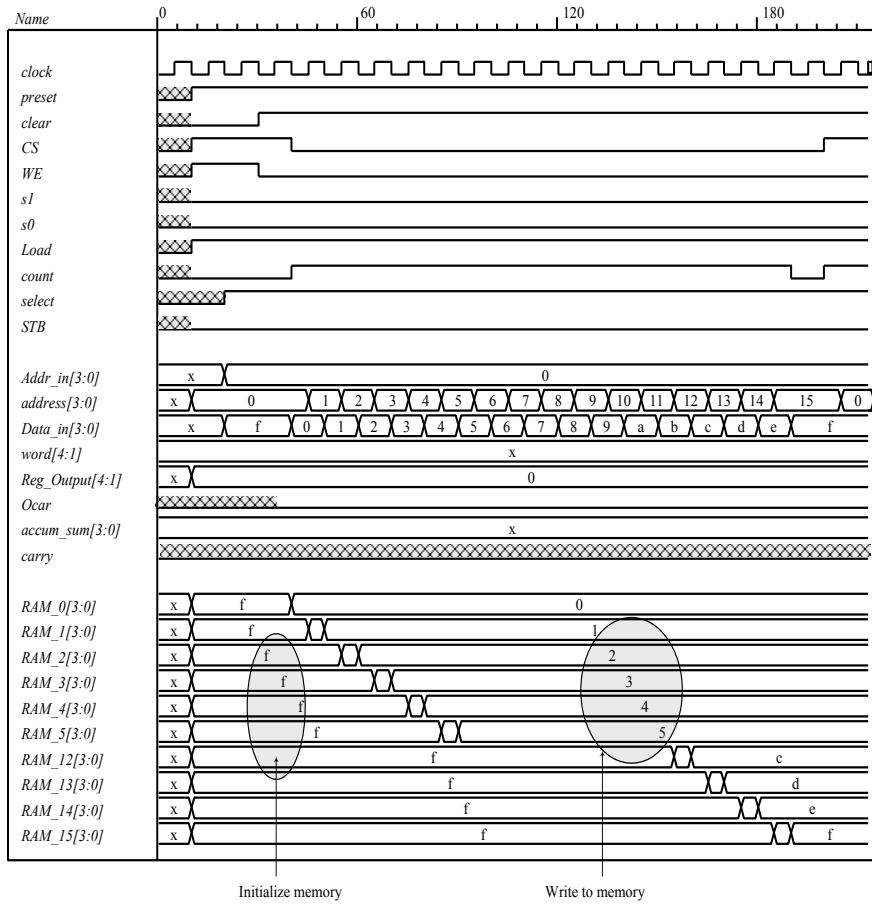
module RAM_74189 (output S4, S3, S2, S1, input D4, D3, D2, D1, A3, A2, A1, A0, CS, WE);
// Note: active-low CS and WE
wire [3: 0] address = {A3, A2, A1, A0};
reg [3: 0] RAM [0: 15]; // 16 x 4 memory
wire [4: 1] Data_in = { D4, D3, D2, D1}; // Input word
tri [4: 1] Data; // Output data word, three-state output
assign S1 = Data[1]; // Output bits
assign S2 = Data[2];
assign S3 = Data[3];
assign S4 = Data[4];

always @ (Data_in, address, CS, WE) if (~CS && ~WE) RAM[address] = Data_in;
assign Data = (~CS && WE) ? ~RAM[address] : 4'bz; // Note complement of data word
endmodule

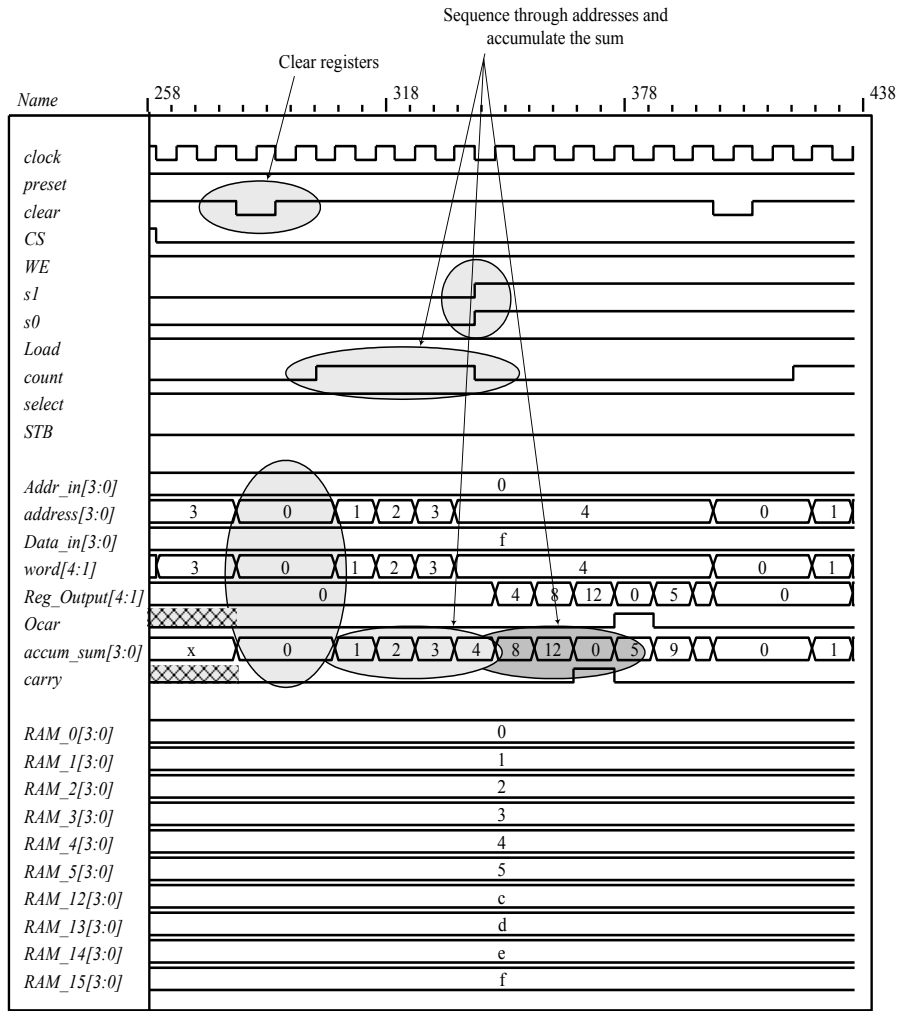
module Reg_74194 (
output reg QA, QB, QC, QD,
input A, B, C, D, SIR, SIL, s1, s0, CK, CLR
);
always @ (posedge CK, negedge CLR)
if (!CLR) {QA, QB, QC, QD} <= 4'b0;
else case ({s1, s0})
2'b00: {QA, QB, QC, QD} <= {QA, QB, QC, QD};
2'b01: {QA, QB, QC, QD} <= {SIR, QA, QB, QC};
2'b10: {QA, QB, QC, QD} <= {QB, QC, QD, SIL};
2'b11: {QA, QB, QC, QD} <= {A, B, C, D};
endcase
endmodule

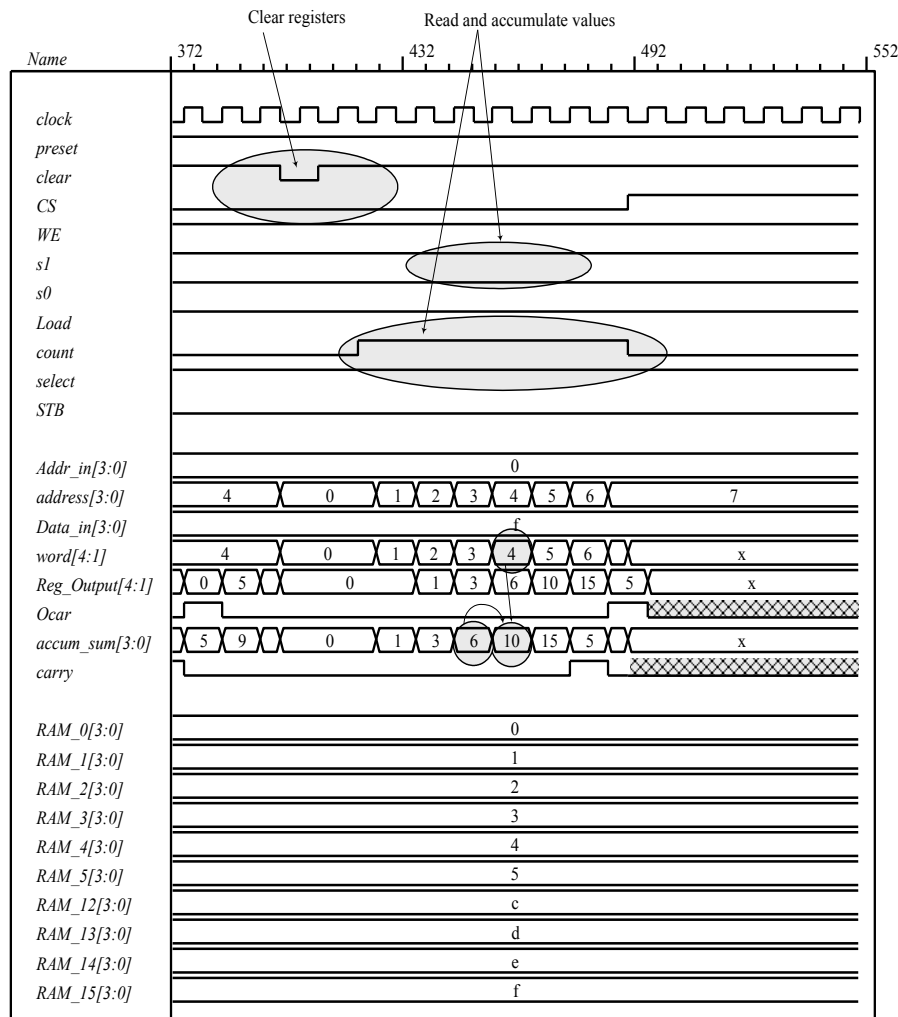
```

Simulation results: initializing memory to 4'hf, then writing to memory. Note: the values of the inputs are ambiguous until the clear signal is asserted. Signals Ocar and carry are ambiguous because the output of memory is high-z until memory is read.









### Supplement to Experiment #17.

The HDL behavioral descriptions of the components in the block diagram of Fig. 9.23 are described in the solutions of previous experiments, along with their test benches and simulation results: 74161 in Experiment 10; 7483 in Experiment 7(a); 74194 in Experiment 14; and 7474 in Experiment 8(a). The structural description of the parallel adder instantiates these components to show how they are interconnected (see the solution to the supplement for Experiment 17 for a similar procedure). A test bench and simulation results for the integrated unit are given below.

```

// Control unit is obtained by modifying the solution to Prob. 8.24.
// Datapath is implemented with a structural HDL model and IC components.
// LOAD condition for 74194: s1 = 1, s0 = 1
// SHIFT condition: s1 = 0, s0 = 1
// NO CHANGE condition: s1 = 0, s0 = 0

module Supp_9_17_Par_Mult # (parameter dp_width = 4)
(
 output [2*dp_width - 1: 0] Product,
 output Ready,
 input [dp_width - 1: 0] Multiplicand, Multiplier,
 input Start, clock, reset_b, VCC, GND
);
 wire Load_regs, Incr_P, Add_regs, Shift_regs, Done, Q0;

 Controller M0 (
 Ready, Load_regs, Incr_P, Add_regs, Shift_regs, Start, Done, Q0,
 clock, reset_b);

 Datapath M1(Product, Q0, Done, Multiplicand, Multiplier,
 Start, Load_regs, Incr_P, Add_regs, Shift_regs, clock, reset_b, VCC, GND);
endmodule

module Controller (
 output Ready,
 output reg Load_regs, Incr_P, Add_regs, Shift_regs,
 input Start, Done, Q0, clock, reset_b
);

 parameter S_idle = 3'b001, // one-hot code
 S_add = 3'b010,
 S_shift = 3'b100;
 reg [2: 0] state, next_state; // sized for one-hot
 assign Ready = (state == S_idle);

 always @ (posedge clock, negedge reset_b)
 if (~reset_b) state <= S_idle; else state <= next_state;
 always @ (state, Start, Q0, Done) begin
 next_state = S_idle;
 Load_regs = 0;
 Incr_P = 0;
 Add_regs = 0;
 Shift_regs = 0;
 case (state)
 S_idle: if (Start) begin next_state = S_add; Load_regs = 1; end
 S_add: begin next_state = S_shift; Incr_P = 1; if (Q0) Add_regs = 1; end
 S_shift: begin
 Shift_regs = 1;
 if (Done) next_state = S_idle;
 else next_state = S_add;
 end
 default: next_state = S_idle;
 endcase
 end
endmodule

module Datapath #(parameter dp_width = 4, BC_size = 3) (
 output [2*dp_width - 1: 0] Product, output Q0, output Done,
 input [dp_width - 1: 0] Multiplicand, Multiplier,
 input Start, Load_regs, Incr_P, Add_regs, Shift_regs, clock, clear, VCC, GND
);
 wire C;

```

```

wire Cout, Sum3, Sum2, Sum1, Sum0, P3, P2, P1, P0, A3, A2, A1, A0;
wire Q3, Q2, Q1;
wire [dp_width -1: 0] A = {A3, A2, A1, A0};
wire [dp_width -1: 0] Q = {Q3, Q2, Q1, Q0};
assign Product = {C, A, Q};
wire [BC_size -1: 0] P = {P3, P2, P1, P0};

// Registers must be controlled separately to execute add and shift operations correctly.
// LOAD condition for 74194: s1 = 1, s0 = 1
// SHIFT condition: s1 = 0, s0 = 1
// NO CHANGE condition: s1 = 0, s0 = 0

wire B3 = Multiplicand[3]; // Data word to adder
wire B2 = Multiplicand[2];
wire B1 = Multiplicand[1];
wire B0 = Multiplicand[0];
wire Q3_in = Multiplier[3];
wire Q2_in = Multiplier[2];
wire Q1_in = Multiplier[1];
wire Q0_in = Multiplier[0];
assign Done = ({P3, P2, P1, P0} == dp_width); // Counts bits of multiplier
wire s1A = Load_regs || Add_regs; // Controls for A register
wire s0A = Load_regs || Add_regs || Shift_regs;
wire s0Q = Load_regs || Shift_regs; // Controls for Q register
wire s1Q = Load_regs;
wire Pout; // Unused
wire clr_P = clear && ~Load_regs;
Flip_flop_7474 M0_C (C, Cout, clock, VCC, clr_P);
Adder_7483 M1 (Sum3, Sum2, Sum1, Sum0, Cout, A3, A2, A1, A0, B3, B2, B1, B0, GND, VCC, GND);
Counter_74161 M3_P (P3, P2, P1, P0, Pout, GND, GND, GND, GND, Incr_P, Incr_P, VCC, clock,
clr_P);
Reg_74194 M4_A (A3, A2, A1, A0, Sum3, Sum2, Sum1, Sum0, C, GND, s1A, s0A, clock, clr_P);
Reg_74194 M5_Q (Q3, Q2, Q1, Q0, Q3_in, Q2_in, Q1_in, Q0_in, A0, GND, s1Q, s0Q, clock, clear);

endmodule

module t_Supp_9_17_Par_Mult;
parameter dp_width = 4; // Width of datapath
wire [2 * dp_width - 1: 0] Product;
wire Ready;
reg [dp_width - 1: 0] Multiplicand, Multiplier;
reg Start, clock, reset_b;
integer Exp_Value;
reg Error;
supply0 GND;
supply1 VCC;
Supp_11_17_Par_Mult M0 (Product, Ready, Multiplicand, Multiplier, Start, clock, reset_b, VCC, GND);
wire [dp_width -1: 0] sum = {M0.M1.Sum3, M0.M1.Sum2, M0.M1.Sum1, M0.M1.Sum0};
initial #115000 $finish;
initial begin clock = 0; #5 forever #5 clock = ~clock; end
initial fork
reset_b = 1;
#2 reset_b = 0;
#3 reset_b = 1;
join
always @ (negedge Start) begin
Exp_Value = Multiplier * Multiplicand;
//Exp_Value = Multiplier * Multiplicand + 1; // Inject error to confirm detection
end

```

```

always @ (posedge Ready) begin
 # 1 Error <= (Exp_Value ^ Product) ;
end
initial begin
 #5 Multiplicand = 0;
 Multiplier = 0;
 repeat (32) #10 begin
 Start = 1;
 #10 Start = 0;
 repeat (32) begin
 Start = 1;
 #10 Start = 0;
 #100 Multiplicand = Multiplicand + 1;
 end
 Multiplier = Multiplier + 1;
 end
end
endmodule

module Flip_flop_7474 (output reg Q, input D, CLK, preset, clear);
 always @ (posedge CLK, negedge preset , negedge clear)
 if (!preset) Q <= 1'b1;
 else if (!clear) Q <= 1'b0;
 else Q <= D;
endmodule

module Adder_7483 (
 output S4, S3, S2, S1, C4,
 input A4, A3, A2, A1, B4, B3, B2, B1, C0, VCC, GND
);
// Note: connect VCC and GND to supply1 and supply0 in the test bench
wire [4: 1] sum;
wire [4: 1] A = {A4, A3, A2, A1};
wire [4: 1] B = {B4, B3, B2, B1};
assign S4 = sum[4];
assign S3 = sum[3];
assign S2 = sum[2];
assign S1 = sum[1];
assign {C4, sum} = A + B + C0;
endmodule

module Counter_74161 (
 output QD, QC, QB, QA, // Data output
 output COUT, // Output carry
 input D, C, B, A, // Data input
 input P, T, // Active high to count
 L, // Active low to load
 CK, // Positive edge sensitive
 CLR // Active low to clear
);
reg [3: 0] A_count;
assign QD = A_count[3];
assign QC = A_count[2];
assign QB = A_count[1];
assign QA = A_count[0];
assign COUT = ((P == 1) && (T == 1) && (L == 1) && (A_count == 4'b1111));
always @ (posedge CK, negedge CLR)

```

```

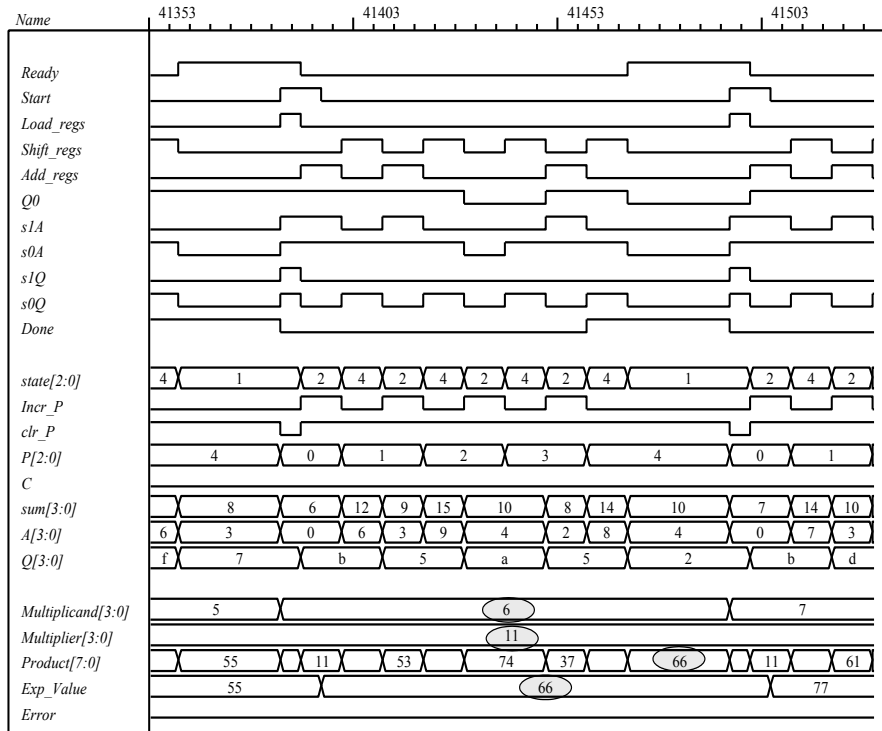
if (CLR == 0) A_count <= 4'b0000;
else if (L == 0) A_count <= {D, C, B, A};
else if ((P == 1) && (T == 1)) A_count <= A_count + 1'b1;
else A_count <= A_count; // redundant statement
endmodule

```

```

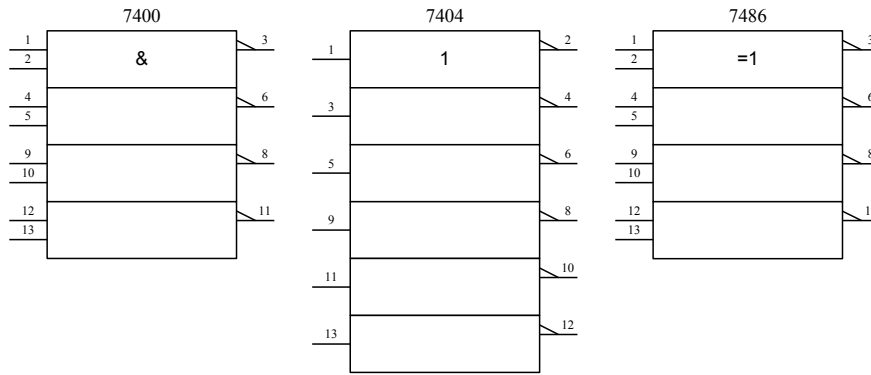
module Reg_74194 (
output reg QA, QB, QC, QD,
input A, B, C, D, SIR, SIL, s1, s0, CK, CLR
);
always @ (posedge CK, negedge CLR)
if (!CLR) {QA, QB, QC, QD} <= 4'b0;
else case ({s1, s0})
2'b00: {QA, QB, QC, QD} <= {QA, QB, QC, QD};
2'b01: {QA, QB, QC, QD} <= {SIR, QA, QB, QC};
2'b10: {QA, QB, QC, QD} <= {QB, QC, QD, SIL};
2'b11: {QA, QB, QC, QD} <= {A, B, C, D};
endcase
endmodule

```



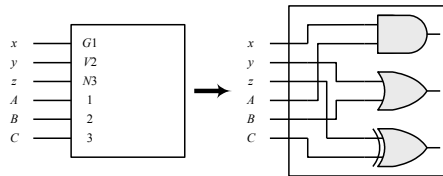
**CHAPTER 10**

**10.1**

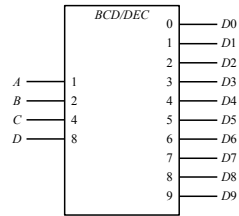


**10.2** See textbook.

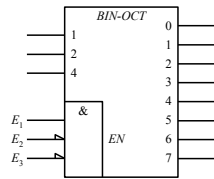
**10.3**



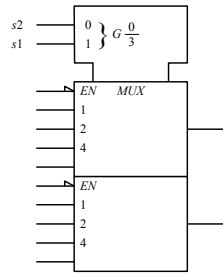
**10.4** BCD-to-decimal decoder (similar to IC 7442)



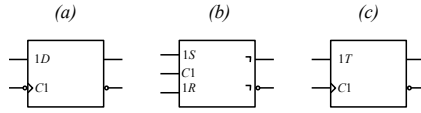
**10.5** Similar to 7438:



**10.6** IC type 74153.

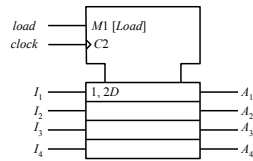


10.7



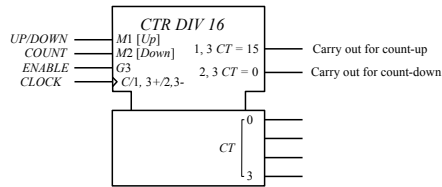
10.8 The common control block is used when the circuit has one or more inputs that are common to all lower sections.

10.9



10.10 See textbook.

10.11



10.12

