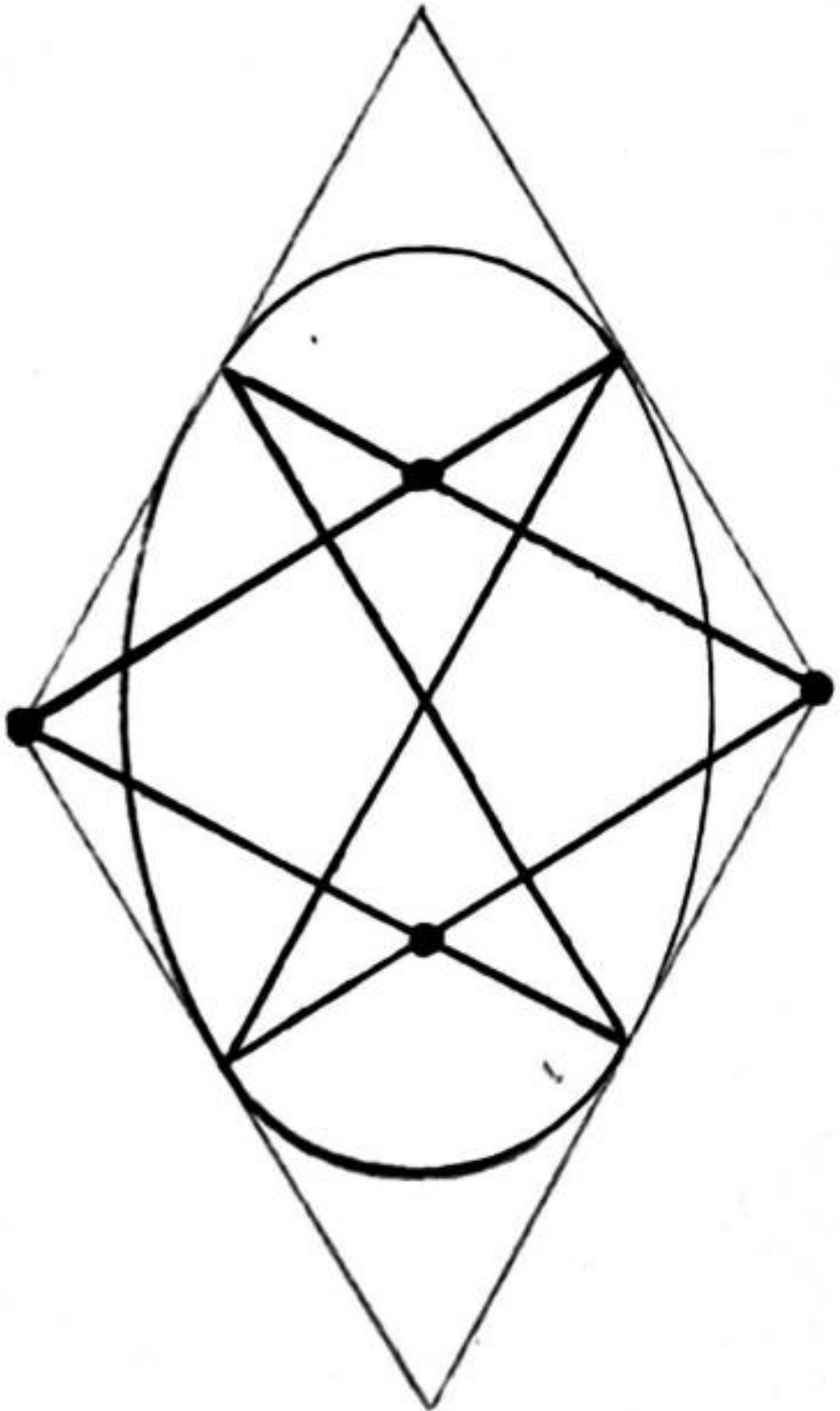
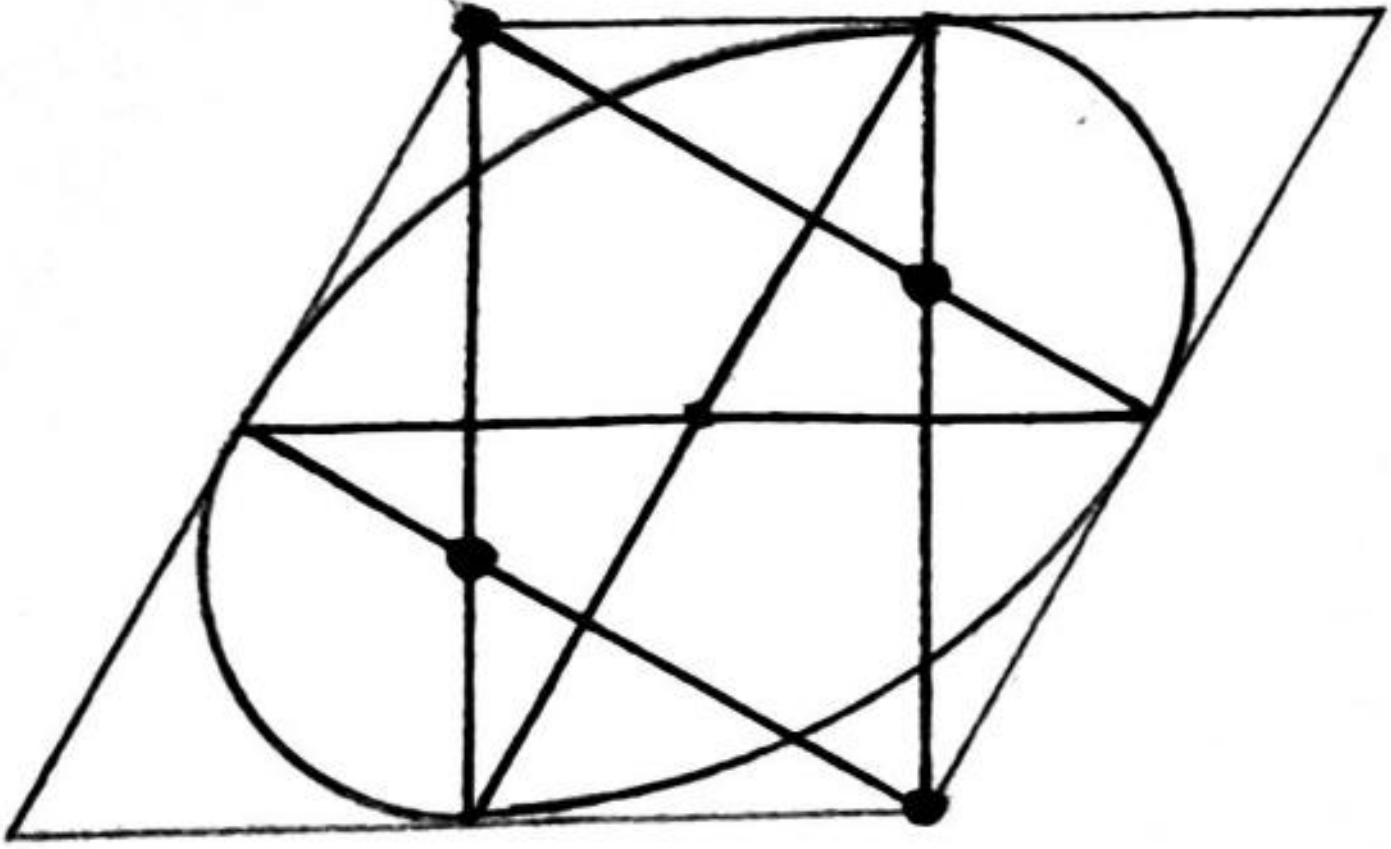


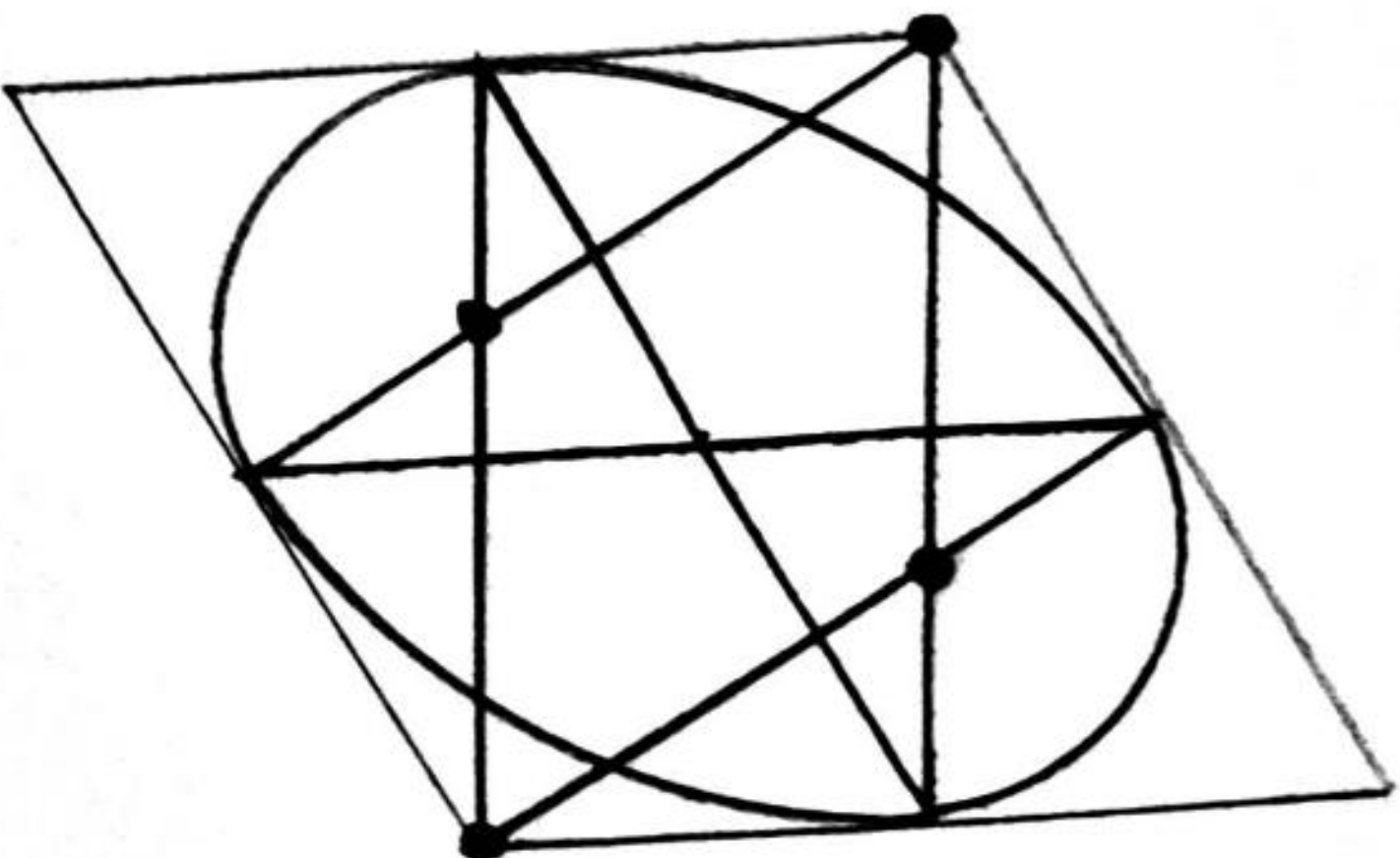
If the circle is top



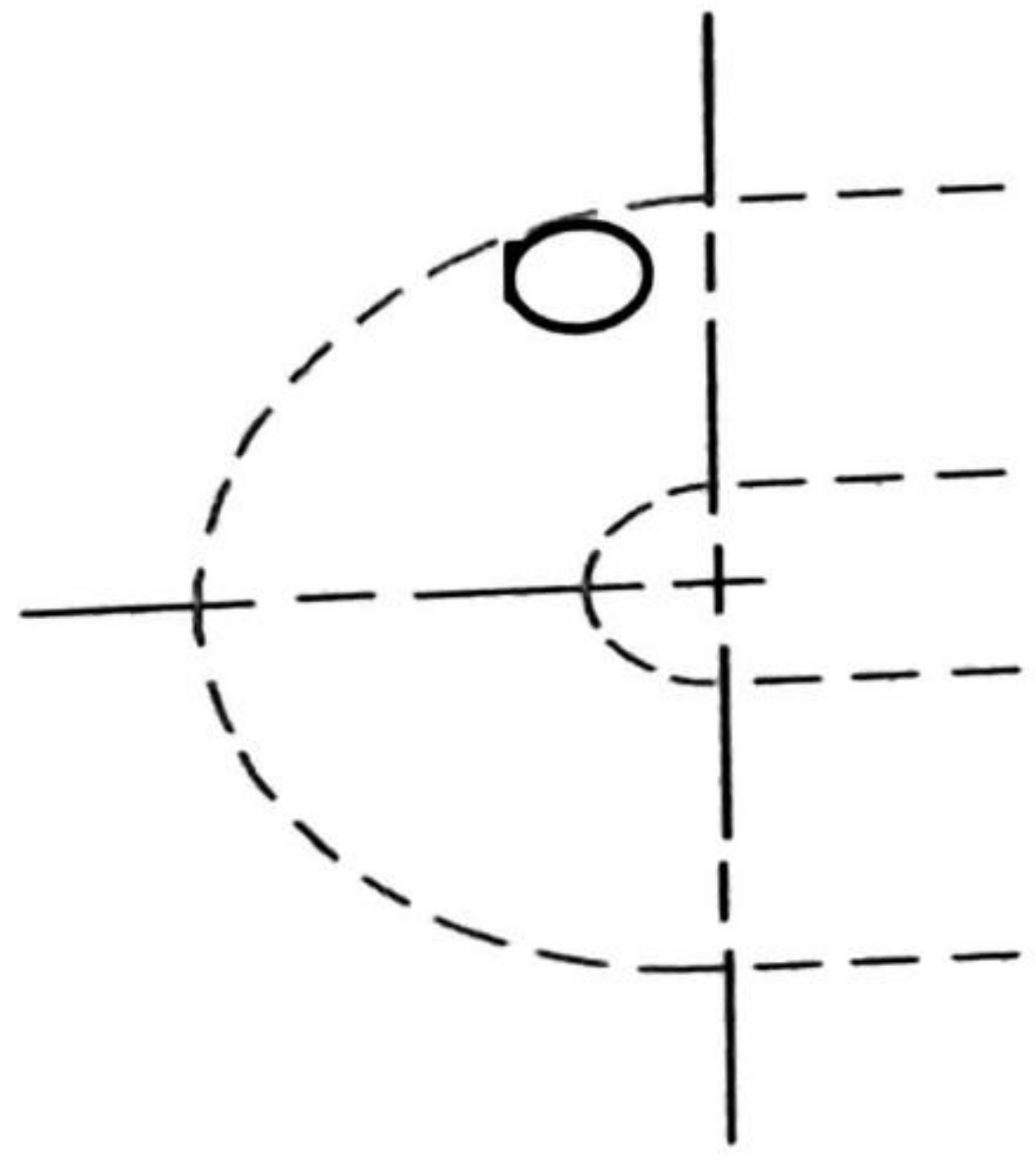
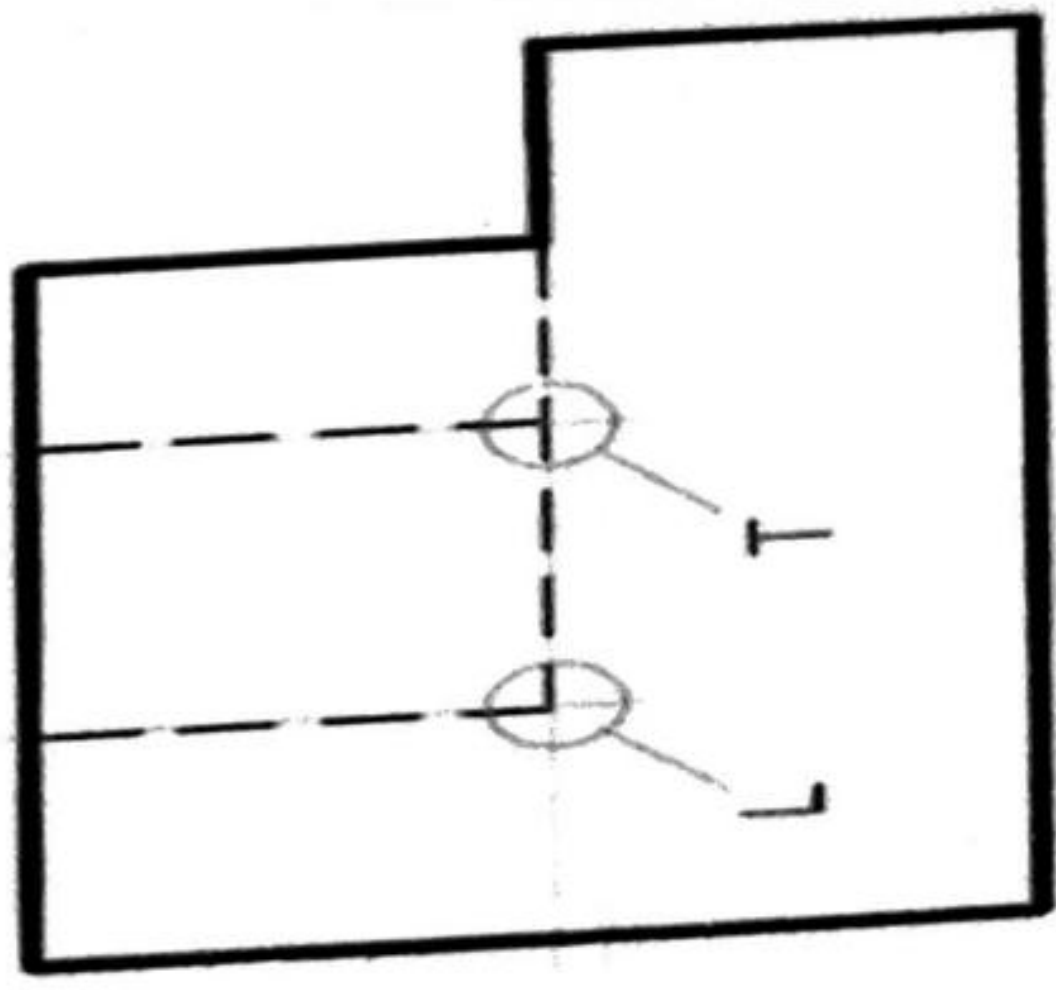
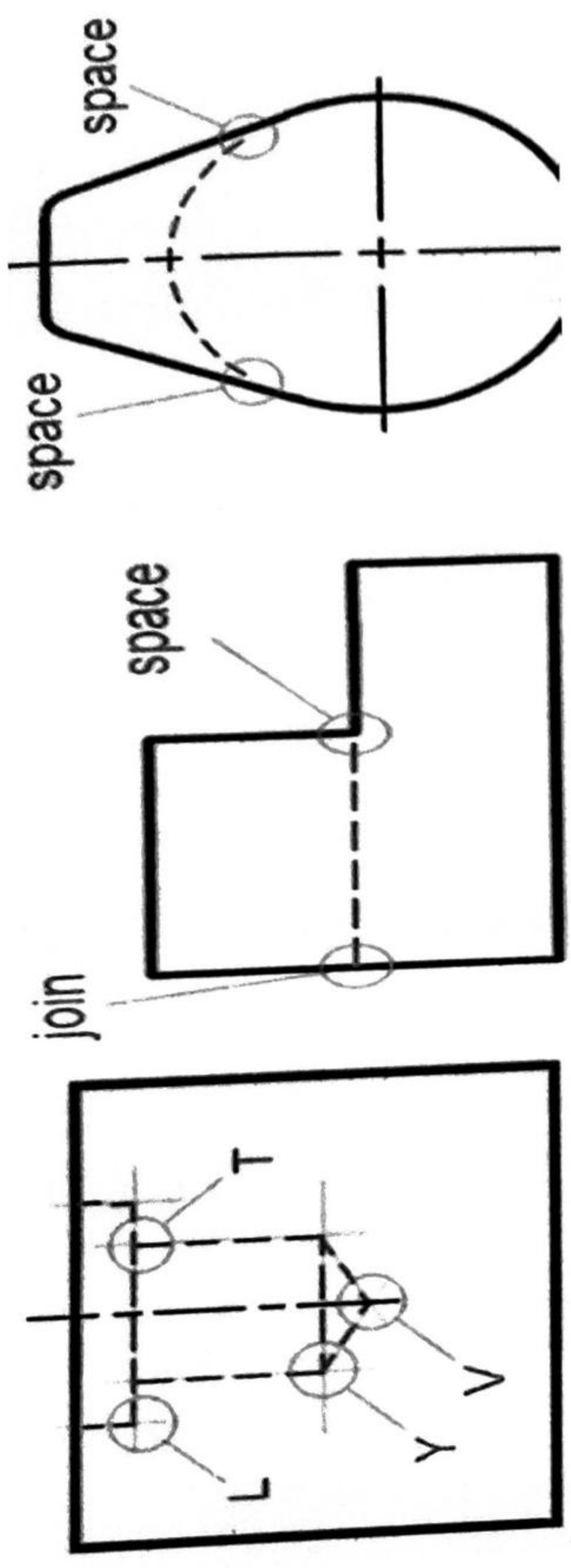
If the circle is in the front



If the circle is in the Right



- Order of importance
(highest to lowest)
- visible line
- hidden line
- center line
- construction line.



- Front in Offset section
- Right in Half section
- Front in Aligned section
- Right in full section

Put the original dimensions