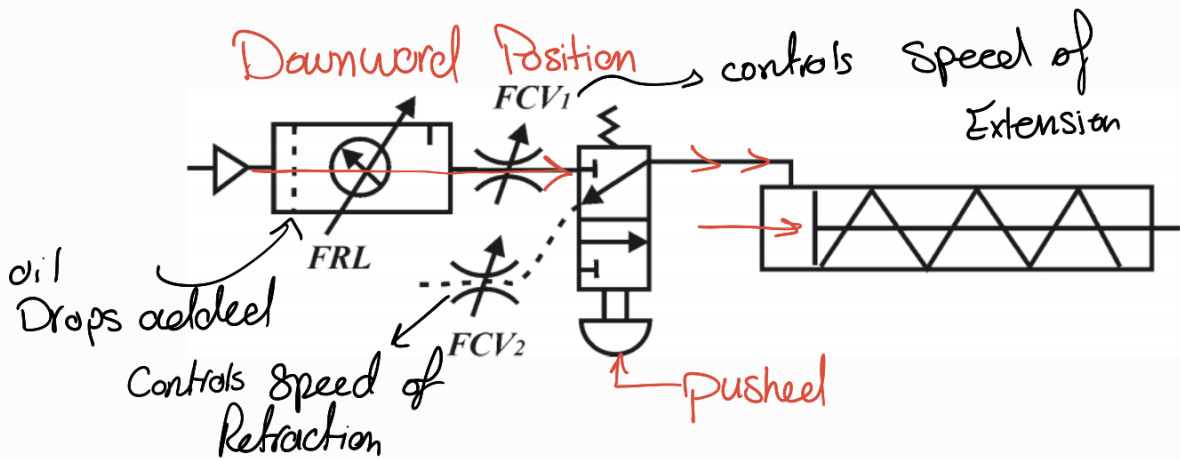
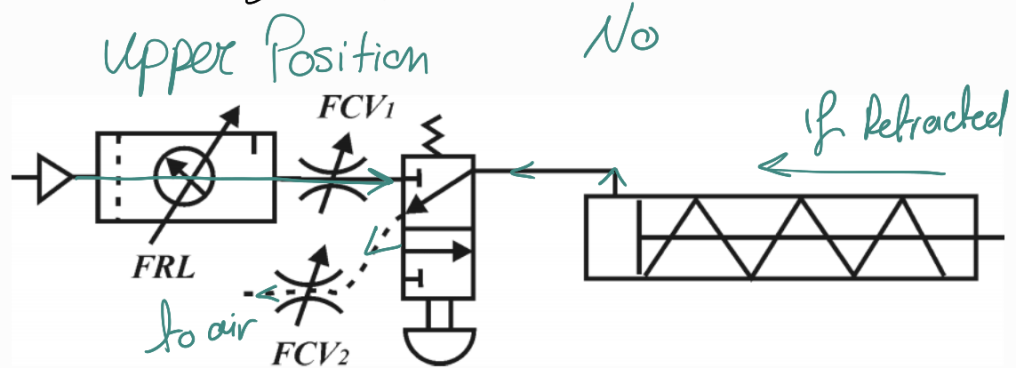
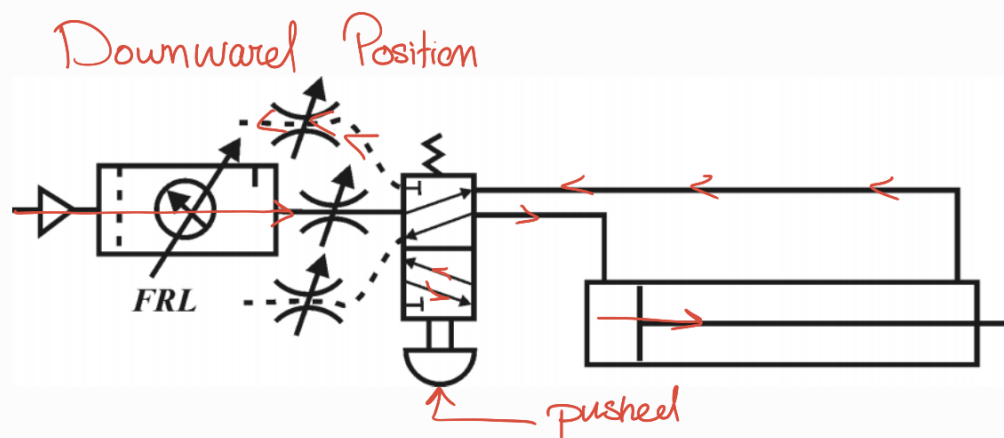
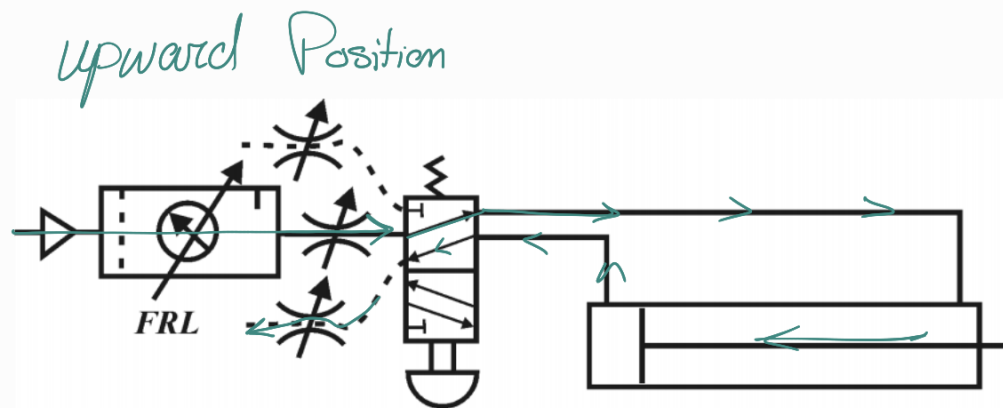


Chapter 6

Single Acting pneumatic cylinder



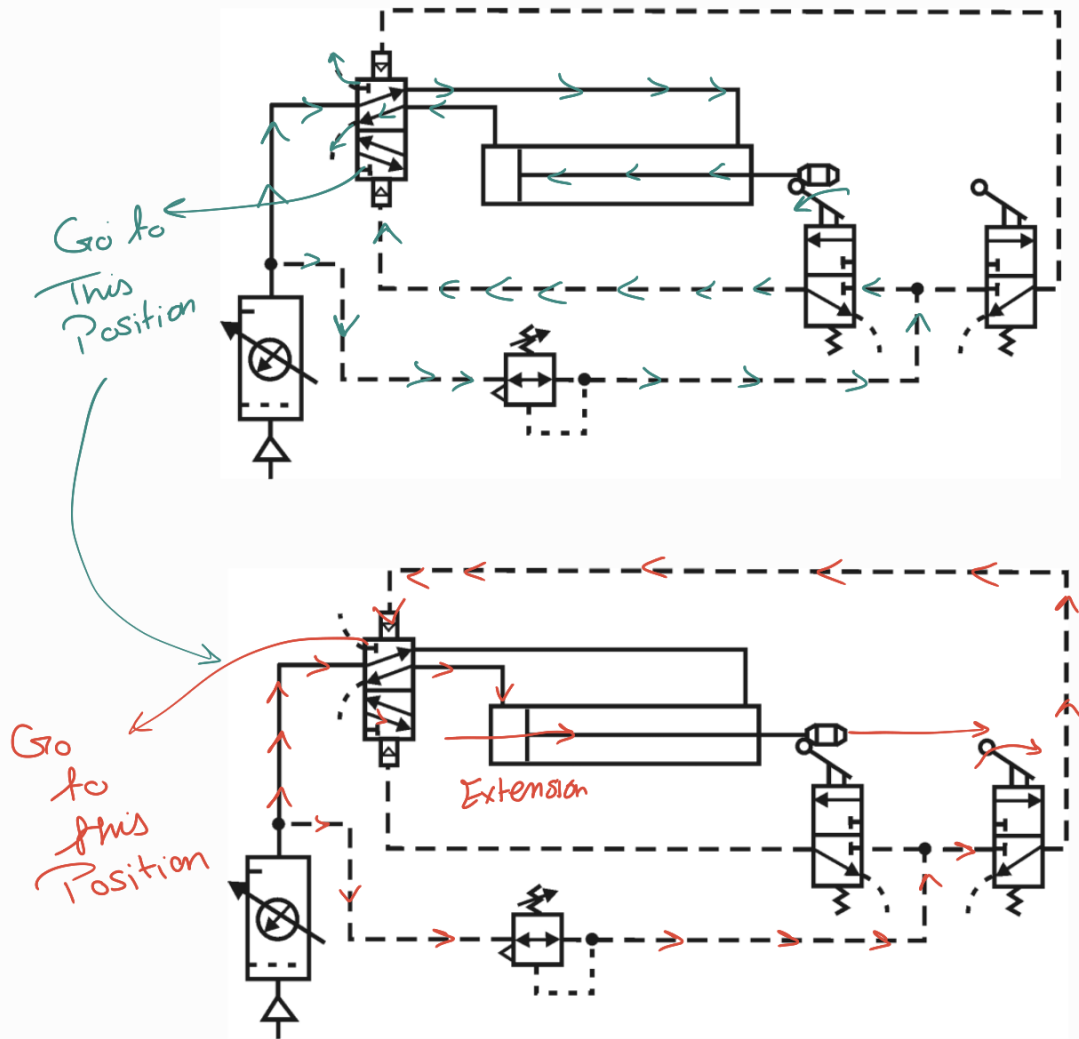
Single Acting pneumatic cylinder



Air Pilot control of pneumatic circuit

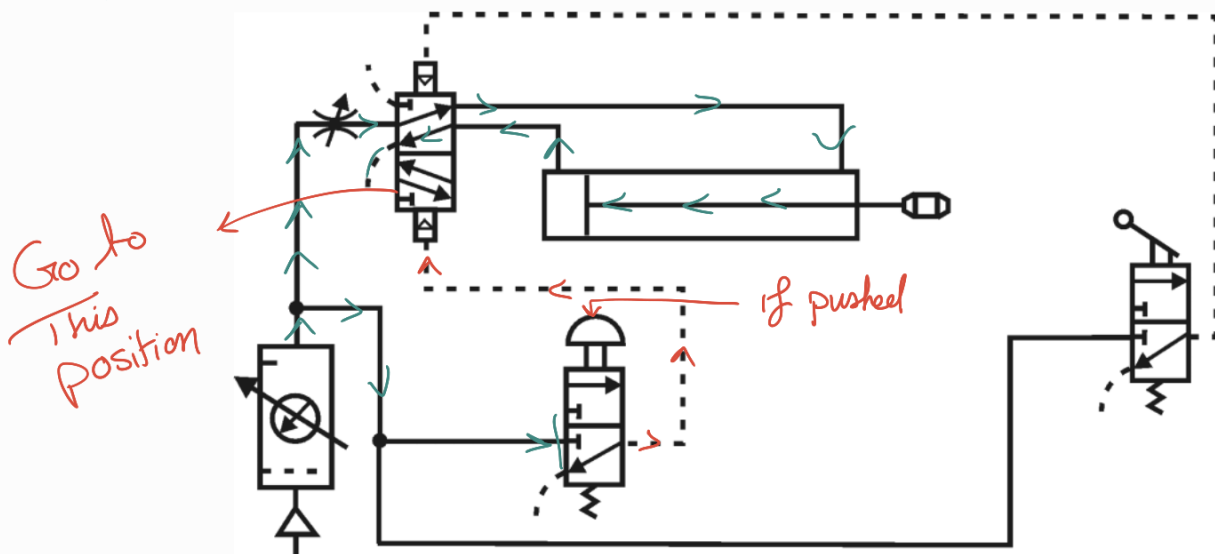
Reciprocating motion

Upper Position

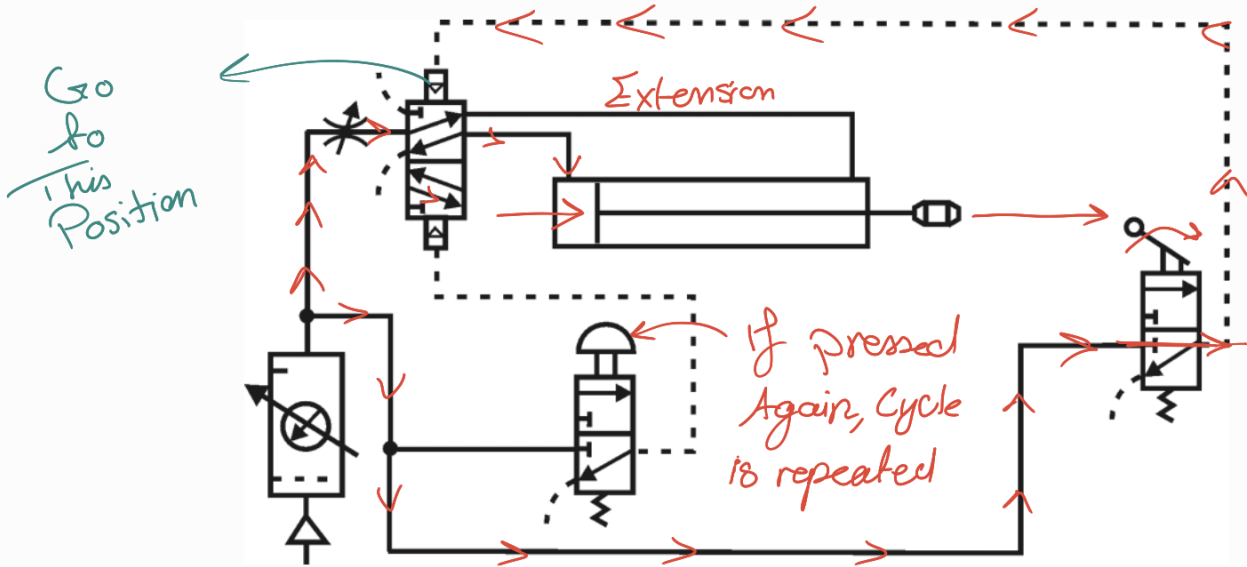


Cycle timing of a pneumatic system

upward Position

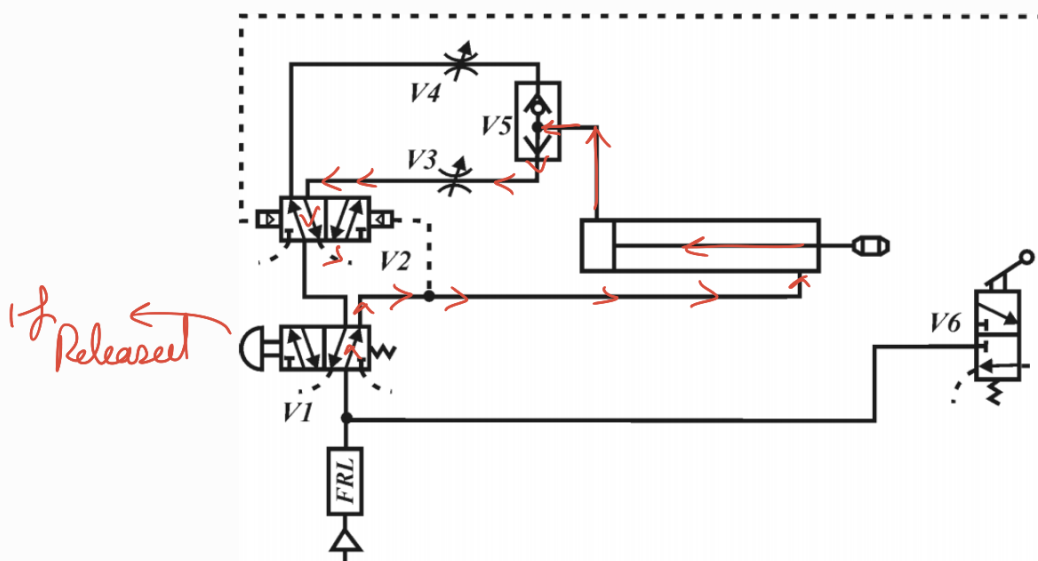
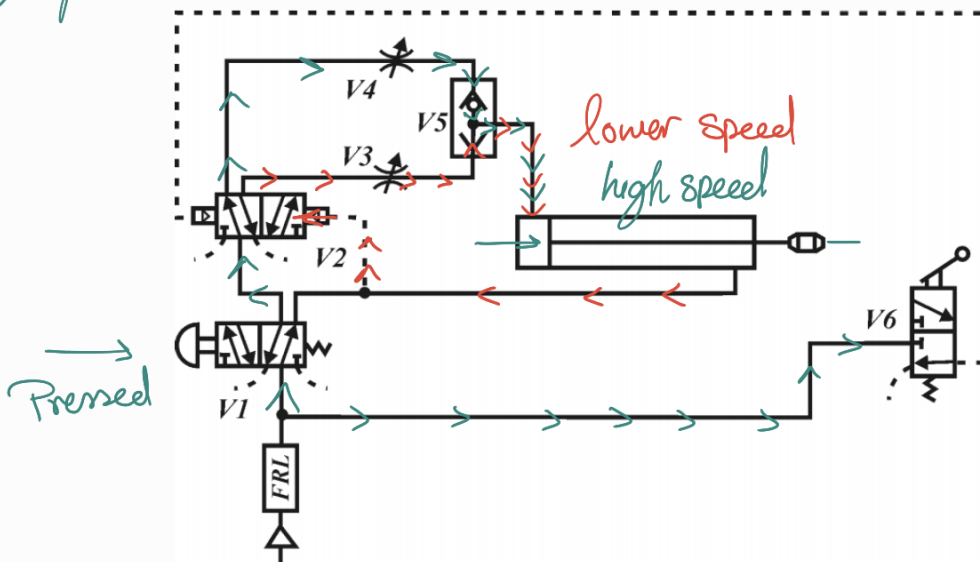


Down Ward Position



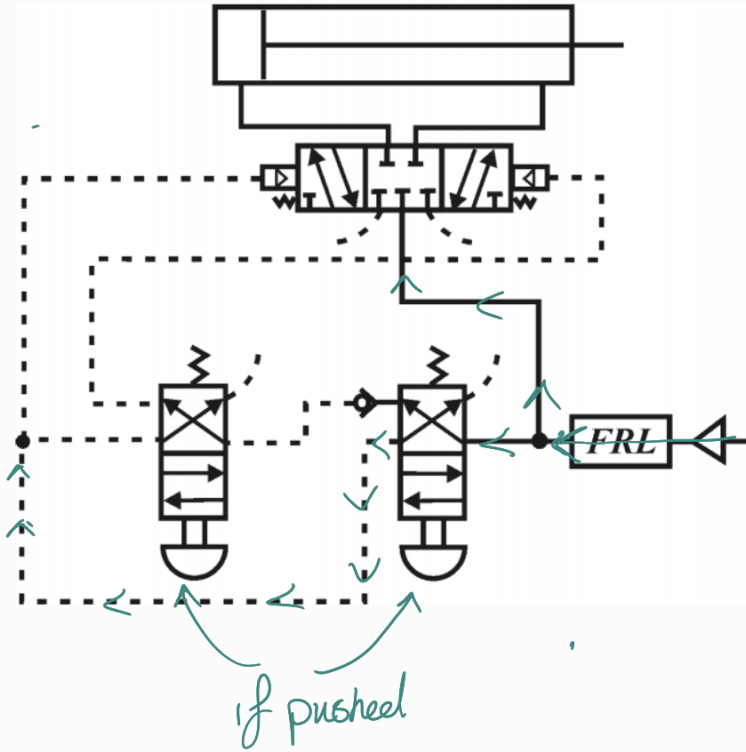
Two Speed pneumatic system

left Position (V1, V2)

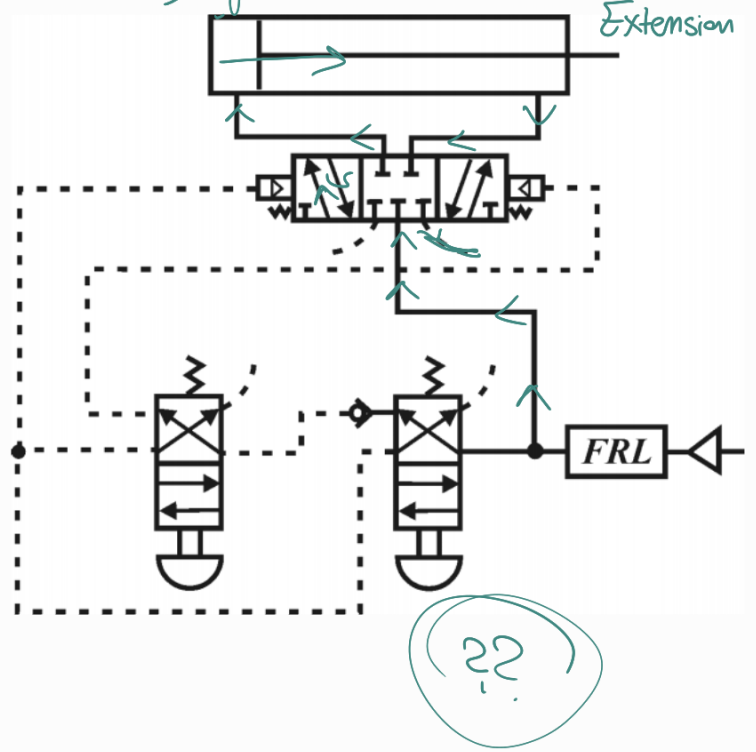


Two handed safety circuit for pneumatic cylinder

Right Position

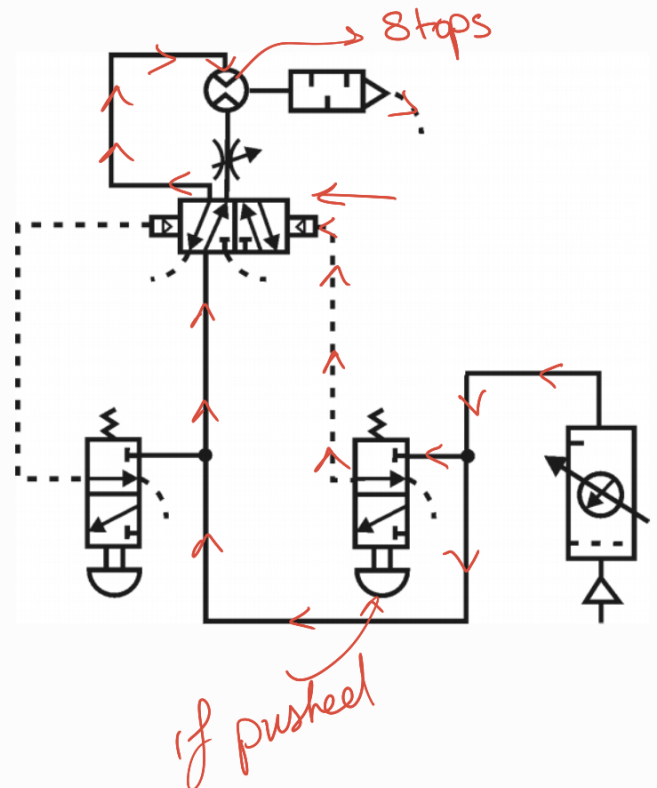
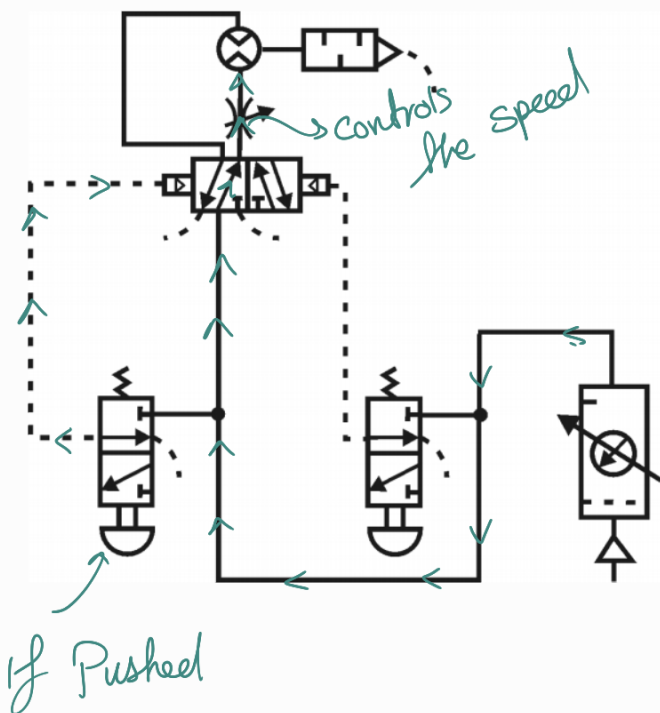


left Position



Control of air motor

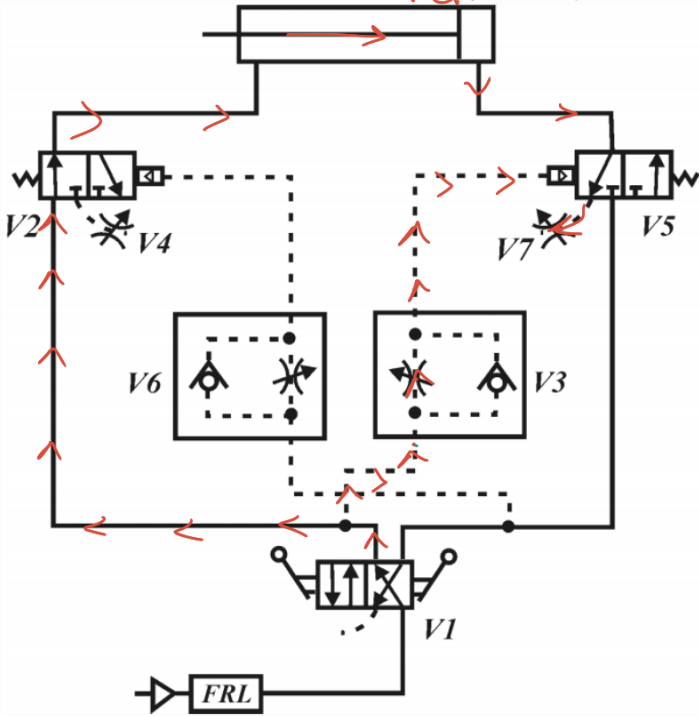
left Position



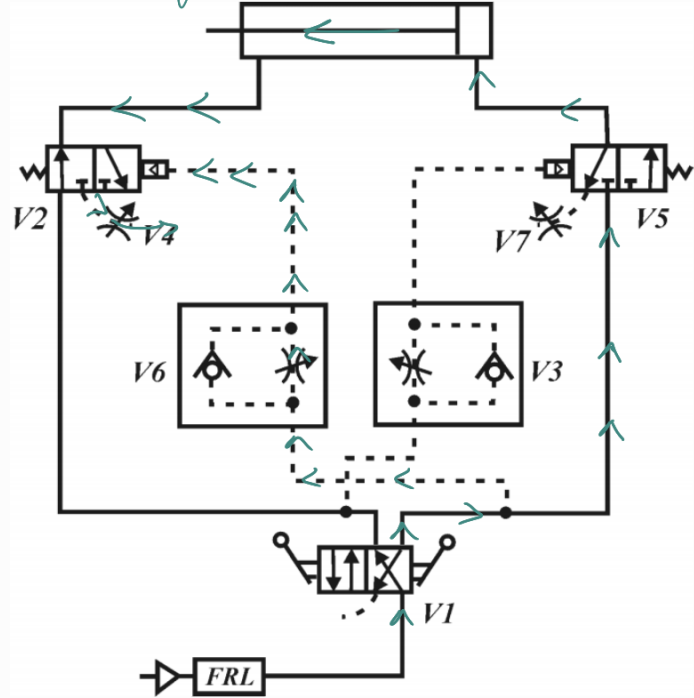
Deceleration of a pneumatic System

Right Position

Retraction

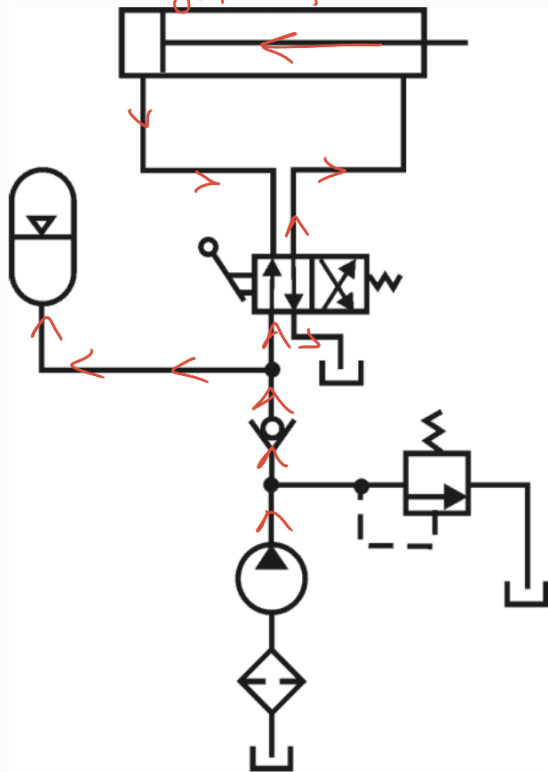


left Position



Gas loaded Accumulator

Right Position



Left position

